



US00D795656S

(12) **United States Design Patent** (10) **Patent No.:** **US D795,656 S**
McFarland et al. (45) **Date of Patent:** **** Aug. 29, 2017**

(54) **DISPOSABLE KNIFE**
(71) Applicant: **Max Packaging**, Attalla, AL (US)
(72) Inventors: **Gary McFarland**, Attalla, AL (US);
Dennis Ashley, Attalla, AL (US);
Frank James, Attalla, AL (US); **Rhys**
McFarland, Attalla, AL (US)
(73) Assignee: **Gadsden Coffee Company Inc.**, Atalla,
AL (US)

(**) Term: **15 Years**

(21) Appl. No.: **29/570,082**

(22) Filed: **Jul. 5, 2016**

(51) **LOC (10) Cl.** **07-03**

(52) **U.S. Cl.**
USPC **D7/650; D7/401.2; D7/642; D7/645;**
D7/649

(58) **Field of Classification Search**
USPC D7/368, 401.2, 642–664, 669, 675–677,
D7/683, 688–689, 691; D8/107,
D8/300–301; D22/117–118
CPC ... A01D 9/02; A01D 9/04; A01D 9/06; A47G
21/00; A47G 21/004; A47G 21/005;
A47G 21/02; A47G 21/023; A47G 21/04;
A47G 21/06; A47G 21/08; A47J 43/28;
A47J 43/281; A47J 43/282; A61F 13/10;
A61J 7/0023; B25G 1/00; B25G 1/01;
B25G 1/02; B25G 3/00; B65D 75/56;
B65D 75/563; B65D 75/566; B67B 7/00;
B67B 7/724; B67B 7/73
See application file for complete search history.

(56) **References Cited**
U.S. PATENT DOCUMENTS

D216,496 S * 1/1970 Wentzel D7/649
D231,071 S * 4/1974 Hill D7/650

D252,315 S * 7/1979 Dart D7/650
D506,647 S * 6/2005 McMullin D7/650
D533,033 S * 12/2006 Wagner D7/650
D554,952 S * 11/2007 Smith D7/664
D554,953 S * 11/2007 Smith D7/664
D592,465 S * 5/2009 Coppo D7/649
D608,143 S * 1/2010 Kasper D7/401.2
D628,436 S * 12/2010 Koennecke D7/401.2
D752,398 S * 3/2016 Mou D7/645
D778,121 S * 2/2017 Mou D7/401.2
2010/0000096 A1* 1/2010 Muehlemann A47G 21/02
30/165

* cited by examiner

Primary Examiner — Ricky Pham

(74) *Attorney, Agent, or Firm* — Michael Indrajana, Esq.

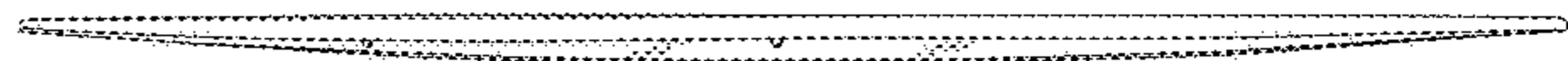
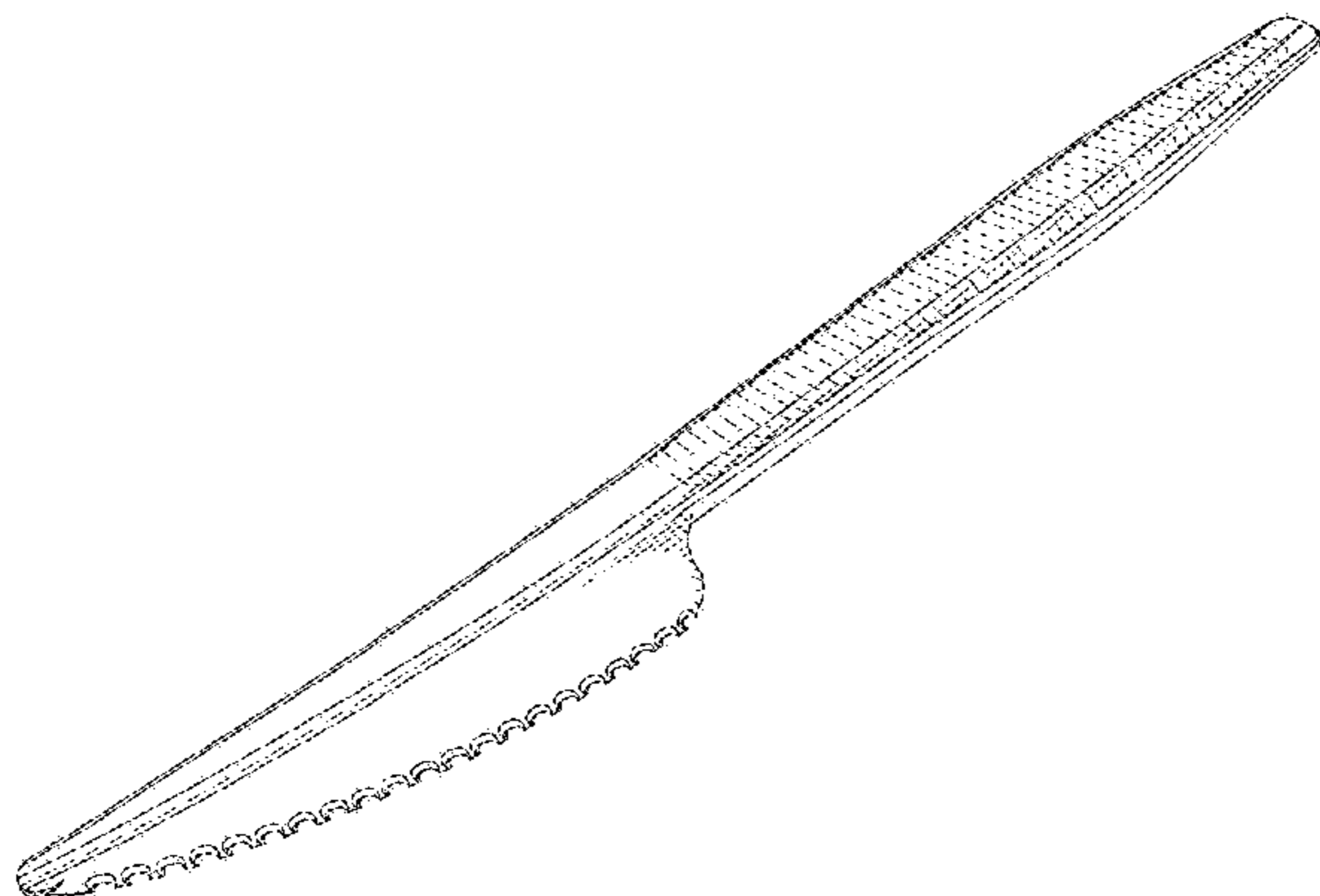
(57) **CLAIM**

The ornamental design for a disposable knife, as shown and described.

DESCRIPTION

FIG. 1 is a perspective view of a disposable knife incorporating the new design.
FIG. 2 is an alternate perspective view of a disposable knife incorporating the new design.
FIG. 3 is a top view of a disposable knife incorporating the new design.
FIG. 4 is a bottom view of a disposable knife incorporating the new design.
FIG. 5 is a right view of a disposable knife incorporating the new design.
FIG. 6 is a left view of a disposable knife incorporating the new design.
FIG. 7 is a rear view of a disposable knife incorporating the new design; and,
FIG. 8 is a front view of a disposable knife incorporating the new design.

1 Claim, 8 Drawing Sheets



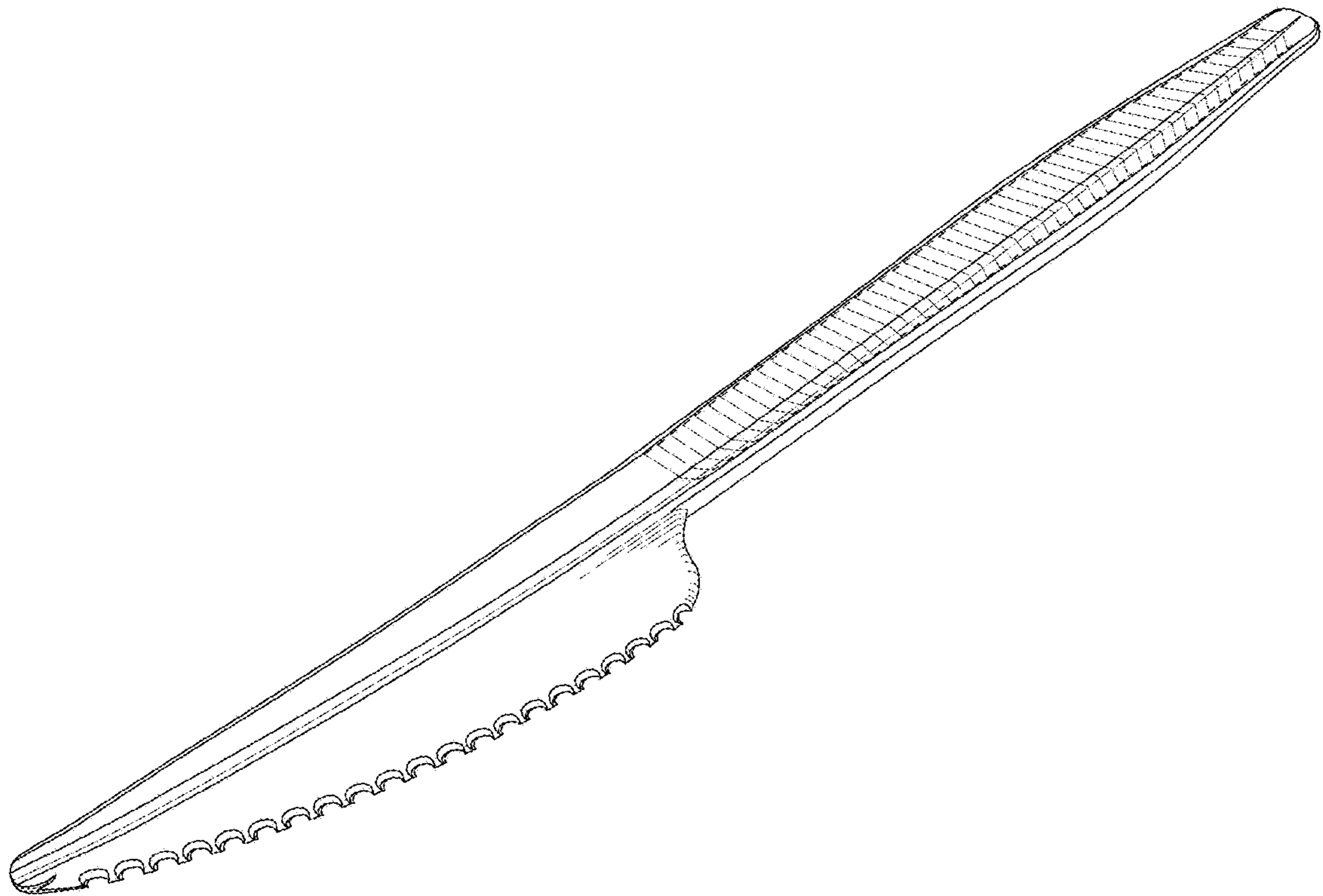


FIG. 01

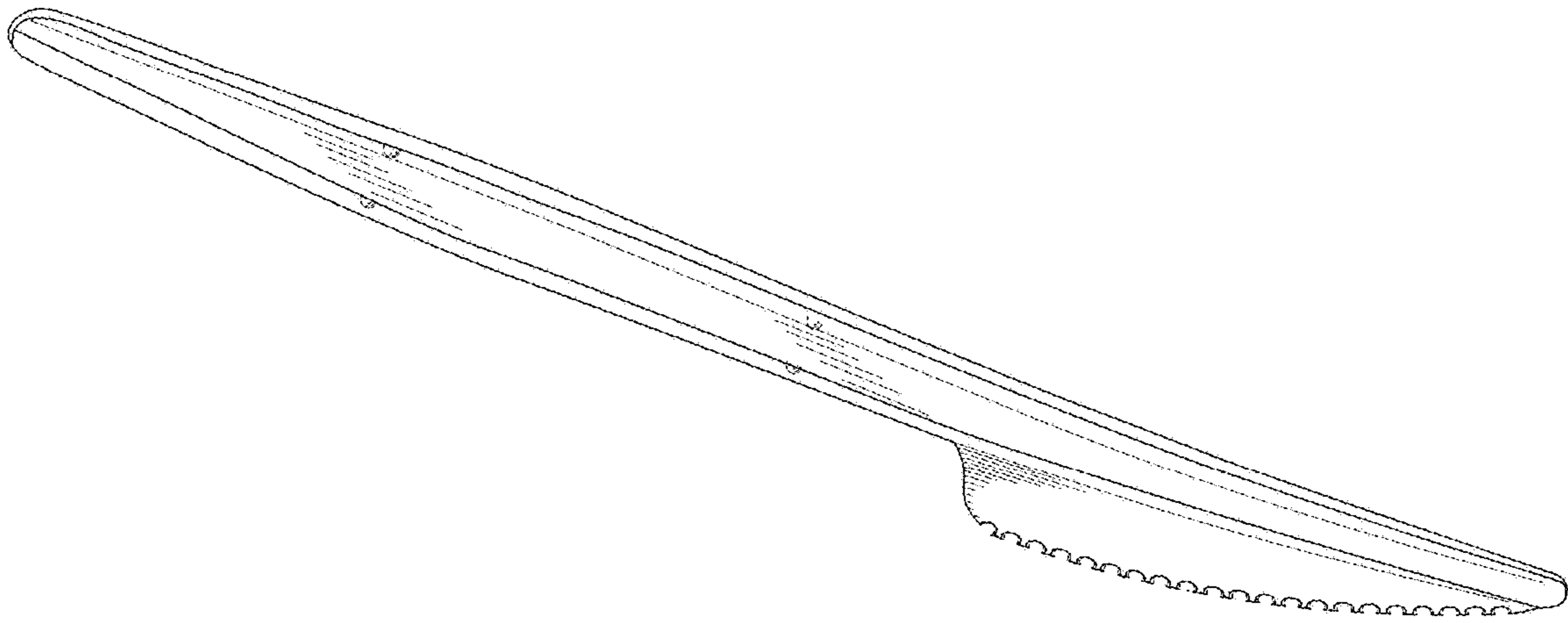


FIG. 02

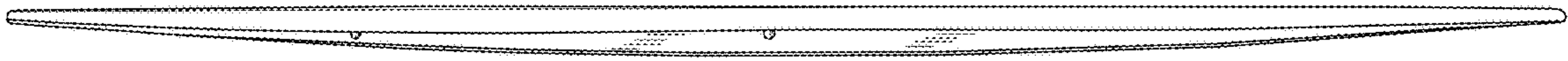


FIG. 03

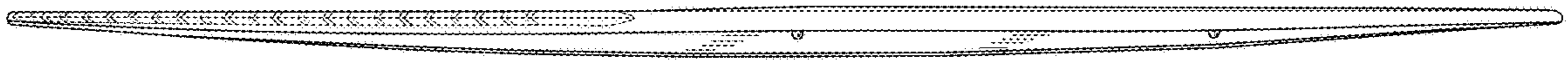


FIG. 04

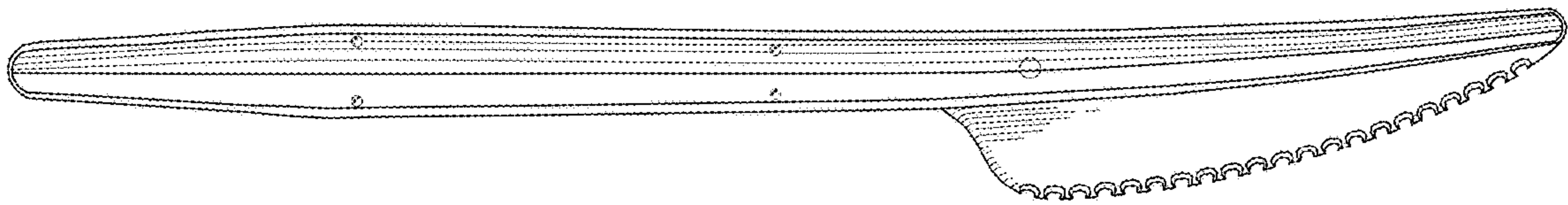


FIG. 05

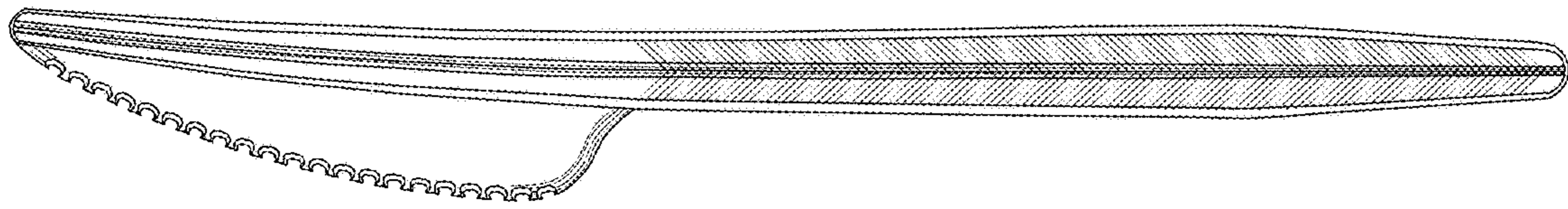


FIG. 06

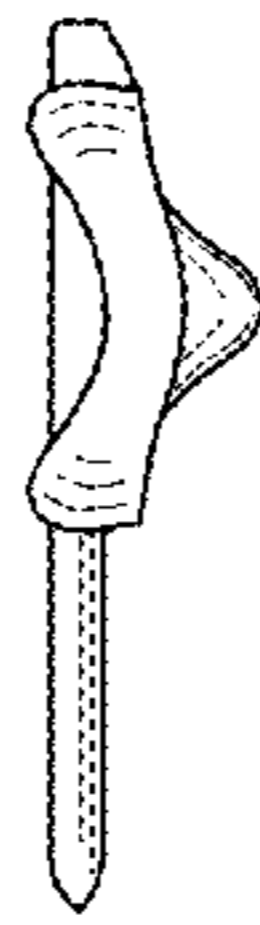


FIG. 07

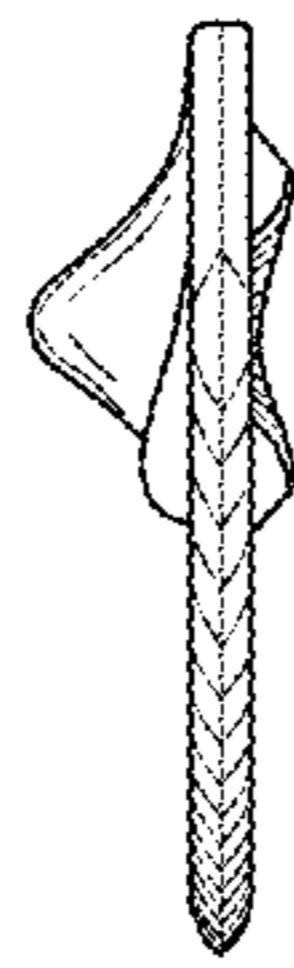


FIG. 08