



US00D795652S

(12) **United States Design Patent**  
**Burns**

(10) **Patent No.:** **US D795,652 S**

(45) **Date of Patent:** **\*\* Aug. 29, 2017**

(54) **SQUARE ATMOSPHERIC DISH**  
(71) Applicant: **Duncan Burns**, Santa Monica, CA (US)  
(72) Inventor: **Duncan Burns**, Santa Monica, CA (US)  
(73) Assignee: **Duncan Burns**, Santa Monica, CA (US)

(\*\*) Term: **15 Years**

(21) Appl. No.: **29/550,872**

(22) Filed: **Jan. 7, 2016**

(51) **LOC (10) Cl.** ..... **07-01**

(52) **U.S. Cl.**  
USPC ..... **D7/538**

(58) **Field of Classification Search**  
USPC ..... D7/538, 500, 505, 539, 543, 57, 581,  
D7/629, 540, 541, 555, 603, 602, 609;  
D9/425, 424, 428, 426, 737, 761;  
220/810, 270, 326; 229/406  
CPC ..... A47G 21/001; B65D 43/162; B65D  
43/0249; B65D 43/26  
See application file for complete search history.

(56) **References Cited**

**U.S. PATENT DOCUMENTS**

2,004,449 A \* 6/1935 Stanley ..... B65D 43/0212  
206/819  
D284,437 S \* 7/1986 Zieff ..... D7/502  
D327,201 S \* 6/1992 Gecchelin ..... D7/538  
D375,437 S \* 11/1996 Joergensen ..... D7/502  
D598,740 S \* 8/2009 Auer ..... D9/424

8,215,485 B2 \* 7/2012 Maroofian ..... B65D 75/24  
206/445  
D720,961 S \* 1/2015 Gabriel ..... A47G 19/06  
D7/502  
D742,216 S \* 11/2015 Abbott ..... D9/424  
D766,715 S \* 9/2016 Buck ..... D9/432  
D780,573 S \* 3/2017 Son ..... D9/425

\* cited by examiner

*Primary Examiner* — Cynthia Underwood

(74) *Attorney, Agent, or Firm* — Stefan J. Kirchanski;  
Zuber Lawler & Del Duca LLP

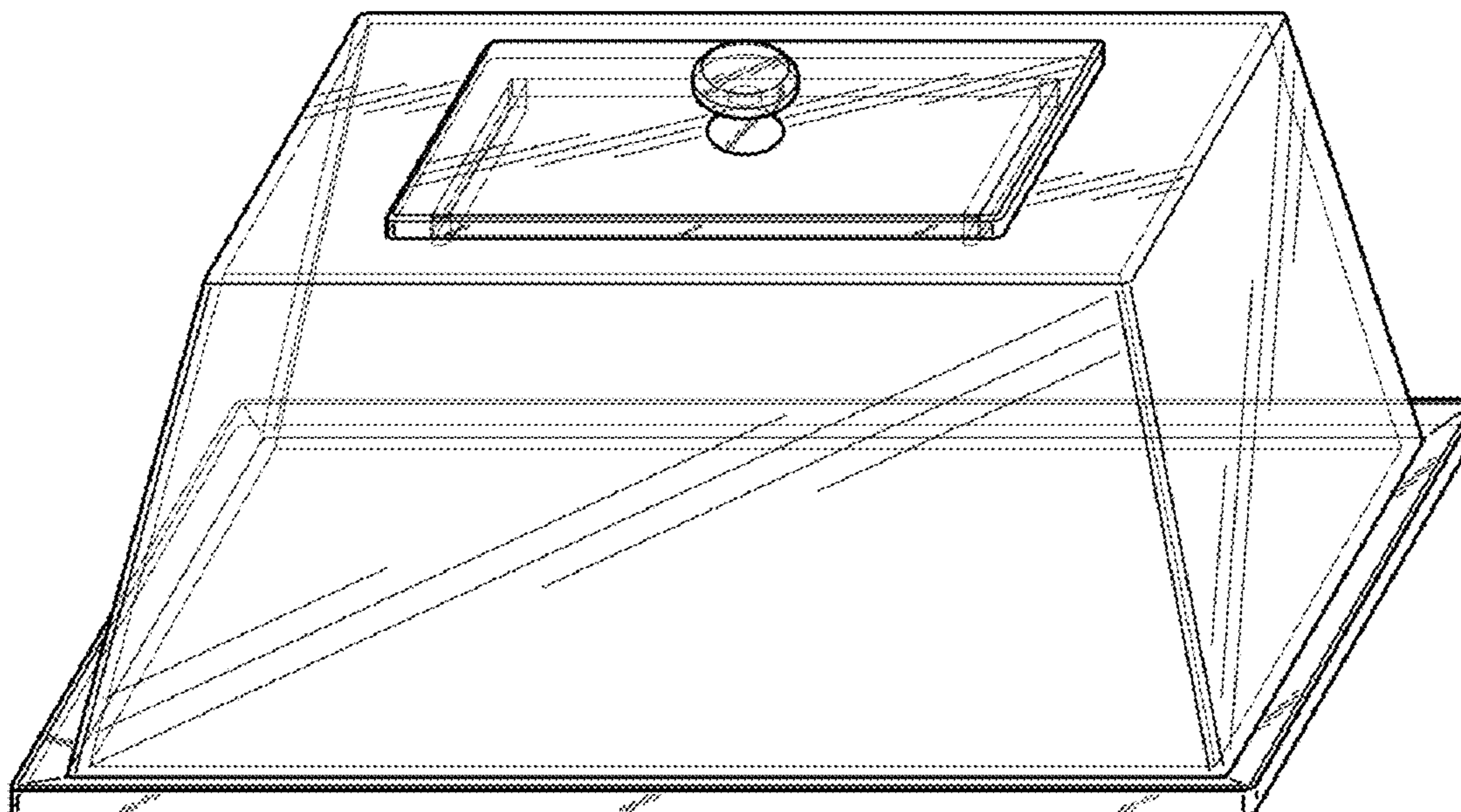
(57) **CLAIM**

The ornamental design for a square atmospheric dish, as shown and described.

**DESCRIPTION**

FIG. 1 is a top perspective view of a square atmospheric dish showing my design;  
FIG. 2 is a left side view of the square atmospheric dish of FIG. 1;  
FIG. 3 is a right side view of the square atmospheric dish of FIG. 1;  
FIG. 4 is a front view of the square atmospheric dish of FIG. 1;  
FIG. 5 is a back view of the square atmospheric dish of FIG. 1;  
FIG. 6 is a top view of the square atmospheric dish of FIG. 1; and,  
FIG. 7 is a bottom view of the square atmospheric dish of FIG. 1.

**1 Claim, 7 Drawing Sheets**



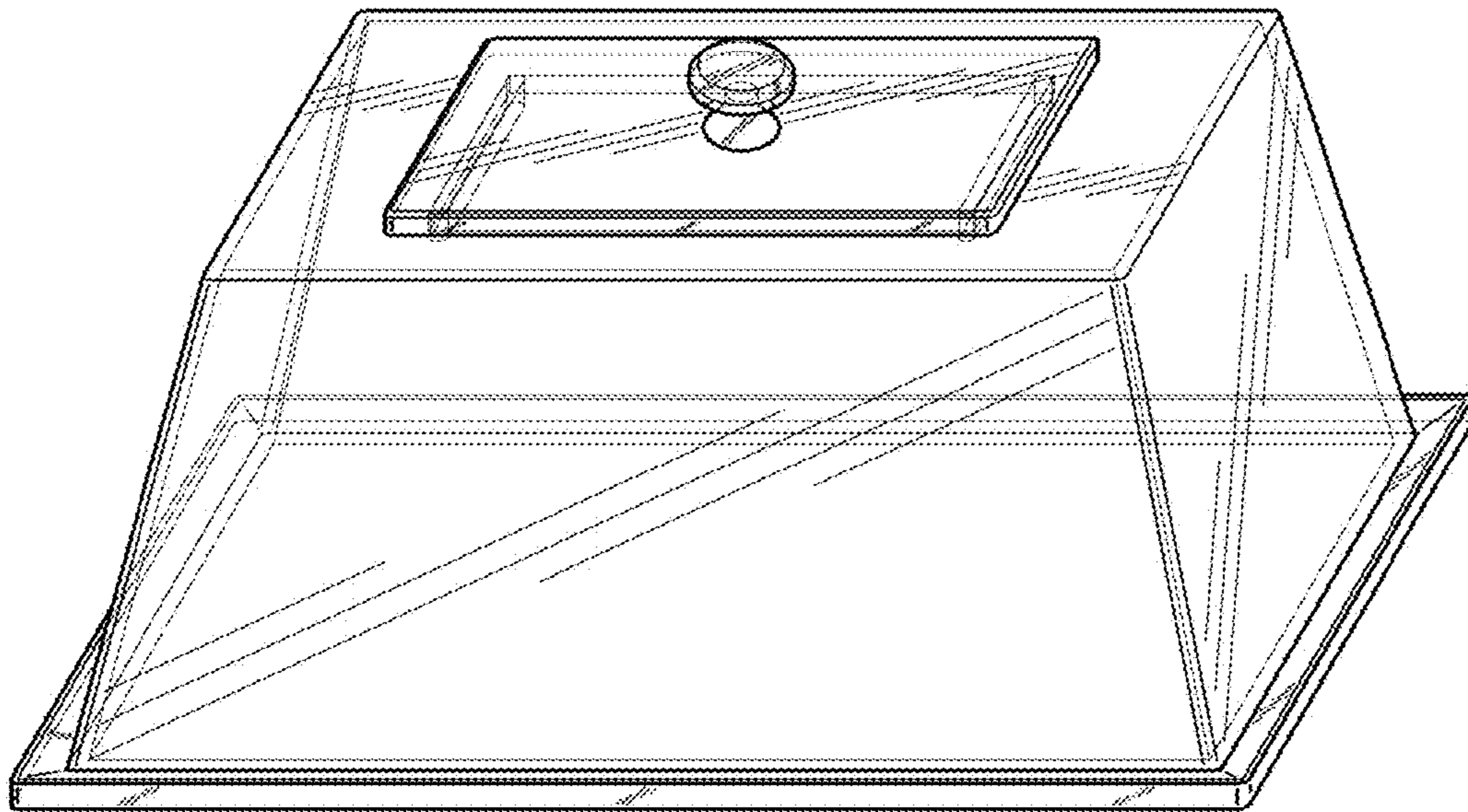


FIG. 1

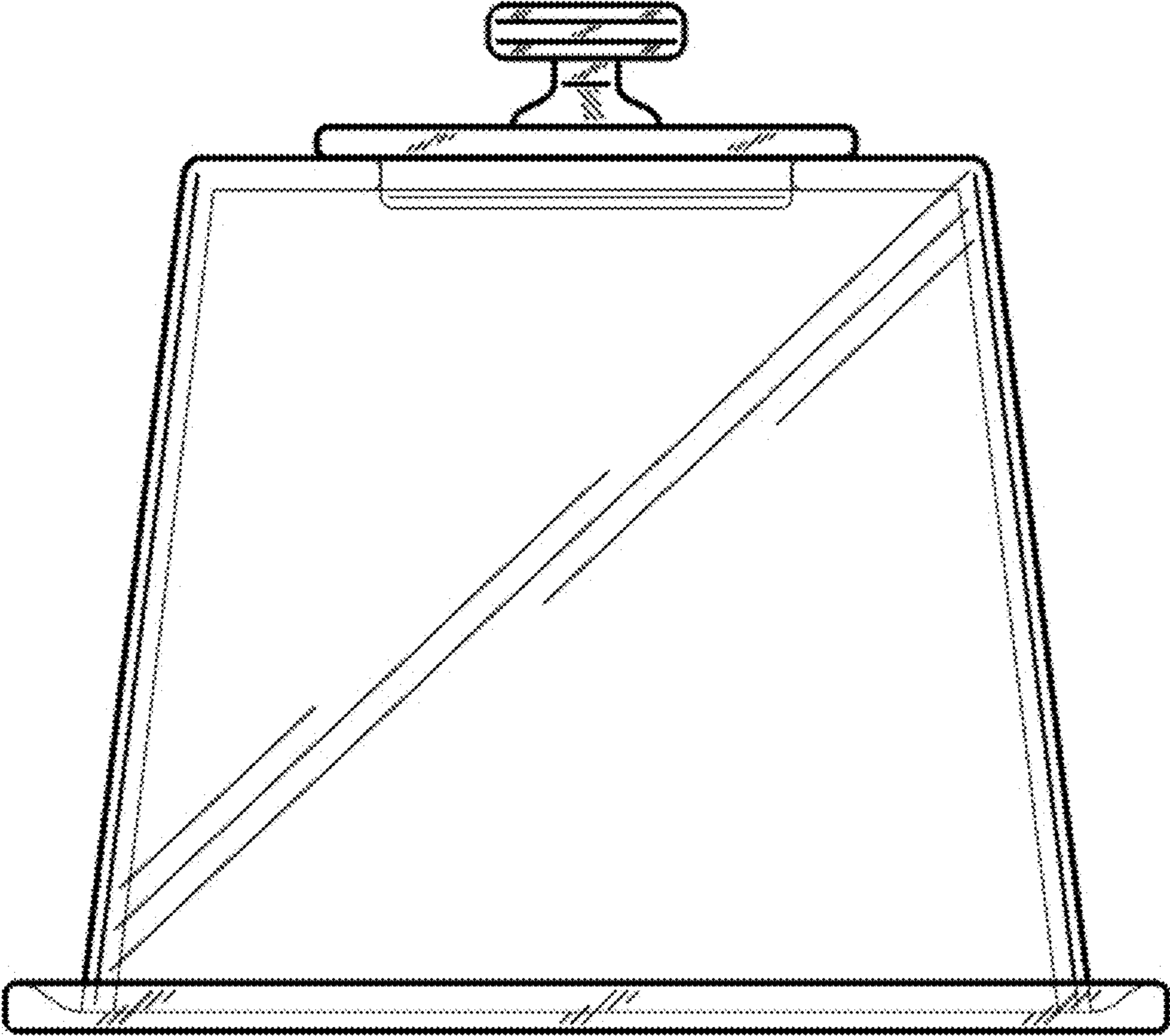


FIG. 2

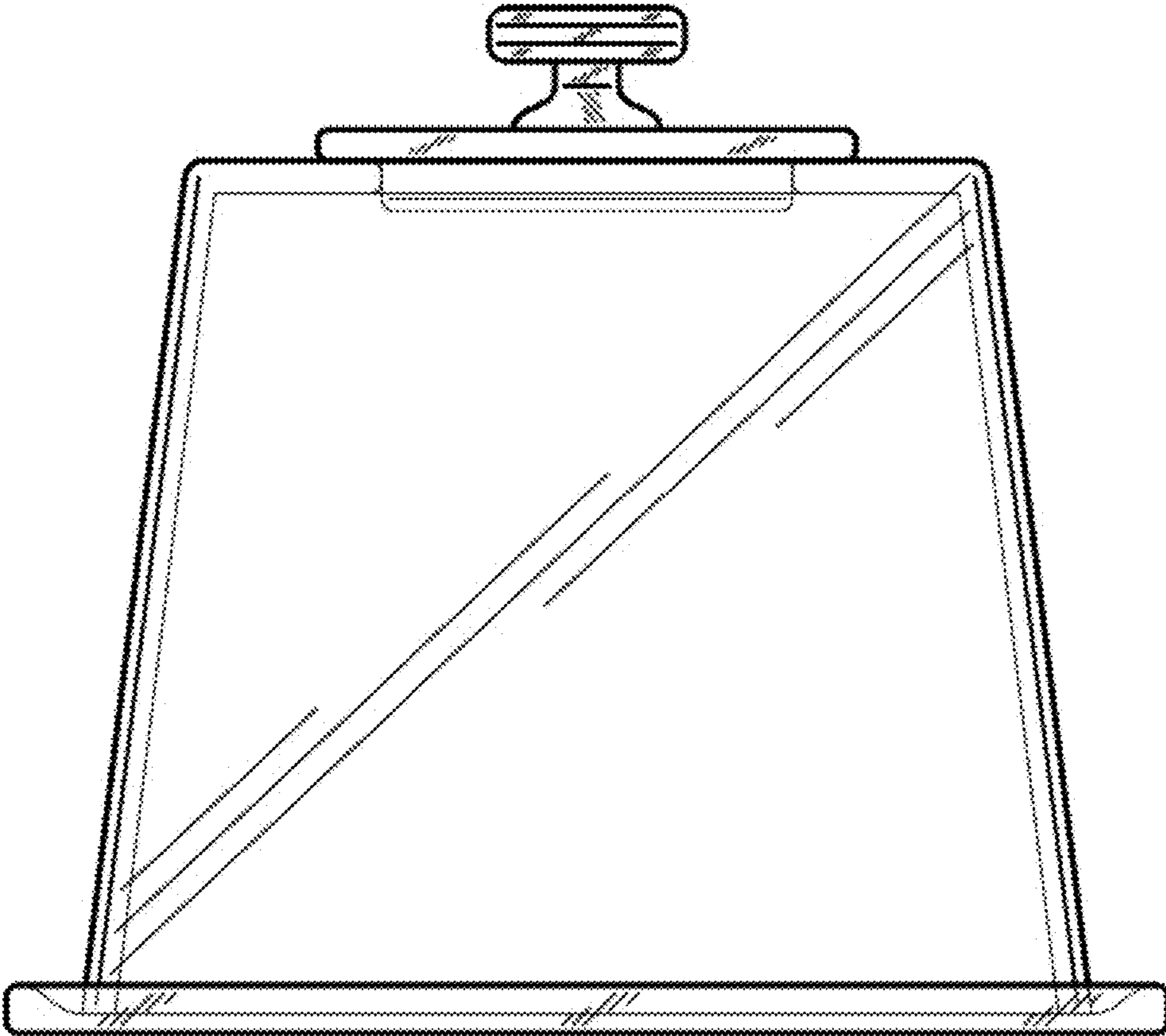


FIG. 3

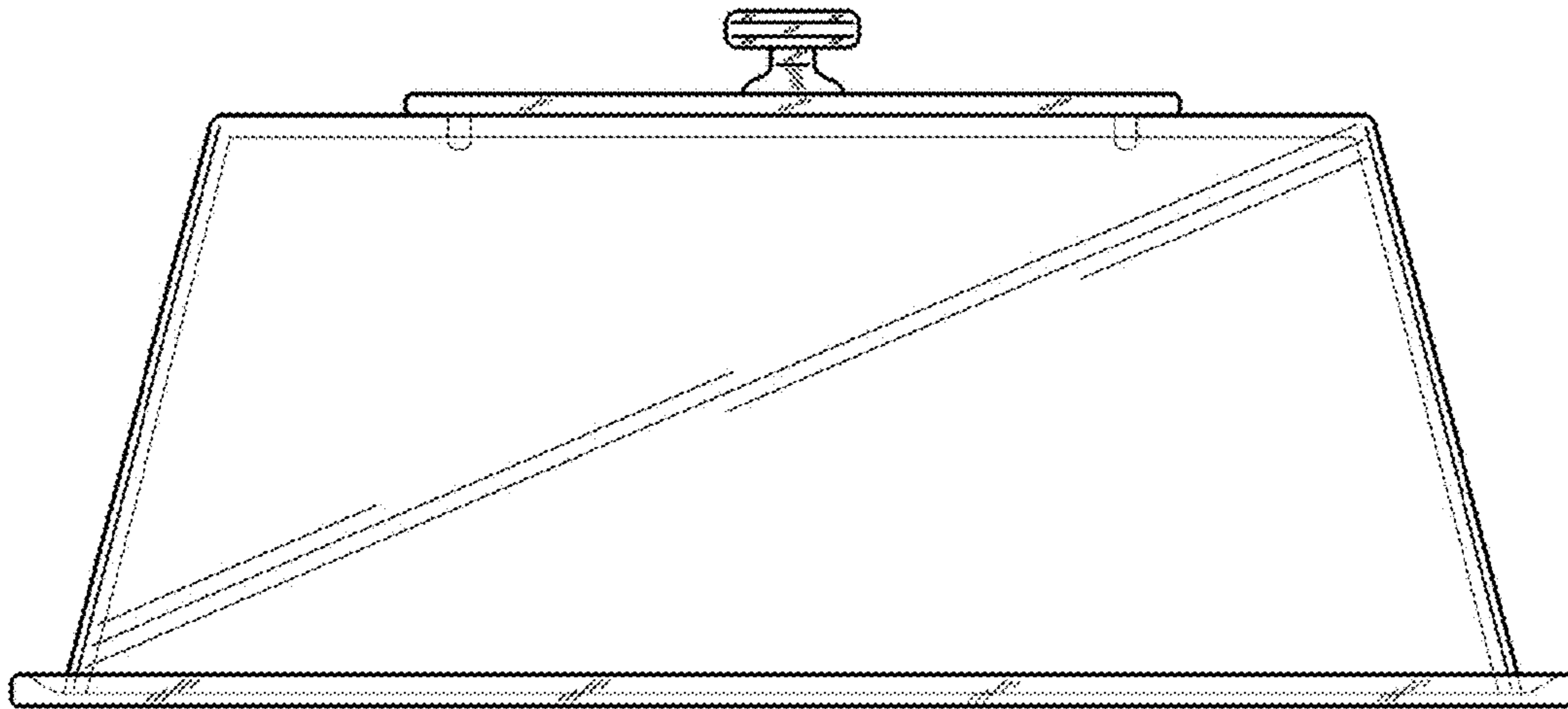


FIG. 4

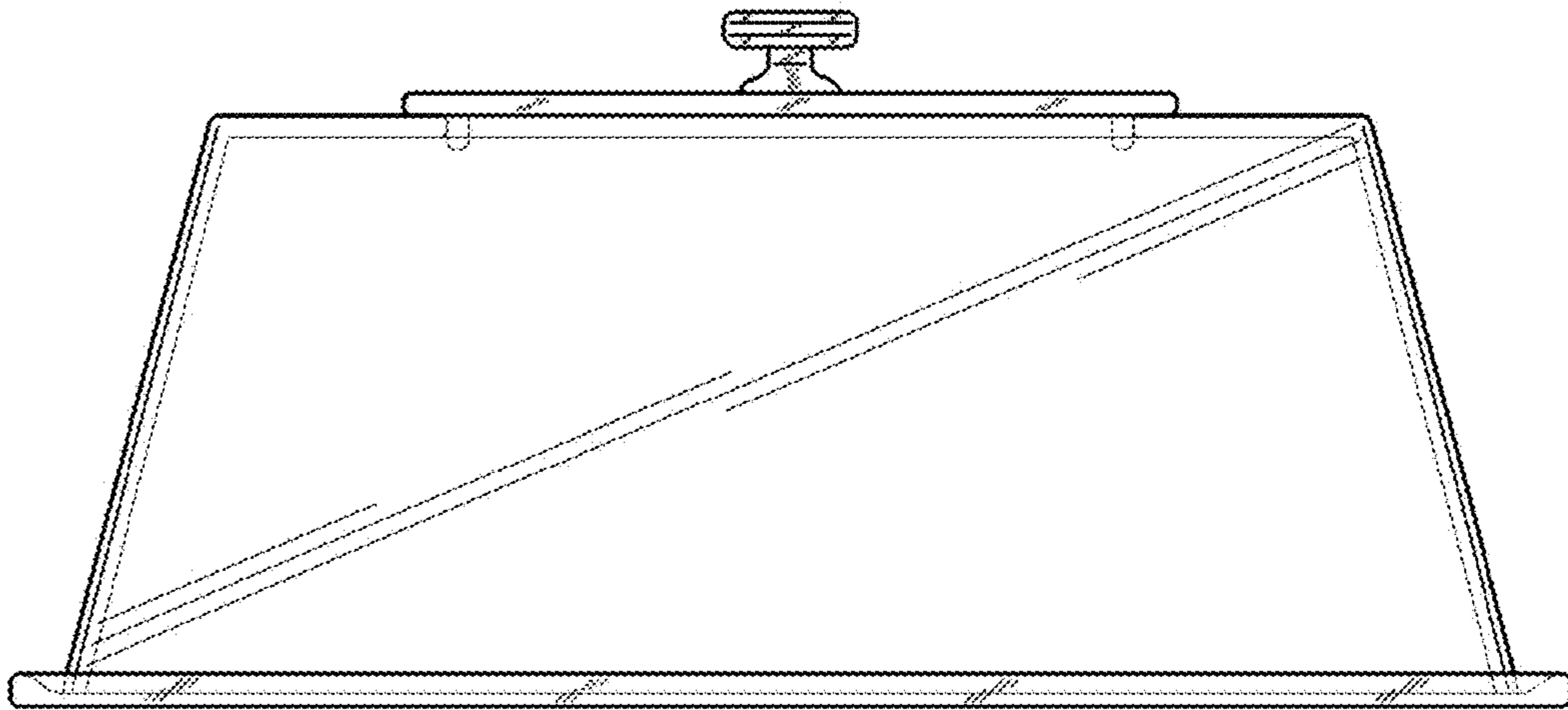


FIG. 5

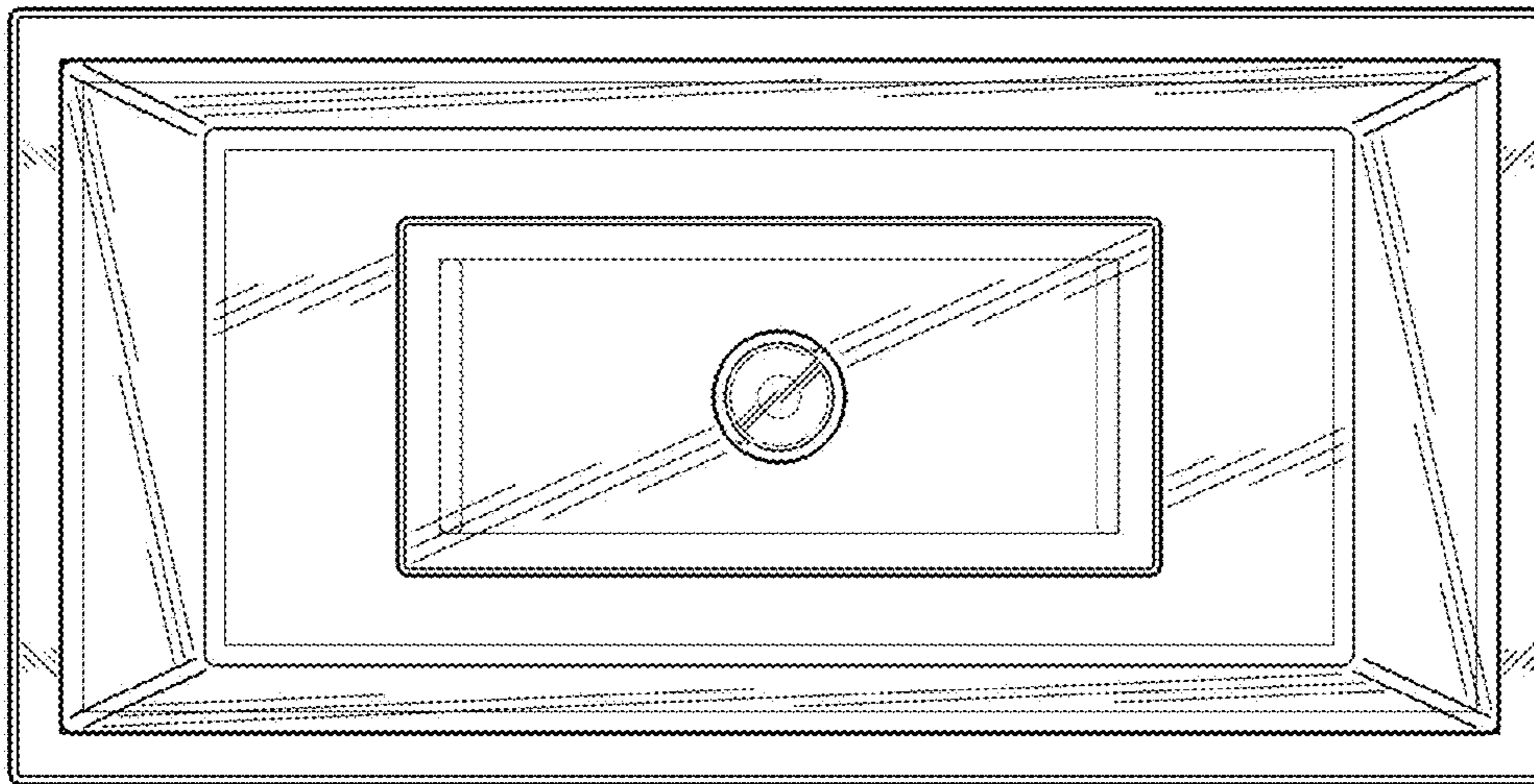


FIG. 6

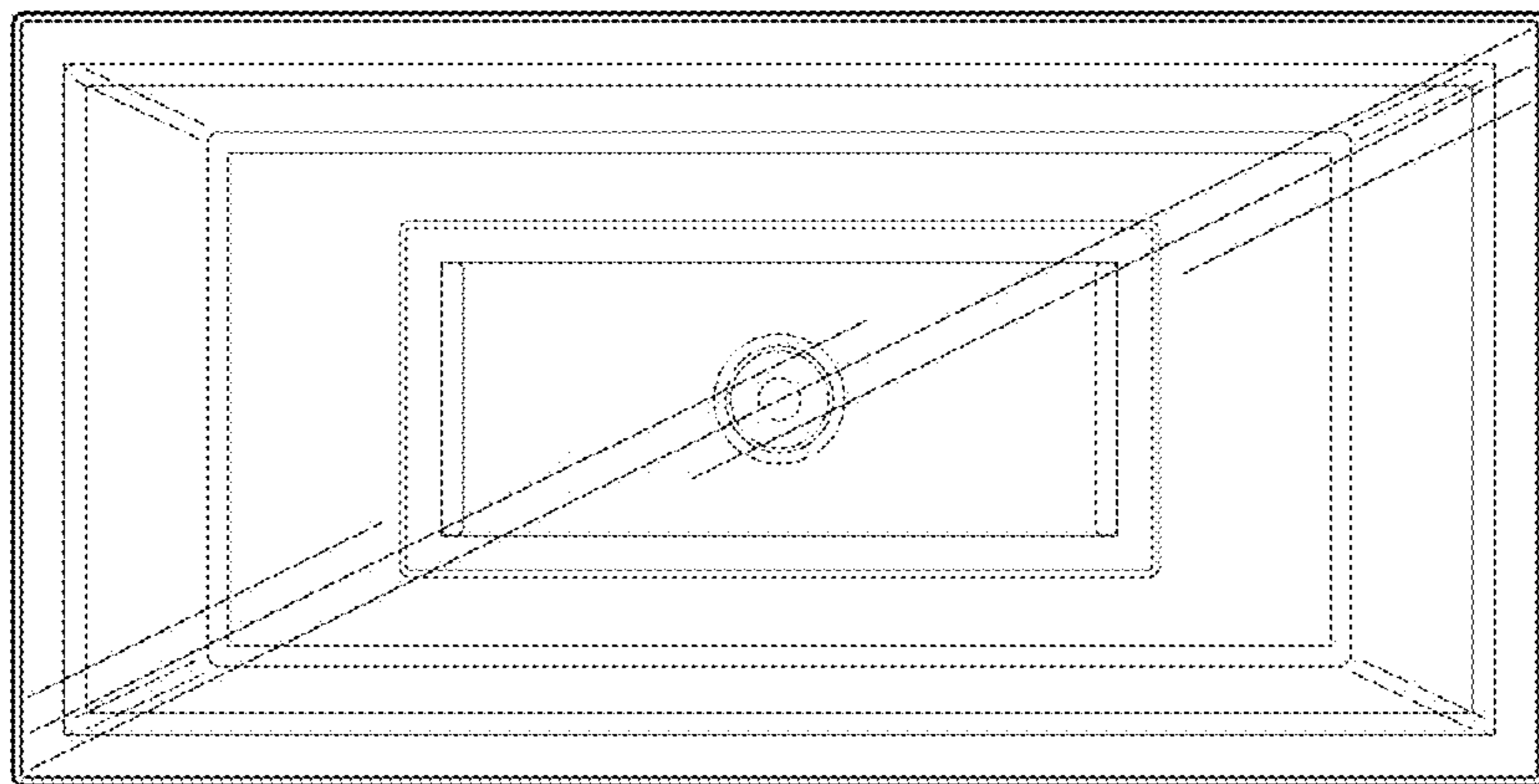


FIG. 7