

US00D795651S

(12) **United States Design Patent** (10) **Patent No.:** **US D795,651 S**  
**Cimmerer et al.** (45) **Date of Patent:** **\*\* Aug. 29, 2017**

(54) **TAMPER EVIDENT PLASTIC FOOD CONTAINER**

(71) Applicant: **Anchor Packaging**, St. Louis, MO (US)

(72) Inventors: **Tim Cimmerer**, Paragould, AR (US); **Kevin R. Krueger**, Fenton, MO (US); **Mike Pohlman**, Valley Park, MO (US)

(73) Assignee: **Anchor Packaging, Inc.**, St. Louis, MO (US)

(\*\*) Term: **15 Years**

(21) Appl. No.: **29/536,250**

(22) Filed: **Aug. 14, 2015**

**Related U.S. Application Data**

(63) Continuation-in-part of application No. 14/788,024, filed on Jun. 30, 2015, and a continuation-in-part of (Continued)

(51) **LOC (10) Cl.** ..... **07-01**

(52) **U.S. Cl.**  
USPC ..... **D7/538**

(58) **Field of Classification Search**  
USPC ..... D7/538, 500, 425, 424, 428, 505, 539, D7/543, 57, 581, 629; D9/425, 424, 428; 220/810, 270

(Continued)

(56) **References Cited**

**U.S. PATENT DOCUMENTS**

5,242,696 A 9/1993 McDevitt

5,897,011 A 4/1999 Brilliant

(Continued)

**FOREIGN PATENT DOCUMENTS**

EP 1695919 8/2006

EP 2210819 6/2012

(Continued)

**OTHER PUBLICATIONS**

Co-pending U.S. Appl. No. 14/788,024, filed Jun. 30, 2015.

(Continued)

*Primary Examiner* — Cynthia Underwood

(74) *Attorney, Agent, or Firm* — Don V. Kelly; Evans & Dixon, L.L.C.

(57) **CLAIM**

The ornamental design for a tamper evident plastic food container, as shown and described.

**DESCRIPTION**

FIG. 1 is a front perspective view of a container showing the new design;

FIG. 2 is a rear perspective view thereof with the base having the lid secured thereon;

FIG. 3 is a front elevation view thereof with the base having the lid secured thereon;

FIG. 4 is a rear elevation view thereof with the base having the lid secured thereon;

FIG. 5 is left elevation view thereof with the base having the lid secured thereon;

FIG. 6 is right elevation view thereof with the base having the lid secured thereon;

FIG. 7 is a top plan view thereof with the base having the lid secured thereon;

FIG. 8 is a bottom plan view thereof with the base having the lid secured thereon;

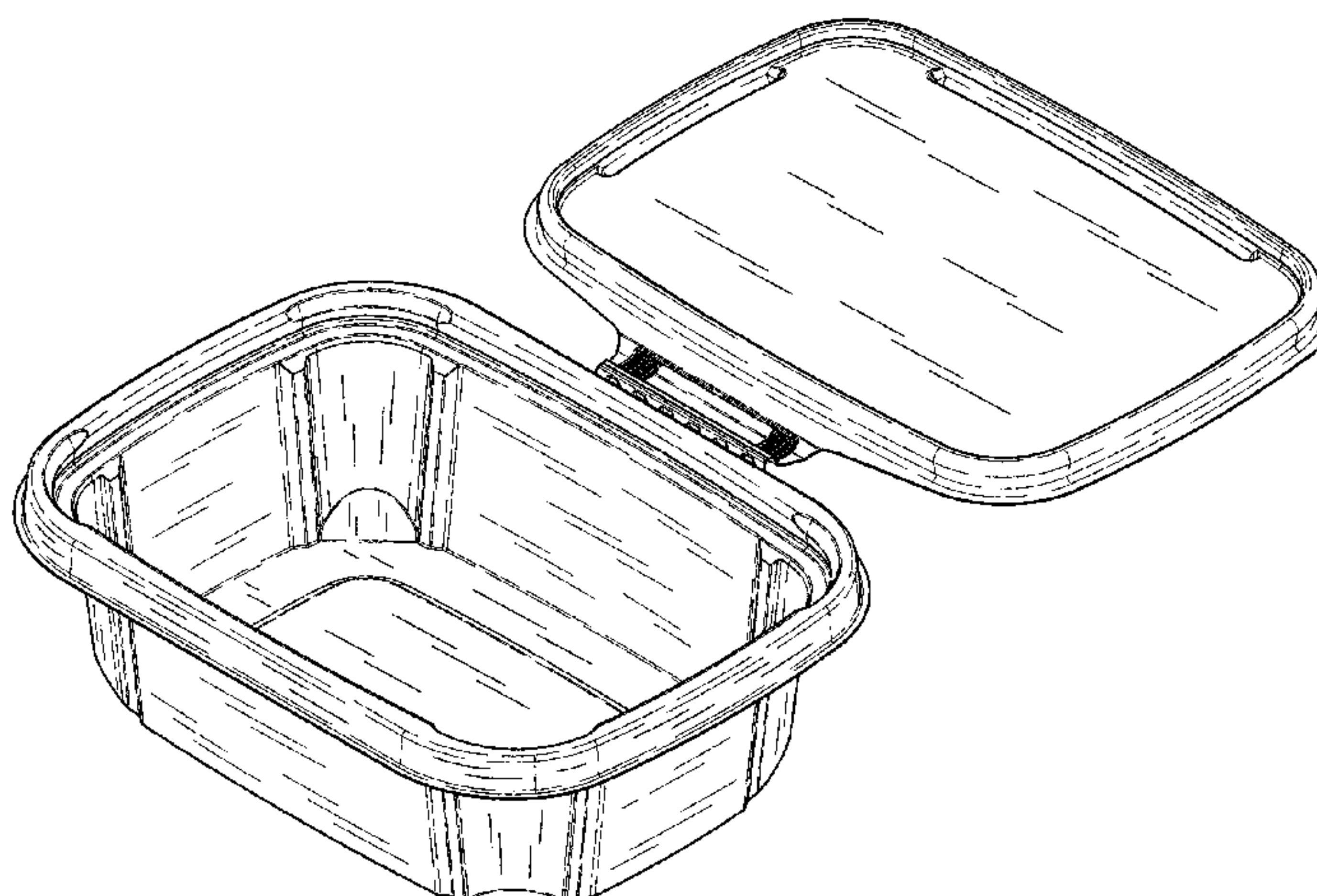
FIG. 9 is a front perspective view thereof with the base having the lid open thereon;

FIG. 10. is a top plan view thereof with the base having the lid open thereon; and,

FIG. 11. is a bottom plan view thereof with the base having the lid open thereon.

The broken line showing of the text in the figures is for illustrative purposes only and forms no part of the claimed design.

**1 Claim, 11 Drawing Sheets**



**Related U.S. Application Data**

application No. 14/788,054, filed on Jun. 30, 2015, and a continuation-in-part of application No. 14/788,074, filed on Jun. 30, 2015, now Pat. No. 9,580,219.

(58) **Field of Classification Search**

CPC ..... A47G 21/001; B65D 43/162; B65D 43/0249; B65D 43/26

See application file for complete search history.

(56) **References Cited**

U.S. PATENT DOCUMENTS

6,135,304	A	10/2000	Wyslotsky	
6,572,909	B1	6/2003	Bagwell et al.	
7,073,680	B2	7/2006	Boback et al.	
7,118,003	B2	10/2006	Sellari et al.	
7,246,714	B2	7/2007	Garg et al.	
D587,993	S	3/2009	Vovan	
7,568,589	B2	8/2009	Vovan	
7,631,776	B2	12/2009	Vovan	
7,685,677	B2	3/2010	Garg et al.	
7,712,626	B2	5/2010	Vovan	
D640,548	S *	6/2011	Lawrence	D9/430
7,992,743	B2	8/2011	Vovan	
8,056,750	B2	11/2011	Vovan	
8,083,089	B2	12/2011	Vovan	
8,123,064	B2	2/2012	Vovan	
8,251,249	B1	8/2012	Vovan	
D668,537	S *	10/2012	Sanfilippo	D9/423
D668,950	S *	10/2012	Sanfilippo	D9/423
D675,517	S *	2/2013	Garza	D9/424
8,371,468	B2	2/2013	Sellari et al.	
D686,064	S *	7/2013	Garza	D9/424
D693,672	S	11/2013	Bontrager et al.	
8,608,008	B2	12/2013	Gingras et al.	
D697,795	S *	1/2014	Garza	D9/424
D698,241	S	1/2014	Fosse	
8,672,166	B2	3/2014	Nazareth et al.	
8,795,580	B2	8/2014	Sellari et al.	

8,833,589	B2	9/2014	Vovan	
8,851,315	B2	10/2014	Vovan	
8,939,307	B2	1/2015	Gingras	
9,016,503	B2	4/2015	Barbier	
9,120,595	B2 *	9/2015	Chou	B65D 17/24
9,132,942	B2 *	9/2015	Nikaein	B65D 43/0249
9,187,209	B1 *	11/2015	Hanna	B65D 43/162
D752,430	S *	3/2016	Stevenson	D9/425
D756,770	S *	5/2016	Snedden	D9/425
2004/0118848	A1	6/2004	Marshall	
2007/0045317	A1	3/2007	Rosender	
2008/0023471	A1	1/2008	Garg et al.	
2008/0308557	A1	12/2008	Kyle et al.	
2009/0090712	A1	4/2009	Vovan et al.	
2010/0072217	A1	3/2010	Parikh et al.	
2010/0102074	A1	4/2010	Parikh et al.	
2010/0181323	A1	7/2010	Thaler	
2011/0000929	A1	1/2011	Brown et al.	
2011/0139785	A1 *	6/2011	Strange	B65D 43/162 220/283
2012/0067009	A1	3/2012	Bontrager et al.	
2014/0069922	A1	3/2014	Boback et al.	

FOREIGN PATENT DOCUMENTS

EP	2580138	4/2014
WO	WO03022703	3/2003
WO	WO2005009857	2/2005
WO	WO2005056414	6/2005
WO	WO2006119538	11/2006
WO	WO2008008343	1/2008

OTHER PUBLICATIONS

Co-pending U.S. Appl. No. 14/788,054, filed Jun. 30, 2015.  
 Co-pending U.S. Appl. No. 14/788,074, filed Jun. 30, 2015.  
 Office Action issued Nov. 18, 2015 in co-pending U.S. Appl. No. 14/788,074.  
 Co-pending U.S. Appl. No. 14/869,135, filed Sep. 29, 2015.

\* cited by examiner

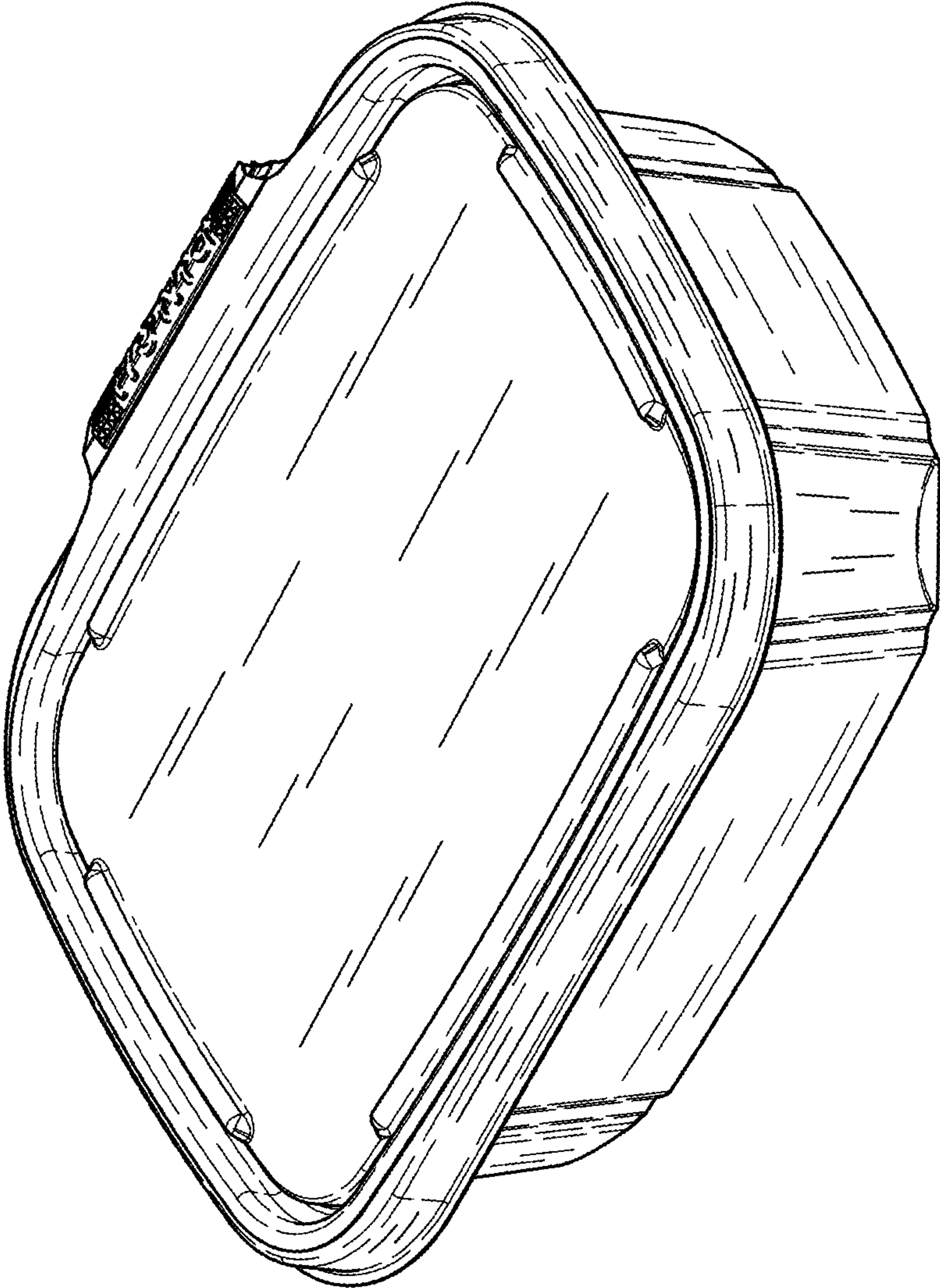


FIG. 1



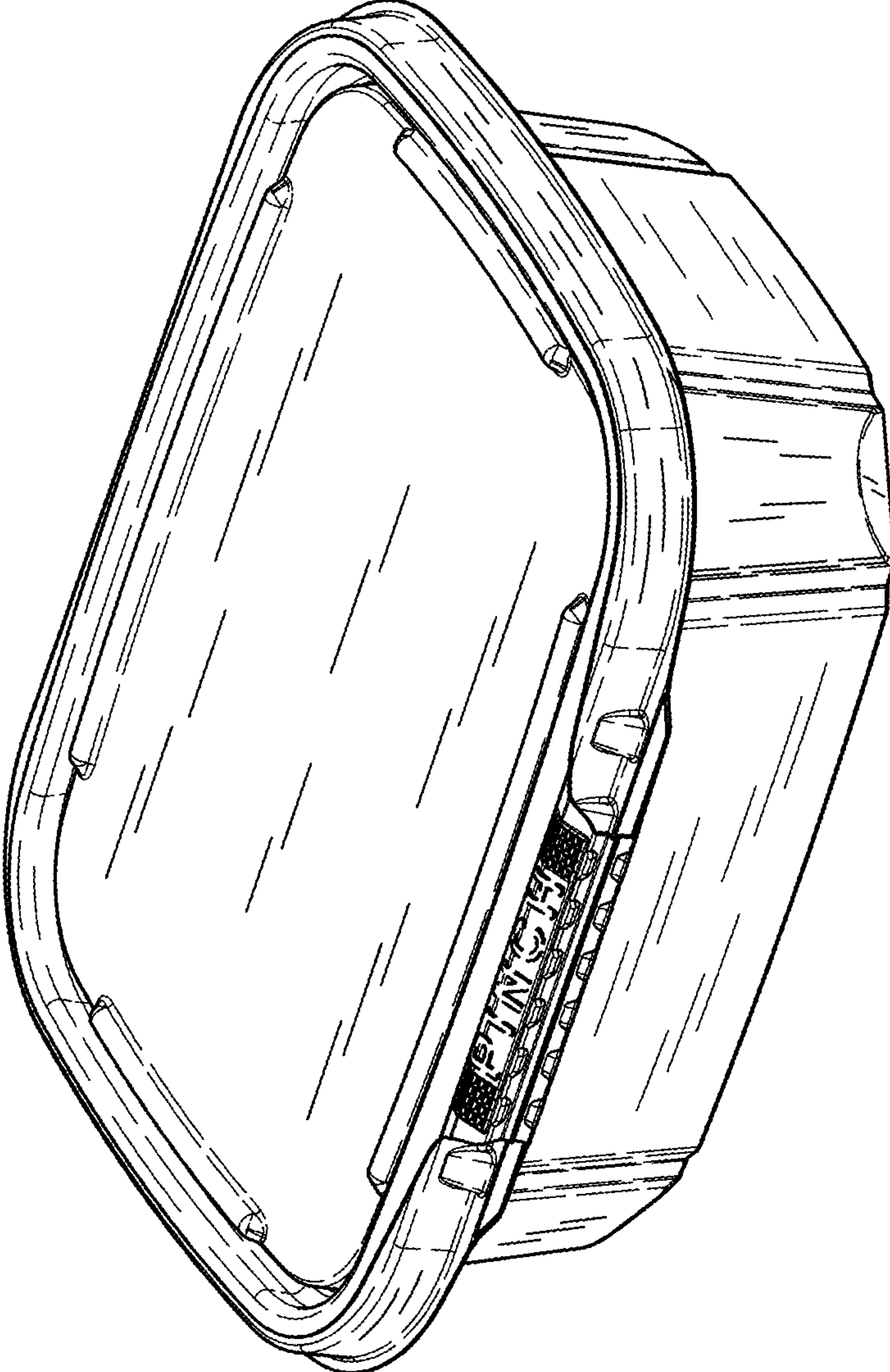


FIG. 2

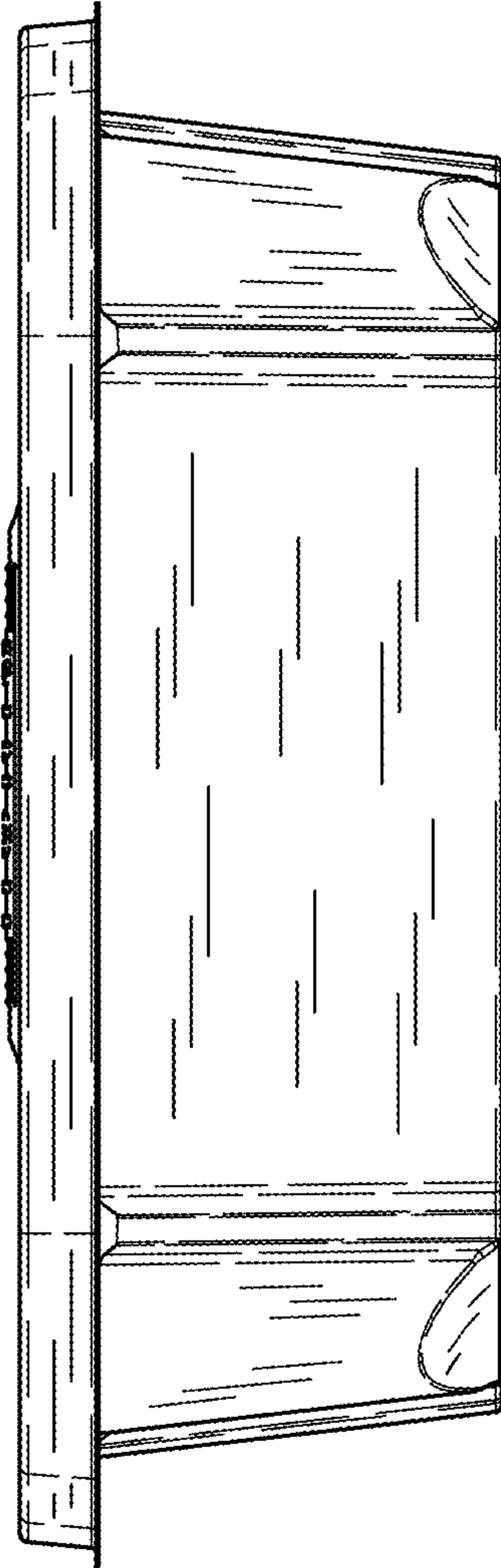


FIG. 3

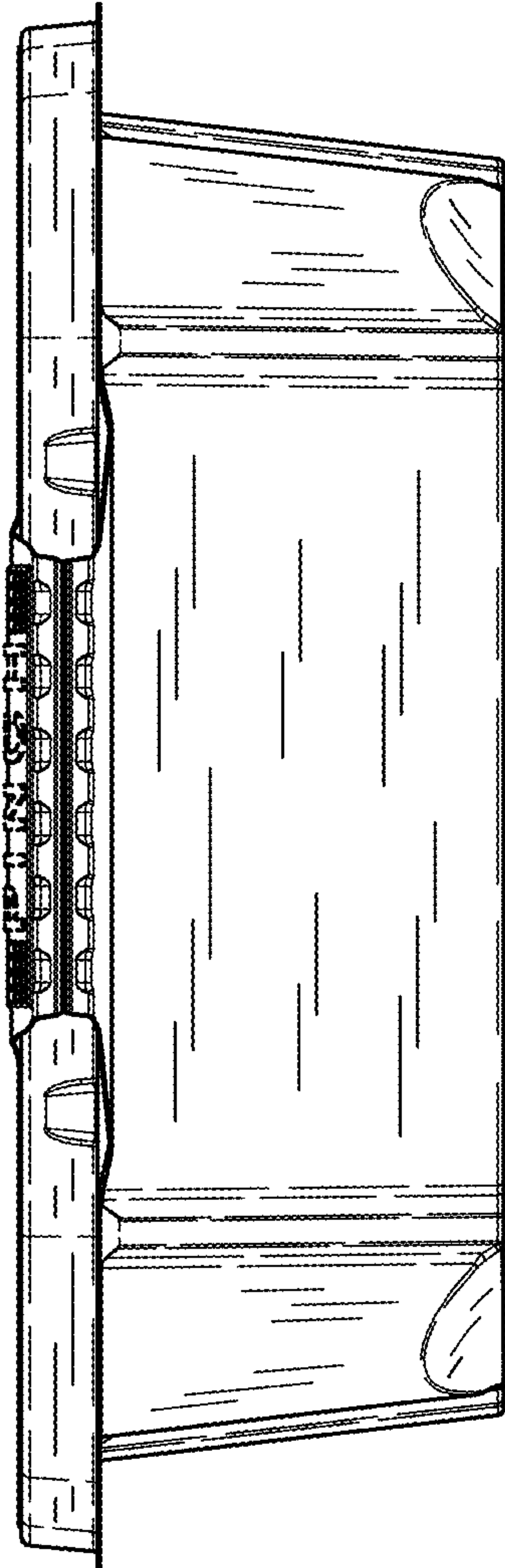


FIG. 4

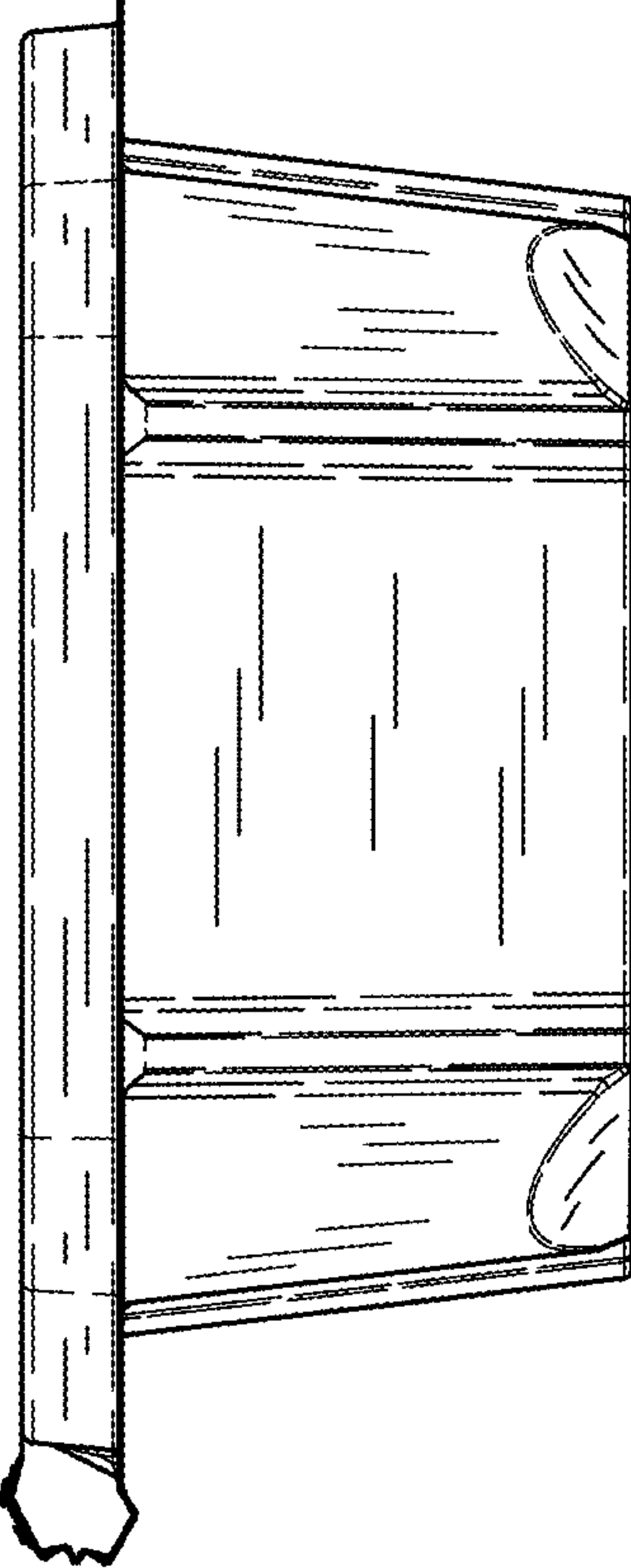


FIG. 5

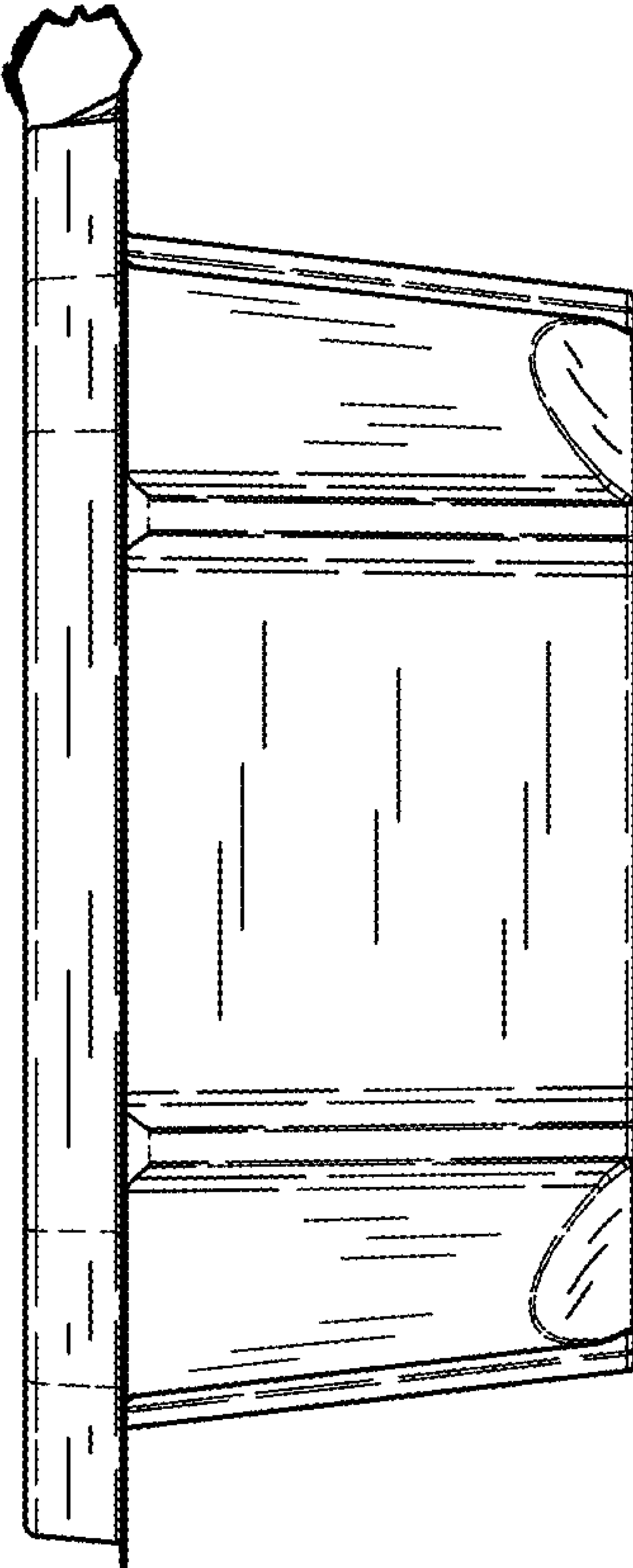


FIG. 6



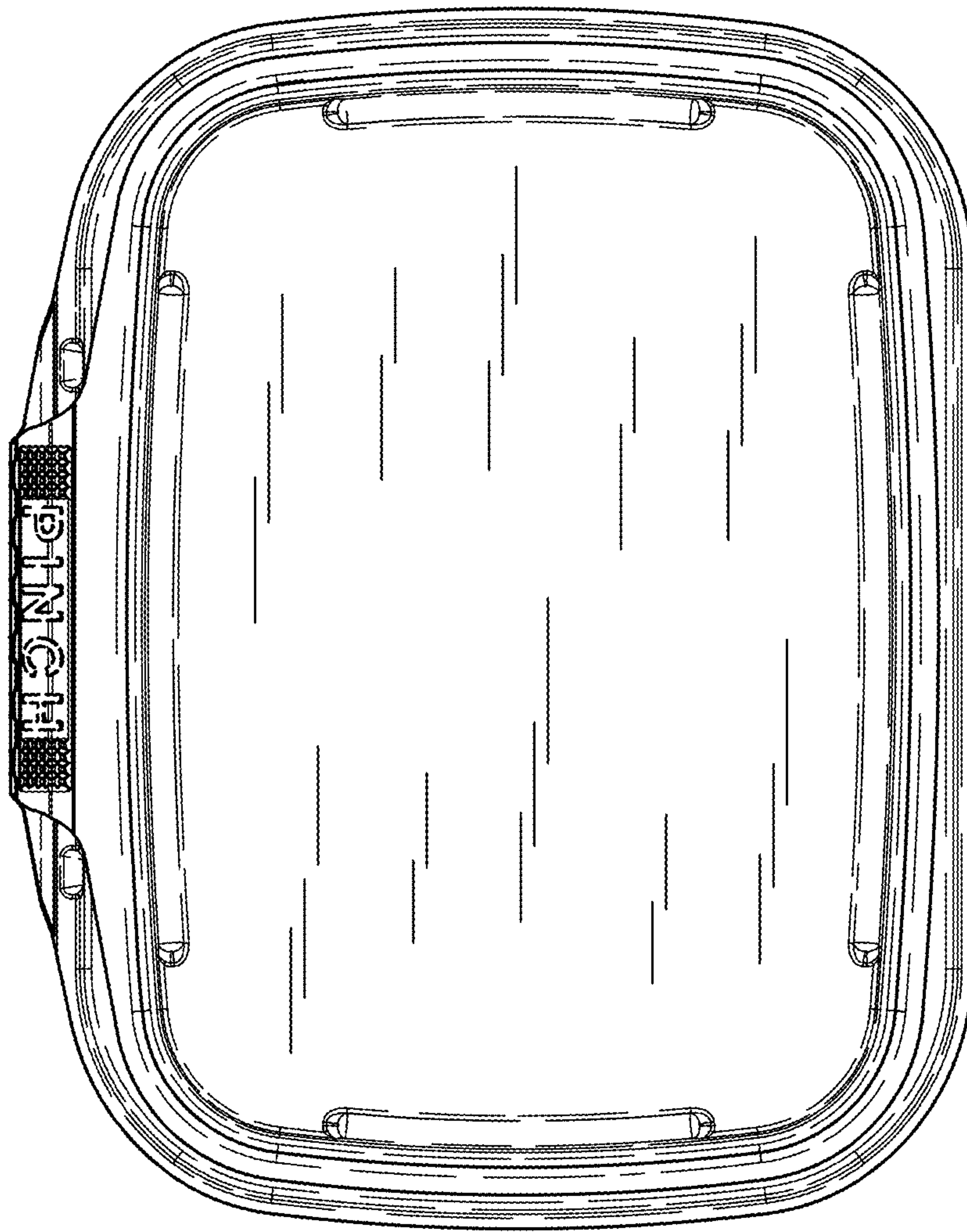


FIG. 7

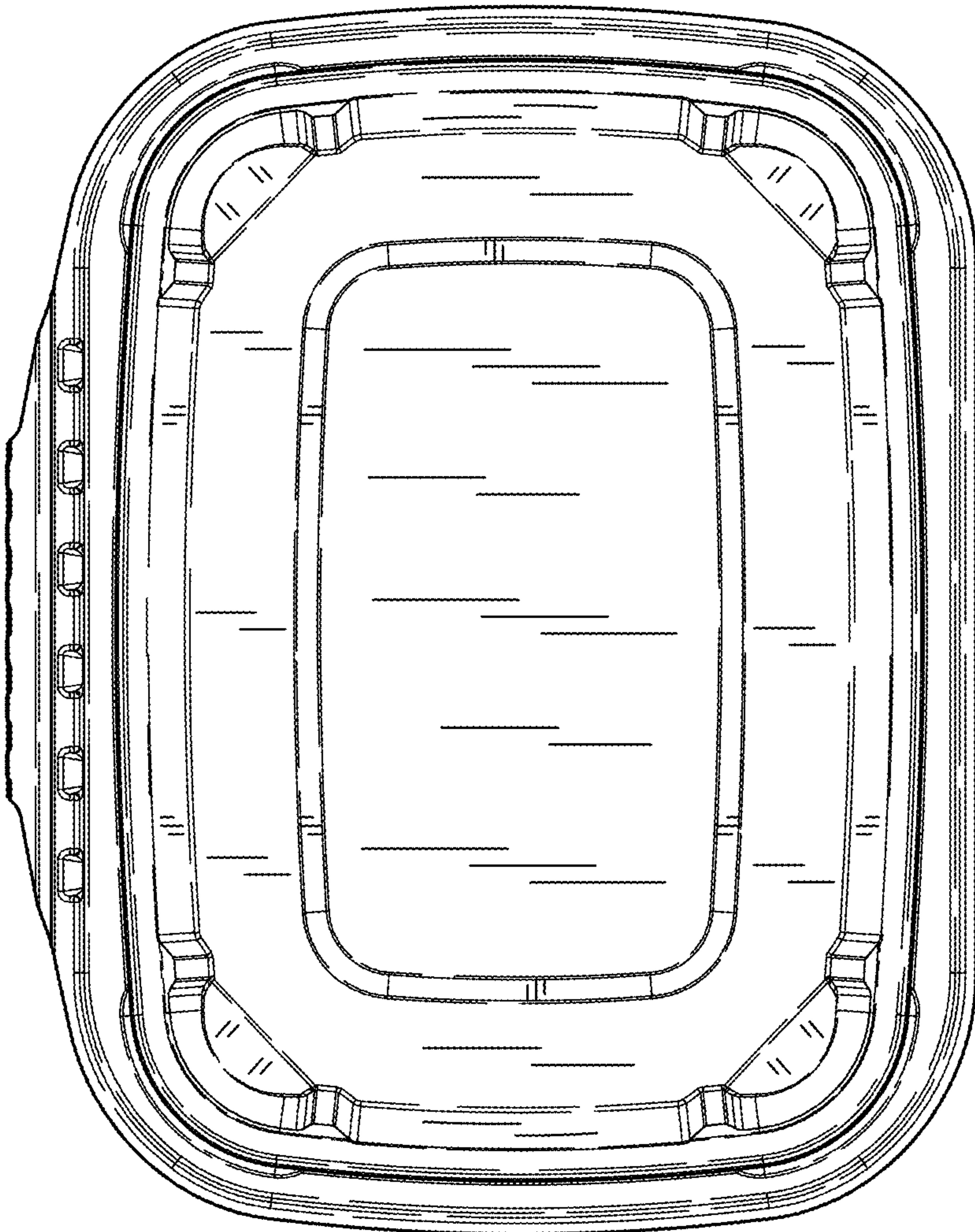


FIG. 8

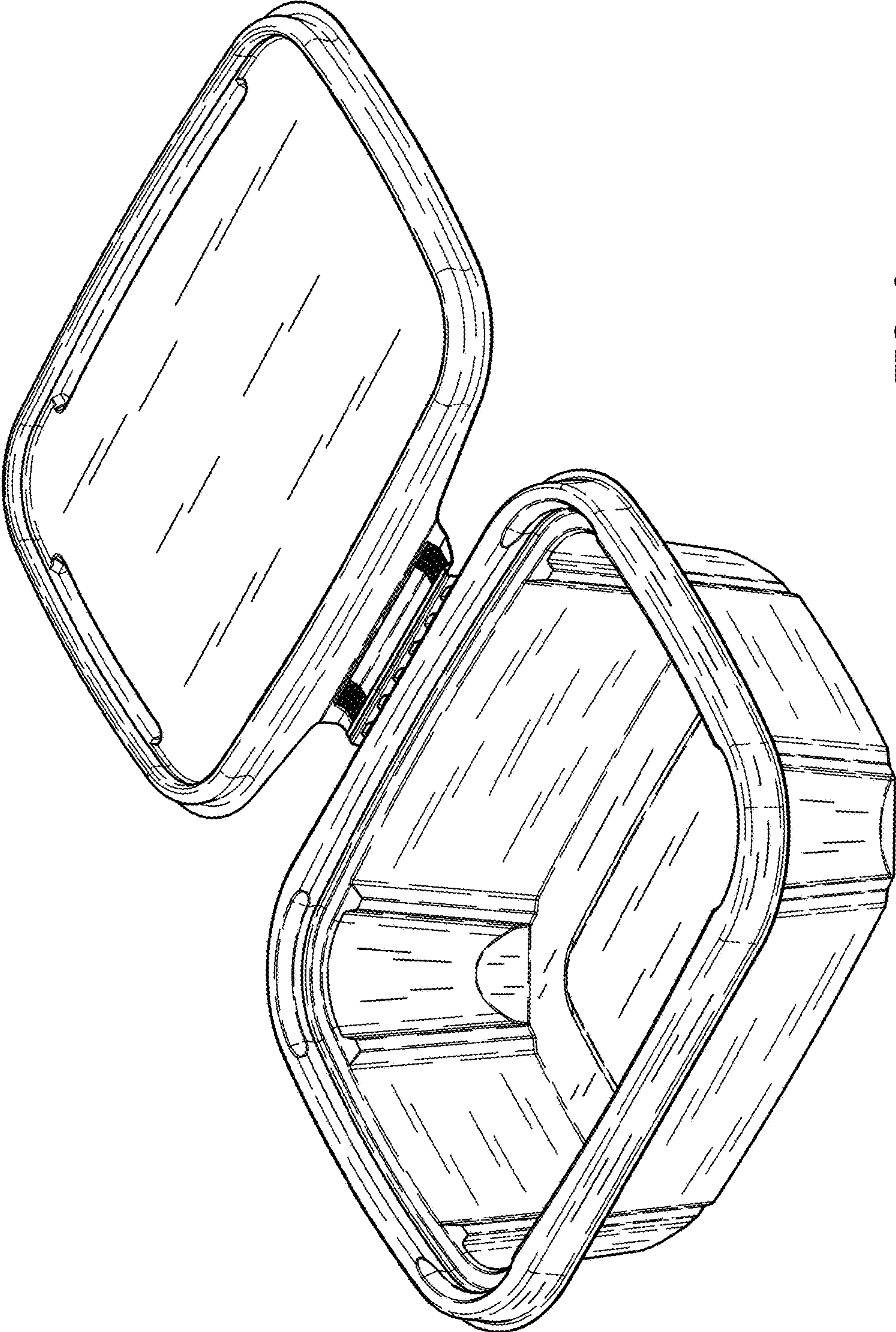


FIG. 9



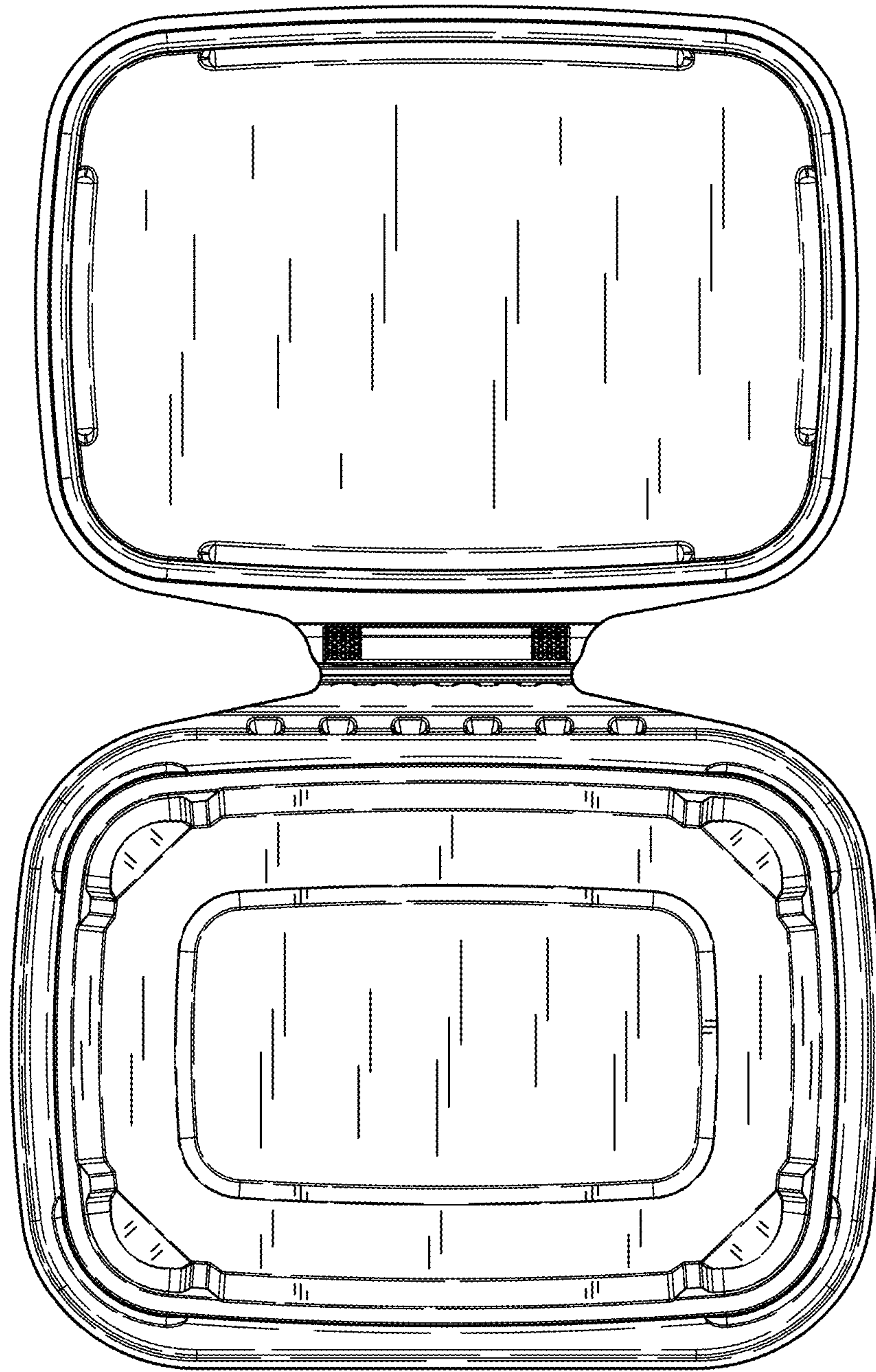


FIG. 10

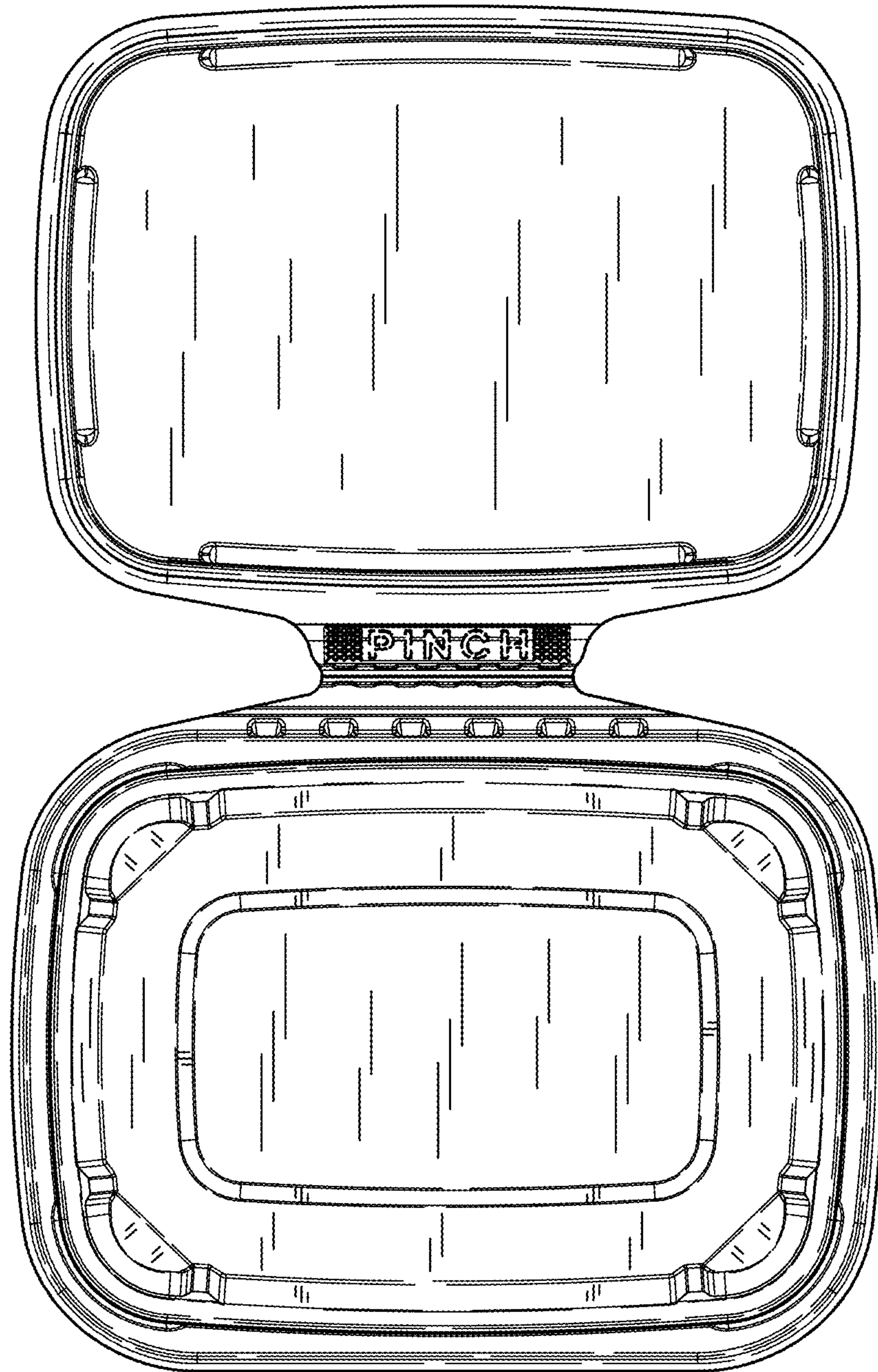


FIG. 11