



US00D795650S

(12) **United States Design Patent**
Weitman

(10) **Patent No.:** **US D795,650 S**

(45) **Date of Patent:** **** Aug. 29, 2017**

(54) **TRANSLUCENT BAR CUP WITH MEASURING LINES**

(71) Applicant: **Colby Weitman**, Birmingham, AL (US)

(72) Inventor: **Colby Weitman**, Birmingham, AL (US)

(**) Term: **15 Years**

(21) Appl. No.: **29/560,788**

(22) Filed: **Apr. 11, 2016**

Related U.S. Application Data

(62) Division of application No. 29/500,659, filed on Aug. 27, 2014, now Pat. No. Des. 756,709.

(51) **LOC (10) Cl.** **07-01**

(52) **U.S. Cl.**
USPC **D7/532; D7/509**

(58) **Field of Classification Search**
USPC D7/507, 509, 510, 511, 523, 529, 530, D7/532, 584, 533, 535, 504; D11/143, D11/144; D26/9, 11; 220/592.16, 220/592.17, 200, 495.03, 494, 62.12, 662, 220/663; 215/377, 371, 374; D9/415, D9/534, 530, 721, 722; D27/183, 172, D27/174, 175, 176, 101, 100, 118
CPC A47G 19/22; A47G 19/2205; A47G 19/2222; B65D 3/22; B65D 90/02; A01G 9/00

See application file for complete search history.

(56) **References Cited**

U.S. PATENT DOCUMENTS

641,052 A	1/1900	Strauss
2,540,565 A	2/1951	Cesare
2,905,350 A	9/1959	Bryant
3,009,603 A	11/1961	Stockdale
3,091,360 A	5/1963	Bryant

3,157,335 A	11/1964	Maier
3,190,530 A	6/1965	Bryant
3,207,109 A	9/1965	Hammargren
D208,872 S	10/1967	Davis
3,372,830 A	3/1968	Bryant
3,850,361 A	11/1974	Day
D248,916 S	8/1978	Reynolds
D271,650 S	12/1983	Groenewold
D272,794 S	2/1984	Dart
4,609,113 A	9/1986	Seki
5,868,272 A	2/1999	Deal
D417,821 S	12/1999	Cautereels
6,159,513 A	12/2000	Judlowe et al.
D490,655 S	6/2004	Zettle
D495,186 S	8/2004	Poupel et al.
D534,038 S	12/2006	Kramer

(Continued)

FOREIGN PATENT DOCUMENTS

CN	2010/05562	1/2008
JP	2008/27054	2/2008
WO	WO2005/038361	4/2005

Primary Examiner — Marianne Pandozzi

Assistant Examiner — Jae Liang

(74) *Attorney, Agent, or Firm* — Pitts & Lake, P.C.

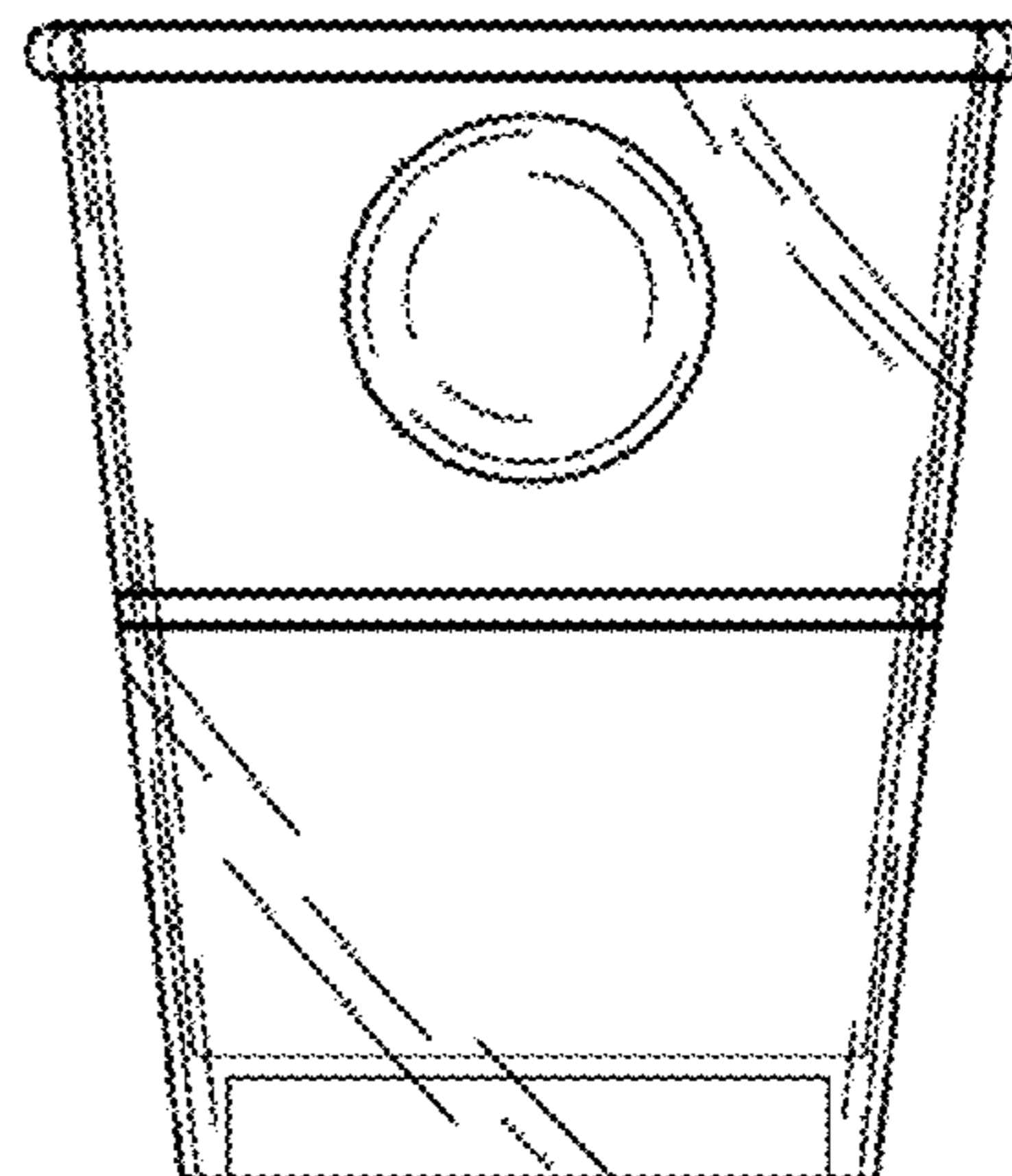
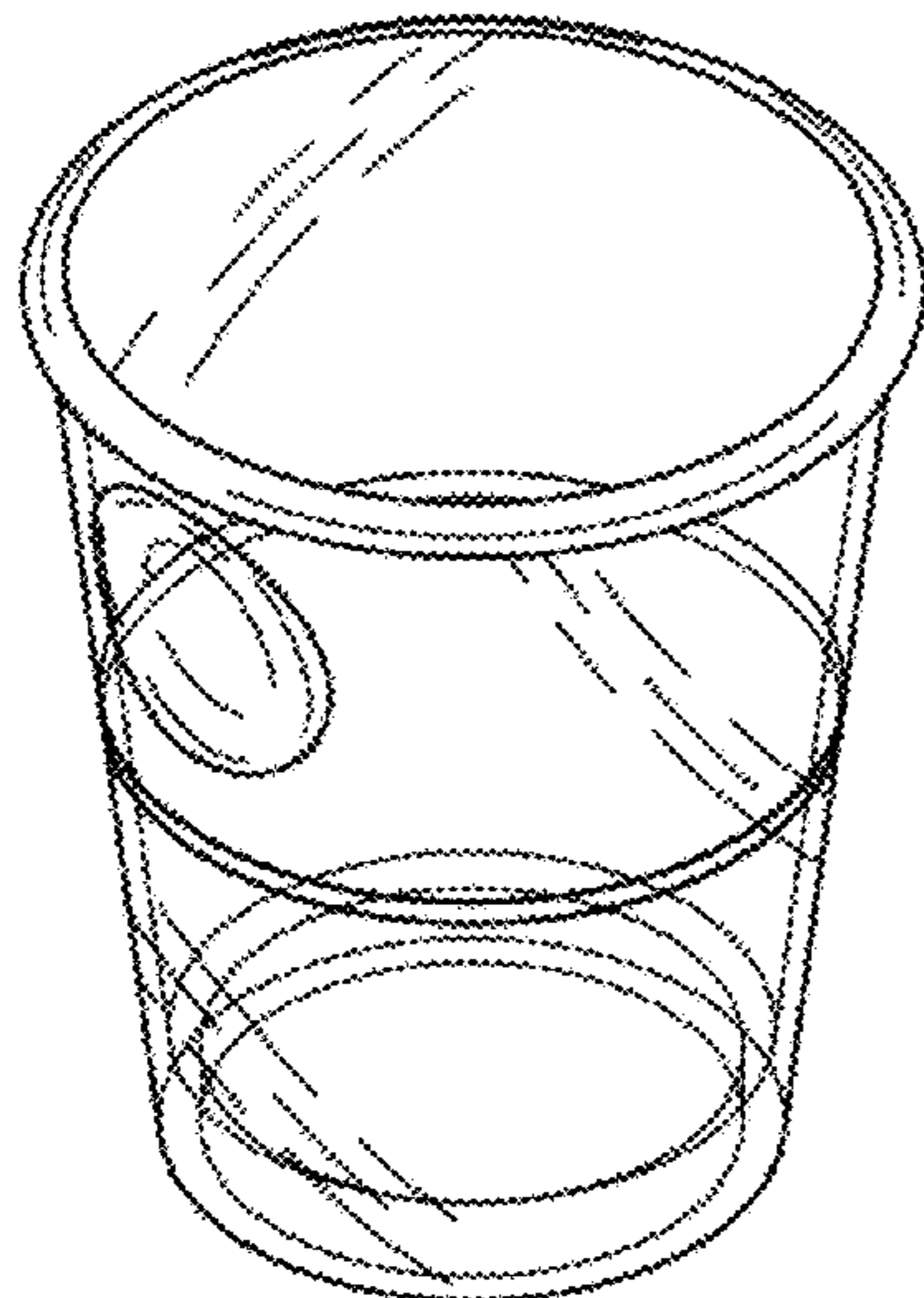
(57) **CLAIM**

I claim the ornamental design for a translucent bar cup with measuring lines, as shown and described.

DESCRIPTION

FIG. 1 is a perspective view of a translucent bar cup with measuring lines showing my new design; FIG. 2 is a front elevational view thereof; FIG. 3 is a rear elevational view thereof; FIG. 4 is a left side elevational view thereof; the right side elevational view being a mirror image thereof; FIG. 5 is a top view thereof; and, FIG. 6 is a bottom view thereof.

1 Claim, 2 Drawing Sheets



(56)

References Cited

U.S. PATENT DOCUMENTS

D536,579 S *	2/2007	Roth	B65D 81/3205	D675,875 S *	2/2013	Miller	D7/523
			D7/523	D680,377 S	4/2013	Romley	
D563,168 S	3/2008	Gibbons		8,479,974 B2	7/2013	Seo	
D563,173 S	3/2008	Karam		D688,523 S	8/2013	Lees	
D568,106 S	5/2008	Karam		D696,906 S	1/2014	Roth	
D570,159 S	6/2008	McGill		D698,603 S *	2/2014	Huckestein	D7/509
D577,547 S	9/2008	Willat		8,646,645 B1	2/2014	LeBlanc et al.	
D607,692 S	1/2010	Skala		D703,009 S	4/2014	Wampold	
D612,201 S	3/2010	Hillebrenner		D704,592 S	5/2014	Hung	
D615,356 S	5/2010	Hillebrenner		D717,606 S	11/2014	Kristinik	
D621,659 S	8/2010	Liu		D727,106 S	4/2015	Lai	
D635,399 S	4/2011	DelVecchio		D732,232 S *	6/2015	Fissell	D26/94
8,061,197 B2	11/2011	Silvers		D732,343 S	6/2015	Romley	
D650,634 S	12/2011	Hodge		D756,709 S *	5/2016	Weitman	D7/509
D663,589 S	7/2012	Pascot		2002/0029635 A1	3/2002	Kremen	
D670,836 S *	11/2012	Hisey	26/22	2010/0229643 A1	9/2010	Lee	
D672,610 S	12/2012	Park		2011/0024320 A1	2/2011	Roman et al.	
				2011/0266247 A1	11/2011	Littrell	
				2015/0208839 A1	7/2015	Shalmoni	

* cited by examiner

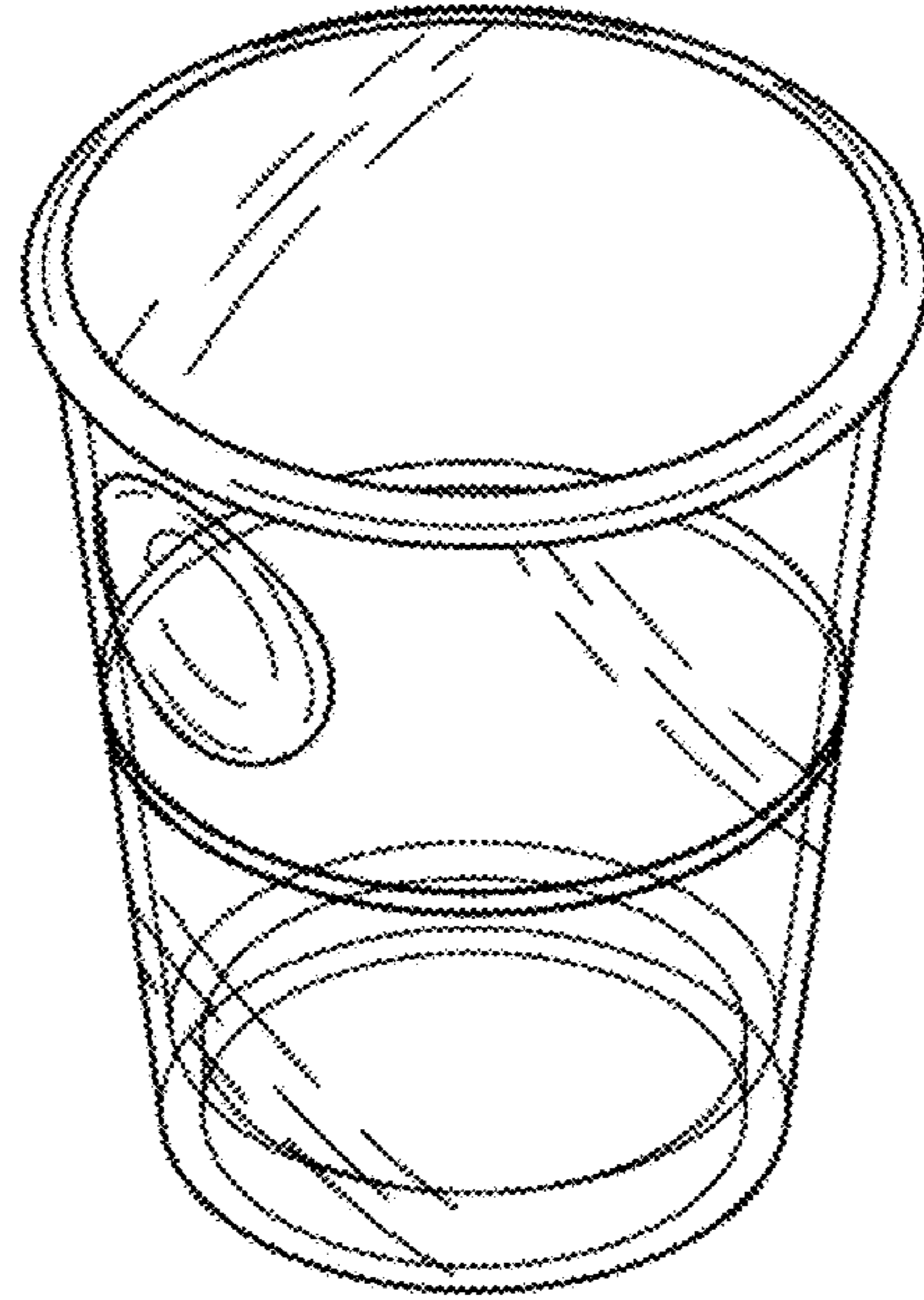


Fig. 1

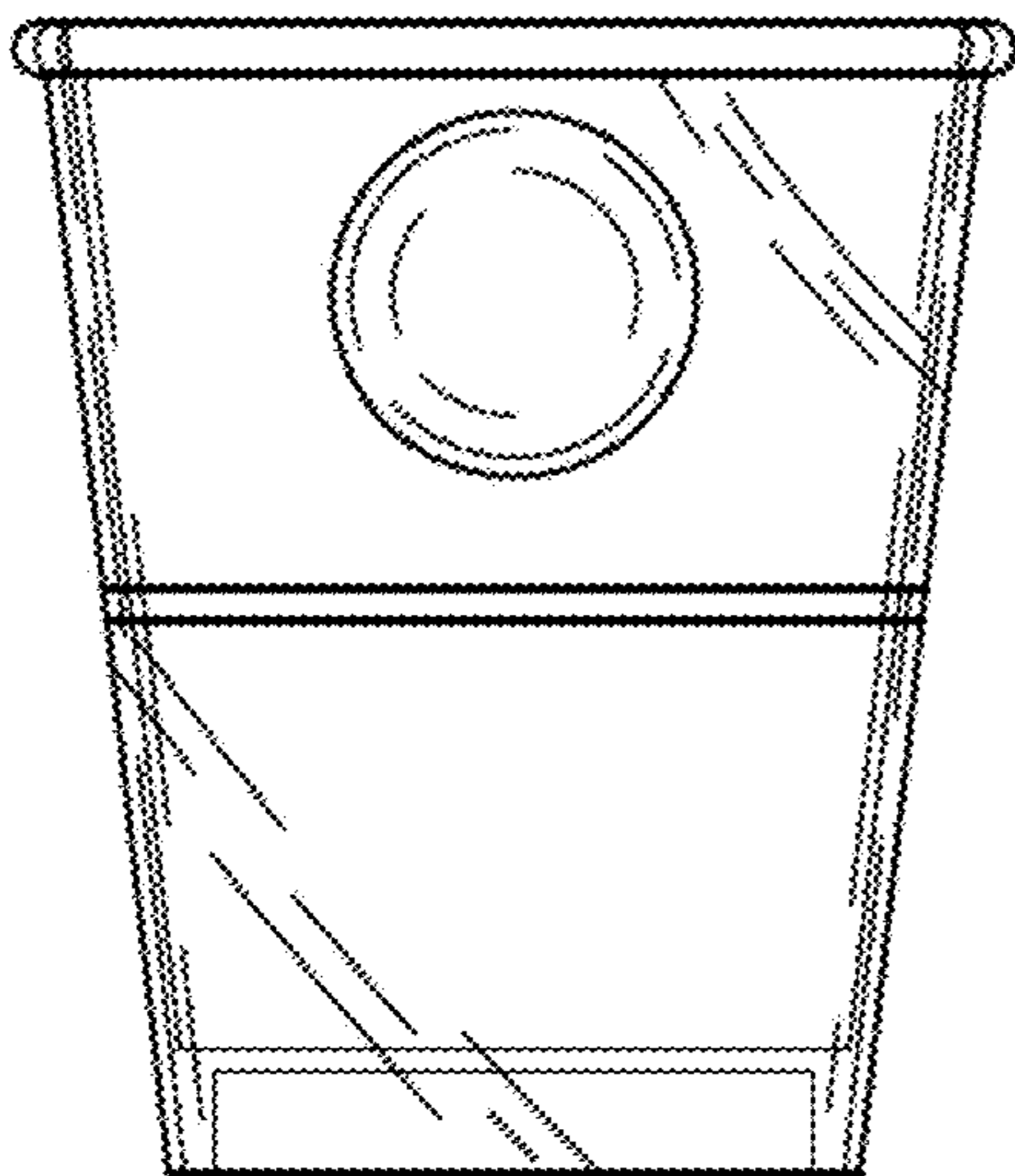


Fig. 2

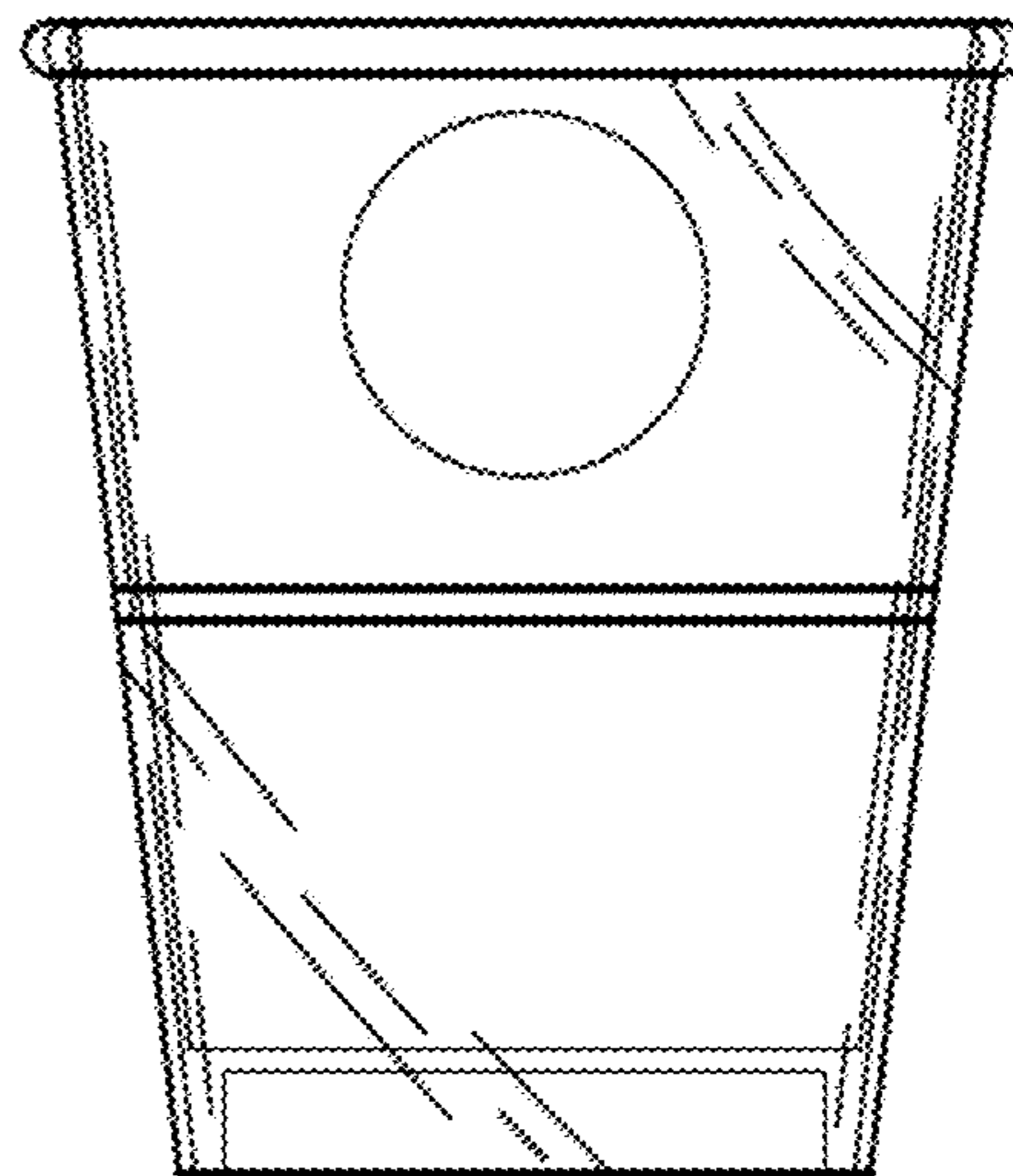


Fig. 3

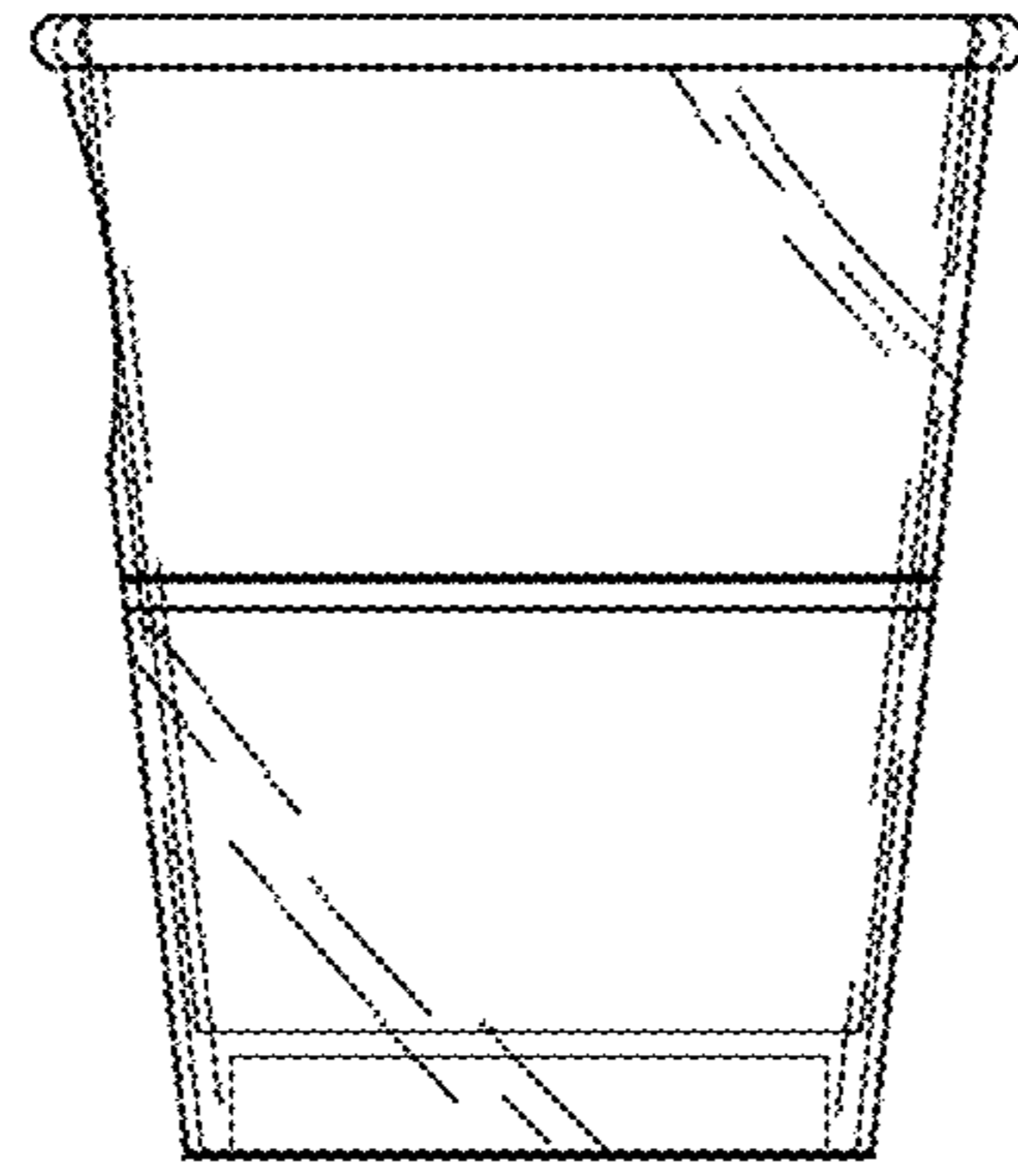


Fig. 4

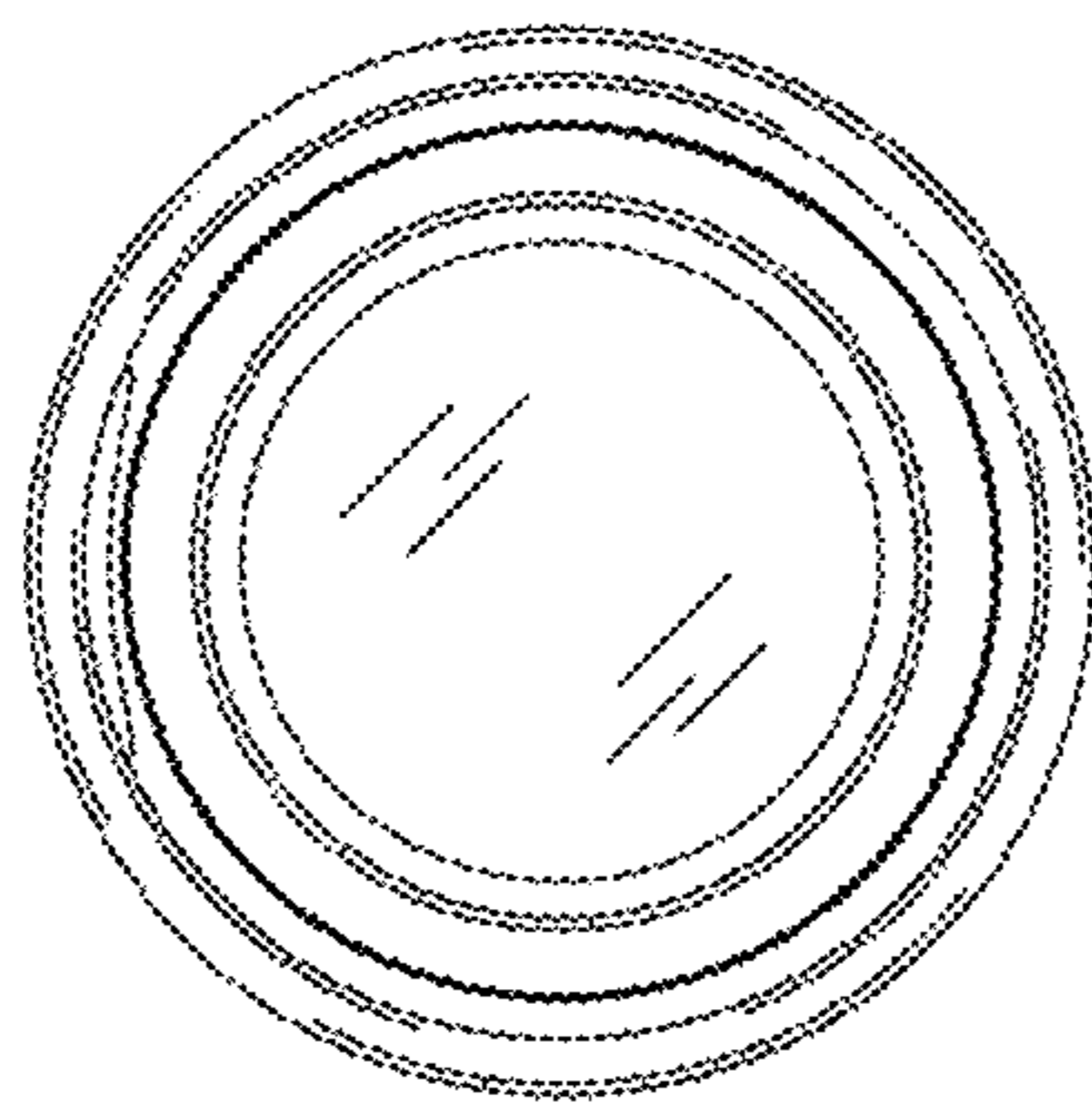


Fig. 5

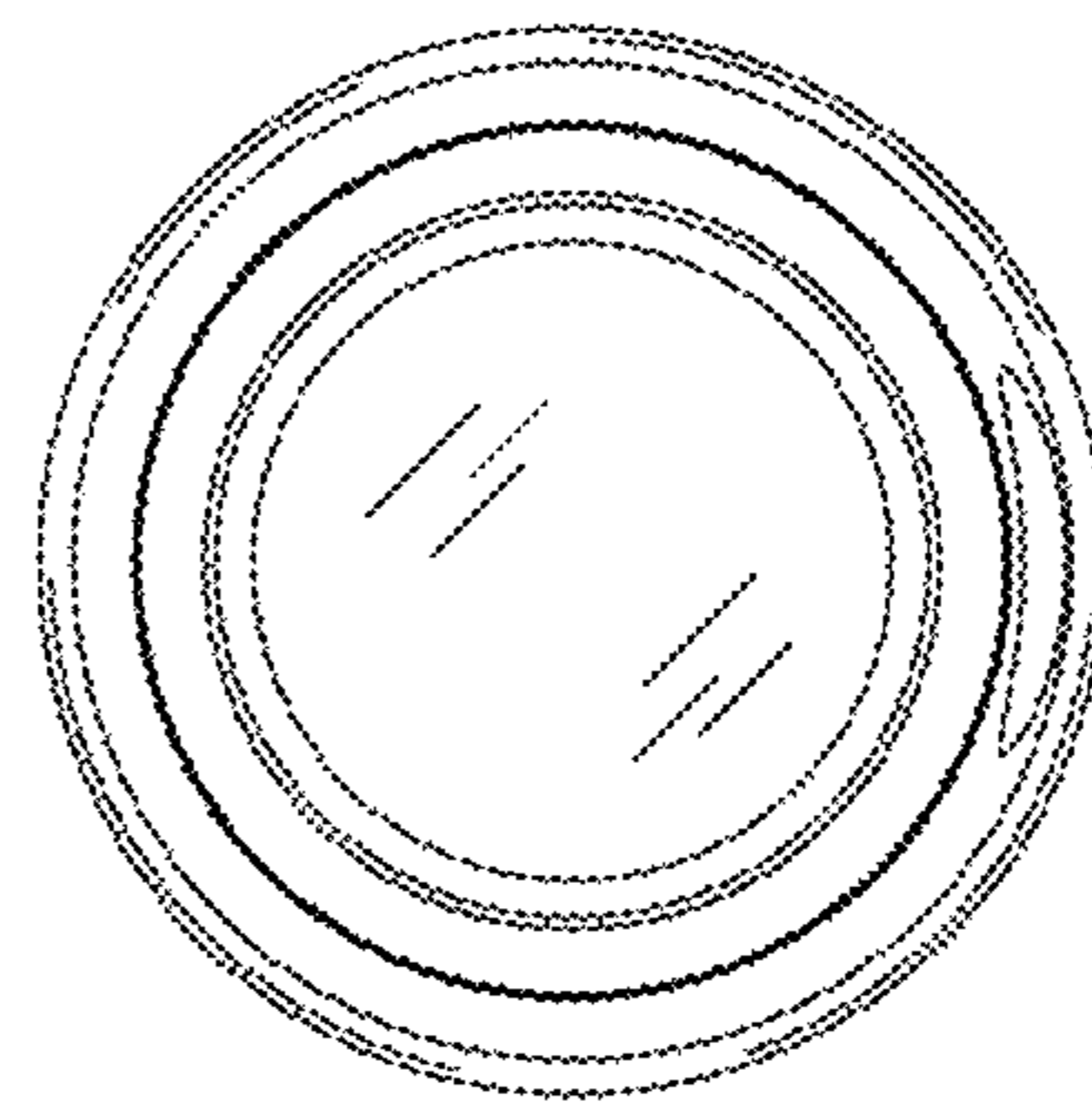


Fig. 6