



US00D795647S

(12) **United States Design Patent** (10) **Patent No.:** **US D795,647 S**
Heiberger et al. (45) **Date of Patent:** **** Aug. 29, 2017**

(54) **SPORTS BOTTLE**
(71) Applicant: **Product Architects, Inc.**, Boulder, CO (US)
(72) Inventors: **Robert Heiberger**, Boulder, CO (US); **David Roecker**, Denver, CO (US); **Kristian Kluver**, Boulder, CO (US)
(73) Assignee: **Product Architects, Inc.**, Boulder, CO (US)

D736,562 S * 8/2015 Green D7/510
D758,132 S * 6/2016 Breit D7/510
D760,027 S * 6/2016 Meyers D7/510
D771,490 S * 11/2016 Junkel D9/447
2005/0023237 A1* 2/2005 Inestroza B65D 81/3205
215/12.1
2006/0157490 A1* 7/2006 Lipson A47G 21/182
220/709
2012/0193316 A1* 8/2012 Starks B65D 81/3205
215/6

(**) Term: **15 Years**

* cited by examiner

Primary Examiner — Daniel Bui
Assistant Examiner — Andrew Kerr

(21) Appl. No.: **29/558,323**

(74) *Attorney, Agent, or Firm* — Holland & Hart LLP

(22) Filed: **Mar. 16, 2016**

(57) **CLAIM**

(51) **LOC (10) Cl.** **07-01**

The ornamental design for a sports bottle, as shown and described.

(52) **U.S. Cl.**

USPC **D7/511**

(58) **Field of Classification Search**

USPC D7/300.1, 396.2, 392.1, 510, 511, 608,
D7/591; D9/503, 504, 434-457, 529;
D24/197

CPC A47G 19/22; A47G 19/2288; A47G
19/2266; A47G 19/2272; A45F 3/16;
A45F 3/20; A47J 43/27

See application file for complete search history.

DESCRIPTION

FIG. 1 is a top perspective view of the sports bottle, showing my new design;
FIG. 2 is a front elevation view thereof;
FIG. 3 is a rear elevation view thereof;
FIG. 4 is a right side elevation view thereof;
FIG. 5 is a left side elevation view thereof;
FIG. 6 is a top plan view thereof; and,
FIG. 7 is a bottom plan view thereof.

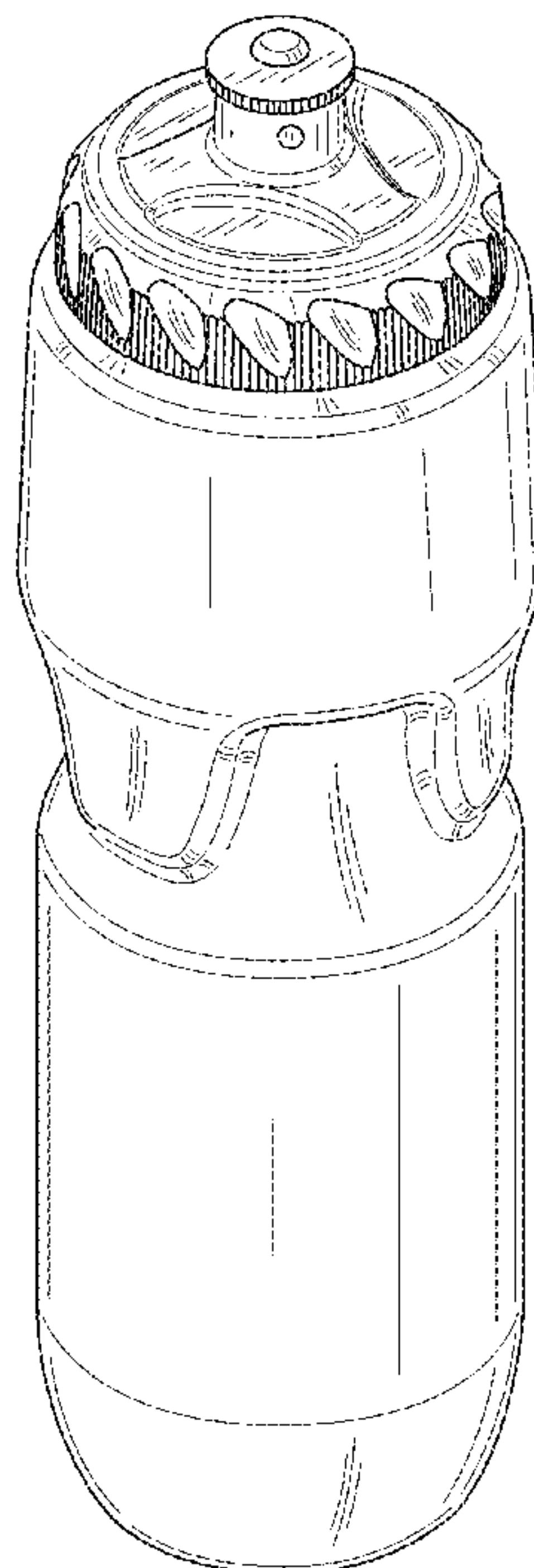
The broken lines in the drawing views are included for the purpose of illustrating unclaimed environment only, and forms no part of the claimed design.

(56) **References Cited**

U.S. PATENT DOCUMENTS

D350,672 S * 9/1994 Egger D7/510
D391,448 S * 3/1998 Winer D7/510
8,051,674 B2* 11/2011 Roth A45F 3/16
62/457.3

1 Claim, 6 Drawing Sheets



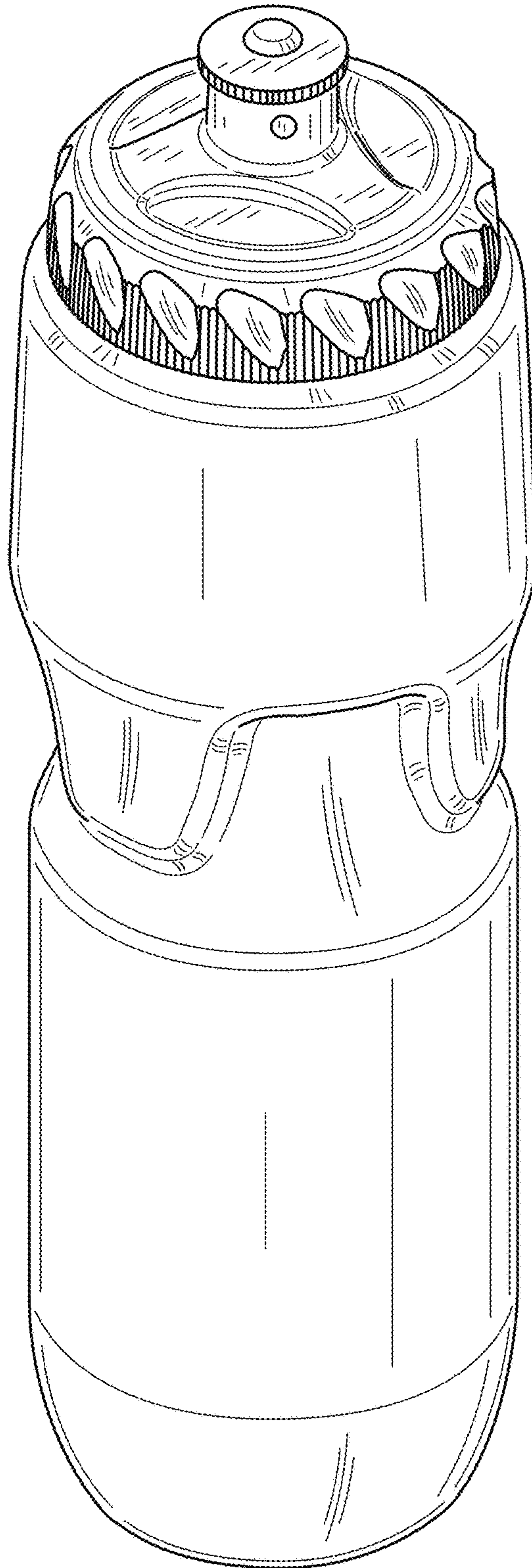


FIG. 1

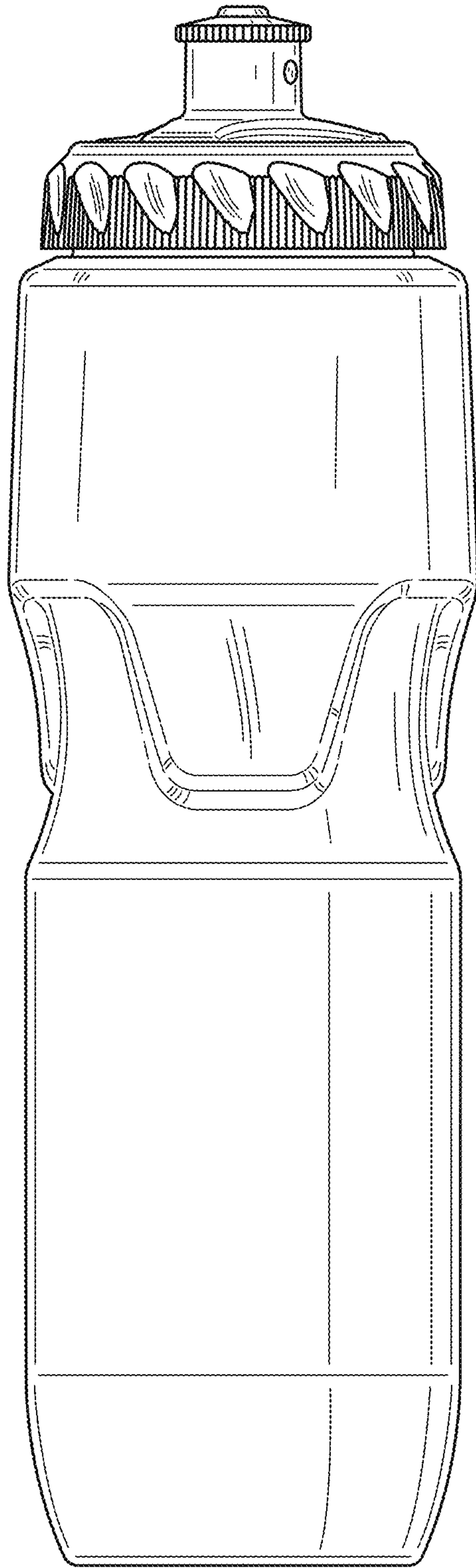


FIG. 2

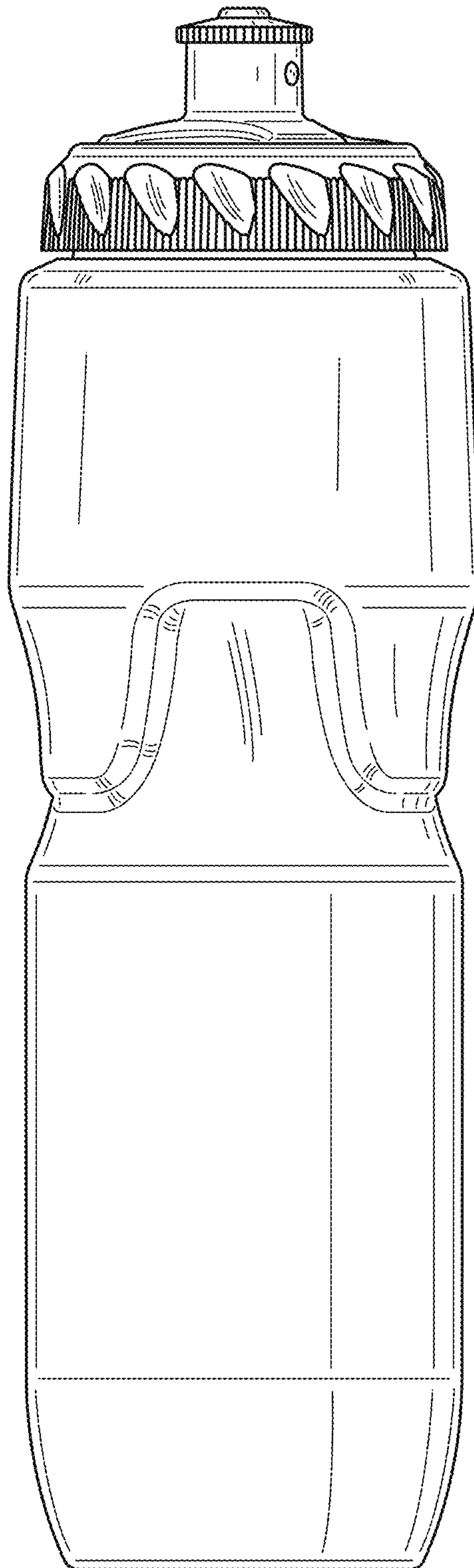


FIG.3

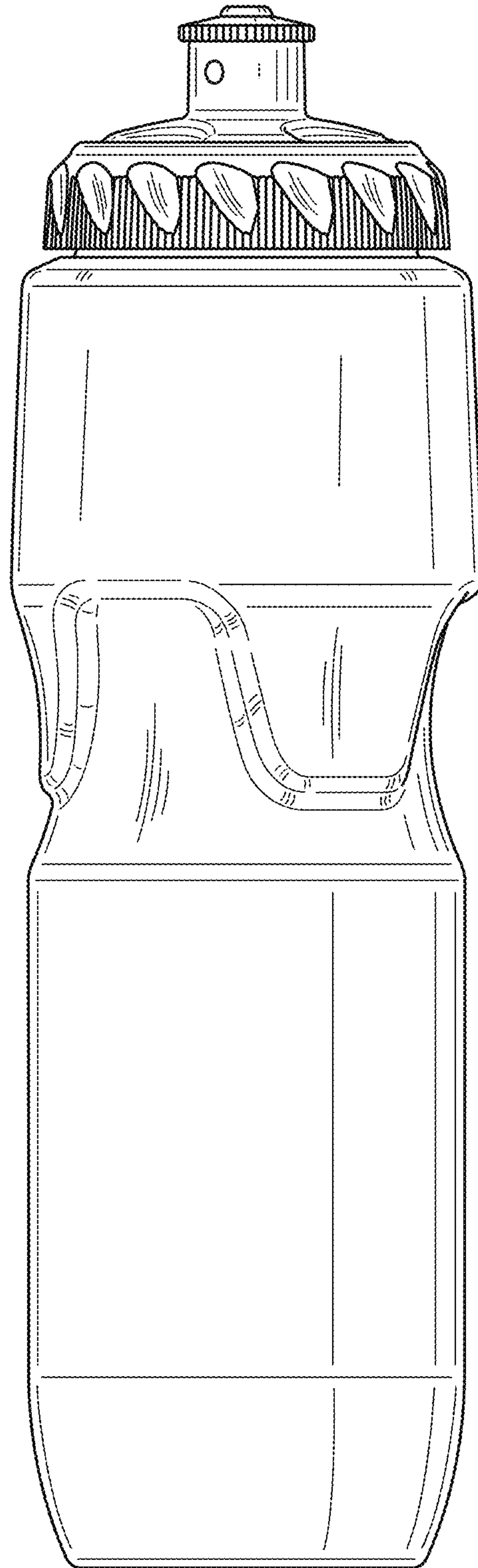


FIG. 4

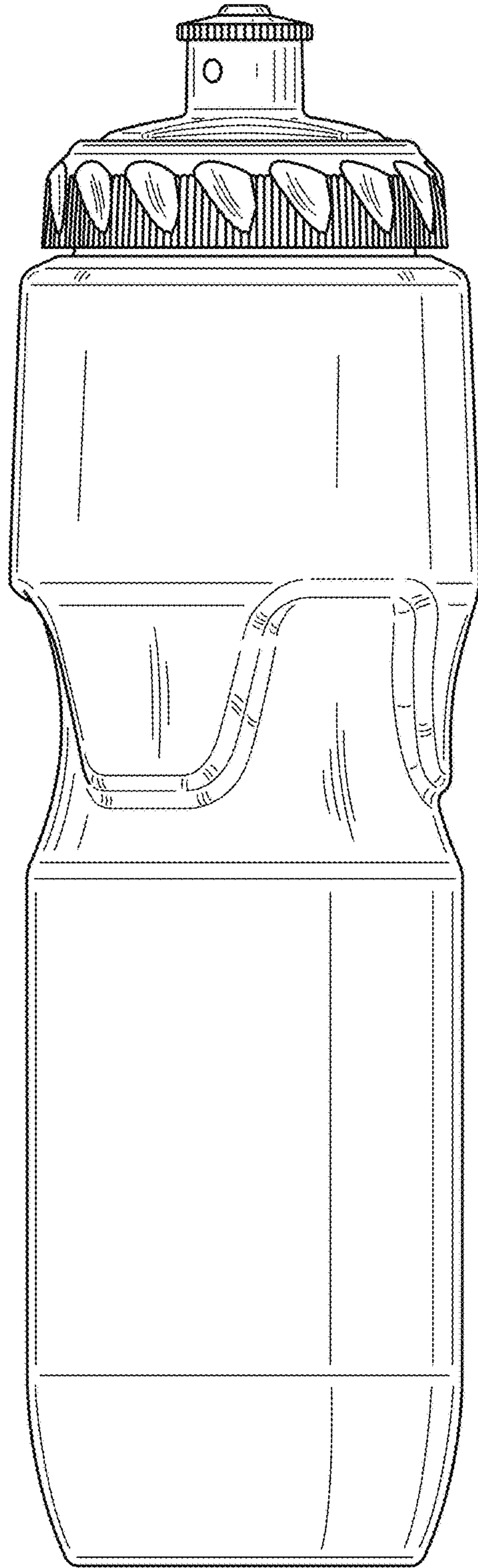


FIG.5

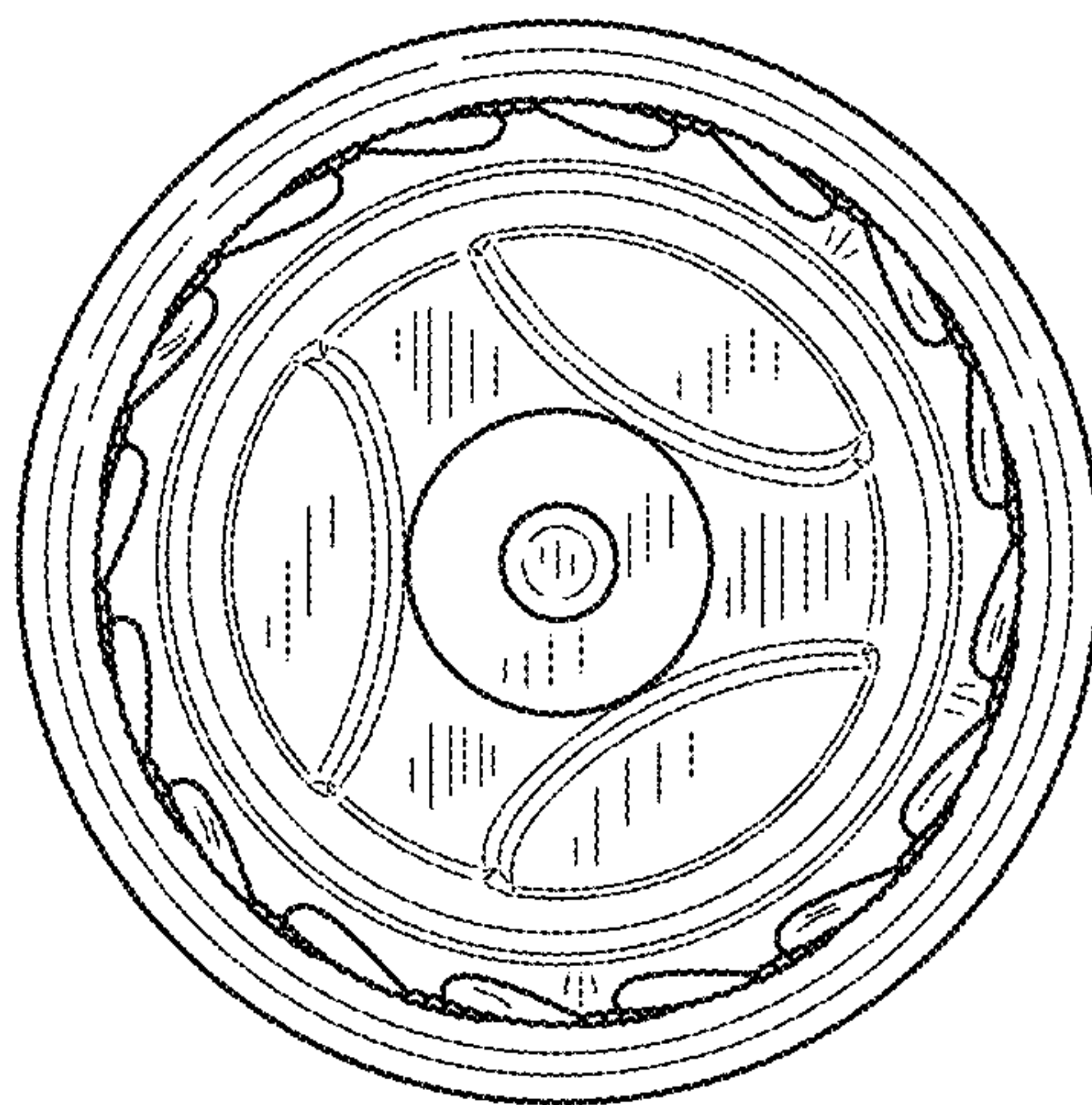


FIG. 6

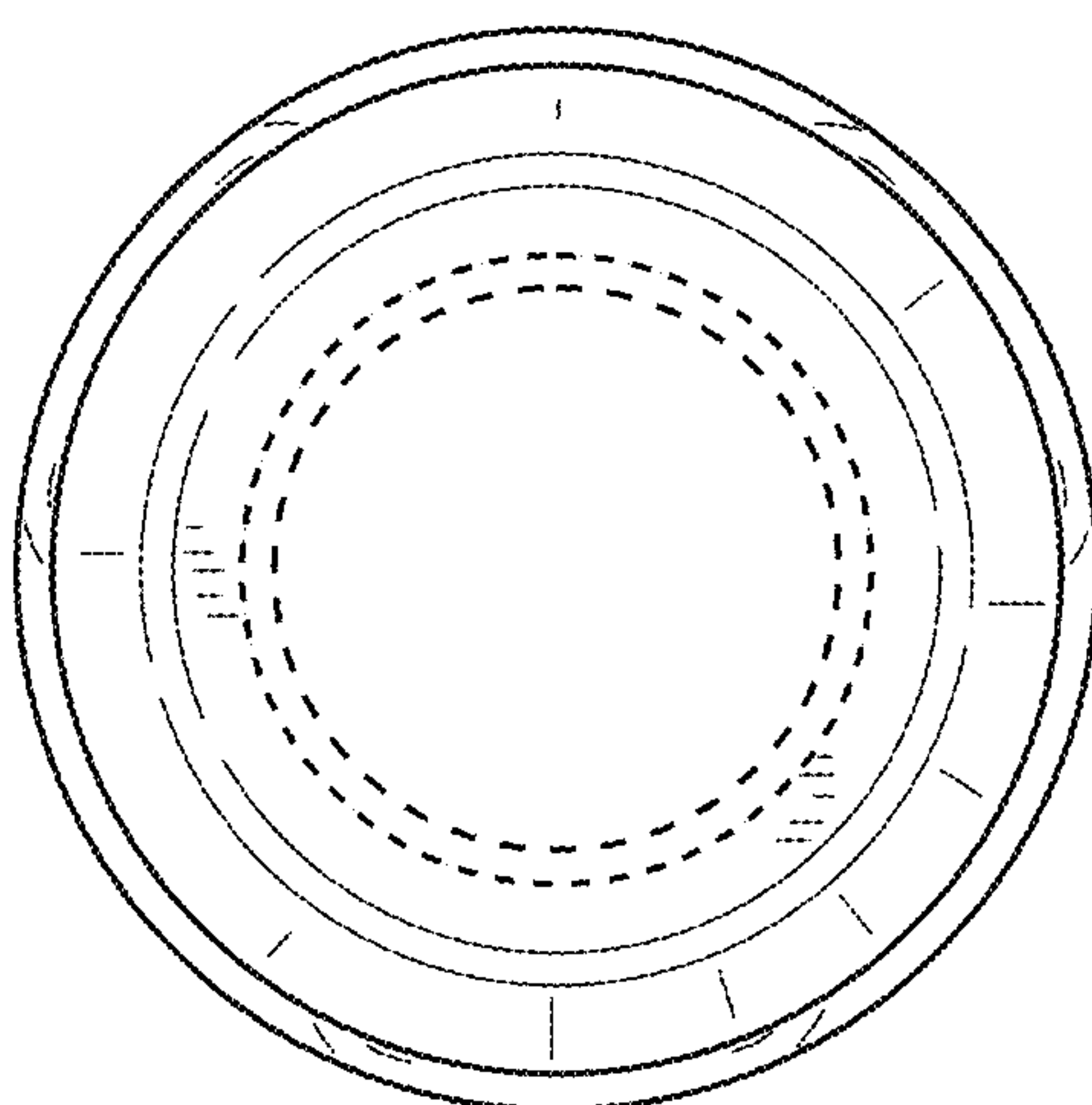


FIG. 7