



US00D795646S

(12) **United States Design Patent** (10) **Patent No.:** **US D795,646 S**
Sorensen et al. (45) **Date of Patent:** **** Aug. 29, 2017**

(54) **CONTAINER WITH LID**
(71) Applicant: **RUNWAY BLUE, LLC**, Lehi, UT (US)
(72) Inventors: **Steven M. Sorensen**, Alpine, UT (US);
David O. Meyers, East Layton, UT (US); **Manny Carreon**, Lehi, UT (US)
(73) Assignee: **RUNWAY BLUE, LLC**, Alpine, UT (US)

(**) Term: **15 Years**

(21) Appl. No.: **29/552,963**

(22) Filed: **Jan. 27, 2016**

(51) **LOC (10) Cl.** **07-01**

(52) **U.S. Cl.**
USPC **D7/511**

(58) **Field of Classification Search**

USPC ... D7/509-511, 543, 396.2, 300.2, 608, 605,
D7/523; D9/525, 523, 530, 551, 435,
D9/528

CPC A47G 19/22; A47G 19/2205; A47G
19/2272; A47G 19/2288; A47G 19/2222;
A45F 3/16; A45F 3/18; A45F 22/00;
A45F 22/0583; B65D 43/00; B65D
23/102; B65D 41/26; B65D 41/04; B65D
1/02; B65D 1/06

See application file for complete search history.

(56) **References Cited**

U.S. PATENT DOCUMENTS

D460,357 S * 7/2002 Kras D9/435
D537,676 S * 3/2007 Kingsley D7/510
D596,458 S * 7/2009 McKinney D7/510
D609,969 S * 2/2010 McKinney D7/510
D619,001 S * 7/2010 McKinney D9/446
D692,276 S * 10/2013 Cetera D7/510
8,752,720 B1 * 6/2014 Habig B65D 55/16
215/306

D714,584 S * 10/2014 Boroski D7/392
D721,912 S * 2/2015 Boroski D7/392.1
D760,540 S * 7/2016 Marina D7/510
D763,076 S * 8/2016 Lane D9/446
D767,390 S * 9/2016 Miksovsky D7/392.1
D769,671 S * 10/2016 Bielawski D7/392.1
2006/0016819 A1 * 1/2006 Paslawski B65D 1/0292
220/666
2009/0236341 A1 * 9/2009 McKinney A47G 19/2266
220/375

(Continued)

OTHER PUBLICATIONS

A Few of the Best Travel Water Bottles Perfect for Any Trip, posted at Welltraveledmile.com, posted on Sep. 22, 2016, site visited Dec. 5, 2016, <<http://www.welltraveledmile.com/a-few-of-the-best-travel-water-bottles-perfect-for-any-trip/>>.*

(Continued)

Primary Examiner — Barbara Fox
Assistant Examiner — Messina L Smith
(74) *Attorney, Agent, or Firm* — Maschoff Brennan

(57) **CLAIM**

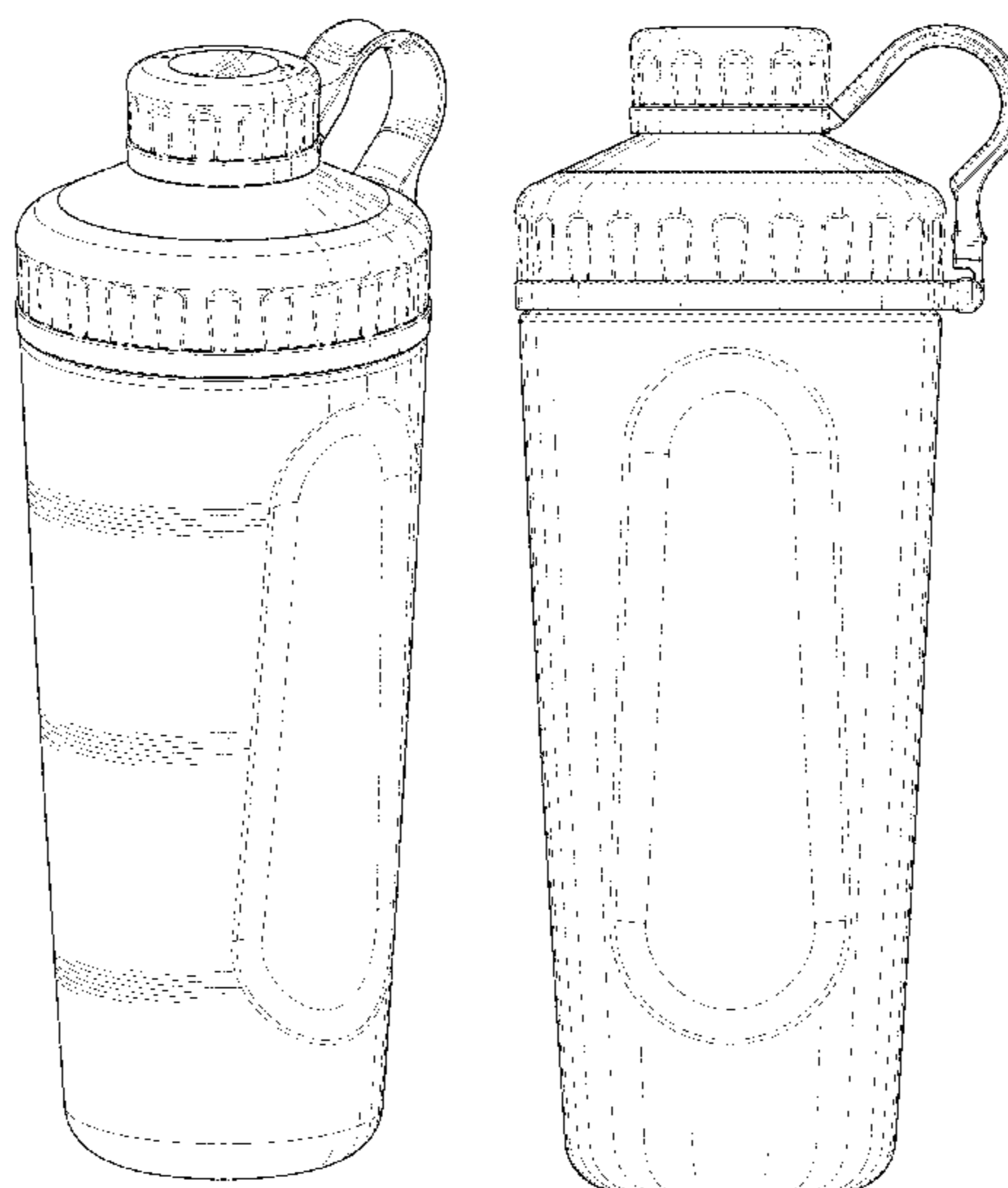
The ornamental design for a container with lid, as shown and described.

DESCRIPTION

FIG. 1 is an upper perspective view of a container with lid, showing our new design;
FIG. 2 is a lower perspective view thereof;
FIG. 3 is a front view thereof;
FIG. 4 is a rear view thereof;
FIG. 5 is a left side view thereof;
FIG. 6 is a right side view thereof;
FIG. 7 is a top view thereof; and,
FIG. 8 is a bottom view thereof.

The broken lines in the figures illustrate portions of the container with lid that form no part of the claimed design.

1 Claim, 8 Drawing Sheets



(56)

References Cited

U.S. PATENT DOCUMENTS

2011/0278216 A1* 11/2011 Hull A47G 19/2266
210/236
2015/0173540 A1* 6/2015 Albers B65B 3/045
220/715

OTHER PUBLICATIONS

Ollydog Ollybottle Travel Water Bottle W Removable Dish, posted at Dogscene.com, no posting date given, © 2016, site visited Dec. 5, 2016, <<https://www.dogscene.com/products/ollydog-ollybottle-travel-water-bottle-w-removable-dish>>.*

Eco Vessel Twist Triple Insulated Stainless Steel Bottle, 13 oz—Black Skulls, posted at Reuseit.com, no posting date given, © 2016, site visited Dec. 5, 2016, <<http://www.reuseit.com/eco-vessel-twist-triple-insulated-stainless-steel-bottle-13-oz-black-skulls.htm>>.*

Examination Report from European Union Design Application No. 003298561-0001, dated Jul. 19, 2016.

Examination Report from European Union Design Application No. 003298454-0001/003298454-0002, dated Jul. 19, 2016.

U.S. Appl. No. 29/552,965, filed Jan. 27, 2016, Sorensen, et al.

U.S. Appl. No. 29/552,966, filed Jan. 27, 2016, Sorensen, et al.

* cited by examiner

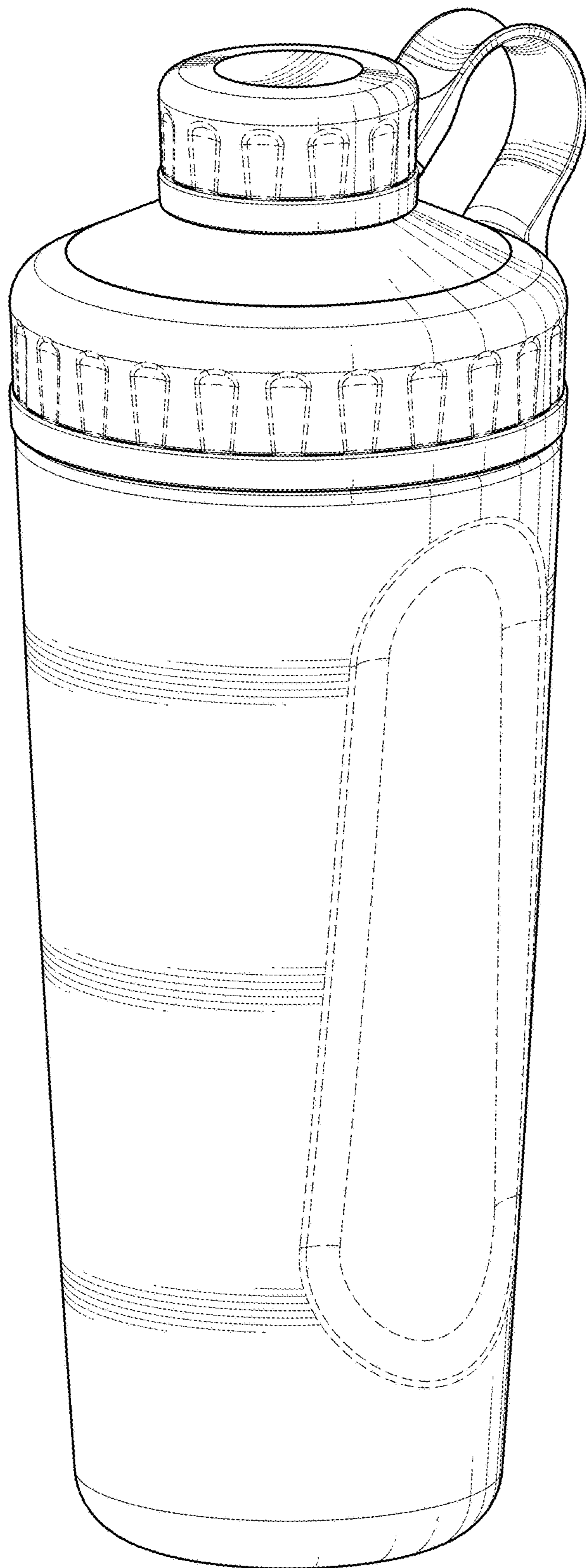


FIG. 1

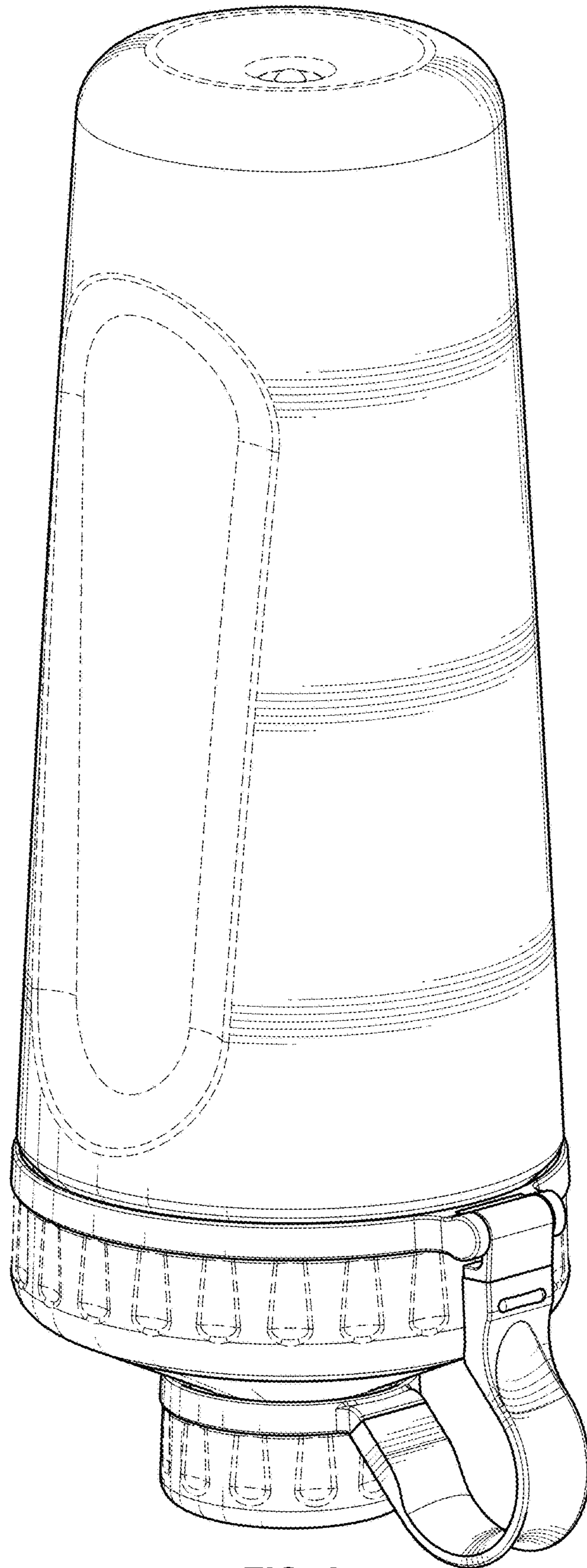


FIG. 2

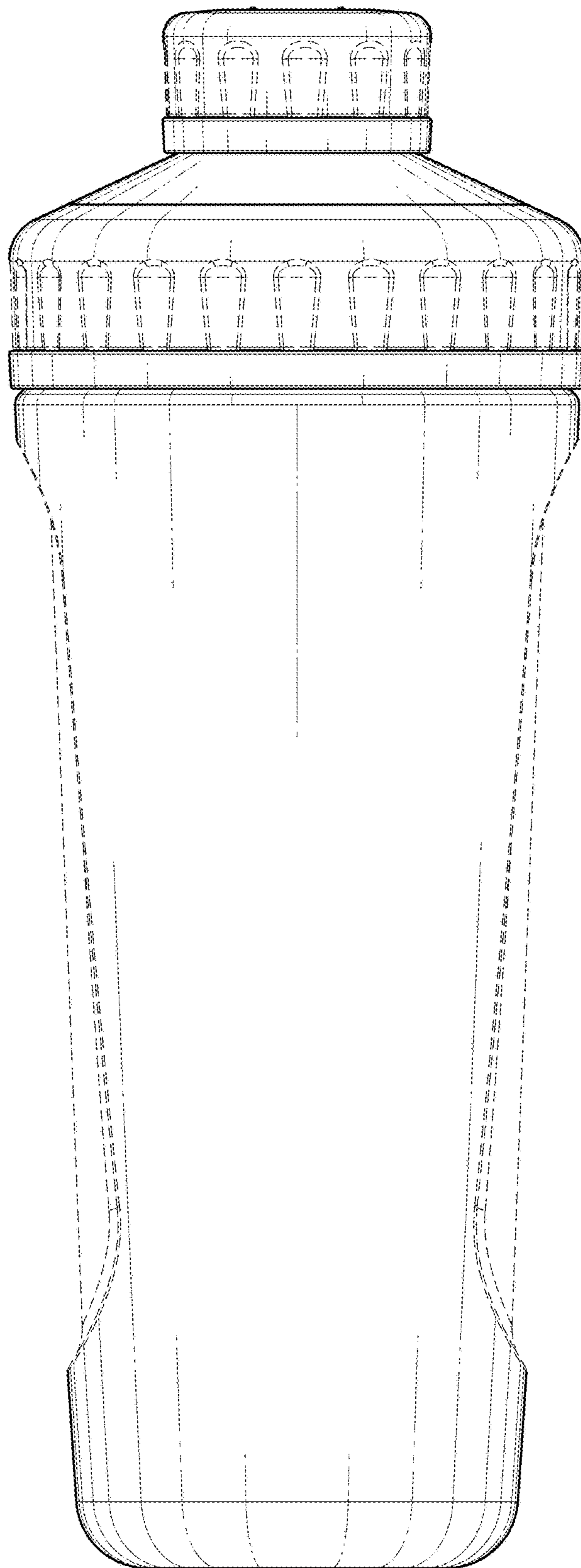


FIG. 3

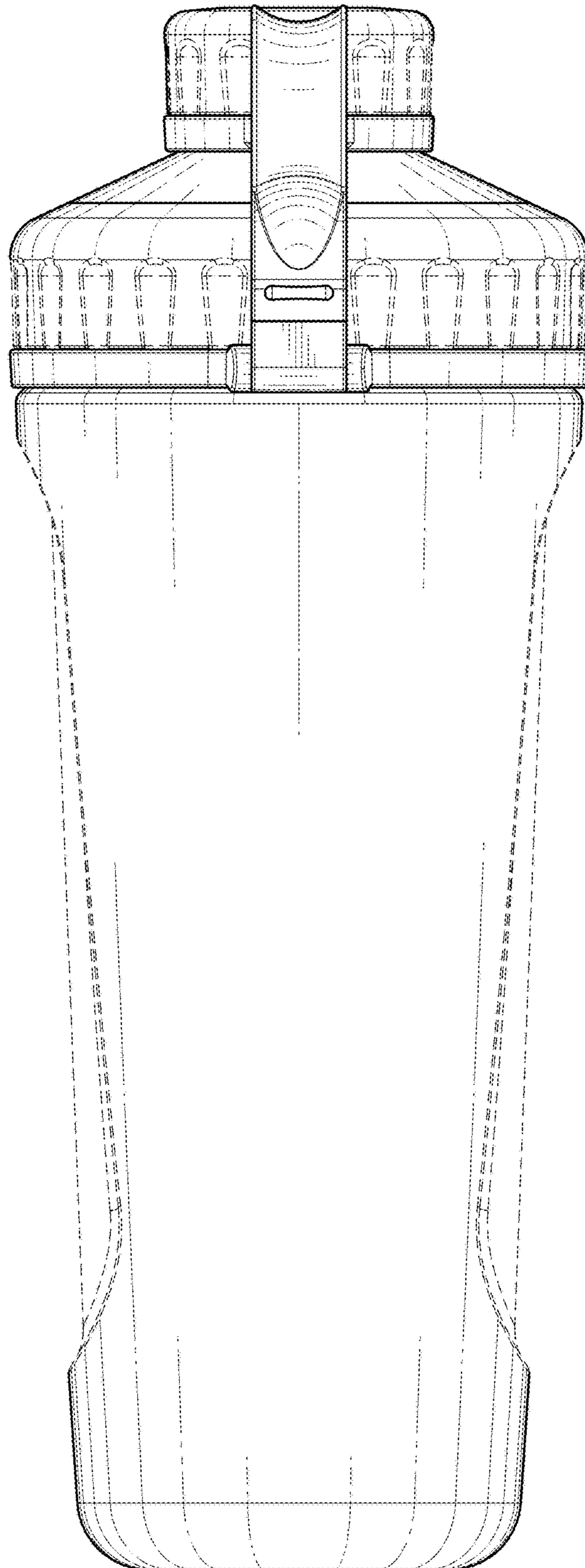


FIG. 4

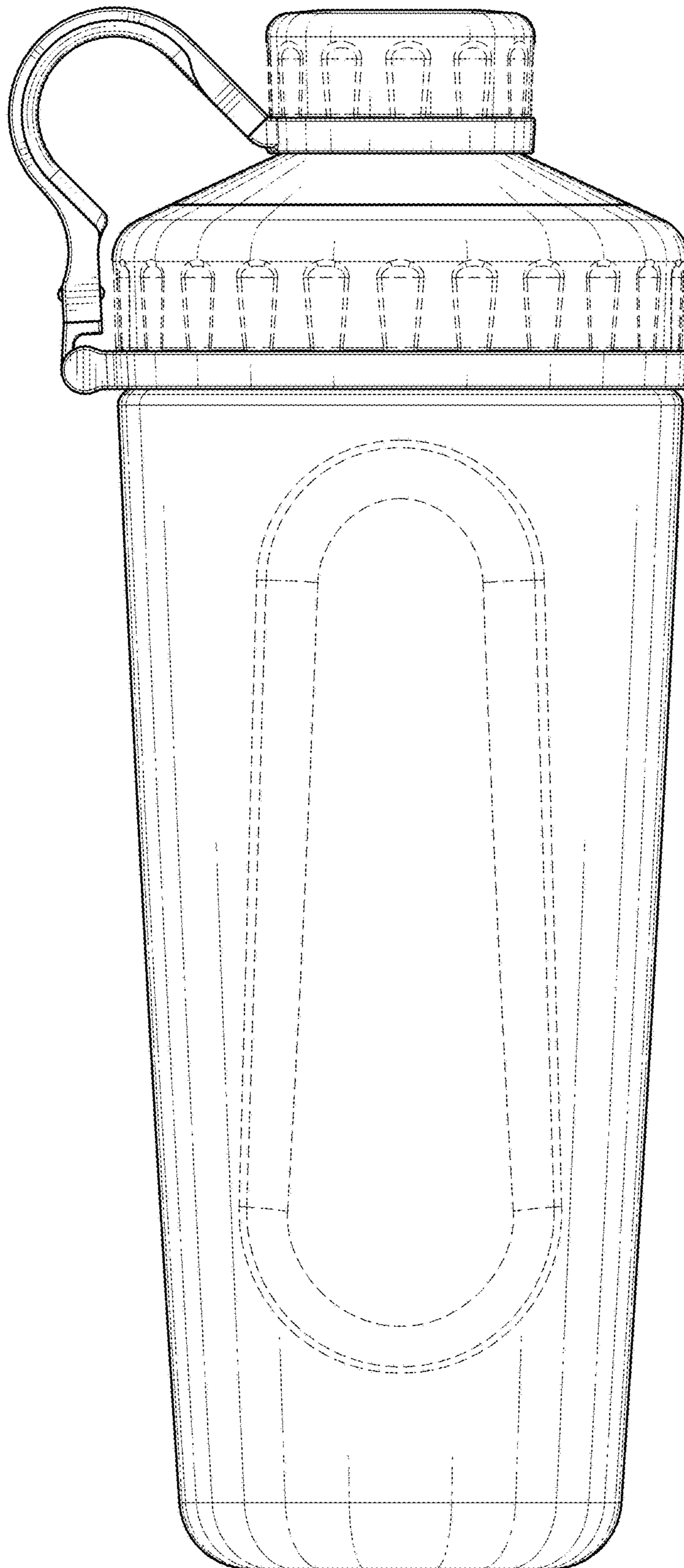


FIG. 5

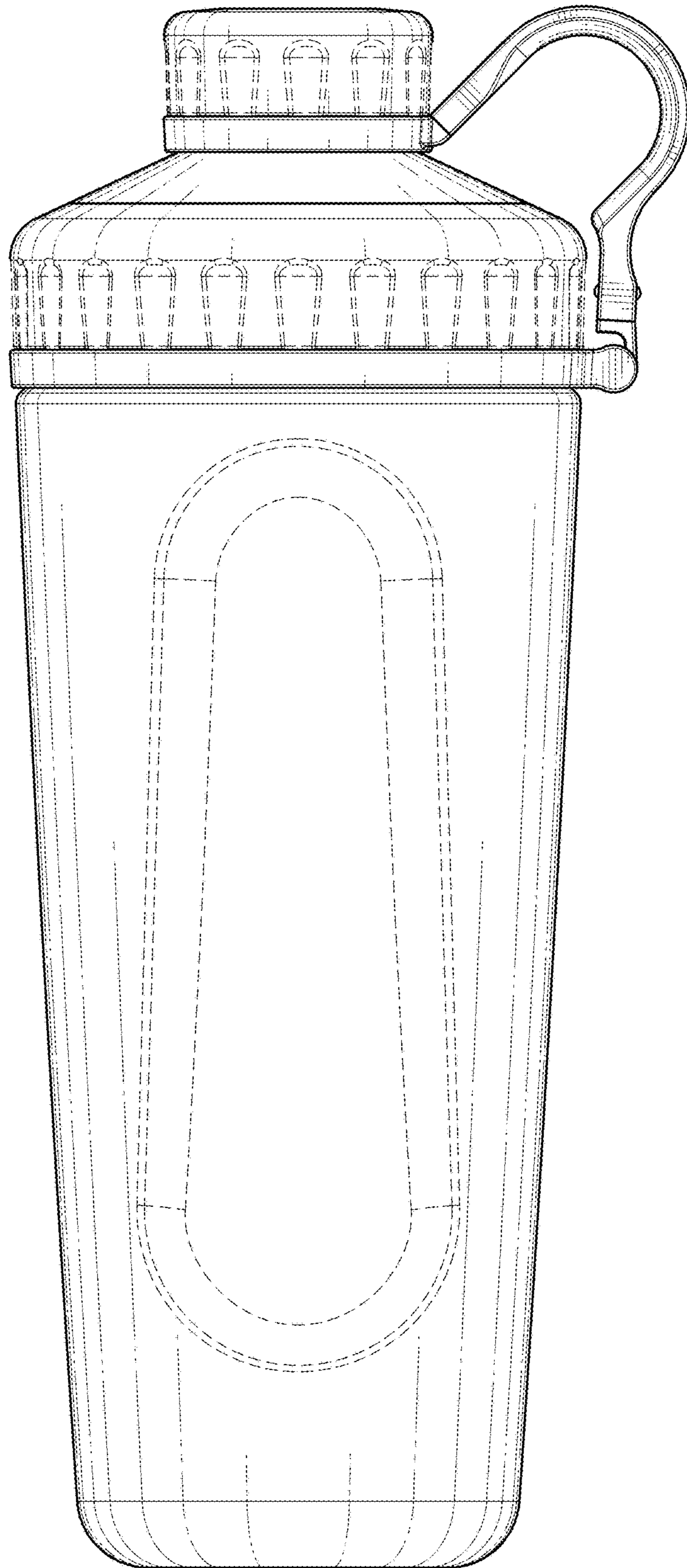


FIG. 6

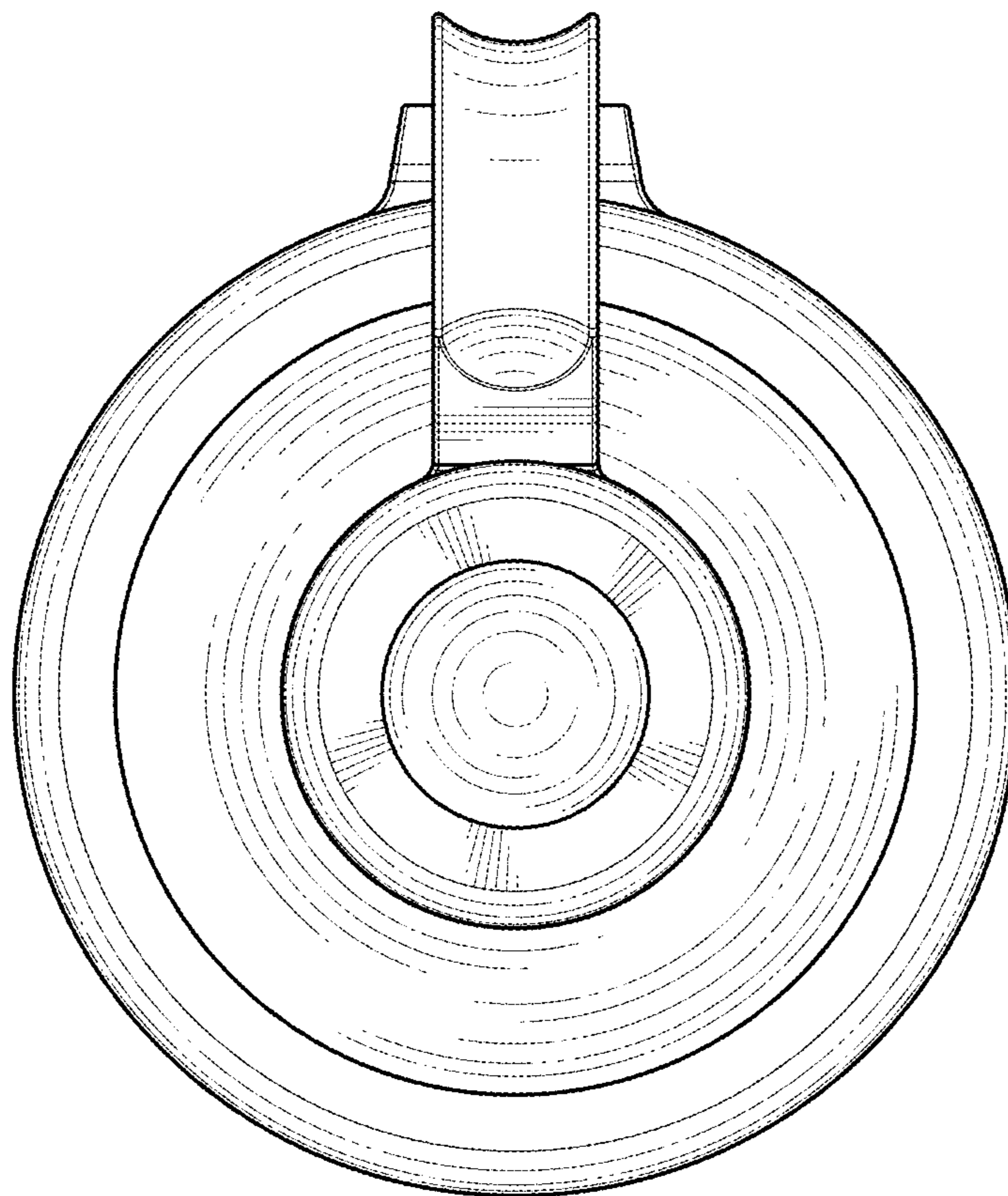


FIG. 7

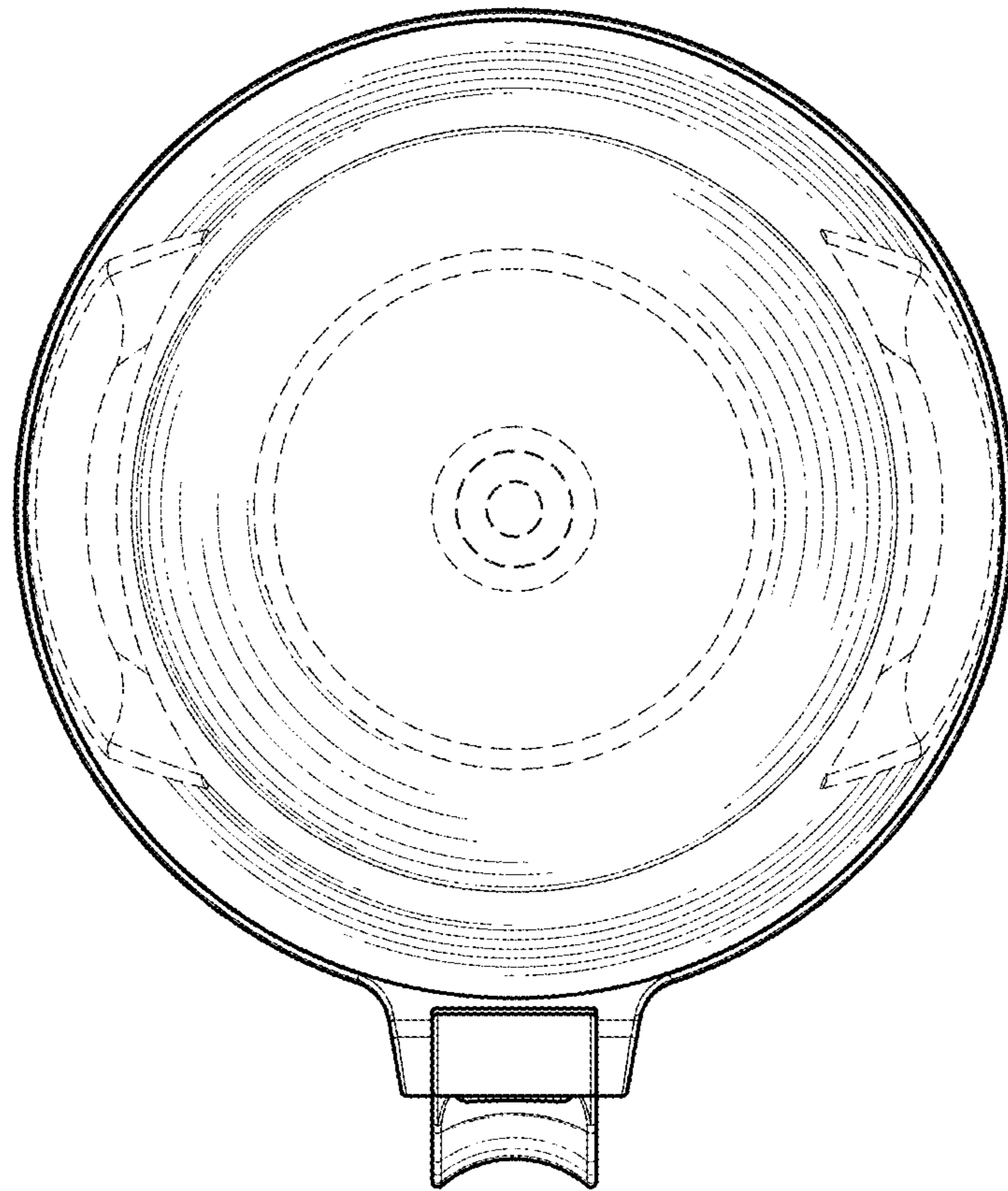


FIG. 8