



US00D795645S

(12) **United States Design Patent** (10) **Patent No.:** **US D795,645 S**
Peng (45) **Date of Patent:** **** *Aug. 29, 2017**

(54) **WATER BOTTLE**
(71) Applicant: **Pandian Peng**, Shenzhen (CN)
(72) Inventor: **Pandian Peng**, Shenzhen (CN)
(*) Notice: This patent is subject to a terminal disclaimer.
(**) Term: **14 Years**
(21) Appl. No.: **29/506,101**
(22) Filed: **Oct. 13, 2014**
(51) **LOC (10) Cl.** **07-01**
(52) **U.S. Cl.**
USPC **D7/511; D7/510; D7/532; D9/503**
(58) **Field of Classification Search**
USPC D7/507-515, 300.2, 396.1, 396.2, 523, D7/532, 534, 300, 300.1, 591, 608, 529; D9/503, 504, 545, 549, 542, 436, 440, D9/516, 452, 500, 569, 570, 562, 546, D9/575, 435, 442, 443, 447, 550, 528, D9/517, 529, 431, 565; D24/197, 199; 215/228, 229, 325, 328, 387, 388; 220/592.2, 592.17, 12.1
CPC A61J 11/0005; A61J 9/00; B65D 47/061; B65D 59/04; B65D 81/3865; B65D 47/063; B65D 47/065; B65D 47/066; A47G 19/22; A47G 2019/2294; A47G 19/2205; A47G 19/2266; A47G 19/2272; Y10S 220/903
See application file for complete search history.

(56) **References Cited**
U.S. PATENT DOCUMENTS
D180,820 S * 8/1957 Du Pree D7/317
D217,758 S * 6/1970 Schwekchart D9/523
D289,012 S * 3/1987 Strand D9/500
D324,333 S * 3/1992 Griffin D24/117
D352,004 S * 11/1994 Bikoff D9/443
D414,369 S * 9/1999 Miller D7/300

D415,031 S * 10/1999 Mahlmann D9/520
6,079,589 A * 6/2000 Matsuyama B65D 47/147
215/306
6,095,378 A * 8/2000 Potts B65D 83/38
222/402.1
D436,041 S * 1/2001 Bang D9/503
D480,305 S * 10/2003 Nusbaum D9/435
D492,597 S * 7/2004 Norris D9/442
D507,182 S * 7/2005 Maddy D9/504
D528,921 S * 9/2006 Leoncavallo D7/511
D530,611 S * 10/2006 Nusbaum D9/446
D538,158 S * 3/2007 Py D9/442
D540,677 S * 4/2007 Stull D9/447
D580,274 S * 11/2008 Abel D9/689
7,611,025 B2 * 11/2009 Nusbaum B65D 47/0838
215/235

(Continued)

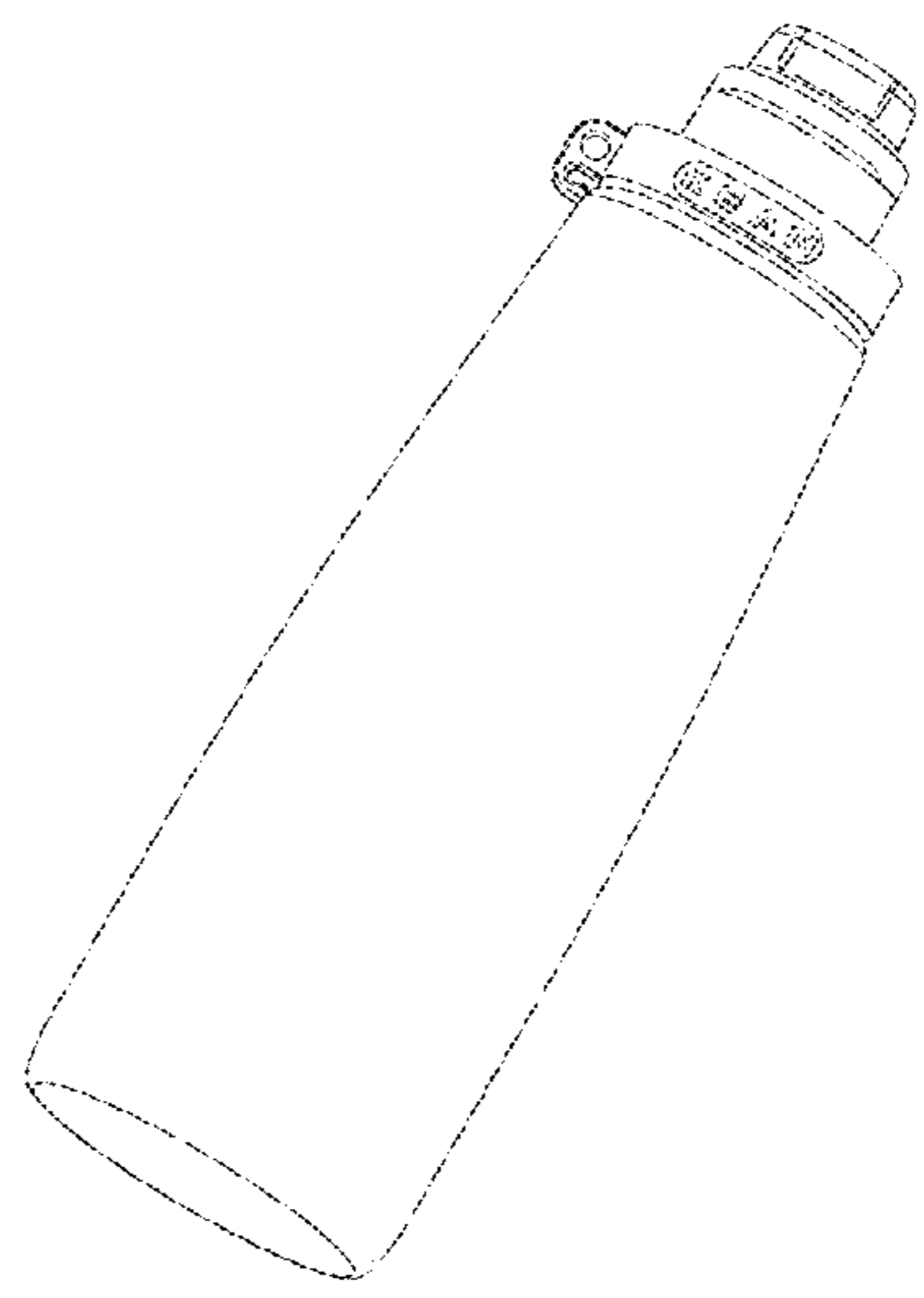
Primary Examiner — Marianne Pandozzi
Assistant Examiner — Jae Liang

(57) **CLAIM**
The ornamental design for a water bottle, as shown and described.

DESCRIPTION

FIG. 1 is a perspective view of a water bottle showing my new design;
FIG. 2 is a front view thereof;
FIG. 3 is a rear view thereof;
FIG. 4 is a left side view thereof;
FIG. 5 is a right side view thereof;
FIG. 6 is an enlarged top plan view thereof for ease illustration;
FIG. 7 is an enlarged bottom plan view thereof for ease of illustration;
FIG. 8 is a cross-section view thereof taken along line 8-8 in FIG. 6; and,
FIG. 9 is a cross-section view thereof taken along line 9-9 in FIG. 6.
In the drawings, the broken lines depict unclaimed subject matter and form no part of the claimed design.

1 Claim, 9 Drawing Sheets



(56)

References Cited

U.S. PATENT DOCUMENTS

D615,404 S *	5/2010	Pitzer	D9/500
D621,260 S *	8/2010	Brannon	D9/446
D629,685 S *	12/2010	Brannon	D9/446
D646,572 S *	10/2011	Koeleman	D9/500
D671,409 S *	11/2012	Cohen	D9/500
D672,241 S *	12/2012	Sawicki	D9/449
D673,044 S *	12/2012	Wisniewski	D9/443
D705,067 S *	5/2014	Dubitsky	D9/444
D708,954 S *	7/2014	Barnes	D7/511
D716,661 S *	11/2014	Dubitsky	D9/435
D725,967 S *	4/2015	Peng	D7/511

* cited by examiner

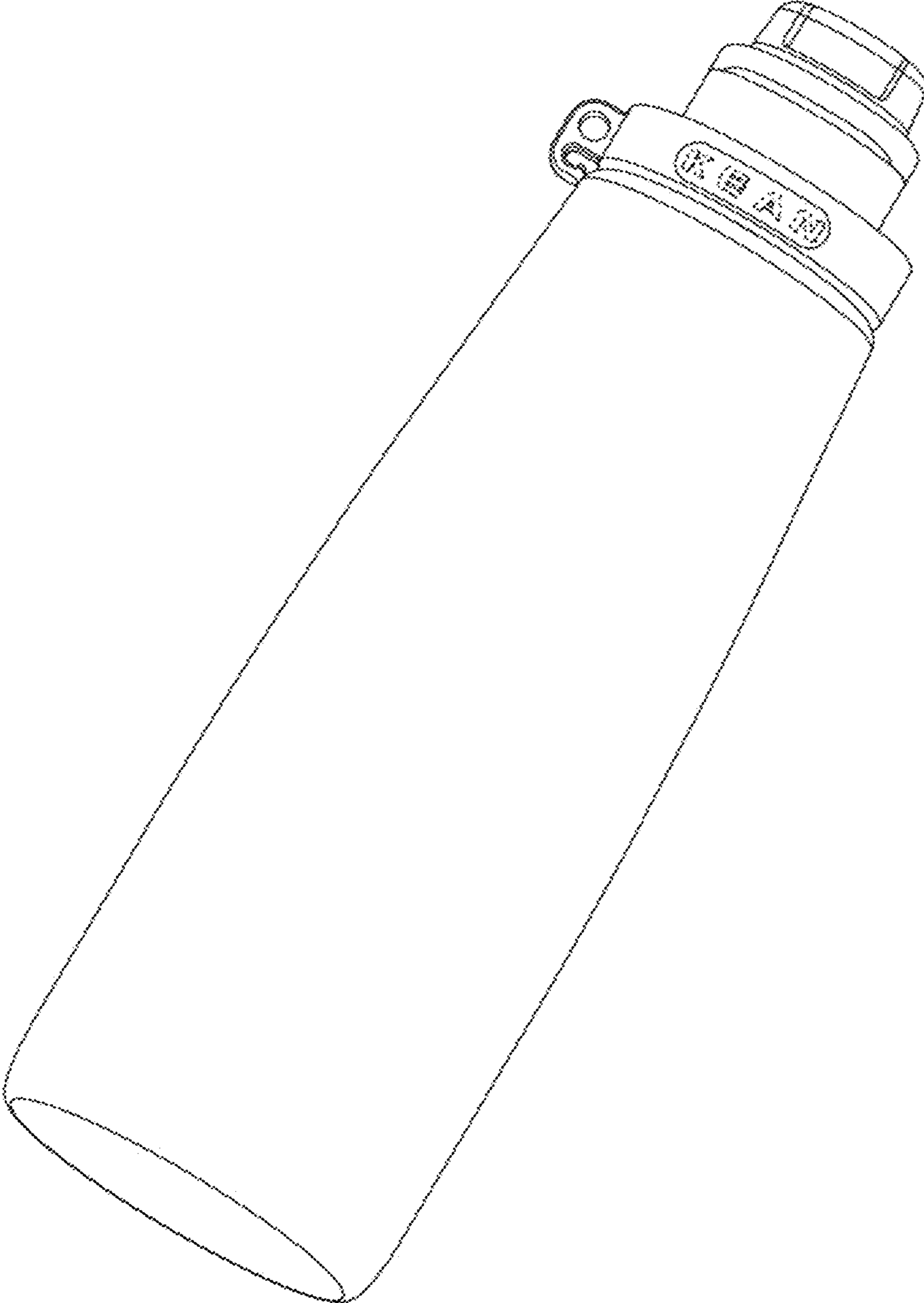


FIG. 1

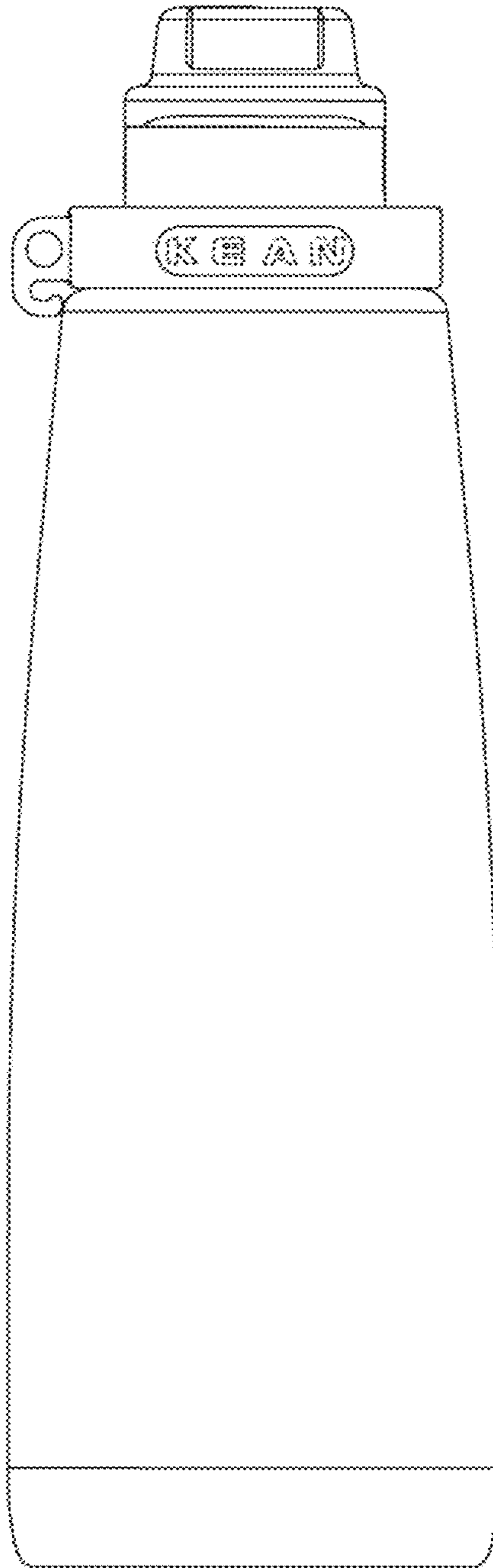


FIG. 2

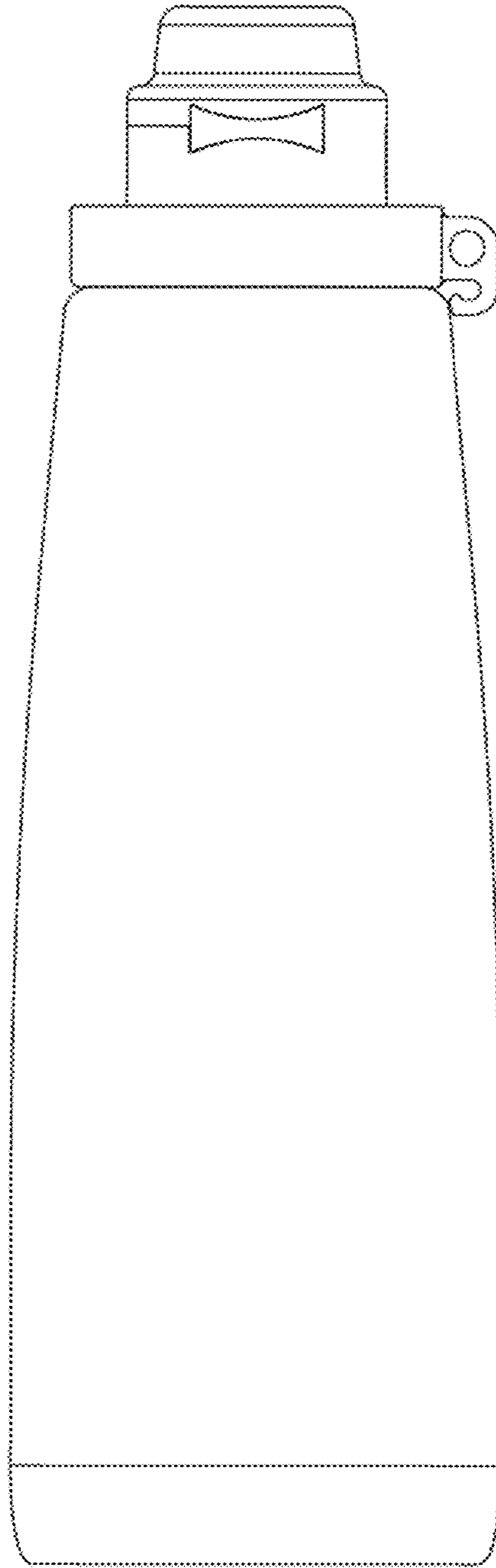


FIG. 3

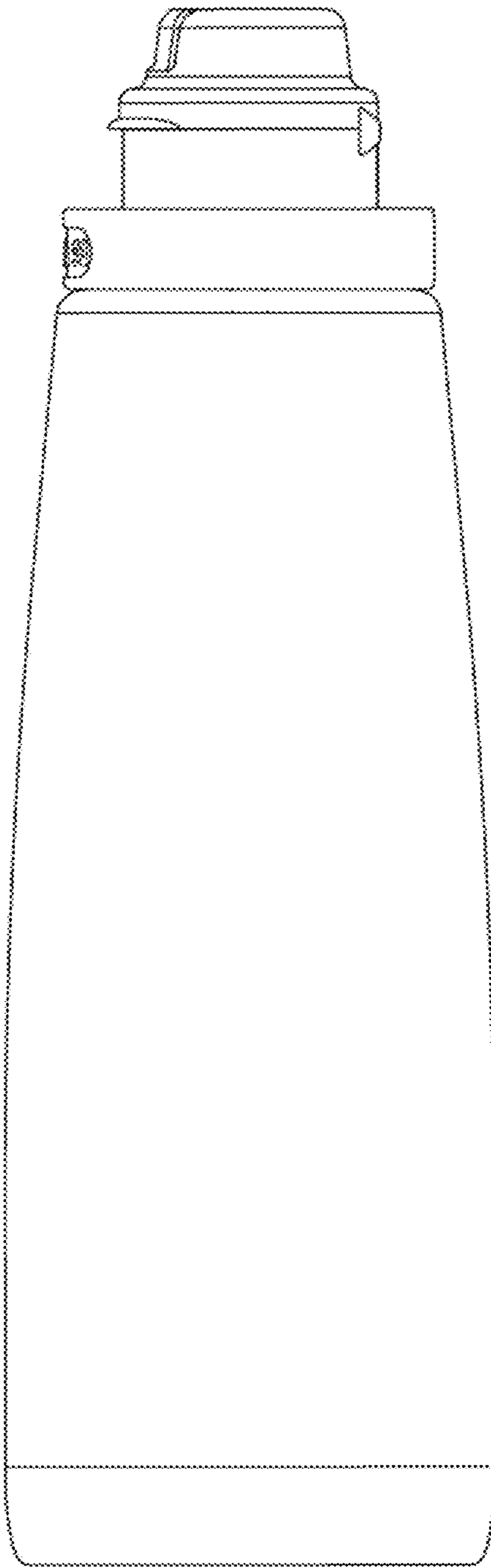


FIG. 4

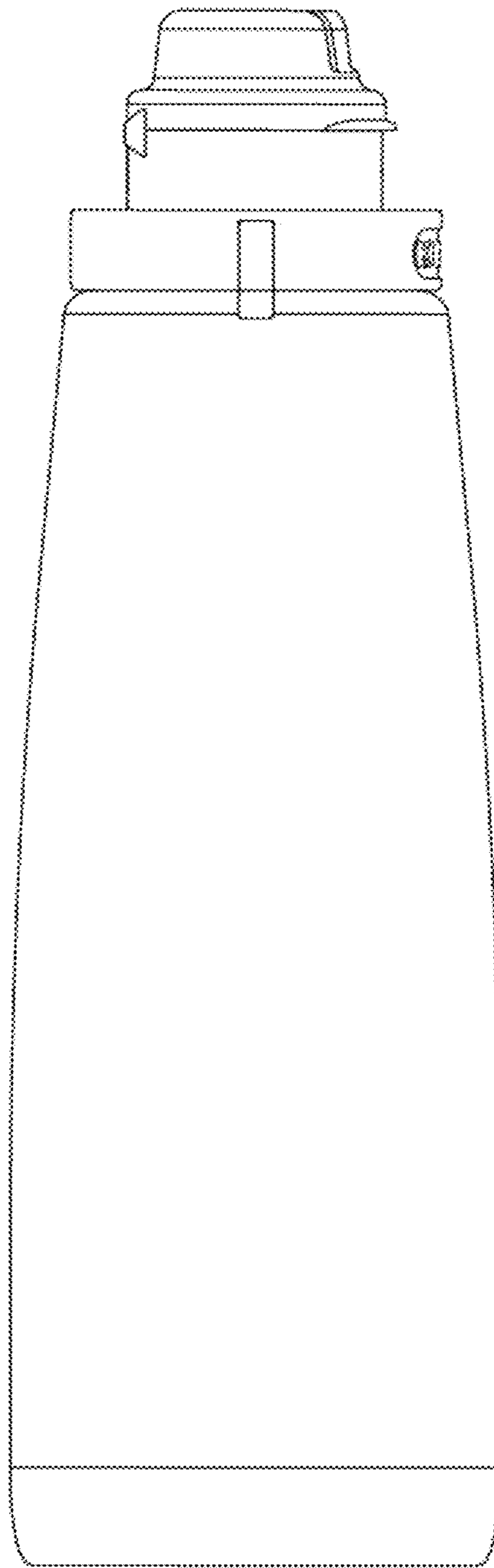


FIG. 5

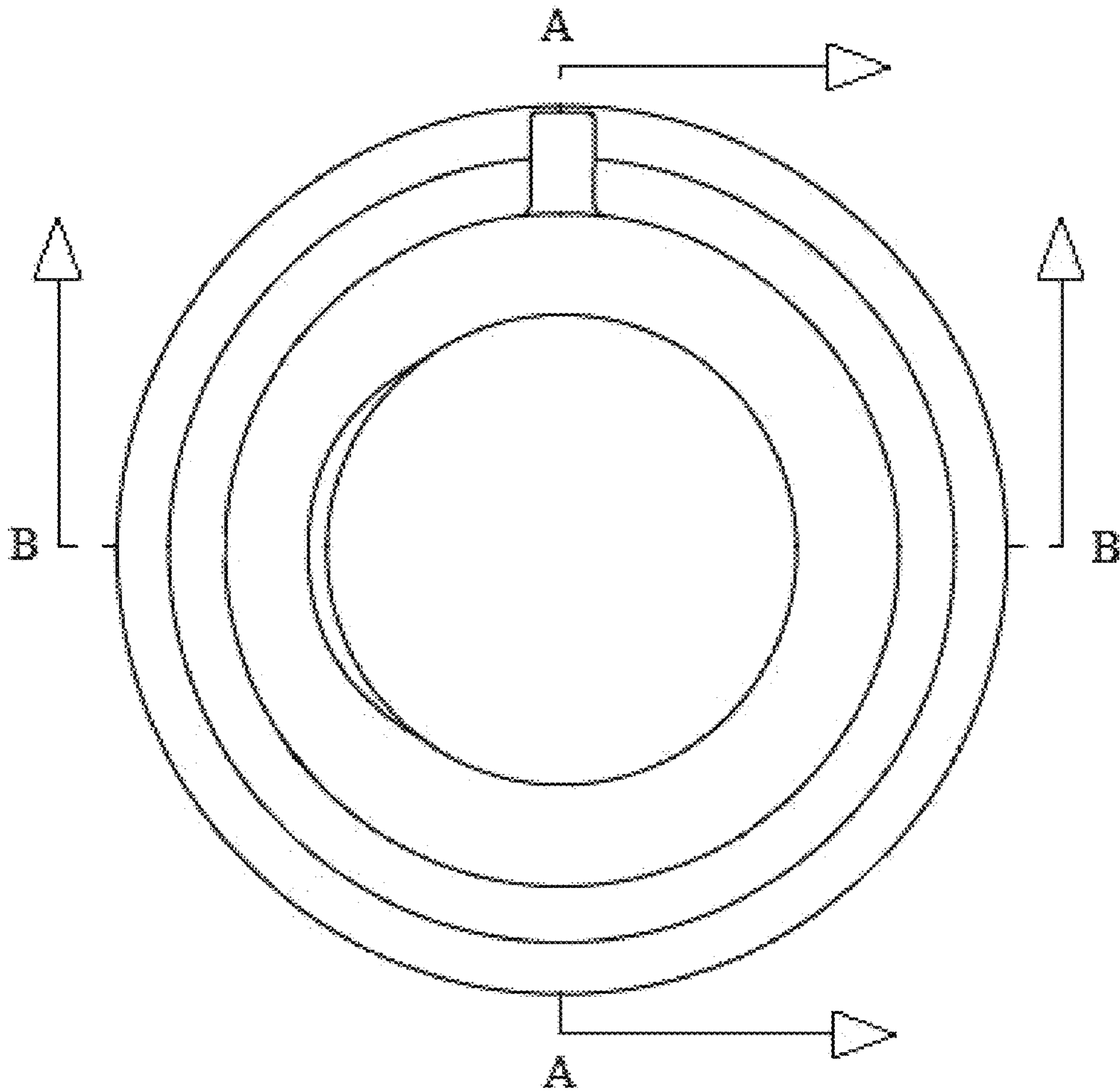


FIG. 6

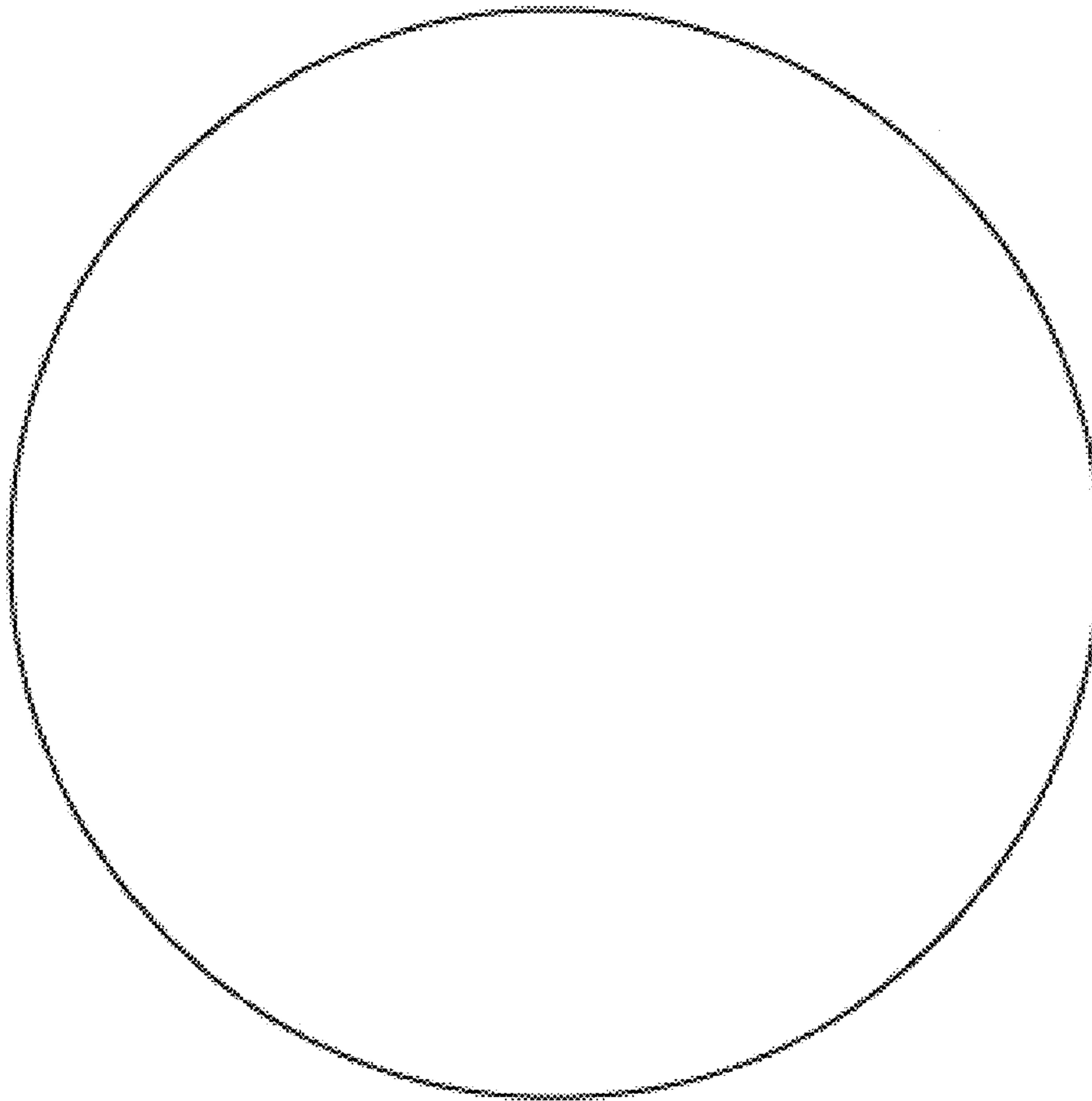


FIG. 7

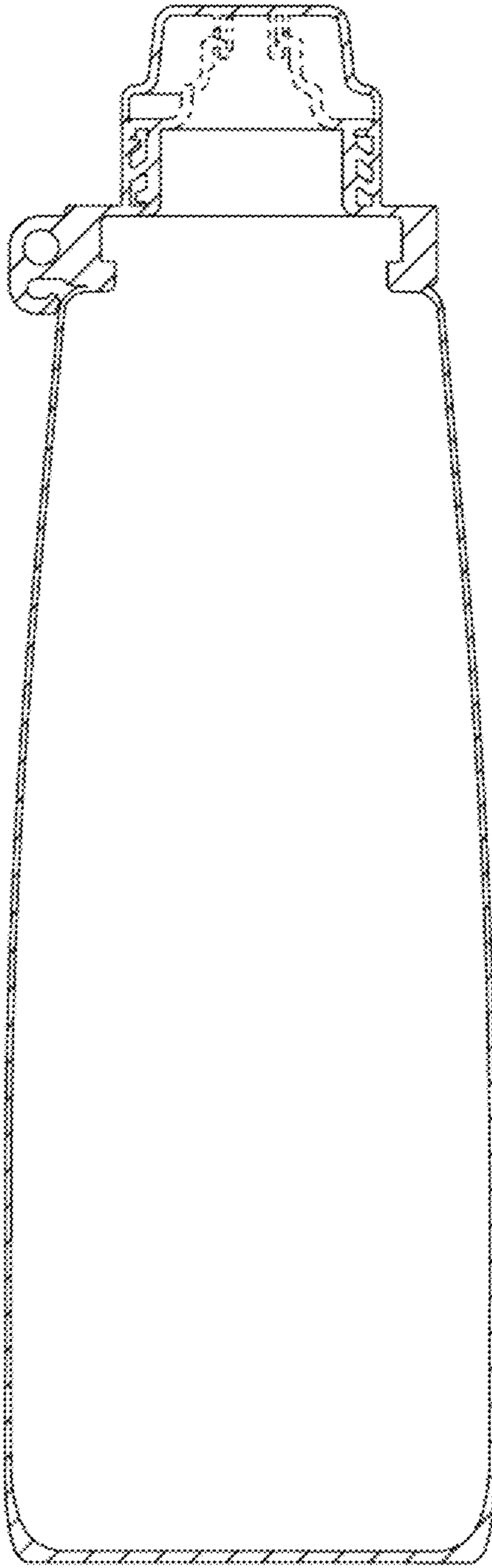


FIG. 8

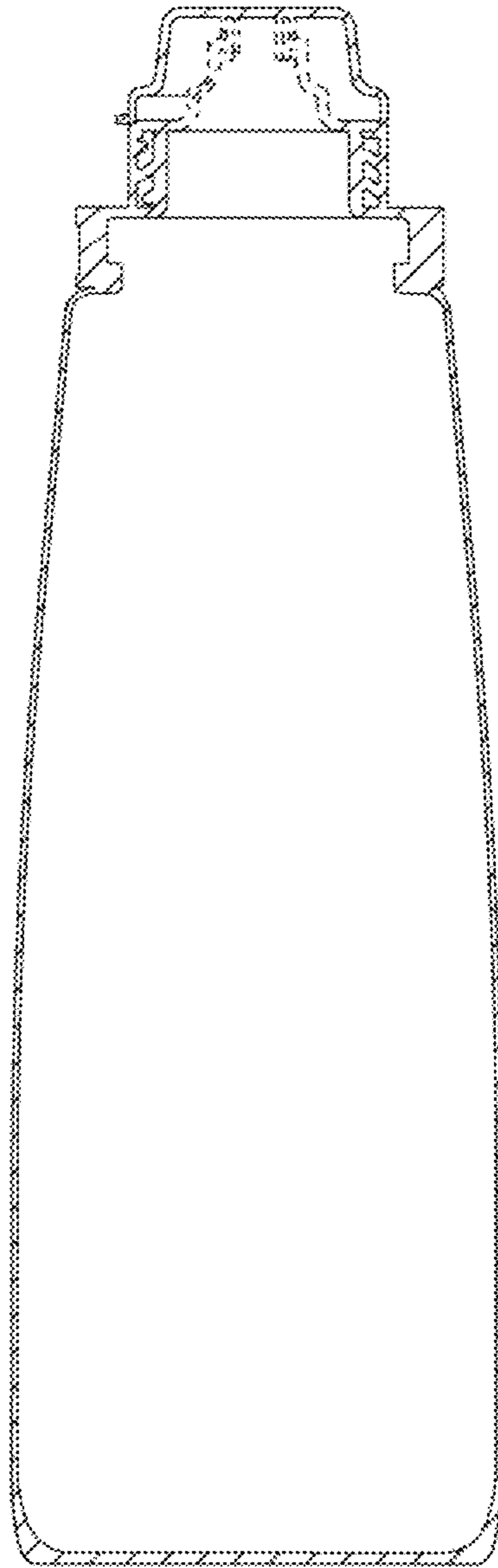


FIG. 9