

US00D795644S

(12) **United States Design Patent** (10) **Patent No.:** **US D795,644 S**  
**Cortadellas et al.** (45) **Date of Patent:** **\*\* Aug. 29, 2017**

(54) **BOTTLE**  
(71) Applicant: **PepsiCo, Inc.**, Purchase, NY (US)  
(72) Inventors: **Xavi Cortadellas**, Miami, FL (US); **Christopher Michael Hintermeister**, Highland Park, IL (US); **Sean Joseph Huls**, Chicago, IL (US); **Drew Alexander Read Palin**, Kenilworth, IL (US); **Sameer Kirti Talsania**, Chicago, IL (US); **Meegan Patricia Daigler**, New York, NY (US); **Tucker Fort**, Brooklyn, NY (US); **Laura Sink**, Brooklyn, NY (US); **Alexander Ian James Wastney**, Brooklyn, NY (US)

D410,364 S 6/1999 Ramirez et al.  
D414,238 S 9/1999 Kupperman  
6,105,799 A 8/2000 Takagawa  
D464,263 S 10/2002 White et al.  
D567,021 S 4/2008 Bach et al.  
D569,685 S 5/2008 Liu  
D581,278 S 11/2008 Shibata et al.  
D588,870 S 3/2009 Rasmussen  
D598,706 S \* 8/2009 Neace ..... D7/399  
D626,415 S 11/2010 Kolano  
D647,364 S 10/2011 Audette et al.  
D650,677 S 12/2011 Wurster et al.  
D661,549 S 6/2012 Kemper et al.  
D668,150 S 10/2012 Crapser et al.

(Continued)

FOREIGN PATENT DOCUMENTS

(73) Assignee: **PepsiCo, Inc.**, Purchase, NY (US)

WO WO 2013/103589 7/2013

(\*\*) Term: **15 Years**

*Primary Examiner* — Daniel Bui

*Assistant Examiner* — Andrew Kerr

(21) Appl. No.: **29/564,417**

(74) *Attorney, Agent, or Firm* — Sterne, Kessler, Goldstein & Fox P.L.L.C.

(22) Filed: **May 12, 2016**

(51) **LOC (10) Cl.** ..... **07-01**

(52) **U.S. Cl.**  
USPC ..... **D7/510**

(58) **Field of Classification Search**  
USPC ..... D7/510, 900; D9/434, 435, 436, 438, D9/445, 452, 453, 454; D24/224; 215/200, 235, 236, 252, 254, 329, 215/355–364; 220/556  
CPC ..... A47G 19/22  
See application file for complete search history.

(57) **CLAIM**

The ornamental design for a bottle, as shown and described.

**DESCRIPTION**

FIG. 1 is a top front perspective view of a bottle showing the claimed design;  
FIG. 2 is another top front perspective view thereof;  
FIG. 3 is a bottom front perspective view thereof;  
FIG. 4 is a front view thereof;  
FIG. 5 is a rear view thereof;  
FIG. 6 is a left side view thereof;  
FIG. 7 is a right side view thereof;  
FIG. 8 is a top view thereof; and,  
FIG. 9 is a bottom view thereof.

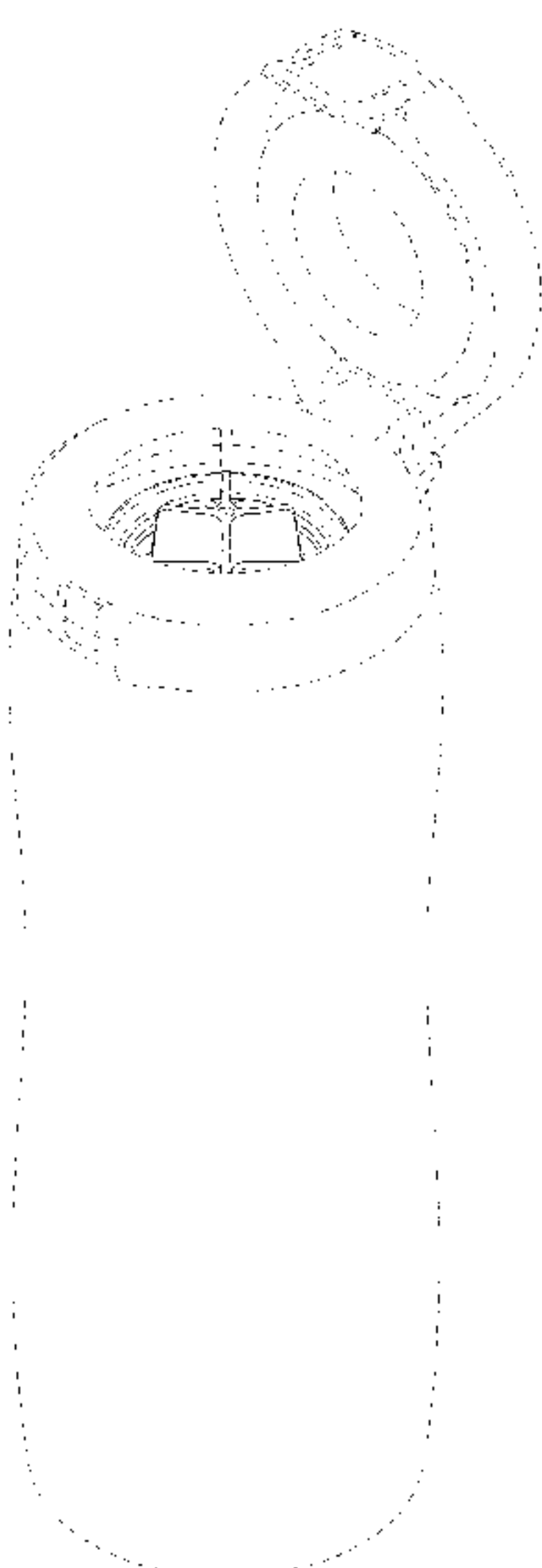
The broken lines in the figures show portions of the bottle that form no part of the claimed design.

(56) **References Cited**

U.S. PATENT DOCUMENTS

D232,915 S 9/1974 Becker  
D278,033 S 3/1985 Borkan et al.  
D316,035 S 4/1991 Pepitone  
D402,889 S 12/1998 Rutter  
D405,693 S 2/1999 Bretz et al.

**1 Claim, 8 Drawing Sheets**



(56)

**References Cited**

U.S. PATENT DOCUMENTS

D676,717	S	2/2013	Ceder	
8,365,913	B2	2/2013	Ceder	
8,365,941	B2	2/2013	Mayer	
D679,597	S *	4/2013	Tamarindo .....	D9/443
D688,531	S	8/2013	Ceder	
8,579,149	B2	11/2013	Henke et al.	
8,584,879	B2	11/2013	Melrose et al.	
D702,492	S	4/2014	Marina et al.	
D703,000	S	4/2014	Marina et al.	
D703,487	S	4/2014	Marina et al.	
D709,387	S	7/2014	Marina et al.	
D734,985	S *	7/2015	Furia .....	D7/399
D735,038	S *	7/2015	Tamarindo .....	D9/454
D771,435	S *	11/2016	Cutuli .....	D7/400
2004/0124192	A1	7/2004	Teller	
2007/0084821	A1	4/2007	Bysick et al.	

\* cited by examiner

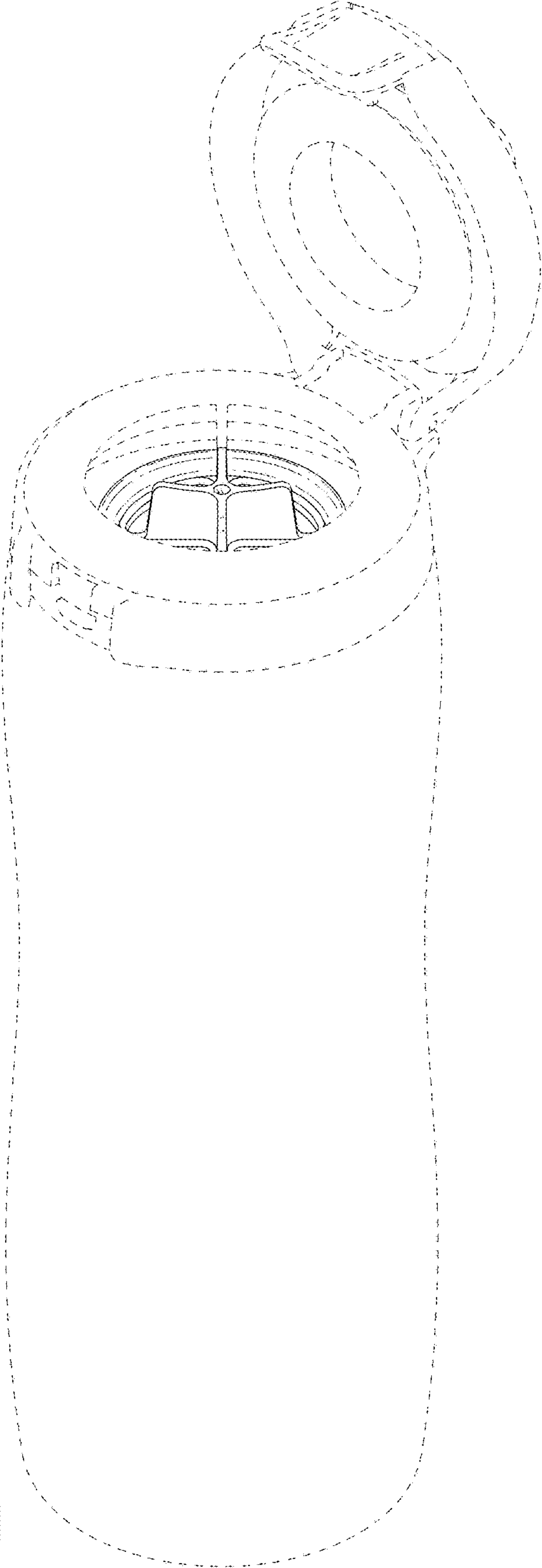


FIG. 1

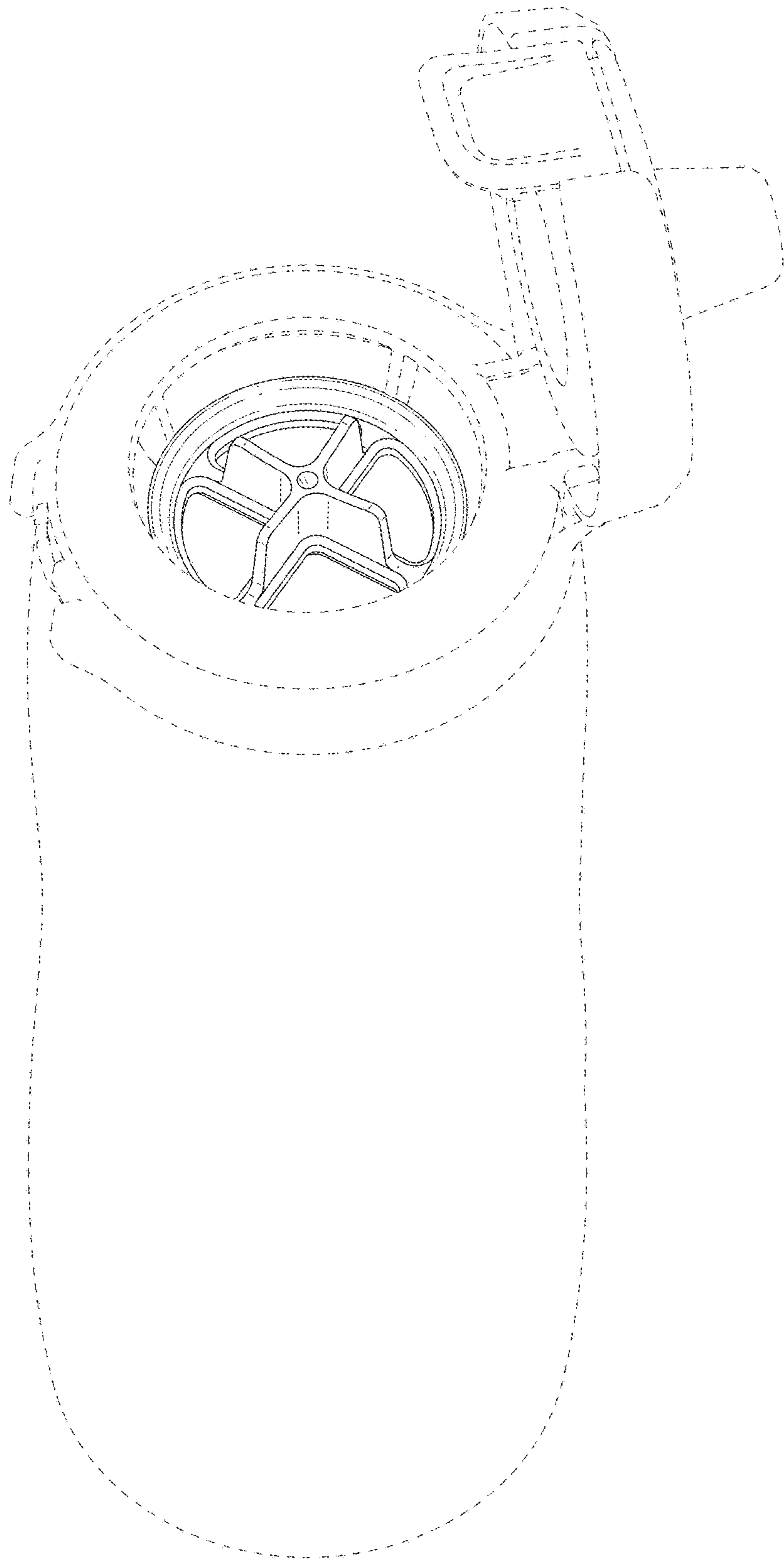


FIG. 2

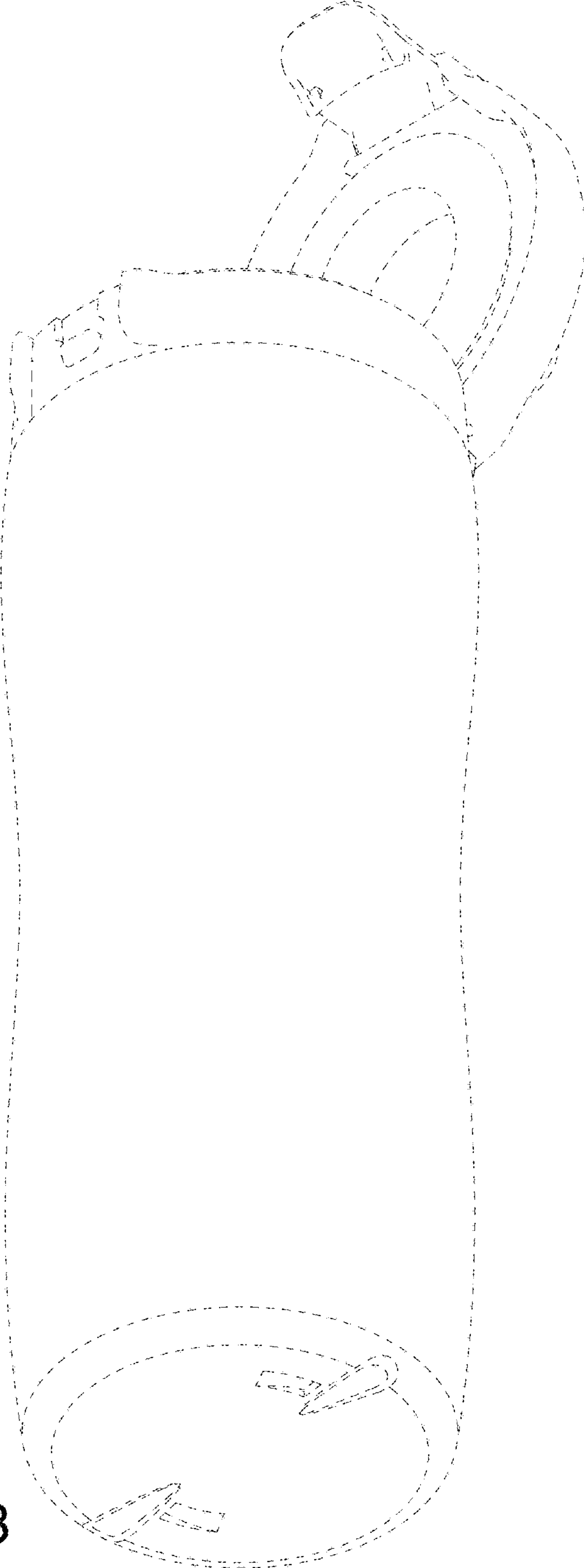


FIG. 3

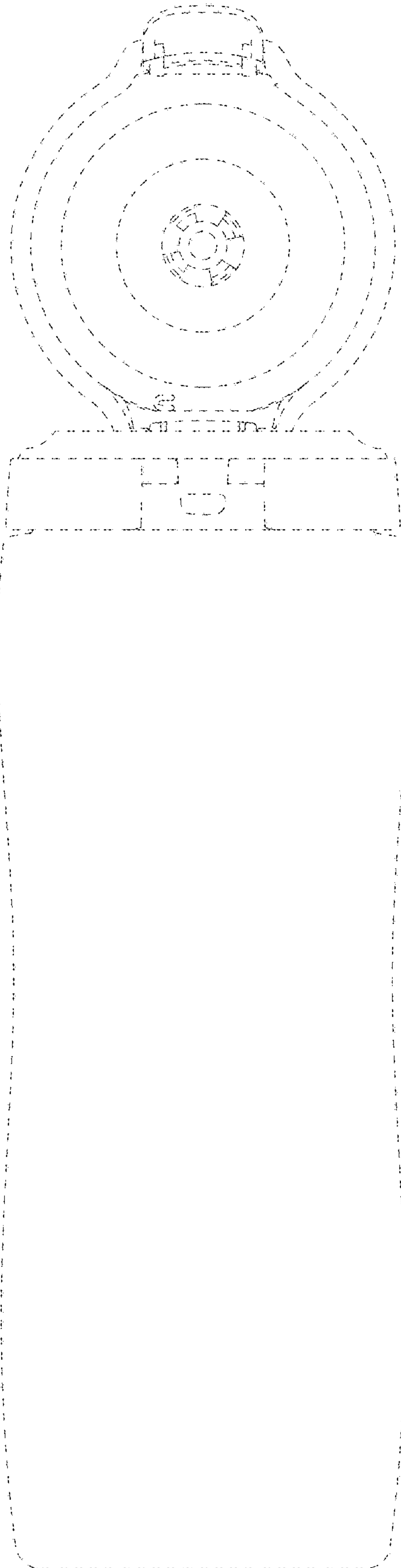


FIG. 4

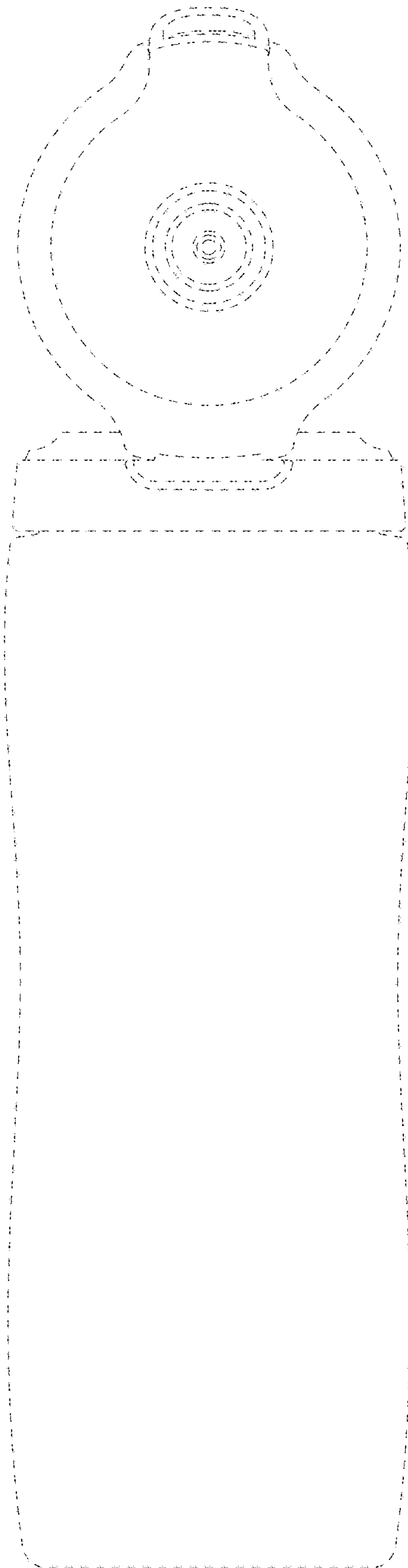


FIG. 5

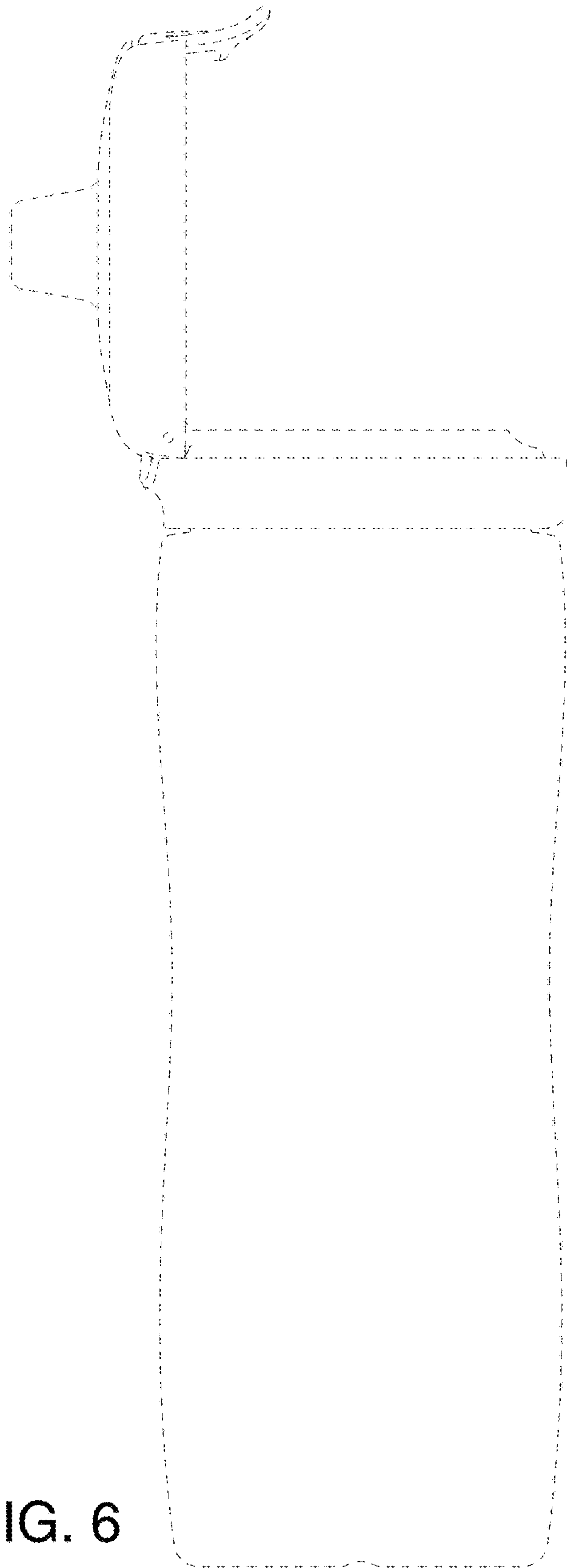


FIG. 6



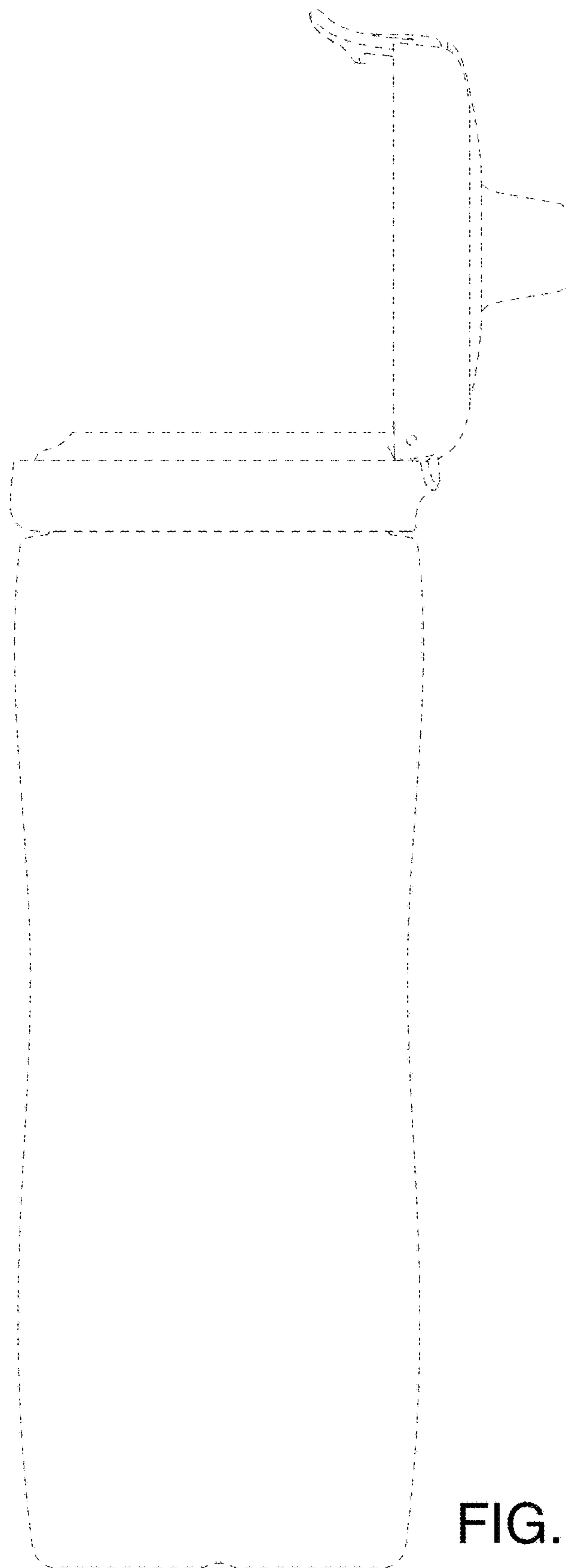


FIG. 7

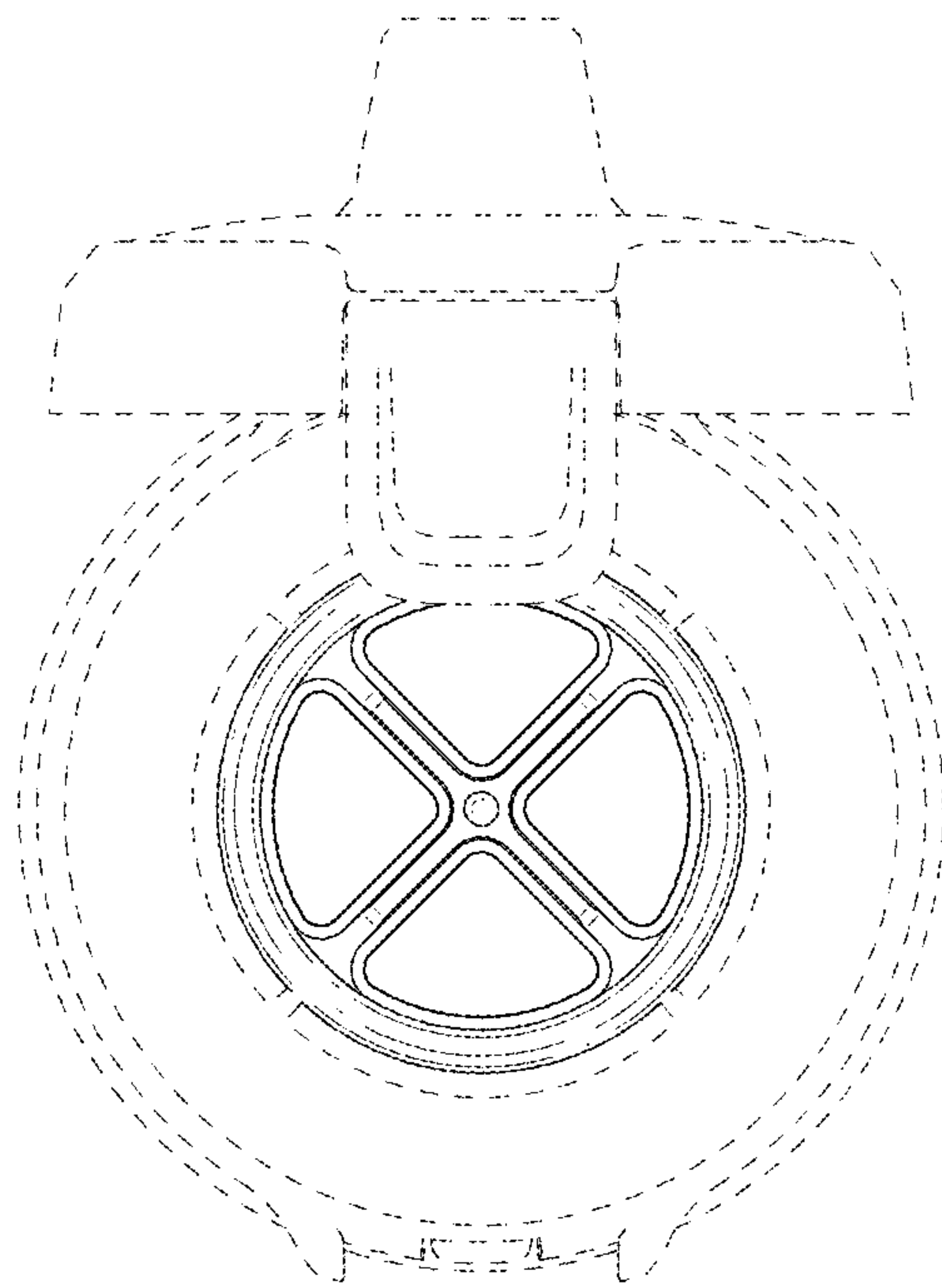


FIG. 8

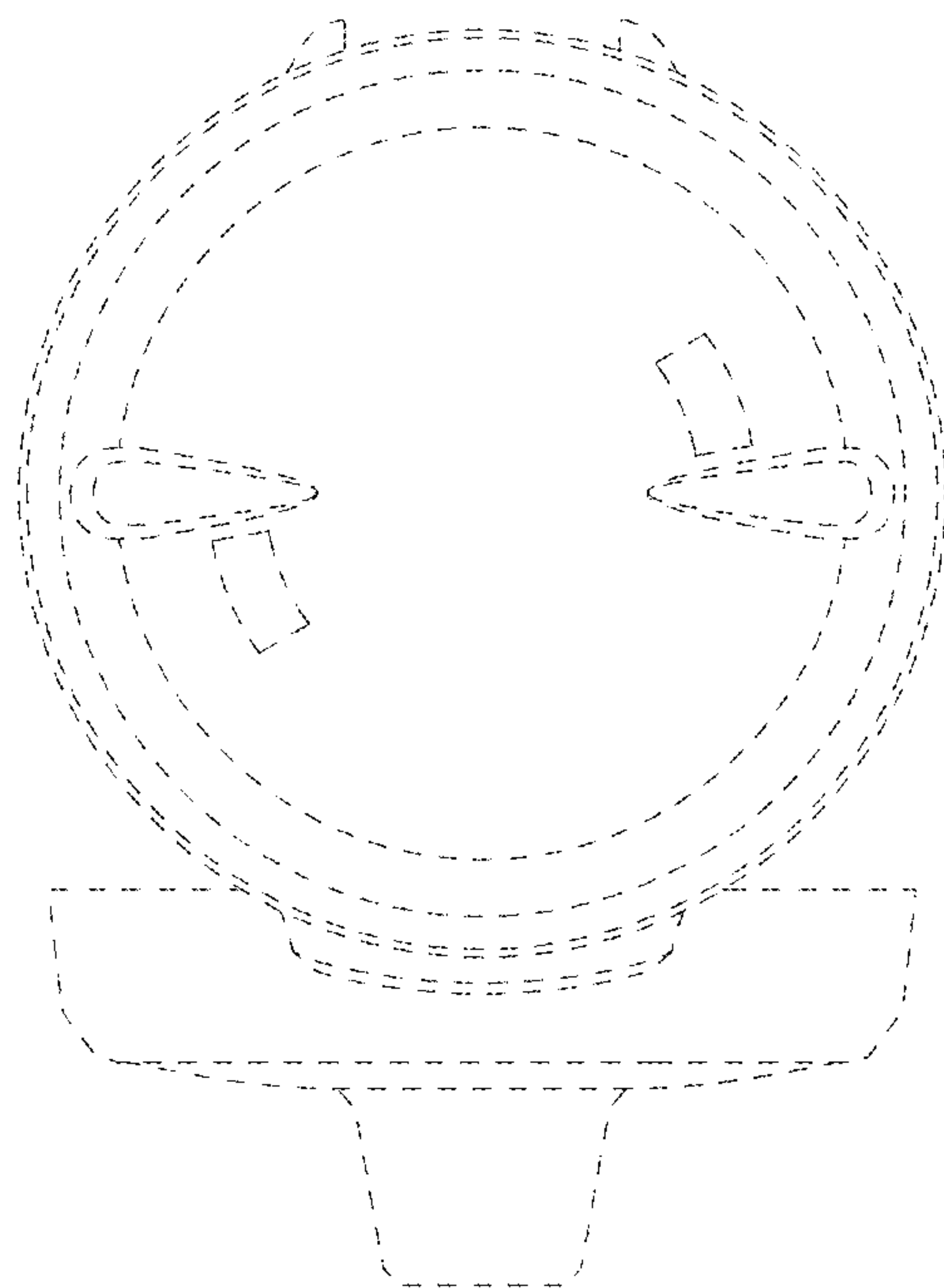


FIG. 9