



US00D795641S

(12) **United States Design Patent**
Spencer

(10) **Patent No.:** **US D795,641 S**

(45) **Date of Patent:** **** Aug. 29, 2017**

- (54) **ATTACHMENT FOR MIXER**
- (71) Applicant: **Kenwood Limited**, Havant, Hampshire (GB)
- (72) Inventor: **Robert Paul Spencer**, Havant (GB)
- (73) Assignee: **KENWOOD LIMITED**, Havant, Hampshire (GB)
- (**) Term: **14 Years**
- (21) Appl. No.: **29/516,589**
- (22) Filed: **Feb. 4, 2015**

4,337,000	A *	6/1982	Lehmann	B01F 7/00325
					366/288
5,001,973	A *	3/1991	Holcomb	A47J 17/02
					15/29
7,021,817	B2 *	4/2006	Huang	A47J 43/082
					366/331
D629,661	S *	12/2010	Lion	D7/672
D664,807	S *	8/2012	Annis	D7/376
D683,585	S *	6/2013	Nordwall	D7/379
2002/0105856	A1 *	8/2002	Terentiev	B01F 7/00325
					366/262
2008/0291776	A1 *	11/2008	Brunswick	A21C 1/02
					366/331
2013/0135964	A1 *	5/2013	Seidler	A47J 43/0711
					366/343
2015/0230480	A1 *	8/2015	Wang	A21C 1/1405
					366/97

(30) **Foreign Application Priority Data**

Aug. 4, 2014 (EM) 002514612

(51) **LOC (10) Cl.** **07-02**

(52) **U.S. Cl.**
USPC **D7/412**

(58) **Field of Classification Search**
USPC D7/672-676, 693, 359, 412, 376-386,
D7/677-679, 372-375, 694-698; 83/932;
99/353

CPC B26D 3/24-3/283; B26D
2003/285-2003/288; B26D 2210/02;
B26D 7/00; B26D 7/01; B26D 3/11;
A47J 43/25; A47J 43/255; A47J 17/02;
A47J 43/0705; A47J 43/0711; B01F
7/00325

See application file for complete search history.

(56) **References Cited**

U.S. PATENT DOCUMENTS

1,618,685	A *	2/1927	Stauffer	A21C 11/106
					D7/672
D119,843	S *	4/1940	Anstice	D7/412

* cited by examiner

Primary Examiner — Susan Bennett Hattan

Assistant Examiner — Brett Miller

(74) *Attorney, Agent, or Firm* — Brinks Gilson & Lione;
G. Peter Nichols

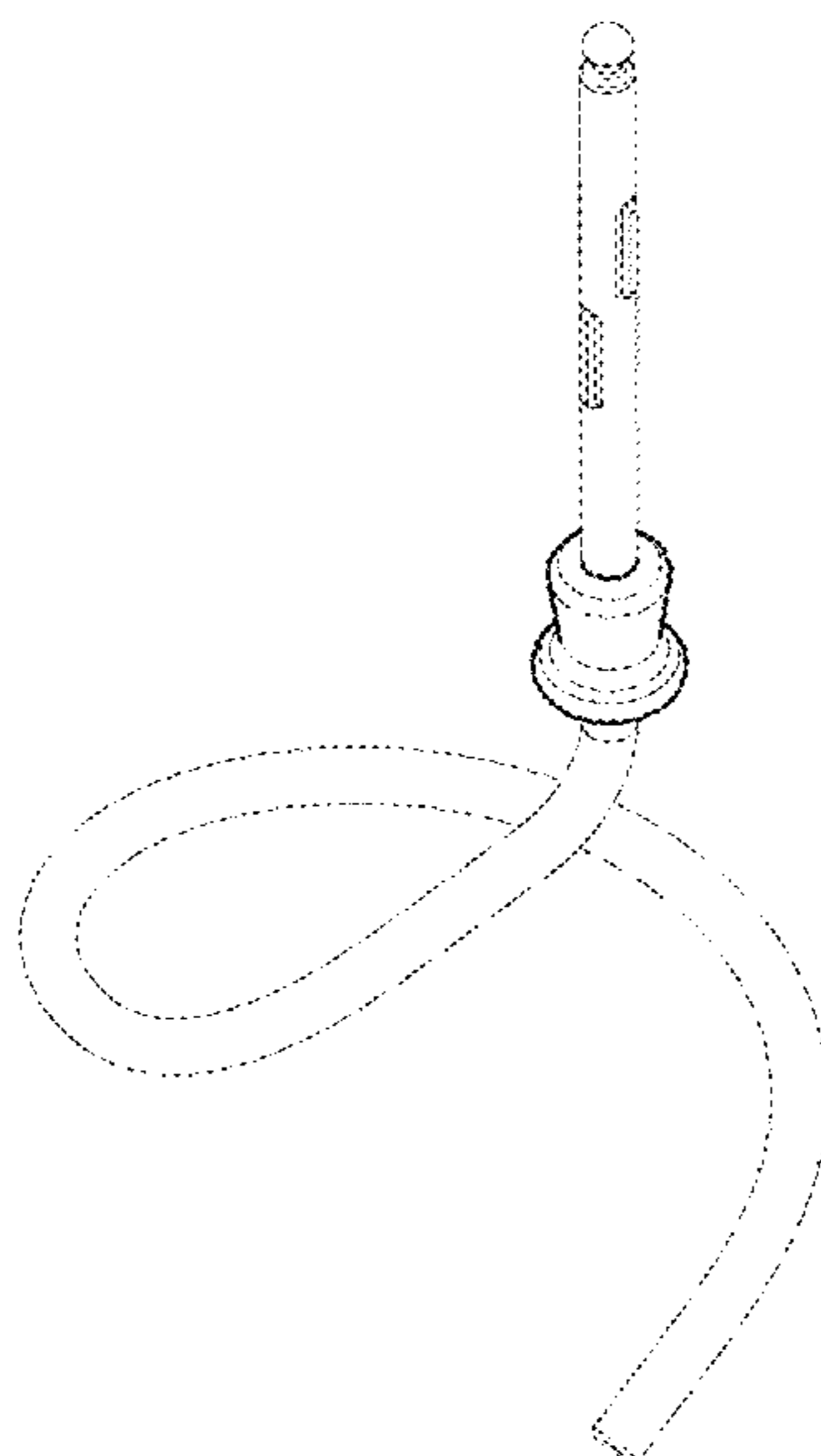
(57) **CLAIM**

The ornamental design for an attachment for mixer, as shown and described.

DESCRIPTION

FIG. 1 is a perspective view of an attachment for a mixer according to the present invention;
 FIG. 2 is a top view thereof;
 FIG. 3 is a bottom view thereof;
 FIG. 4 is a first side view thereof;
 FIG. 5 is a second side view thereof, opposite the first side view;
 FIG. 6 is a third side view thereof; and,
 FIG. 7 is a fourth side view thereof, opposite the third side view.

1 Claim, 7 Drawing Sheets



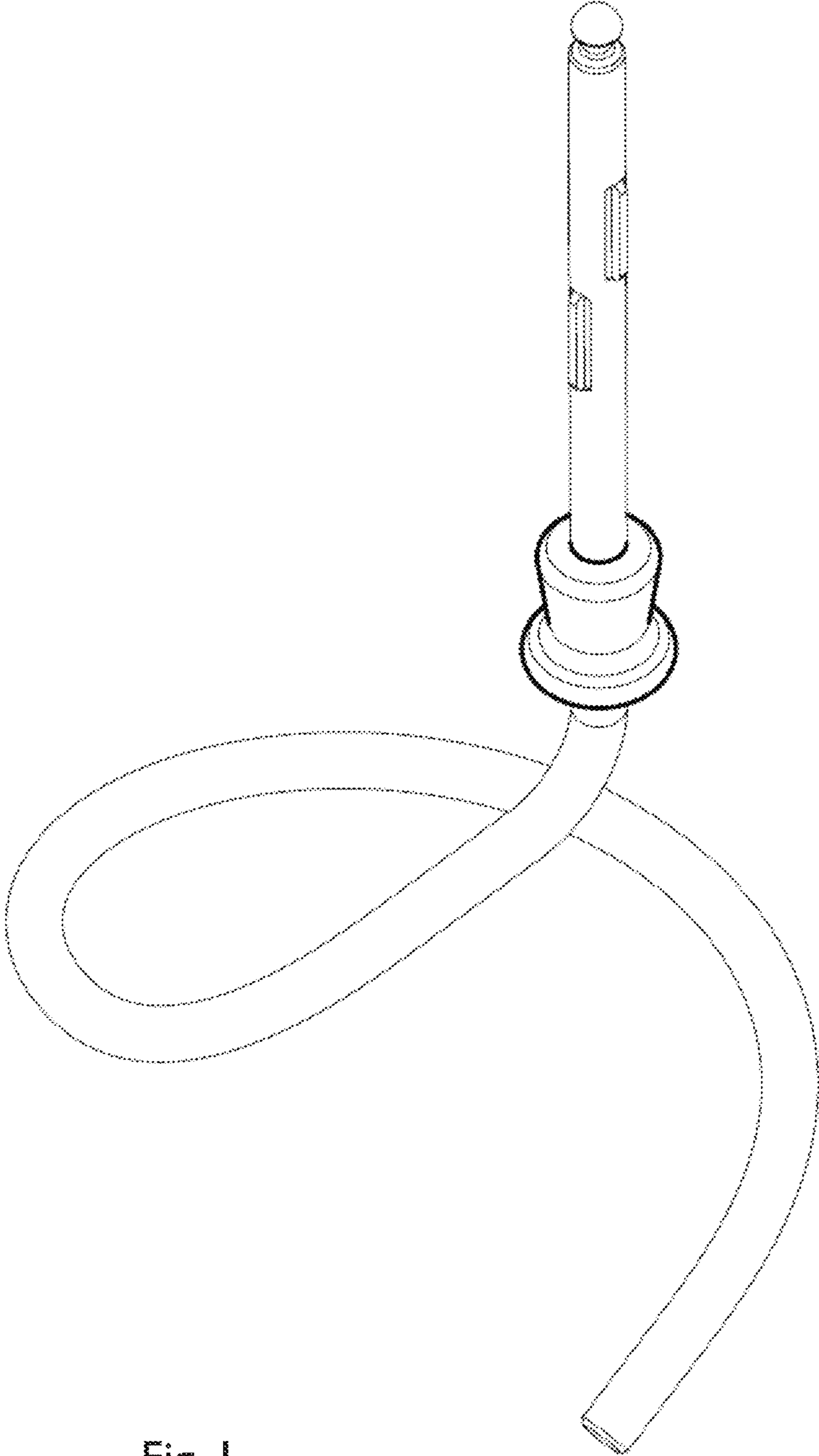


Fig. 1

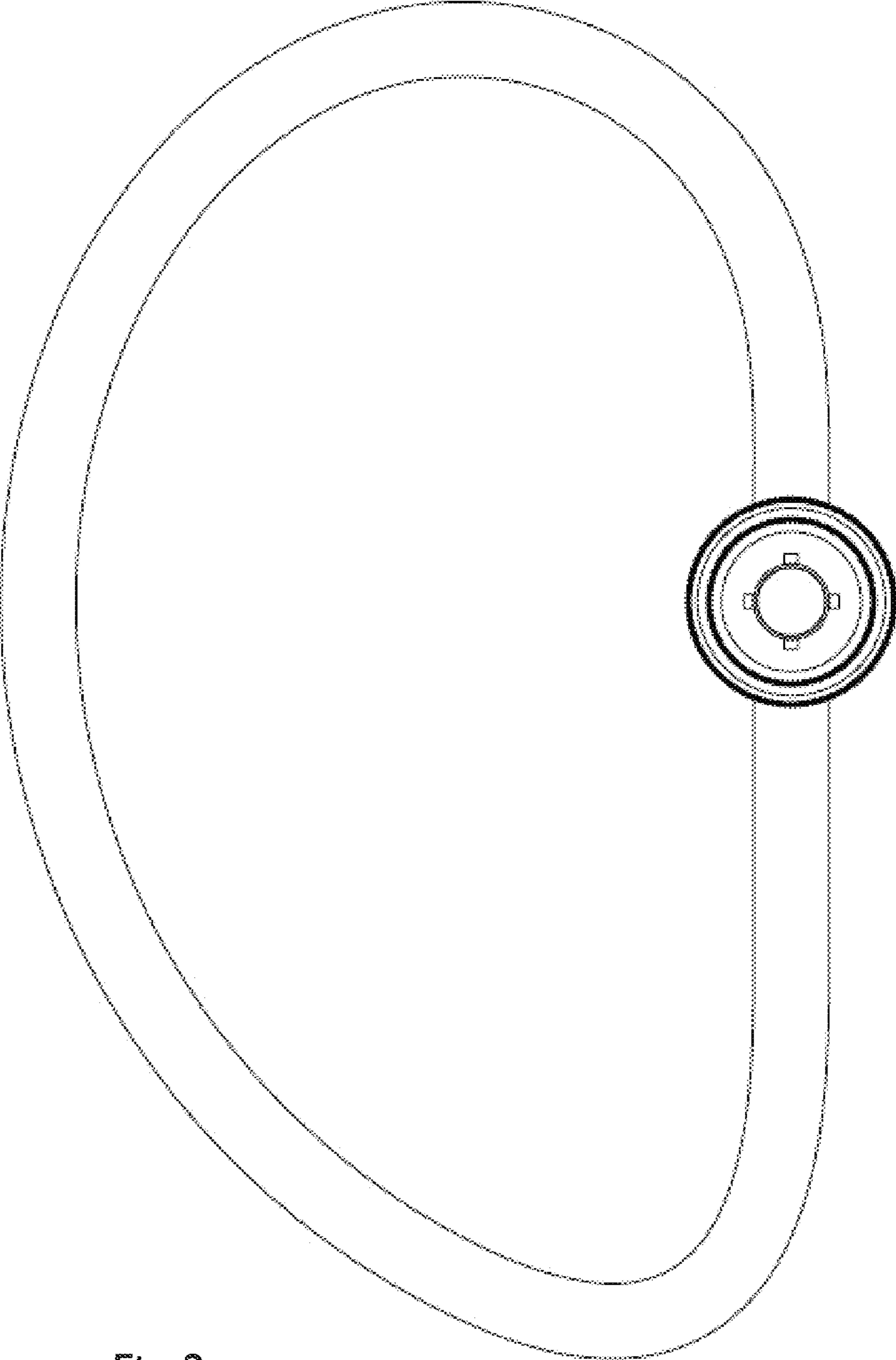


Fig. 2

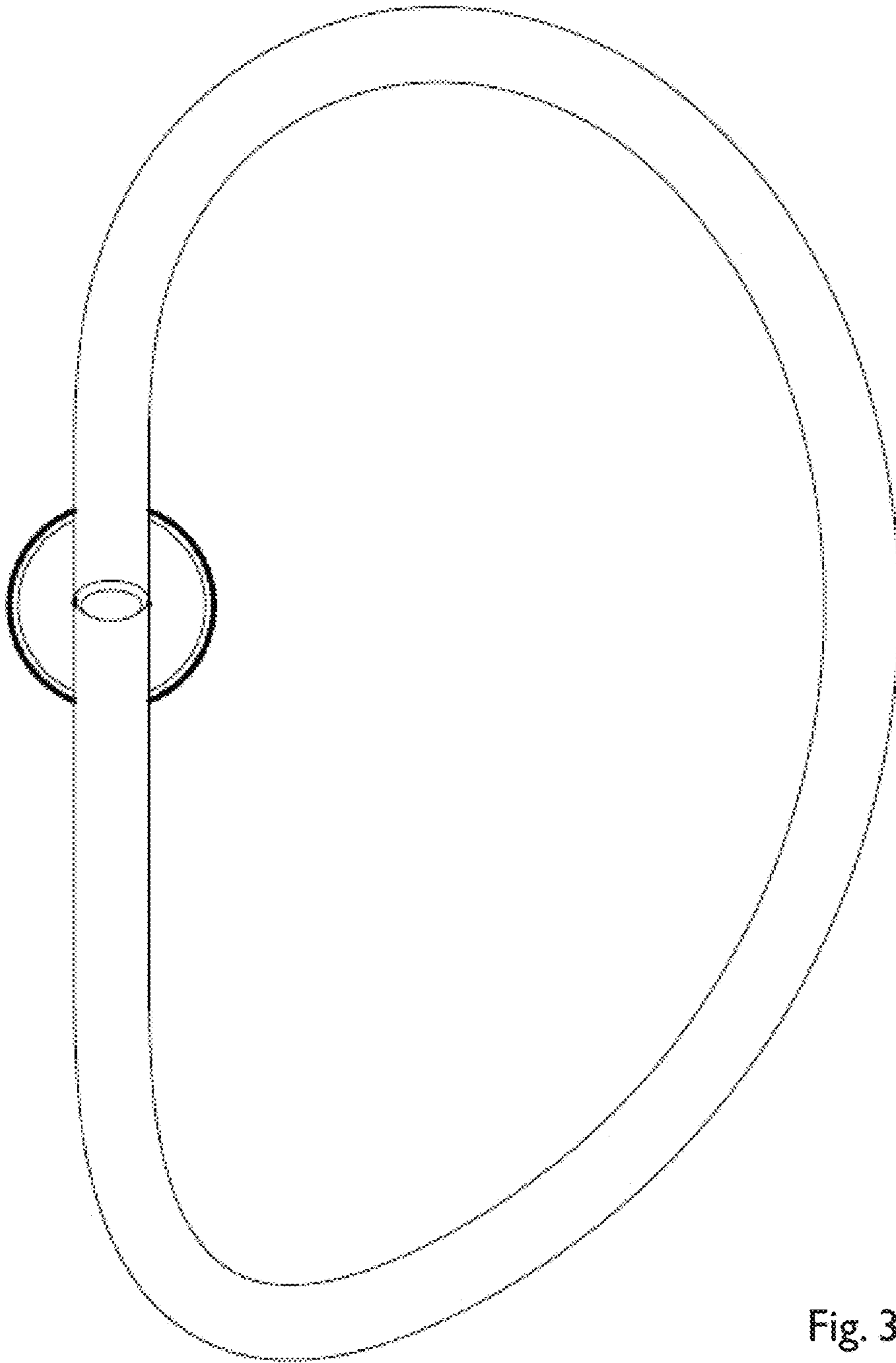


Fig. 3

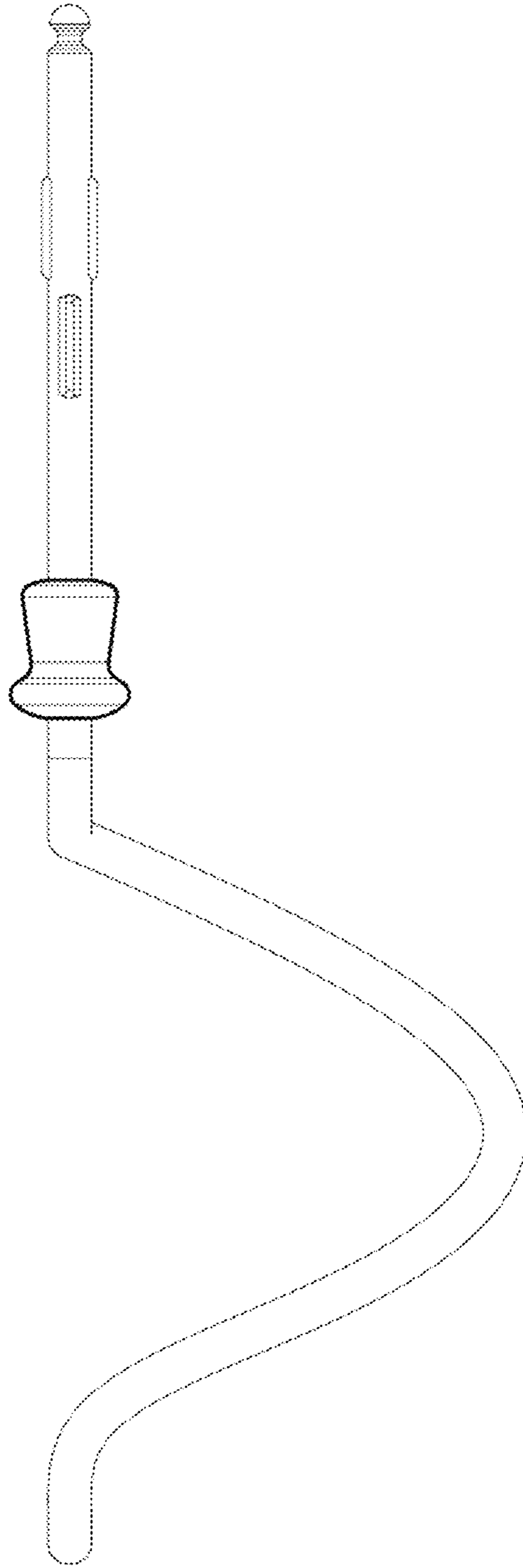


Fig. 4

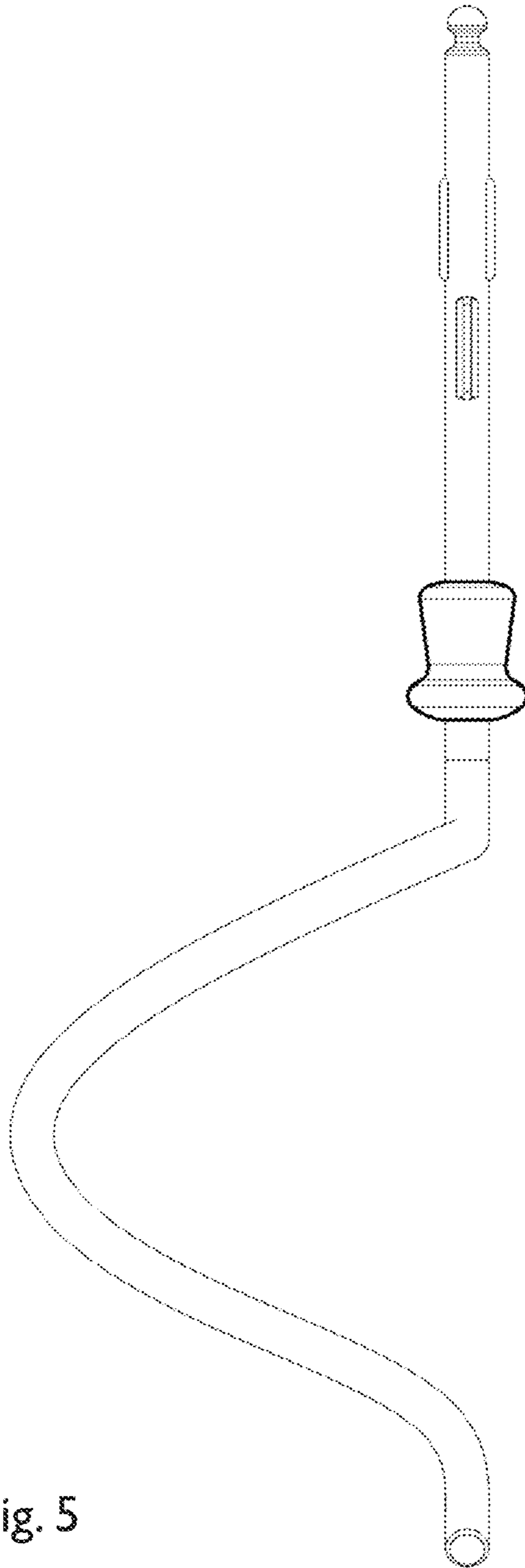


Fig. 5

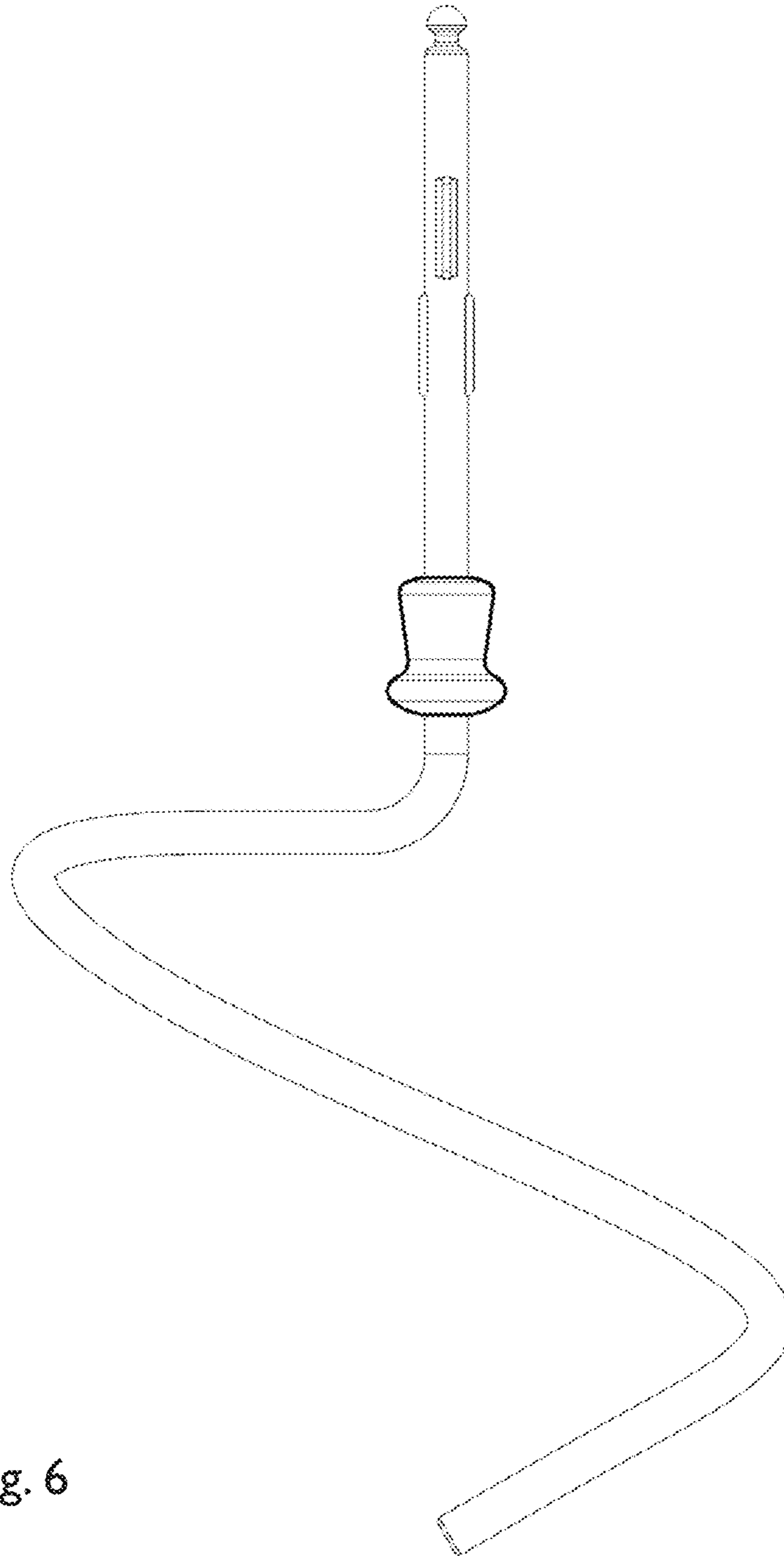


Fig. 6

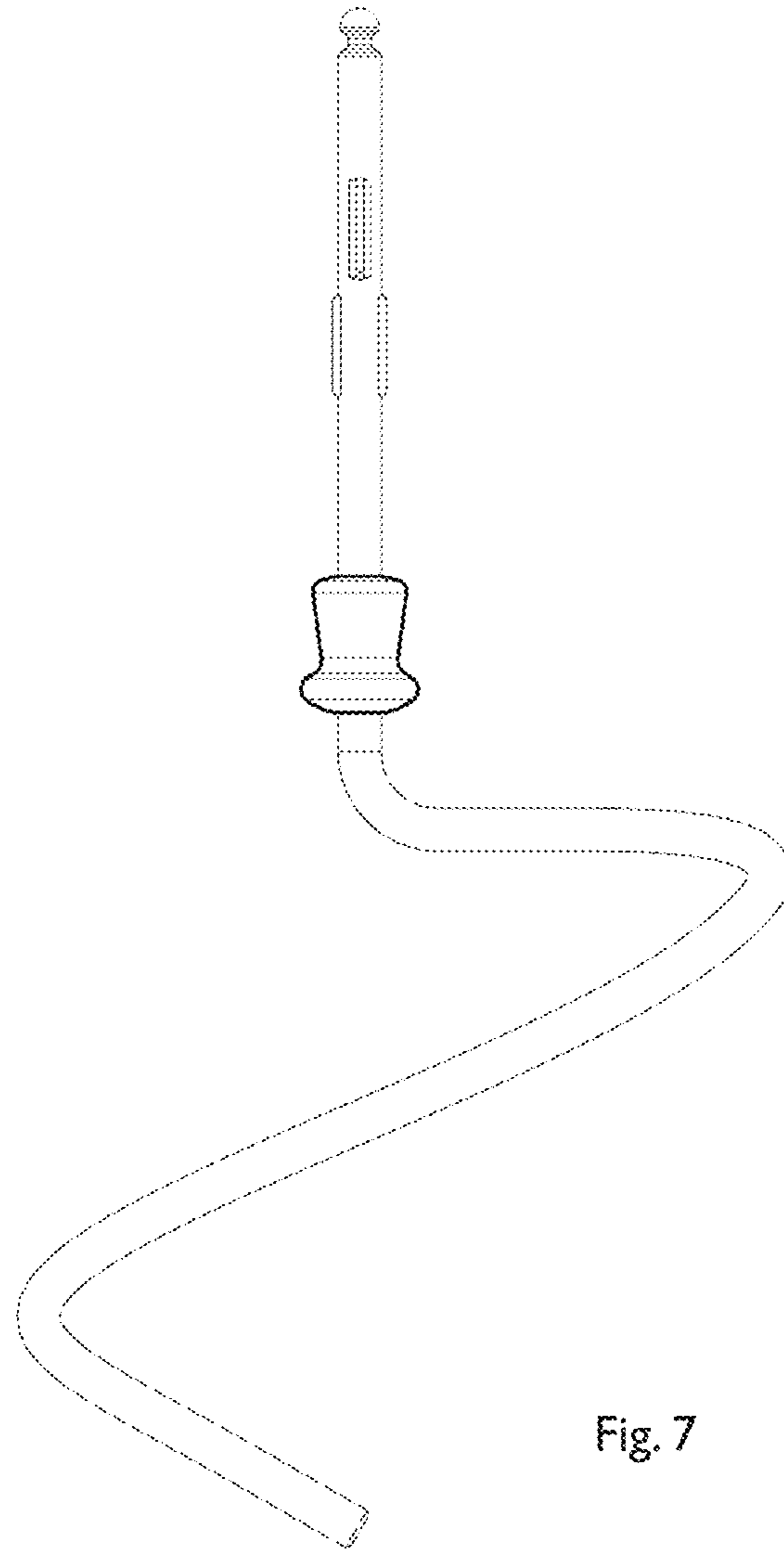


Fig. 7