



US00D795632S

(12) **United States Design Patent** (10) **Patent No.:** **US D795,632 S**
Klingbeil (45) **Date of Patent:** **** Aug. 29, 2017**

(54) **GRILL** 8,739,380 B1 6/2014 Montgomery
8,776,778 B1 * 7/2014 Brown B60R 11/00
126/276
(71) Applicant: **ERGOBIONIK GMBH**, Bottrop (DE) D718,082 S * 11/2014 Chung D7/335
8,985,418 B1 * 3/2015 Poudrier B60D 1/58
224/521
(72) Inventor: **Thomas Klingbeil**, Bottrop (DE) D730,104 S * 5/2015 Stredney D7/337
D744,382 S * 12/2015 Woller D12/162
(73) Assignee: **ERGOBIONIK GmbH** (DE) D755,557 S * 5/2016 Stout D7/332
D764,354 S * 8/2016 Riquer-Gonzalez-Cosio
..... D12/106
(**) Term: **15 Years** D772,116 S * 11/2016 Wu D12/162
D774,424 S * 12/2016 Angel B60D 1/46
D12/162
(21) Appl. No.: **29/568,919**
(22) Filed: **Jun. 22, 2016** 2004/0123857 A1 7/2004 Vivaldo
(Continued)

(30) **Foreign Application Priority Data**
Dec. 22, 2015 (EM) 002919340-0002
Dec. 22, 2015 (EM) 002919340-0003
(51) **LOC (10) Cl.** **07-02**
(52) **U.S. Cl.**
USPC **D7/332**
(58) **Field of Classification Search**
USPC D7/213, 323, 324, 325, 326, 327, 328,
D7/329, 330, 331, 332, 333, 334, 335,
D7/336, 337, 402, 404, 405, 406, 407
CPC A47J 33/00; A47J 37/04; A47J 37/041;
A47J 37/07-37/0713; A47J
37/0718-37/0727; A47J
37/0745-37/0772; A47J 2037/0777; A47J
37/0781
See application file for complete search history.

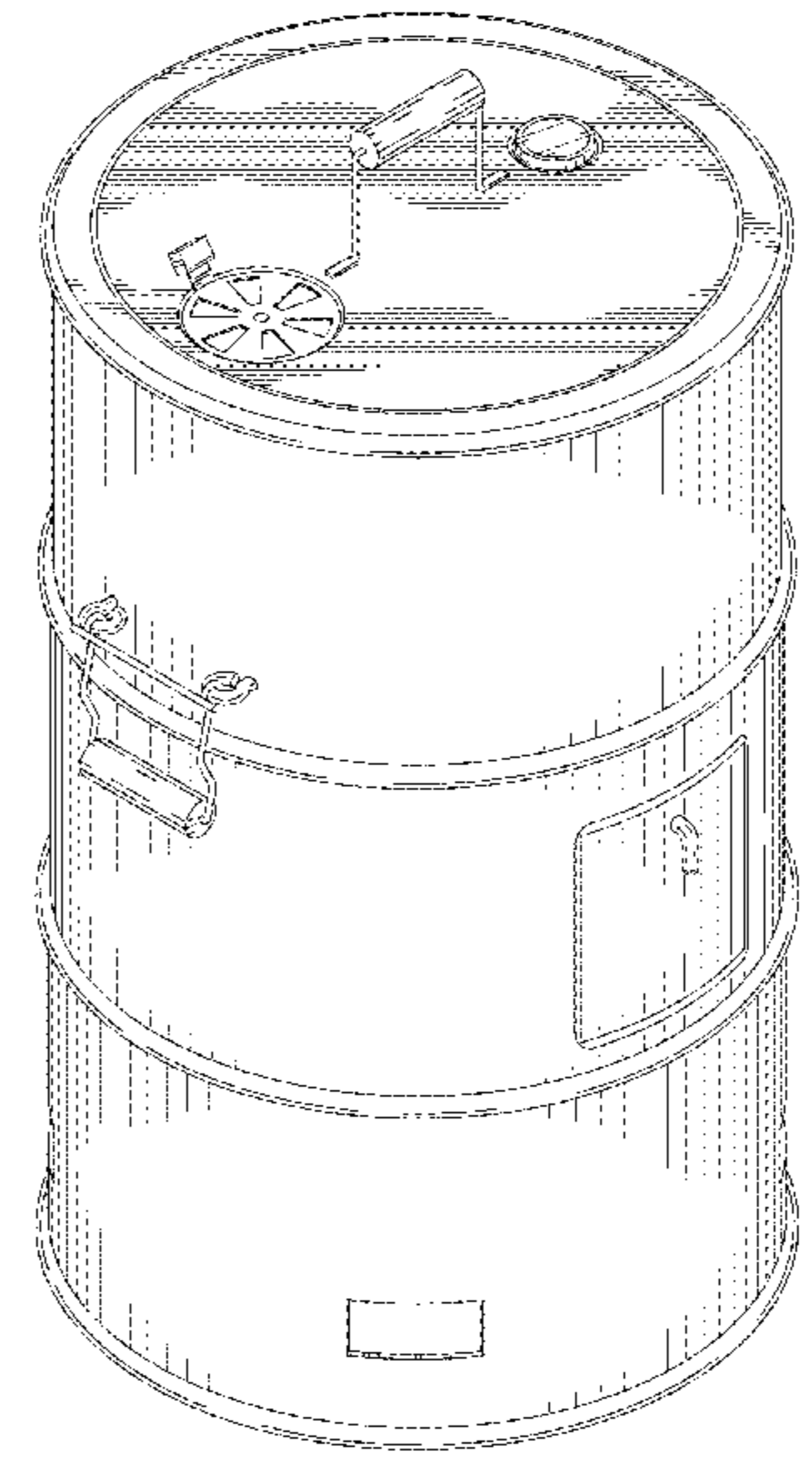
(56) **References Cited**
U.S. PATENT DOCUMENTS
2,820,446 A 1/1958 Freeman
4,300,444 A 11/1981 Muse
D566,631 S * 4/2008 Shahan D12/162
8,065,996 B1 * 11/2011 Neuvelt A47J 37/0704
126/24
D664,077 S * 7/2012 Dorsey D12/162

FOREIGN PATENT DOCUMENTS
DE 1917930 U 6/1965
DE 2746773 A1 4/1979
(Continued)
Primary Examiner — Manpreet Matharu
Assistant Examiner — Suzanne Tisdell
(74) *Attorney, Agent, or Firm* — Berenato & White, LLC

(57) **CLAIM**
The ornamental design for a grill, as shown and described.

DESCRIPTION
FIG. 1 is a front perspective view of my design;
FIG. 2 is a front elevational view;
FIG. 3 is a rear elevational view;
FIG. 4 is a right side elevational view
FIG. 5 is a left elevational view
FIG. 6 is a top plan view;
FIG. 7 is a bottom plan view;
FIG. 8 is a front perspective view similar to FIG. 1 with the grill shown in an alternative configuration; and,
FIG. 9 is a top plan view of FIG. 8.

1 Claim, 9 Drawing Sheets



(56)

References Cited

U.S. PATENT DOCUMENTS

2008/0314946 A1* 12/2008 Owenby A47J 37/0781
224/487
2010/0024661 A1* 2/2010 Wu A47J 37/041
99/339
2010/0116262 A1* 5/2010 Voges A47J 37/04
126/25 R

FOREIGN PATENT DOCUMENTS

DE 8232299 U1 5/1983
EP 2683280 B1 1/2014

* cited by examiner

FIG. 1

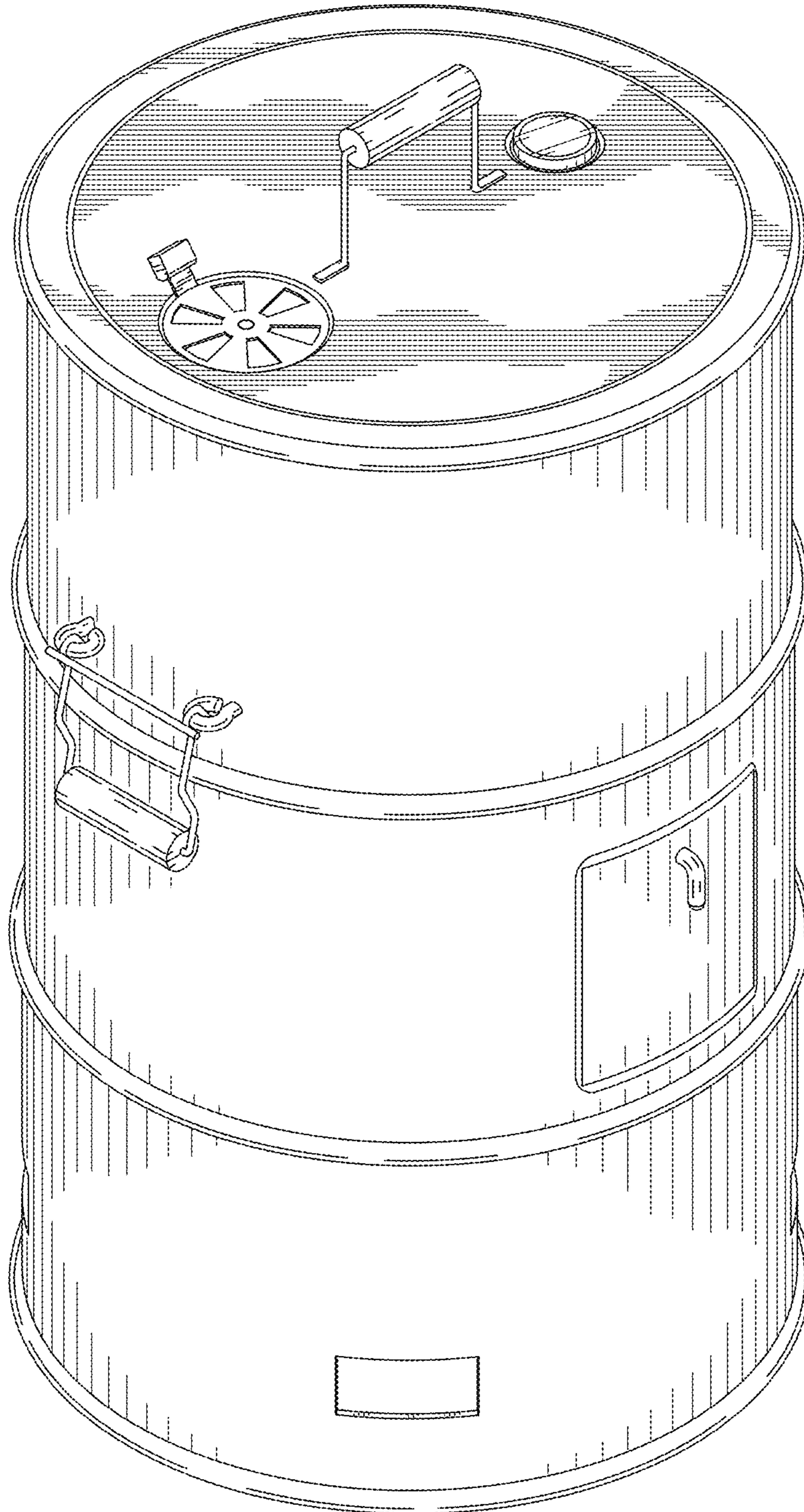


FIG. 2

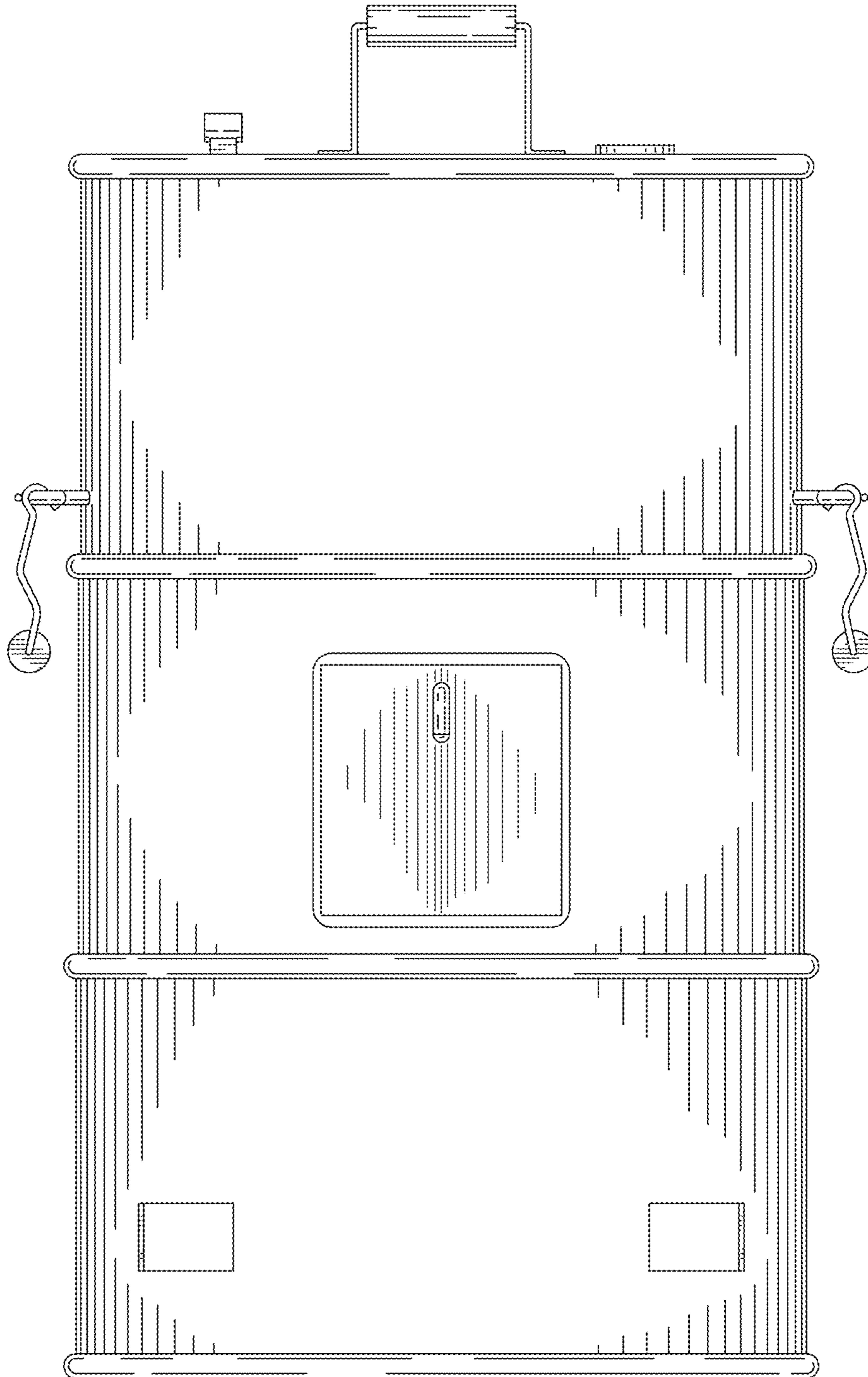


FIG. 3

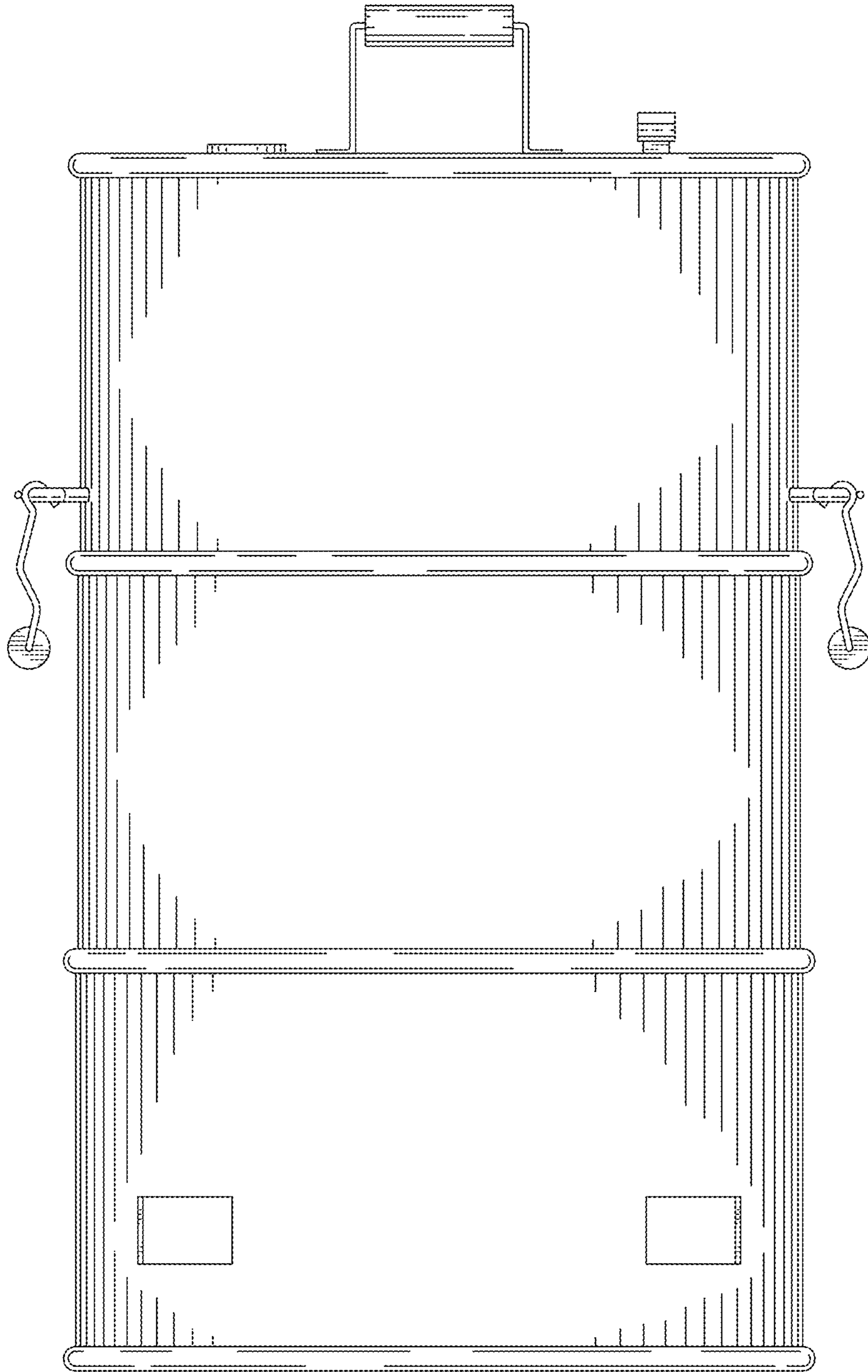


FIG. 4

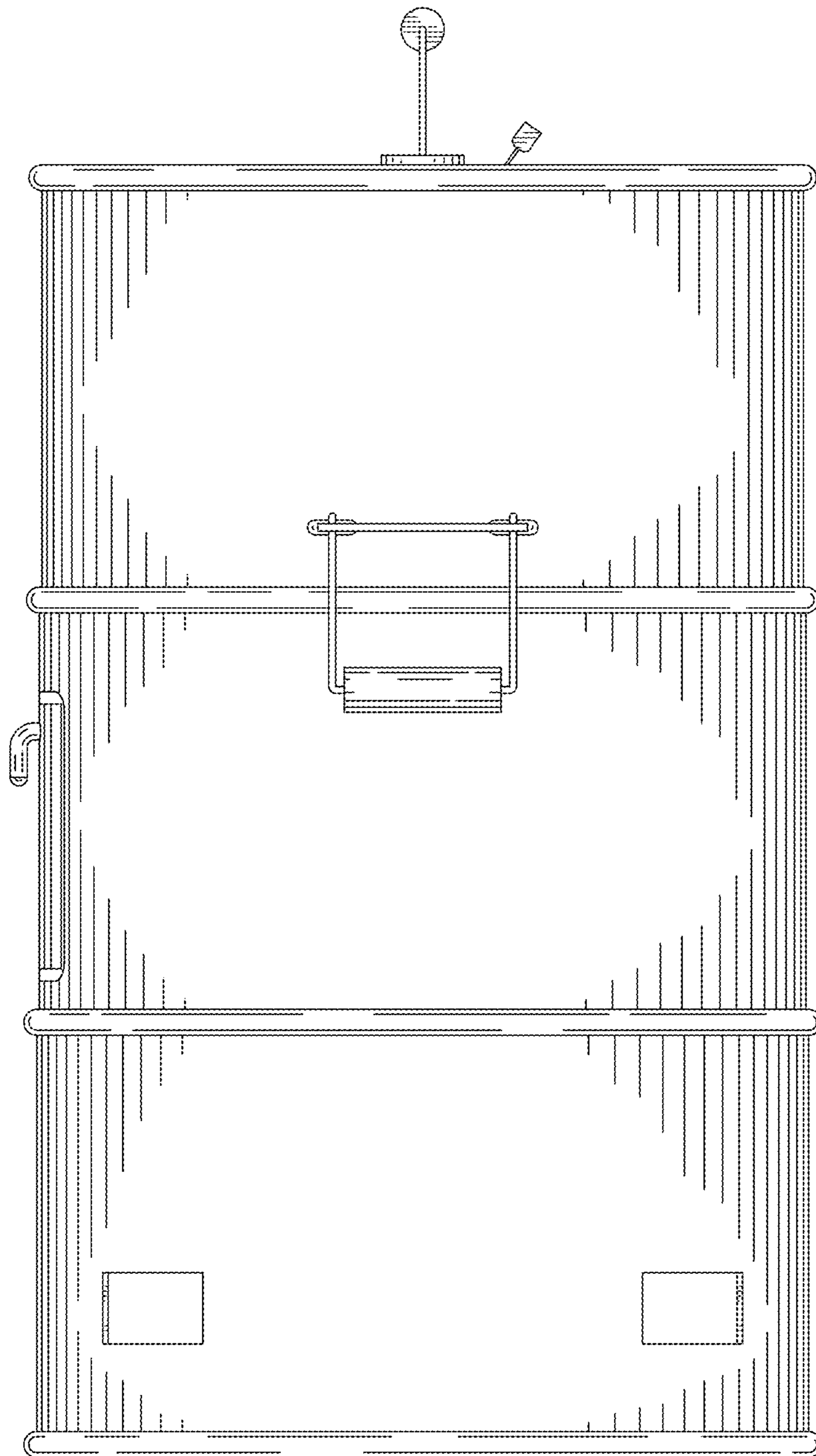


FIG. 5

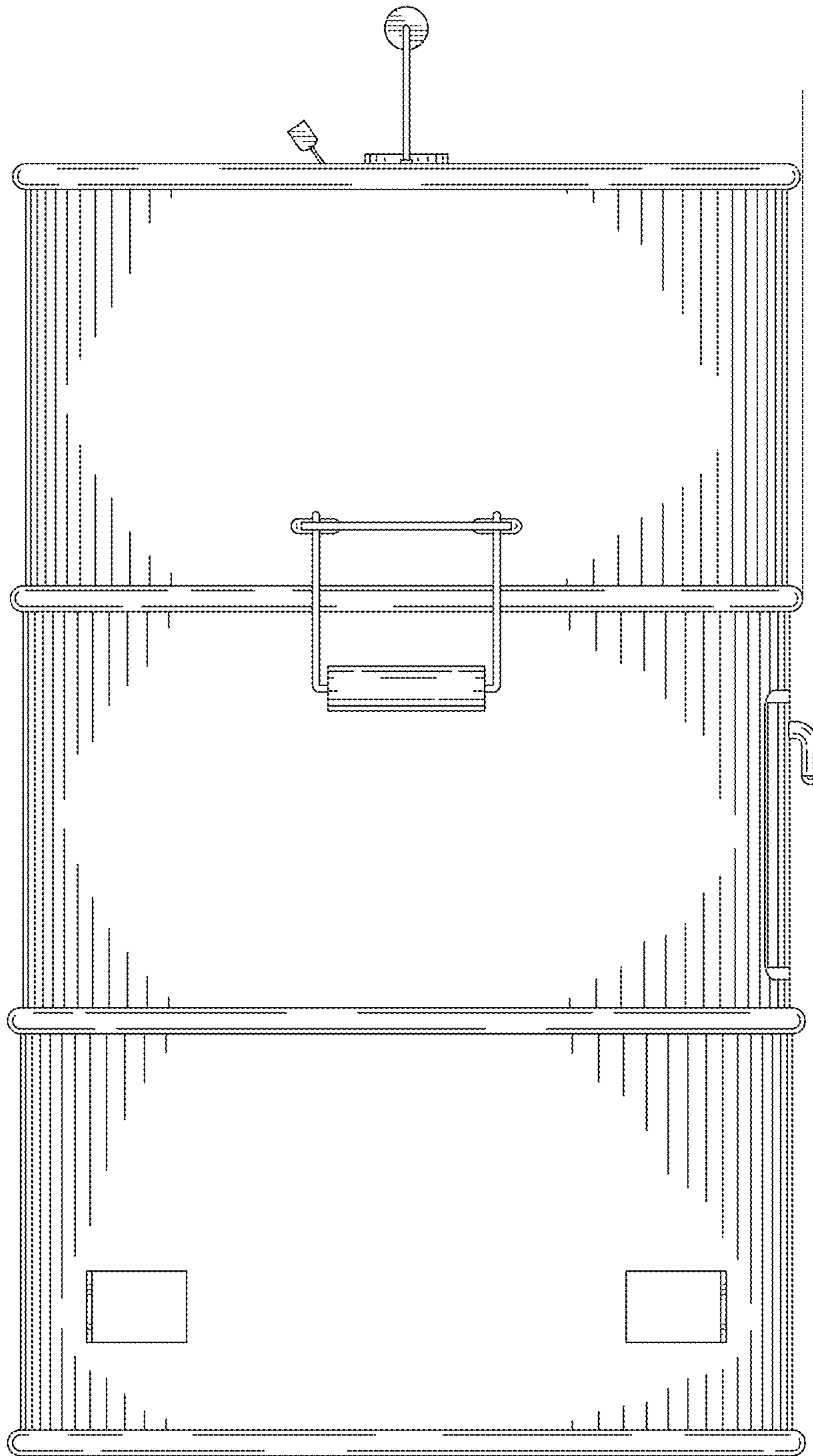


FIG. 6

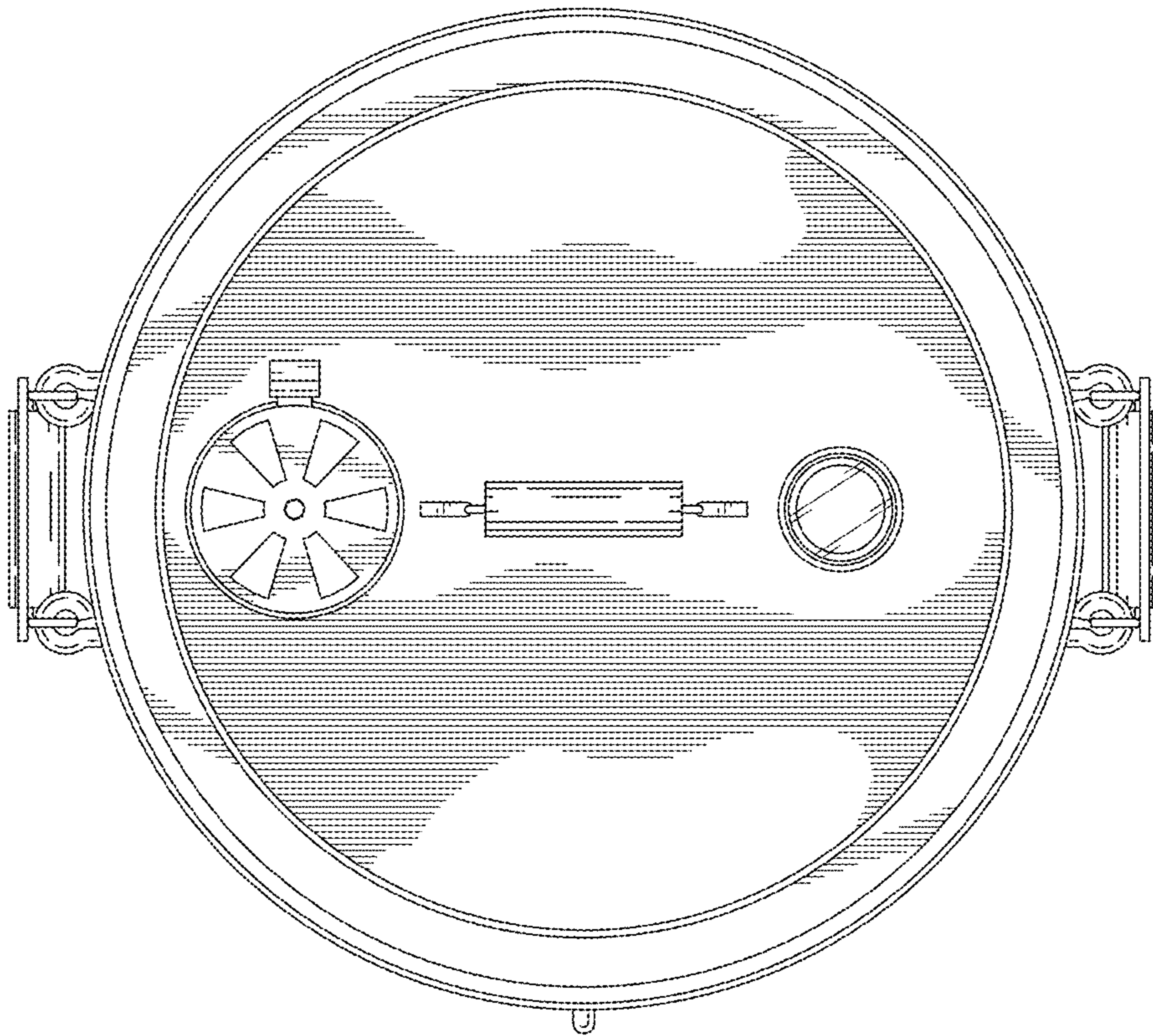


FIG. 7

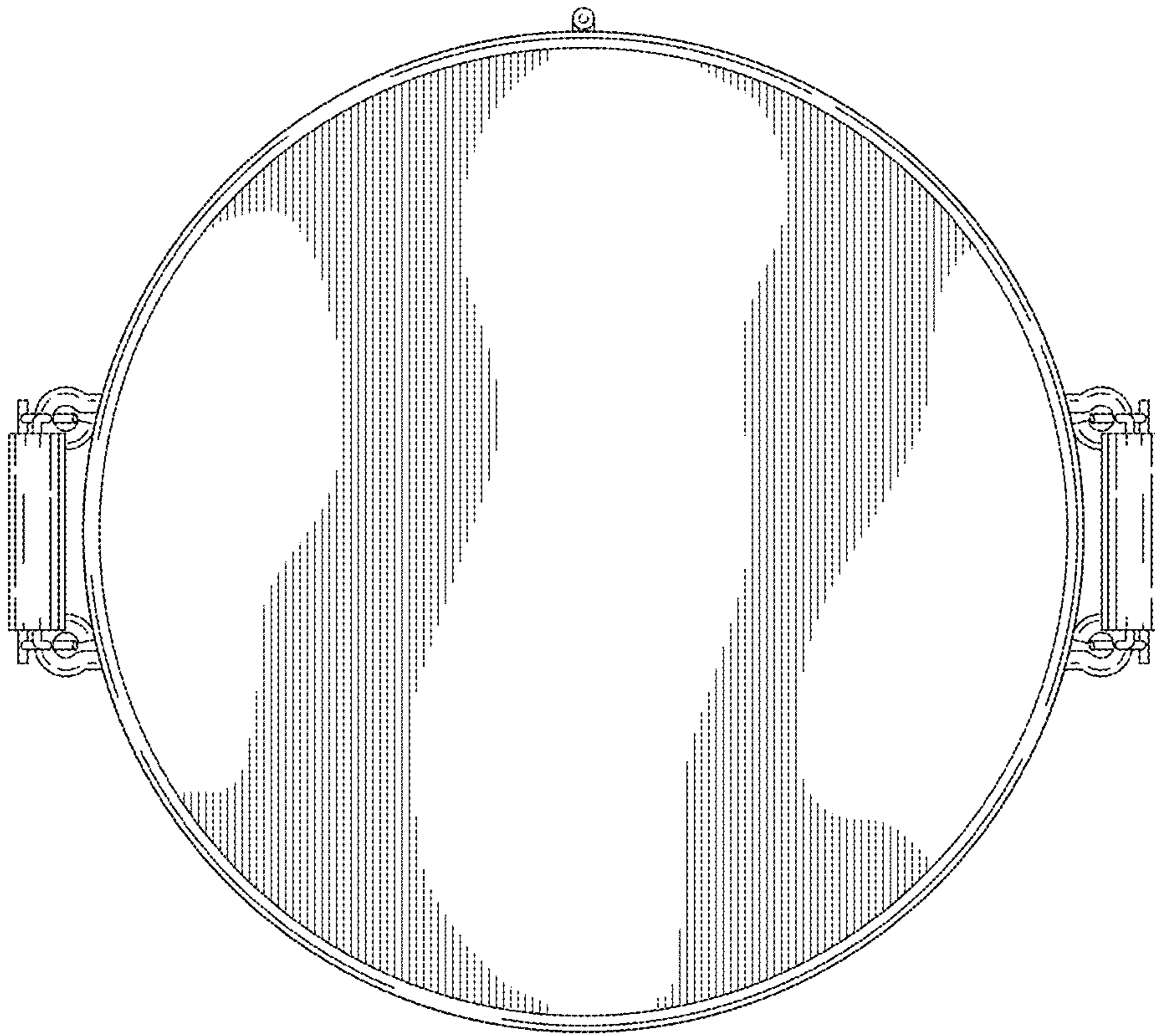


FIG. 8

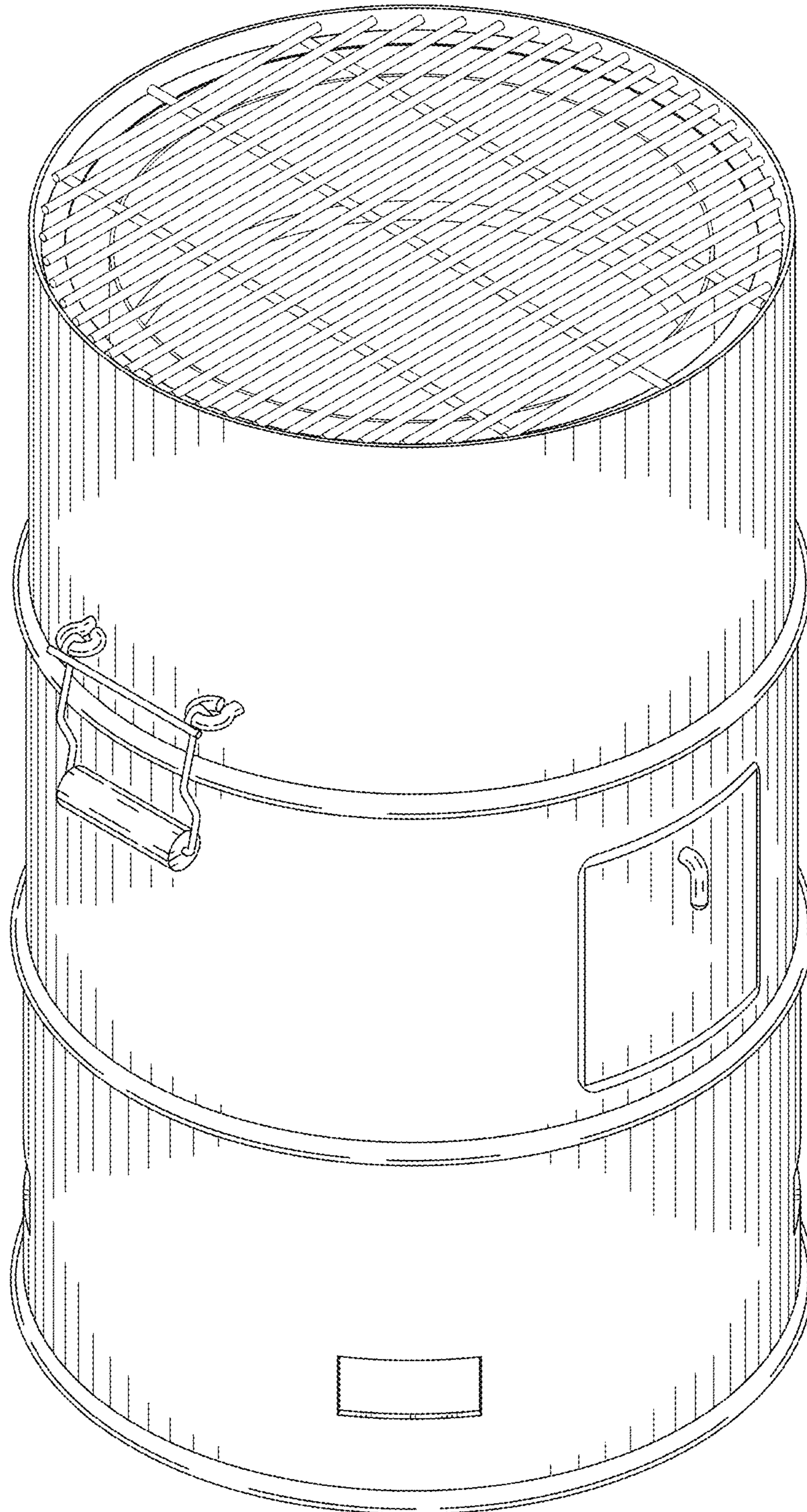


FIG. 9

