



US00D795631S

(12) **United States Design Patent** (10) **Patent No.:** **US D795,631 S**
Armstrong et al. (45) **Date of Patent:** **** Aug. 29, 2017**

(54) **APPARATUS FOR PREPARING INGREDIENTS FOR A BABY BOTTLE**

43/25; A47J 43/27; A47J 43/042; A47J 43/044;

(Continued)

(71) Applicant: **THE BABY BARISTA COMPANY,**
Calabasas, CA (US)

(56)

References Cited

U.S. PATENT DOCUMENTS

(72) Inventors: **Cara Armstrong,** Simi Valley, CA (US); **Robin Richards,** Calabasas, CA (US); **Richard Nanula,** Malibu, CA (US); **Ravi Sawhney,** Malibu, CA (US); **Lance Hussey,** Thousand Oaks, CA (US); **John Elam,** Los Angeles, CA (US); **Dean Loock,** Encino, CA (US)

3,162,153 A 12/1964 Shulz, Jr.
D207,526 S * 4/1967 Martin et al. D7/311
(Continued)

FOREIGN PATENT DOCUMENTS

KR 10-0336019 5/2002
WO WO2013176921 11/2013
WO WO2014003905 1/2014

(73) Assignee: **The Baby Barista Company,**
Calabasas, CA (US)

OTHER PUBLICATIONS

International Search Report for PCT/US2016/030318.
Written Opinion of the International Search Authority for PCT/US2016/030318.

(**) Term: **15 Years**

Primary Examiner — Ricky Pham

(21) Appl. No.: **29/567,810**

(74) *Attorney, Agent, or Firm* — Risso I.P.

(22) Filed: **Jun. 13, 2016**

(57)

CLAIM

The ornamental design for an apparatus for preparing ingredients for a baby bottle, as shown and described.

Related U.S. Application Data

(63) Continuation of application No. 15/143,523, filed on Apr. 30, 2016.

(51) **LOC (10) Cl.** **07-02**

(52) **U.S. Cl.**
USPC **D7/326**

(58) **Field of Classification Search**
USPC D7/306, 309, 311, 372-373, 376-386, D7/412-413, 602, 629, 665-666, 669, D7/679, 693-694, 323, 326-327, 368, D7/601, 605

CPC A21C 1/02; A21C 1/04; A23N 1/00; A23N 1/02; A47J 42/40; A47J 43/04; A47J

DESCRIPTION

FIG. 1 is a left perspective view of an apparatus for preparing ingredients for a baby bottle showing our new design;
FIG. 2 is a right perspective view of the apparatus for preparing ingredients for a baby bottle;
FIG. 3 is a left-view of the apparatus for preparing ingredients for a baby bottle;
FIG. 4 is a right-view of the apparatus for preparing ingredients for a baby bottle;
FIG. 5 is a front-view of the apparatus for preparing ingredients for a baby bottle;

(Continued)

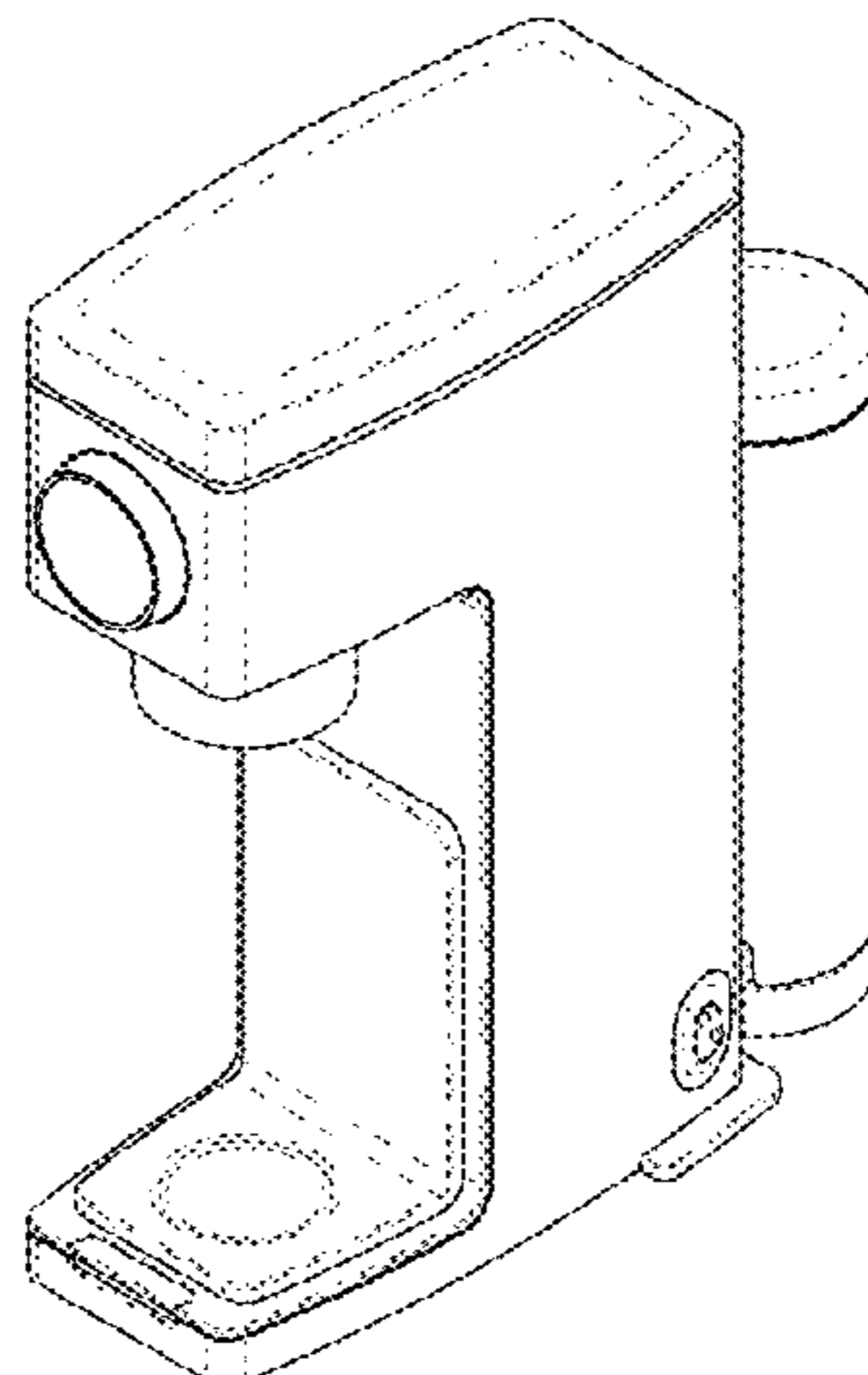


FIG. 6 is a rear-view of the apparatus for preparing ingredients for a baby bottle;
 FIG. 7 is a top-view of the apparatus for preparing ingredients for a baby bottle; and,
 FIG. 8 is a bottom-view of the apparatus for preparing ingredients for a baby bottle.

1 Claim, 8 Drawing Sheets

(58) **Field of Classification Search**

CPC A47J 43/046; A47J 43/075; A47J 43/0722;
 A47J 43/0727; A47J 27/04; A47J 27/004;
 A47J 36/24; A47J 36/2411; A47J
 36/2416; A47J 36/2433; A47J 36/2438;
 A47J 31/4403; A47J 39/00; A47J 39/006;
 A47J 41/00; B01F 3/00; B01F 3/0807;
 B01F 3/0853; B01F 13/0059; B01F
 13/0064; B02C 1/08; B02C 2/04; B02C
 4/42; B02C 4/142; B02C 4/143; B02C
 4/423; B02C 13/1835; B28C 5/10; B28C
 5/12; B28C 5/14; B28C 5/16; A01J 9/08;
 A23L 3/10; H05B 3/0004

See application file for complete search history.

(56) **References Cited**

U.S. PATENT DOCUMENTS

3,352,460	A	11/1967	Herring	
D218,191	S *	7/1970	Tevolitz	D7/309
4,708,266	A	11/1987	Rudick	
4,753,370	A	6/1988	Rudick	
4,779,761	A	10/1988	Rudick et al.	
4,826,046	A	5/1989	Rudick	
D309,843	S *	8/1990	Reichmann	D7/309
4,966,306	A	10/1990	Credle, Jr. et al.	
5,000,351	A	3/1991	Rudick	
5,154,586	A	10/1992	Rudick	
5,181,631	A	1/1993	Credle, Jr.	
5,310,094	A	5/1994	Martinez et al.	
5,383,581	A	1/1995	LeMarbe et al.	
5,542,342	A *	8/1996	McNeill	A47J 42/40 99/280
5,570,822	A	11/1996	LeMarbe et al.	
5,803,320	A	9/1998	Cutting et al.	
D454,023	S *	3/2002	Wang	D7/309
6,387,424	B2	5/2002	Funk	
6,417,498	B1	7/2002	Shields	
7,036,687	B1	5/2006	Lowe	
7,147,131	B2	12/2006	Sher et al.	
7,328,815	B2	2/2008	Lowe	
7,383,966	B2	6/2008	Ziesel	

7,487,887	B2	2/2009	Ziesel	
D596,441	S *	7/2009	Cahen	D7/309
7,578,419	B2	8/2009	Greenwald et al.	
D600,492	S *	9/2009	Hammad	D7/306
7,594,525	B2	9/2009	Girard et al.	
7,614,524	B2	11/2009	Girard et al.	
7,651,008	B2	1/2010	Sher et al.	
7,651,015	B2	1/2010	Girard et al.	
7,654,191	B2	2/2010	Greenwald et al.	
D610,857	S *	3/2010	Pateman	D7/306
7,757,600	B2	7/2010	Jones et al.	
7,828,020	B2	11/2010	Girard et al.	
7,896,202	B2	3/2011	Greenwald et al.	
7,918,156	B2	4/2011	Greenwald et al.	
8,007,847	B2	8/2011	Eytan et al.	
8,091,735	B2	1/2012	Girard et al.	
8,196,781	B2	6/2012	Greenwald et al.	
8,210,396	B2	7/2012	Girard et al.	
D666,451	S *	9/2012	Cheng	D7/309
8,336,569	B2	12/2012	Lohr et al.	
8,360,279	B1	1/2013	Giles	
D694,059	S *	11/2013	De Pra	D7/372
D703,476	S *	4/2014	Behar	D7/306
8,739,689	B2	6/2014	Bombeck et al.	
8,757,227	B2	6/2014	Girard et al.	
8,800,820	B2	8/2014	Girard et al.	
8,857,738	B2	10/2014	Knopow et al.	
8,887,958	B2	11/2014	Kadyk et al.	
8,960,500	B2	2/2015	van Opstal et al.	
D724,883	S *	3/2015	Lamb	D7/306
8,985,395	B2	3/2015	Tansey	
D726,482	S *	4/2015	Cahen	D7/309
D728,988	S *	5/2015	Warburton	D7/306
D734,635	S *	7/2015	Behar	D7/306
9,155,417	B2	10/2015	Girard et al.	
D758,120	S *	6/2016	Garman	D7/306
D760,529	S *	7/2016	Hakansson	D7/306
D774,820	S *	12/2016	Yang	D7/306
D775,887	S *	1/2017	Atkin	D7/306
2004/0129725	A1	7/2004	Bertone	
2005/0145646	A1	7/2005	Lautenschlaeger	
2005/0242120	A1	11/2005	Sato et al.	
2007/0029005	A1	2/2007	Huang	
2007/0205220	A1	9/2007	Rudick et al.	
2008/0160153	A1	7/2008	Allen et al.	
2009/0090431	A1	4/2009	Yacko et al.	
2009/0090742	A1	4/2009	Yacko et al.	
2009/0139978	A1	6/2009	Ha	
2010/0263543	A1 *	10/2010	Krauchi	A47J 31/4403 99/280
2010/0282781	A1	11/2010	Kinzie et al.	
2010/0320233	A1	12/2010	Krause	
2011/0032788	A1	2/2011	Hofte	
2012/0088022	A1	4/2012	Carbone et al.	
2012/0228328	A1	9/2012	Ryan et al.	
2012/0230148	A1	9/2012	van Opstal et al.	
2013/0032612	A1	2/2013	Armstrong et al.	

* cited by examiner

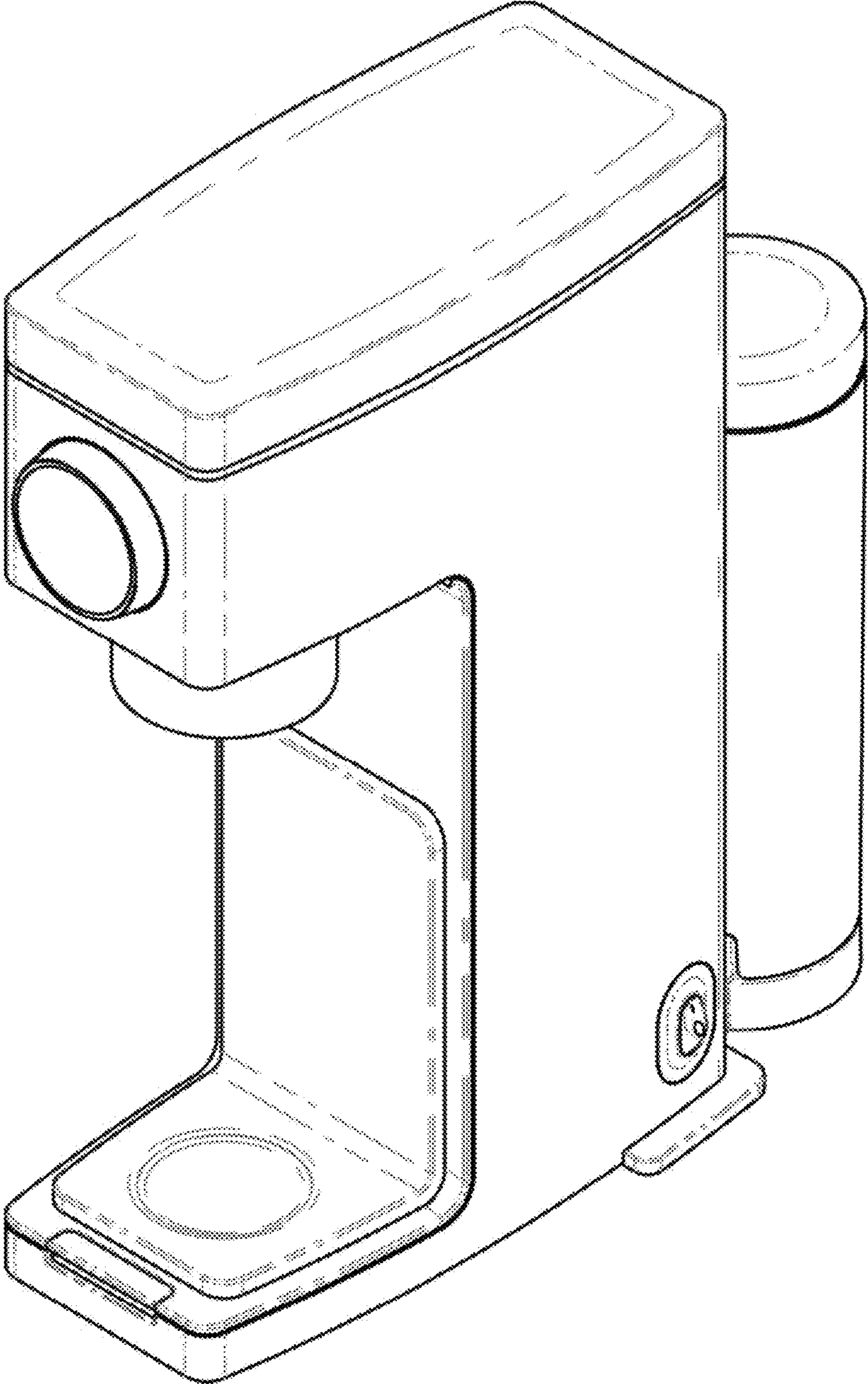


FIG. 1

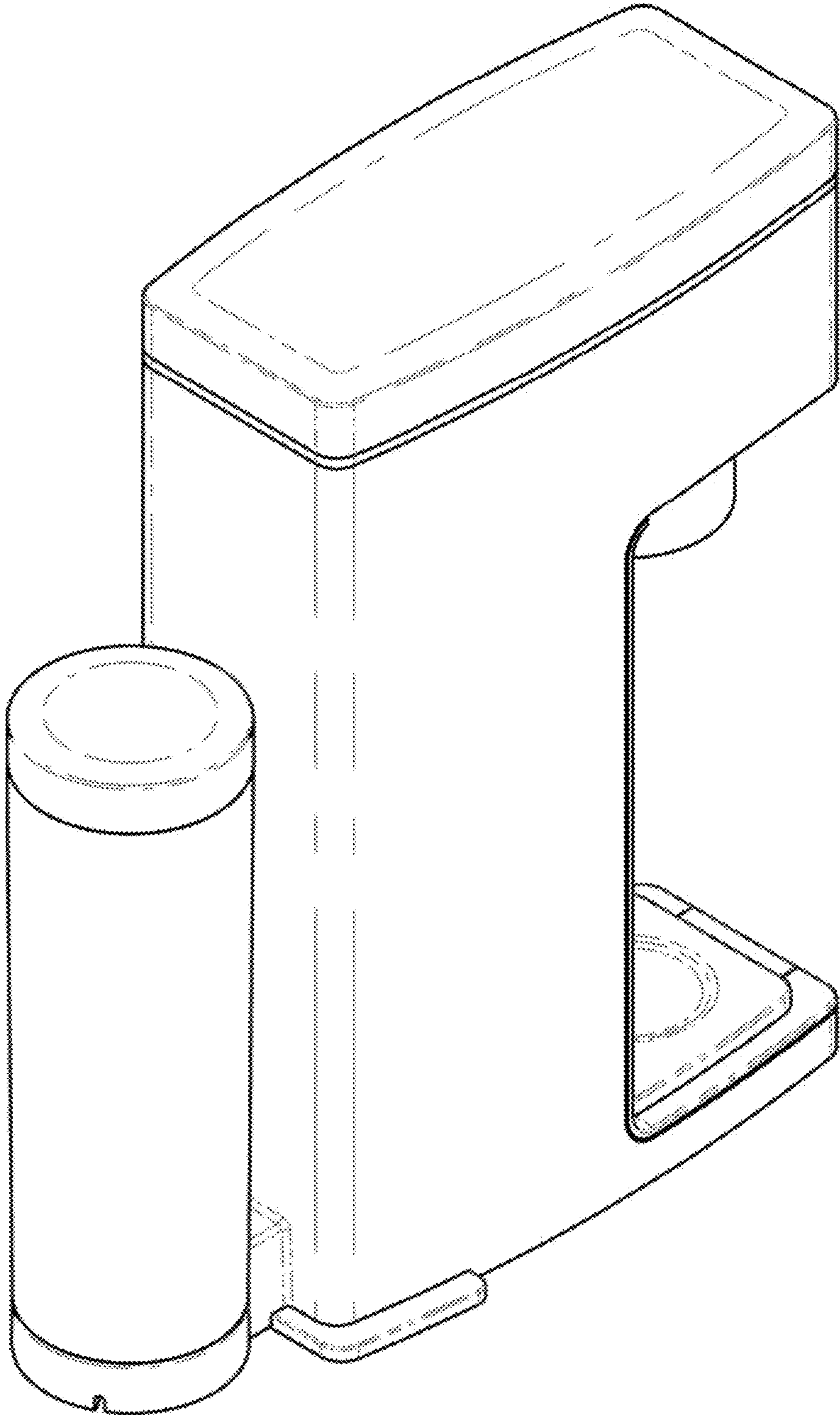


FIG. 2

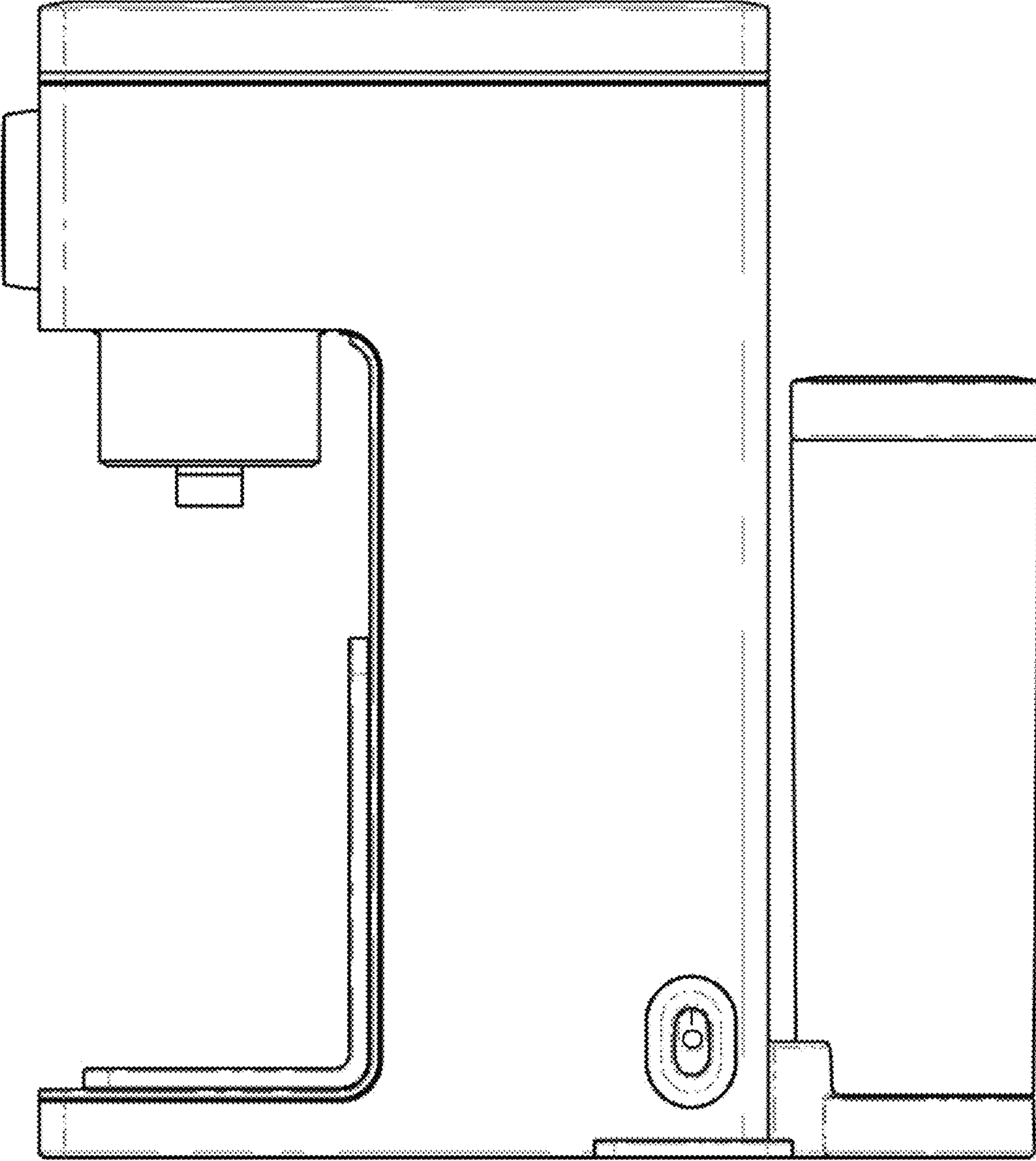


FIG. 3

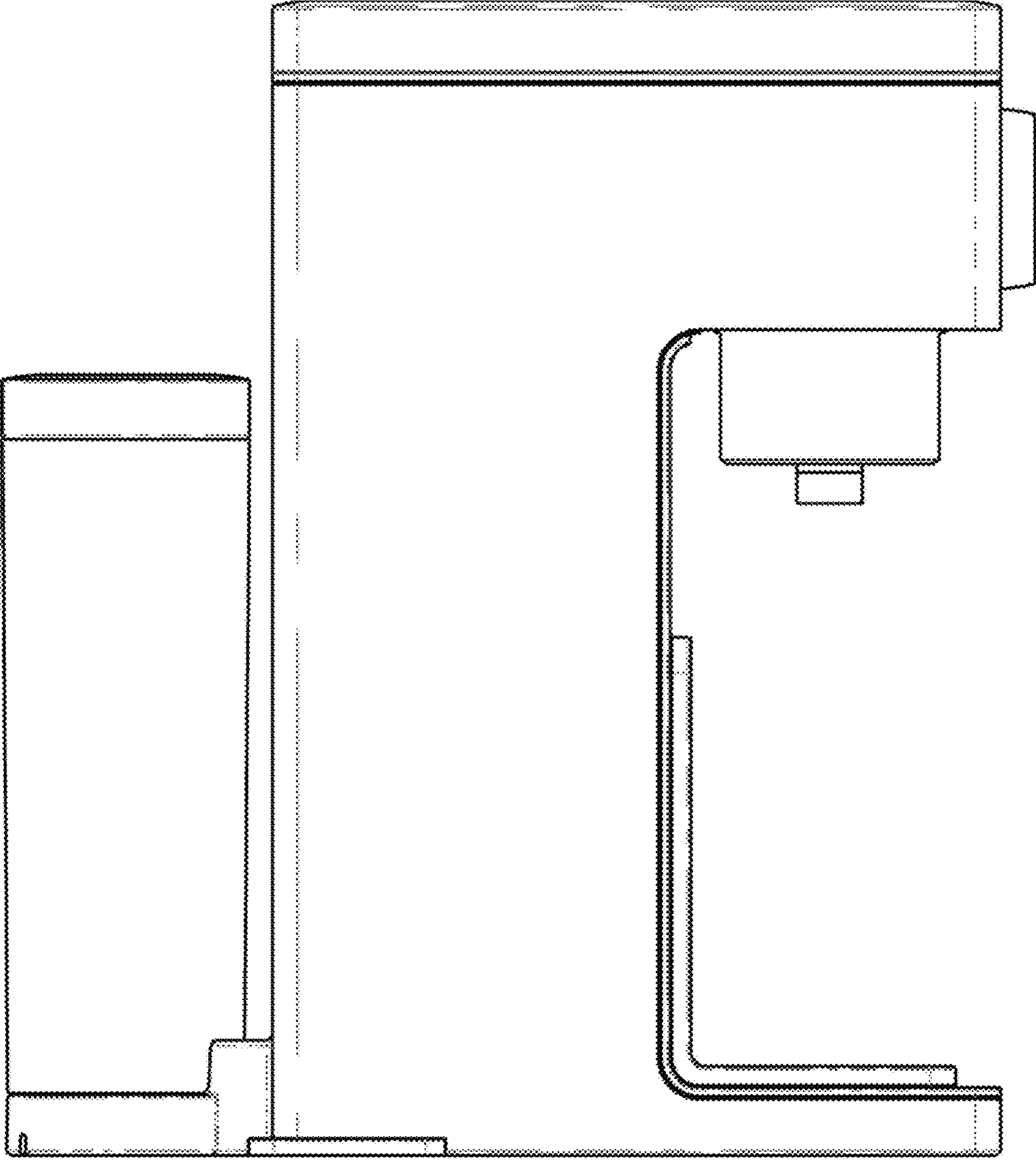


FIG. 4

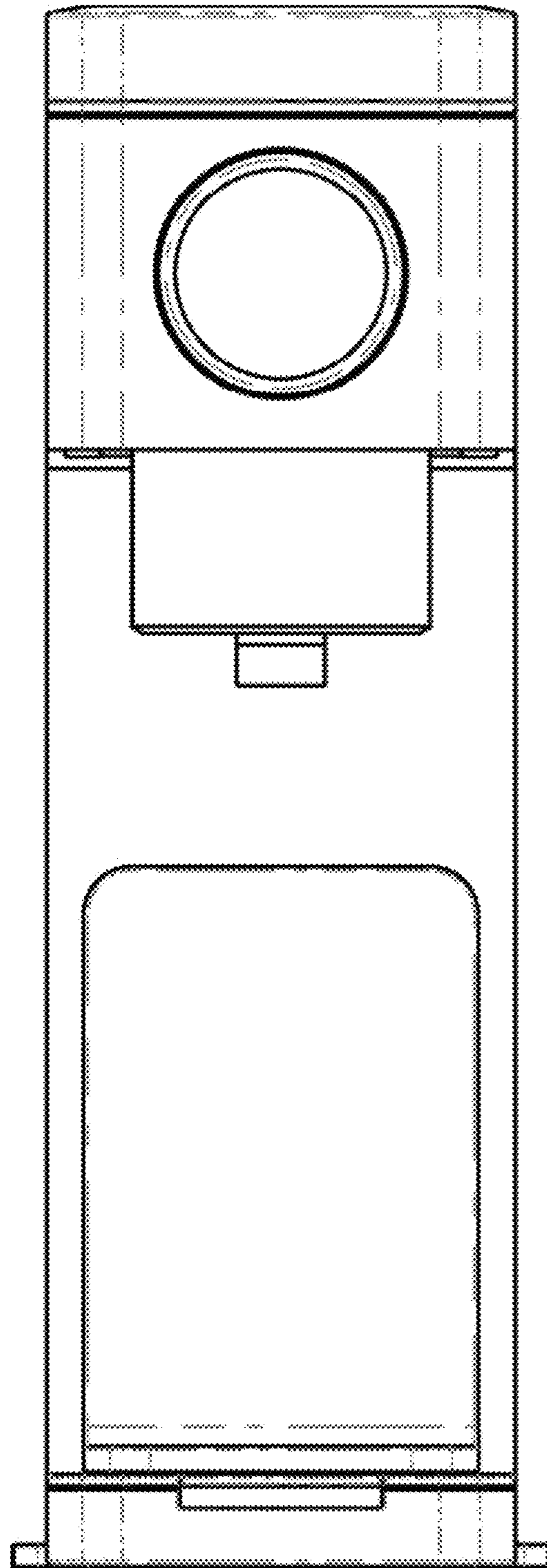


FIG. 5

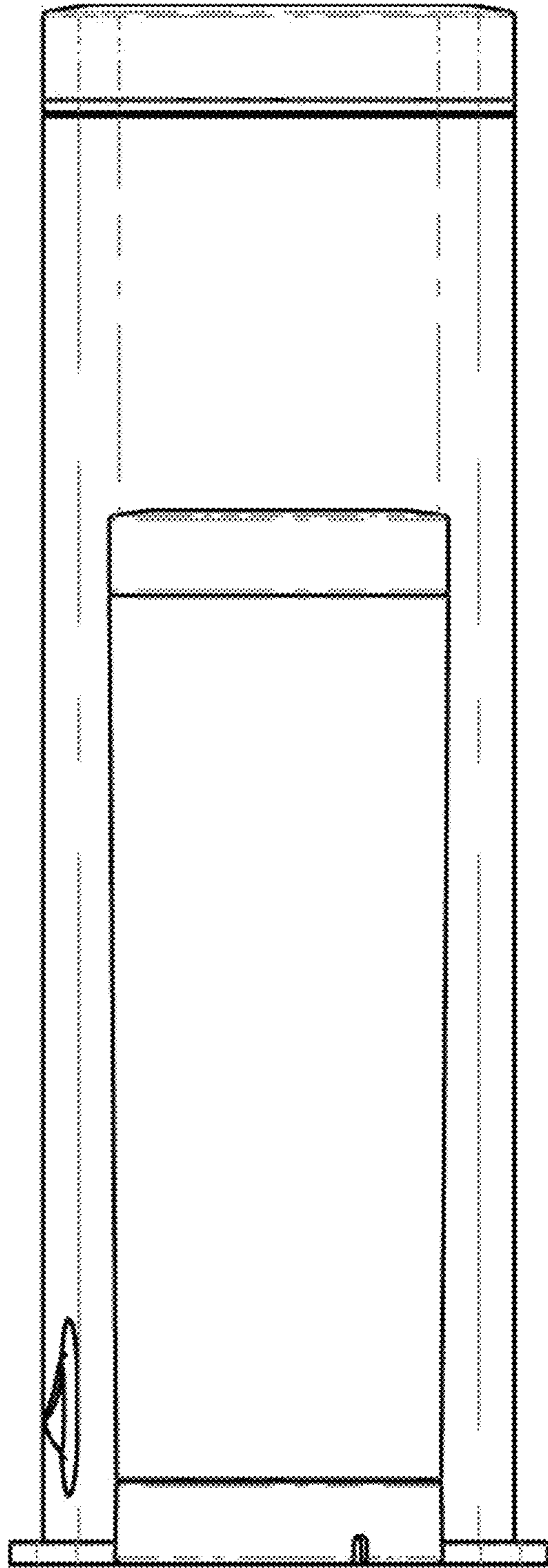


FIG. 6

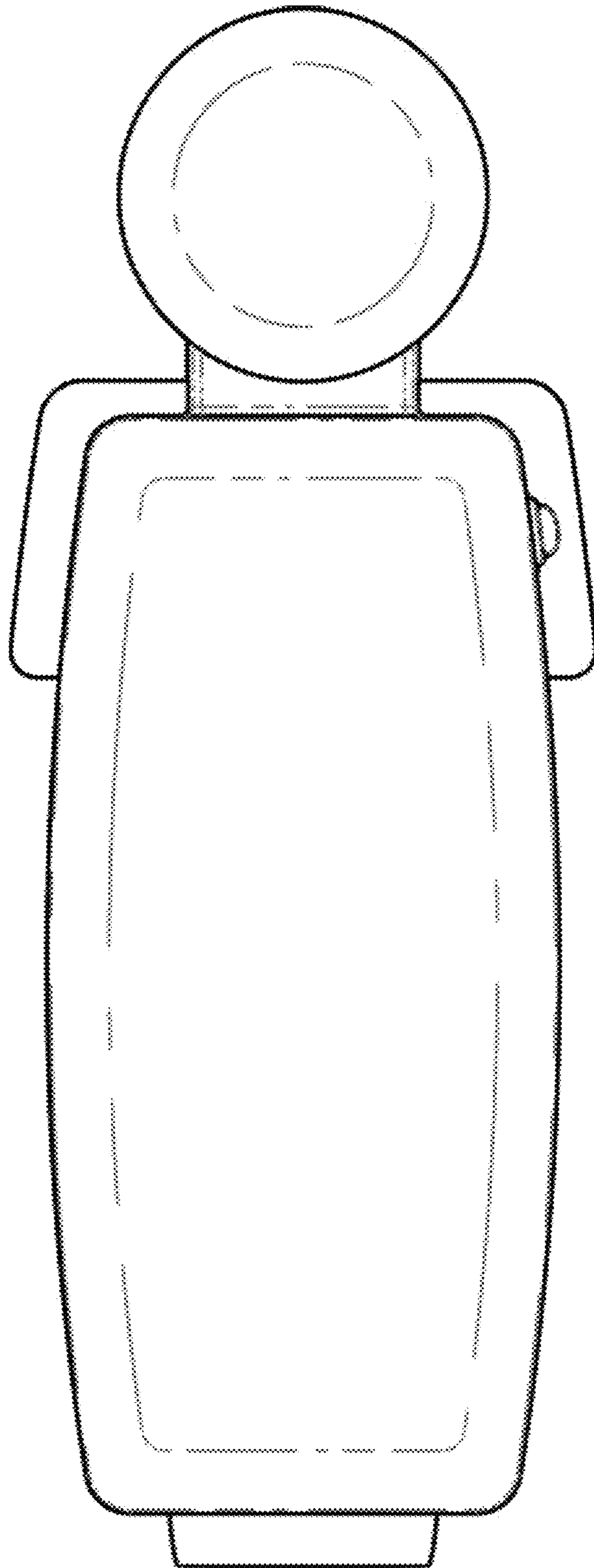


FIG. 7

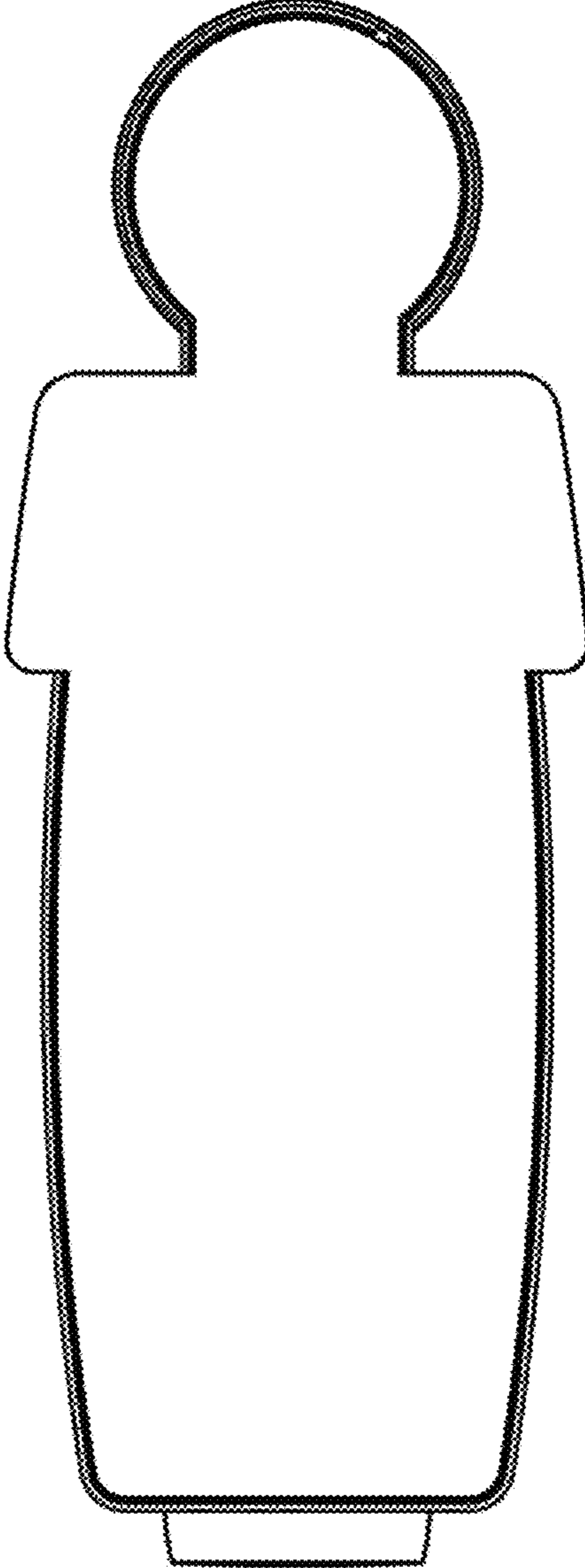


FIG. 8