

US00D795630S

(12) **United States Design Patent** (10) **Patent No.:** **US D795,630 S**
McLean et al. (45) **Date of Patent:** **** Aug. 29, 2017**

(54) **BEVERAGE PRESS** 3,657,993 A 4/1972 Close
3,927,608 A 12/1975 Doyel
(71) Applicant: **ESPRO, INC.**, Vancouver (CA) 3,935,318 A 1/1976 Mihailide
4,066,722 A 1/1978 Pietruszewski et al.
(72) Inventors: **Christopher R. McLean**, Vancouver 4,602,558 A 7/1986 Kaper et al.
(CA); **Bruce A. Constantine**, North 4,645,132 A 2/1987 Fregnan
Attleboro, MA (US) 4,650,583 A 3/1987 Bondanini
4,804,550 A 2/1989 Bardsley et al.
4,852,474 A 8/1989 Mahlich et al.
(73) Assignee: **Bruce Constantine**, North Attleboro, MA (US) (Continued)

FOREIGN PATENT DOCUMENTS

(**) Term: **15 Years**
(21) Appl. No.: **29/536,811** CA 1019251 A1 10/1977
CA 2418741 A1 8/2004
(Continued)

(22) Filed: **Aug. 19, 2015**

(51) **LOC (10) Cl.** **07-01**

(52) **U.S. Cl.**
USPC **D7/317; D7/319**

(58) **Field of Classification Search**
USPC D7/316-322, 598, 600, 536, 507;
222/188, 465.1, 713; D23/209
CPC A47J 41/0027; A47J 31/50; A47J 45/0077;
A47J 31/053; A47J 31/20; A47J 31/02;
A47J 45/10; A47J 31/14; A47J 411/02;
A47J 31/38; A47G 19/22; A47G 19/12
See application file for complete search history.

(56) **References Cited**

U.S. PATENT DOCUMENTS

1,025,206 A 5/1912 Rounds
1,581,877 A 4/1926 Schultz
1,954,064 A 4/1934 Blitz
2,299,918 A 10/1942 Mollenkamp
2,468,661 A 4/1949 Gladstone
2,516,703 A 7/1950 Kent
2,592,485 A 4/1952 Stair
2,793,790 A 5/1957 Kahler
3,158,084 A 11/1964 Cohn
3,260,510 A 7/1966 Ranson
3,561,888 A 2/1971 Jordan
3,589,683 A 6/1971 Robin

OTHER PUBLICATIONS

International Preliminary Report on Patentability, issued Nov. 17, 2010, and International Search Report, issued Aug. 6, 2009, for related application PCT/CA2009/000604, and 4 pages.
(Continued)

Primary Examiner — Marianne Pandozzi
(74) *Attorney, Agent, or Firm* — Crawford Maunu PLLC

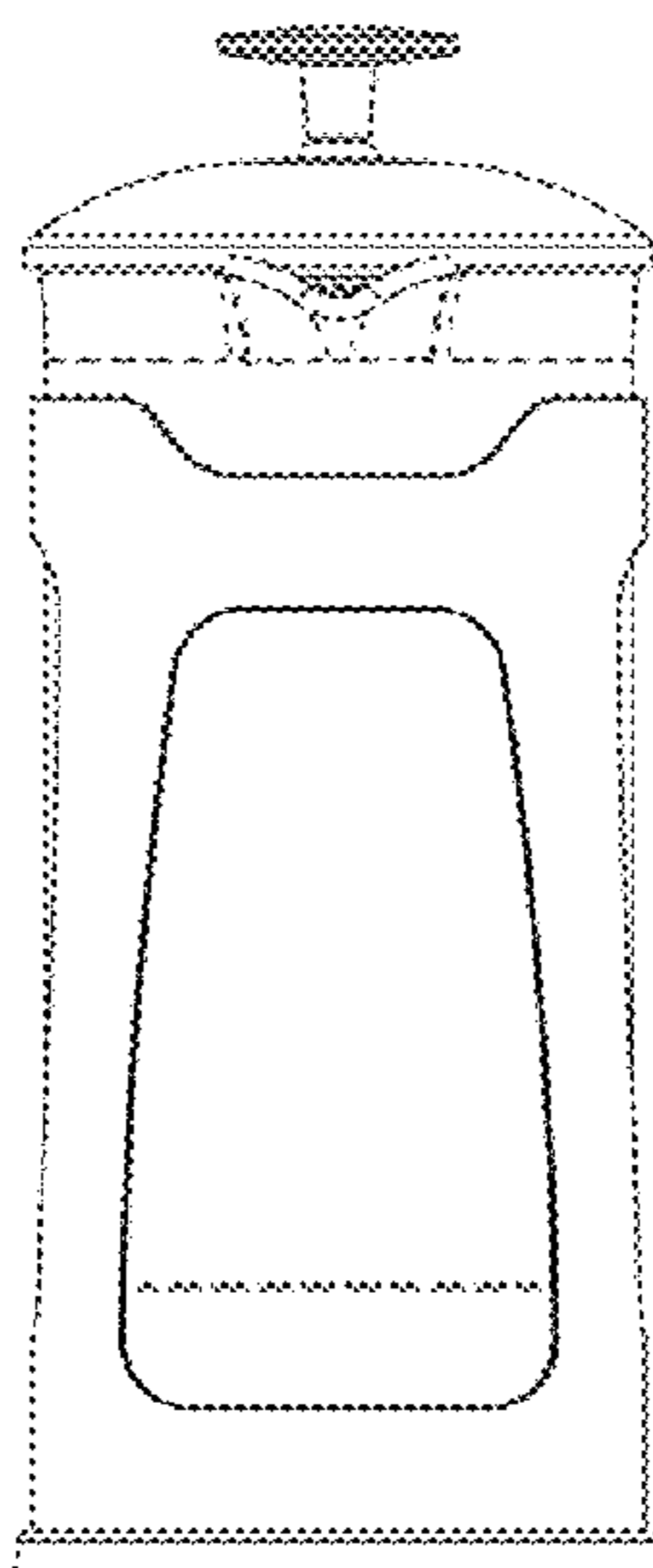
(57) **CLAIM**

The ornamental design for a beverage press, as shown and described.

DESCRIPTION

FIG. 1 is a front view of the ornamental design for a beverage press;
FIG. 2 is a left side view thereof;
FIG. 3 is a rear view thereof;
FIG. 4 is a top view thereof;
FIG. 5 is a bottom view thereof;
FIG. 6 is top, left-side perspective view thereof; and,
FIG. 7 is a right side view thereof.

1 Claim, 7 Drawing Sheets



(56)

References Cited

U.S. PATENT DOCUMENTS

4,945,824 A 8/1990 Borgmann
 4,950,082 A 8/1990 Carlson
 5,106,239 A 4/1992 Krebsbach
 5,141,134 A 8/1992 Machado
 5,174,194 A 12/1992 Piana
 D348,590 S 7/1994 Scott
 5,335,588 A 8/1994 Mahlich
 5,464,574 A 11/1995 Mahlich
 5,472,274 A 12/1995 Baillie
 5,478,586 A 12/1995 Connor
 5,487,486 A 1/1996 Meneo
 5,526,733 A 6/1996 Klawuhn et al.
 D375,233 S 11/1996 Hirsch
 D377,132 S * 1/1997 Jørgensen D7/318
 5,618,570 A 4/1997 Banks et al.
 5,622,099 A 4/1997 Frei
 5,636,563 A 6/1997 Oppermann et al.
 5,638,740 A 6/1997 Cai
 D384,539 S 10/1997 Joergensen
 D386,040 S * 11/1997 Joergensen D7/317
 D388,275 S * 12/1997 Joergensen D7/317
 5,770,074 A 6/1998 Pugh
 5,788,369 A 8/1998 Tseng
 D401,466 S * 11/1998 Joergensen D7/317
 D405,642 S * 2/1999 Toriba D7/317
 5,887,510 A 3/1999 Porter
 D410,170 S 5/1999 Sheu
 5,911,810 A 6/1999 Kawabata
 5,913,964 A 6/1999 Melton
 5,932,098 A 8/1999 Ross
 D413,480 S 9/1999 Joergensen
 6,095,032 A 8/2000 Barnett et al.
 D435,195 S 12/2000 Joergensen
 6,220,147 B1 4/2001 Priley
 D448,601 S * 10/2001 Yeh D7/317
 D448,602 S 10/2001 Bodum
 D448,603 S * 10/2001 Yeh D7/317
 D449,760 S 10/2001 Yeh
 6,296,884 B1 10/2001 Okerlund
 D450,223 S 11/2001 Joergensen
 6,324,966 B1 12/2001 Joergensen
 D453,446 S 2/2002 Bodum
 D457,377 S 5/2002 Jorgensen
 6,382,083 B2 5/2002 Schmed
 D458,074 S * 6/2002 Bodum D7/317
 6,412,394 B2 7/2002 Bonanno
 D462,233 S 9/2002 Jorgensen
 D468,597 S 1/2003 Kerr
 6,736,295 B2 5/2004 Lin et al.
 D493,662 S 8/2004 Bodum
 D494,803 S 8/2004 Bodum
 6,797,160 B2 9/2004 Huang
 6,797,304 B2 9/2004 McGonagle
 6,811,299 B2 11/2004 Collier
 D501,354 S 2/2005 Graves et al.
 D503,069 S 3/2005 Dilollo et al.
 6,964,223 B2 11/2005 O'Loughlin
 6,978,682 B2 12/2005 Foster et al.
 D513,919 S * 1/2006 Bodum D7/317
 7,032,505 B2 4/2006 Brady
 7,093,531 B2 8/2006 Tardif
 7,194,951 B1 3/2007 Porter
 D542,078 S 5/2007 Bodum
 7,213,507 B2 5/2007 Glucksman et al.
 D563,713 S * 3/2008 Bodum D7/317
 D565,887 S * 4/2008 Bodum D7/317
 D566,454 S * 4/2008 Bodum D7/317
 D571,610 S 6/2008 Bodum
 7,384,182 B2 6/2008 Bhavnani
 D573,396 S * 7/2008 Gauss D7/317
 D584,559 S 1/2009 Bodum
 D587,069 S 2/2009 Bodum
 D594,267 S * 6/2009 Bodum D7/317
 7,578,231 B2 8/2009 Liu
 D608,142 S * 1/2010 Davies D7/397

D610,860 S * 3/2010 Bodum D7/317
 D612,660 S * 3/2010 Bodum D7/317
 D622,546 S 8/2010 Bodum
 D628,846 S * 12/2010 Bodum D7/317
 7,858,133 B2 12/2010 Neace, Jr. et al.
 7,882,975 B2 2/2011 Kelly
 7,946,752 B2 5/2011 Swartz et al.
 7,958,816 B2 6/2011 Lin
 7,992,486 B2 8/2011 Constantine et al.
 D645,290 S 9/2011 Bodum
 8,051,766 B1 11/2011 Yu et al.
 D652,682 S 1/2012 Eyal
 D653,492 S 2/2012 Enghard
 D654,756 S 2/2012 Bodum
 D655,134 S 3/2012 Gilbert
 D655,967 S 3/2012 Bodum
 8,152,361 B2 4/2012 Swartz et al.
 D662,354 S 6/2012 Bodum
 D663,155 S * 7/2012 Bodum D7/317
 8,272,532 B2 9/2012 Michaelian et al.
 8,313,644 B2 11/2012 Harris et al.
 D677,103 S * 3/2013 Melzer D7/317
 8,387,820 B2 3/2013 Park
 D680,792 S * 4/2013 Bodum D7/317
 D681,388 S 5/2013 Bodum
 8,448,810 B2 5/2013 Kelly et al.
 8,529,119 B2 9/2013 Swartz et al.
 D694,579 S 12/2013 Khubani
 D695,138 S 12/2013 Ball
 D698,649 S 2/2014 Quint
 D700,807 S 3/2014 Kershaw et al.
 D701,425 S 3/2014 Pearson
 8,667,662 B2 3/2014 Kelly
 8,695,486 B2 4/2014 Bodum
 8,770,097 B2 7/2014 McLean et al.
 D718,566 S * 12/2014 Lu D7/317
 D718,567 S * 12/2014 Lu D7/317
 2001/0053399 A1 12/2001 Herod
 2003/0047081 A1 3/2003 McGonagle
 2003/0205145 A1 11/2003 Chang
 2004/0206243 A1 10/2004 Foster et al.
 2005/0046211 A1 3/2005 Nole et al.
 2005/0109689 A1 5/2005 Trachtenbroit
 2006/0118481 A1 6/2006 Trachtenbroit
 2007/0028779 A1 2/2007 Pigliacampo et al.
 2007/0151461 A1 7/2007 Edmark
 2007/0187421 A1 8/2007 Constantine et al.
 2007/0251956 A1 11/2007 Wasserman et al.
 2008/0041860 A1 2/2008 Wiedmeyer et al.
 2010/0263549 A1 10/2010 Lee
 2010/0294772 A1 11/2010 Judge
 2010/0319549 A1 12/2010 Kelty et al.
 2011/0056385 A1 3/2011 McLean et al.
 2011/0309094 A1 12/2011 Bodum
 2012/0067890 A1 3/2012 Cahen et al.
 2012/0097042 A1 4/2012 Lin
 2012/0199160 A1 8/2012 Galbis
 2012/0216682 A1 8/2012 Bodum
 2012/0328750 A1 12/2012 Giordano
 2013/0142592 A1 6/2013 Khowaylo et al.
 2013/0175278 A1 7/2013 Kah, Jr.
 2013/0213240 A1 8/2013 O'Brien
 2013/0233869 A1 9/2013 Tamarit Rios
 2013/0284030 A1 10/2013 Katz et al.
 2014/0001208 A1 1/2014 Bodum
 2014/0054301 A1 2/2014 Guoqing
 2014/0060337 A1 3/2014 Varnum
 2014/0072684 A1 3/2014 Madden
 2014/0076908 A1 3/2014 Pinelli
 2014/0311353 A1 10/2014 McLean et al.

FOREIGN PATENT DOCUMENTS

CN 200974622 Y 11/2007
 CN 201595680 U 10/2010
 CN 201691689 U 1/2011
 CN 201831469 U 5/2011

(56)

References Cited

FOREIGN PATENT DOCUMENTS

DE	20104815 U1	6/2001
EP	1267684 B1	5/2006
FR	1249992 A	1/1961

OTHER PUBLICATIONS

La Marzocco International, "Swift EPS_B Operating Manual V1.0," copyright 2002, pp. 1-31 (incl. pp. 8-12, 19, 25, 20-30), La Marzocco, International, USA.

Macap, <<http://www.macapit/english/prodotto.asp?cat=1&subcat=4>>, accessed Mar. 15, 2005, posted as early as 2002, p. 1.
1st-Line Equipment, <<http://www.1st-line.net/cgi-bin/category.cgi?item=CPS&type=store>>, accessed Mar. 15, 2005, posted as early as 2002, pp. 1-2.

Coffeegeek, <<http://www.coffeegeek.com/reviews/accessories/autotamper/tenacioustommy>>, posted Oct. 24, 2002, pp. 1-5.

Schomer, D.C., <<http://www.lucidcafe.com/cafeforum/schomertable11.html>>, revised Oct. 24, 1997, copyright 1996-97, pp. 1-2.

Crankshaw, J., <<http://home.att.net/~jcrankshaw/tamper.htm>>, accessed Sep. 16, 2003, copyright 199-2002, pp. 1-3.

Coffee Research Institute, "Tamping," <<http://www.coffeeresearch.org/espresso/tamping.htm>>, accessed Nov. 26, 2004, posted 2001 or earlier, pp. 1-3.

Medium Espro Press, available at <https://www.kickstarter.com/projects/bruceconstantine/the-medium-espro-press>, Feb. 26, 2013.

Espro Press, available at https://www.kickstarter.com/projects/bruceconstantine/the-espro-press?ref=nav_search, Nov. 25, 2011.

European Supplemental Search Report in related application No. EP 09745330, Jul. 28, 2015.

* cited by examiner

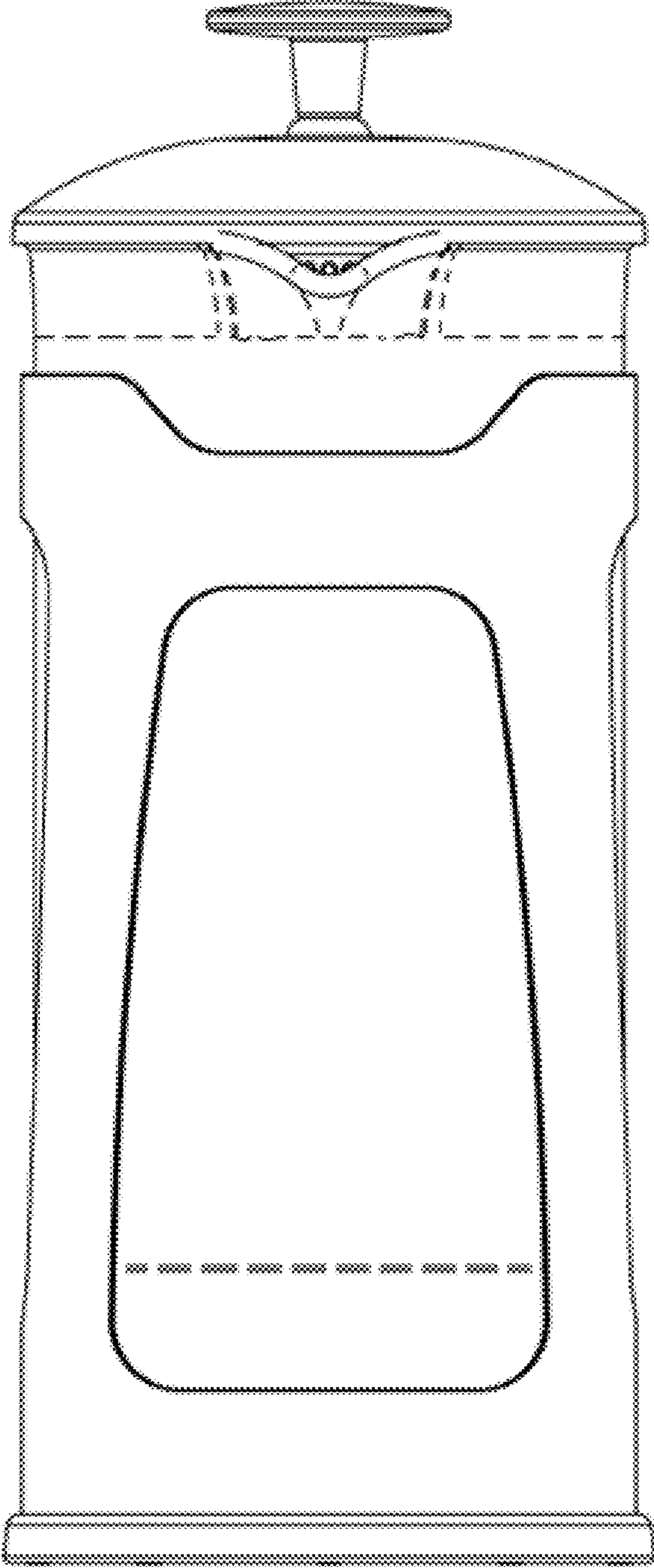


FIG. 1

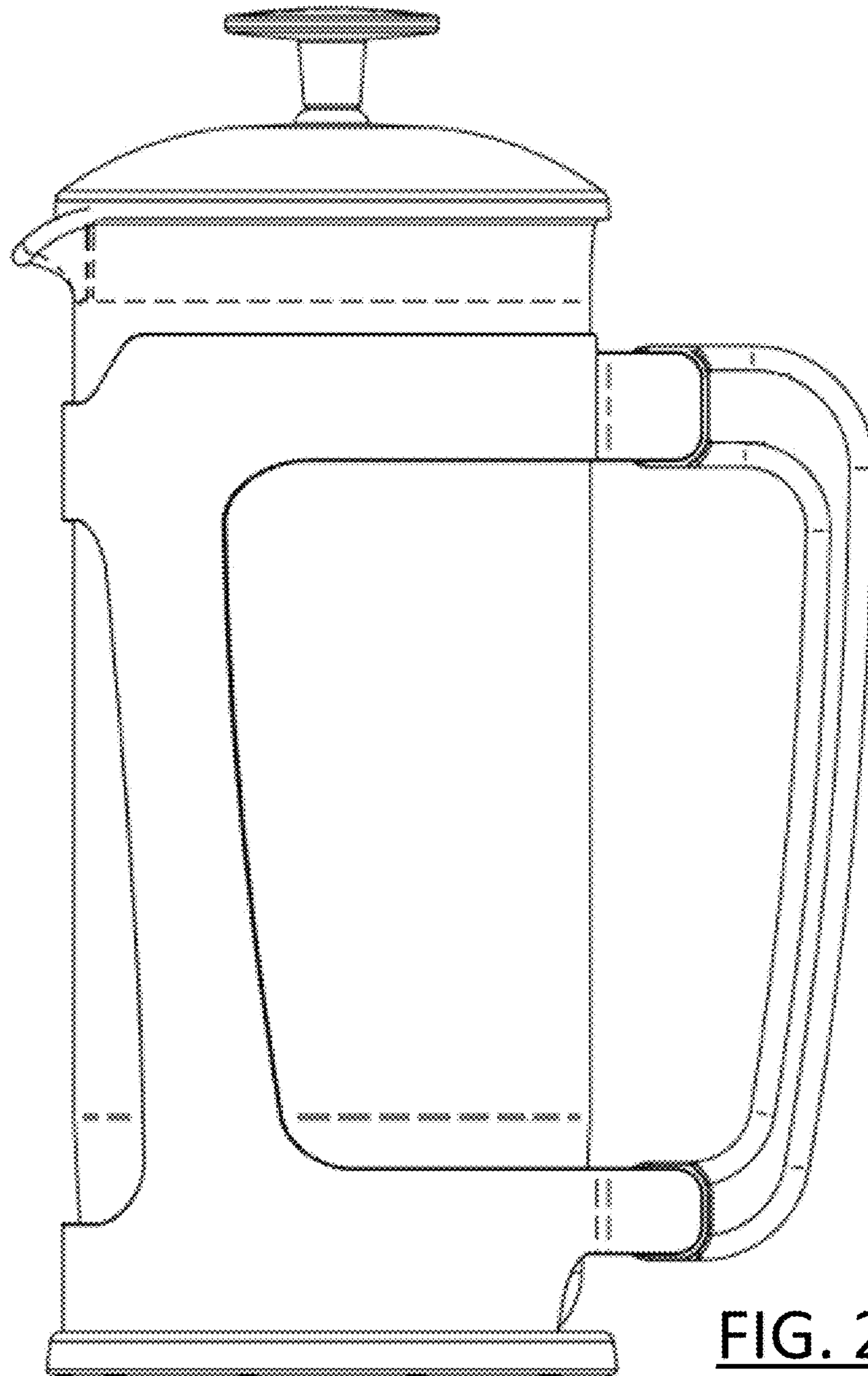


FIG. 2

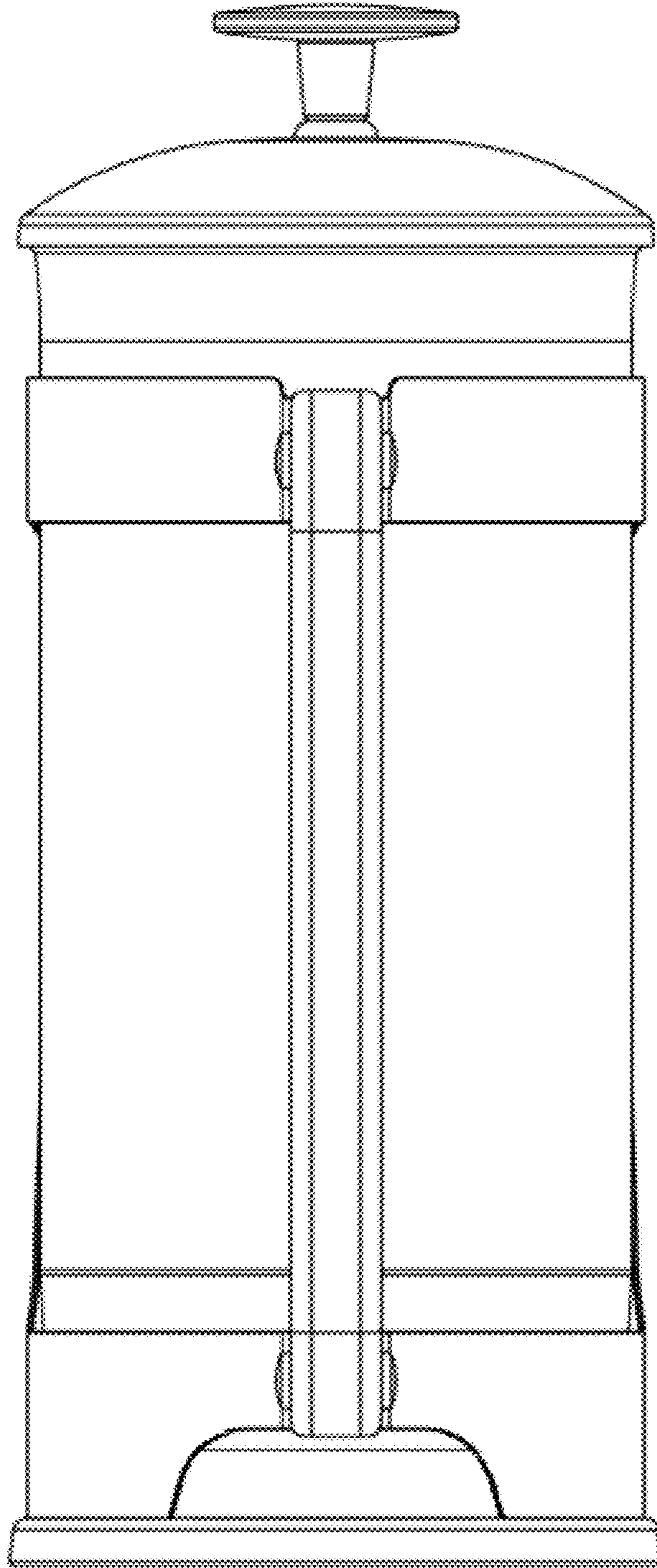


FIG. 3

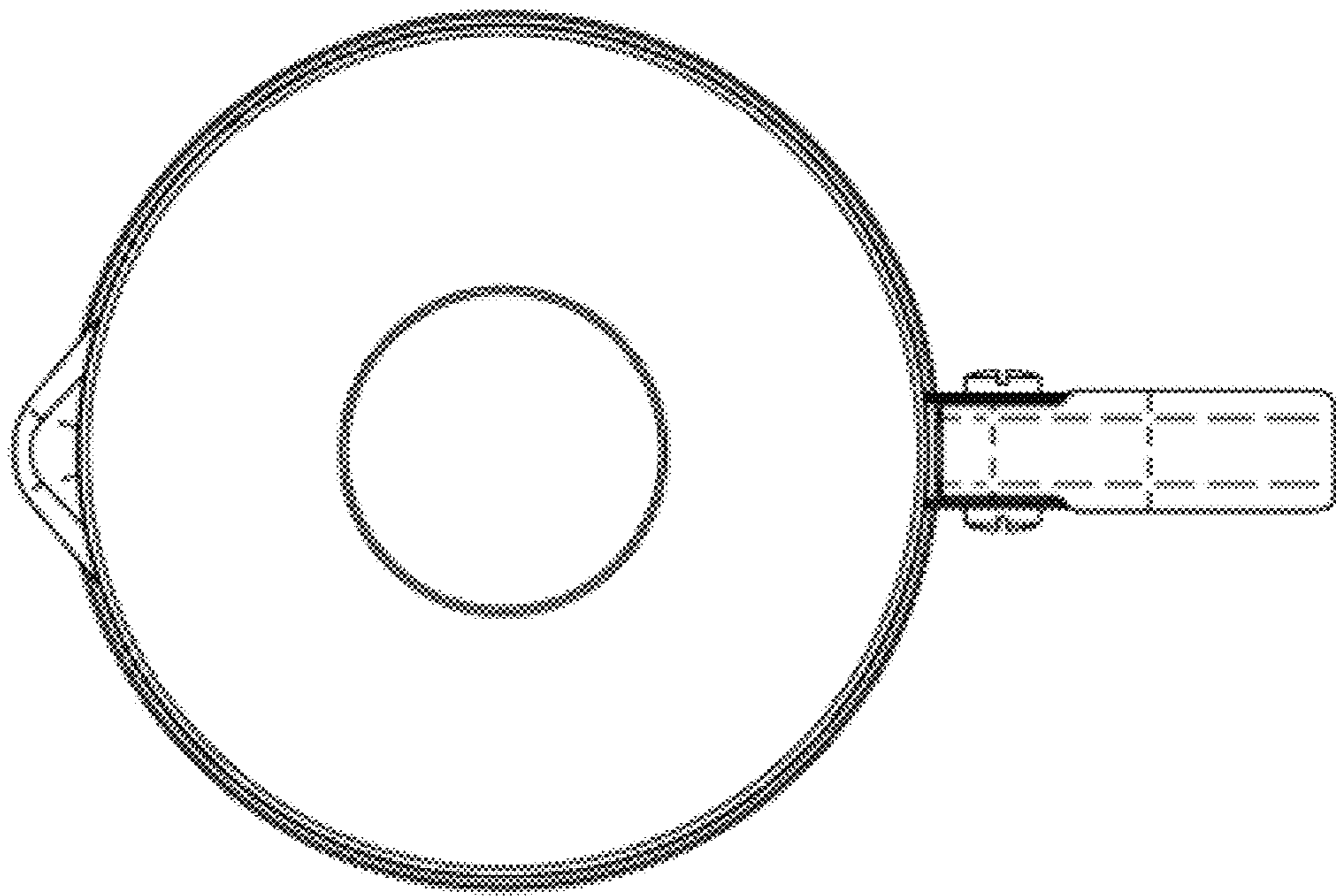


FIG. 4

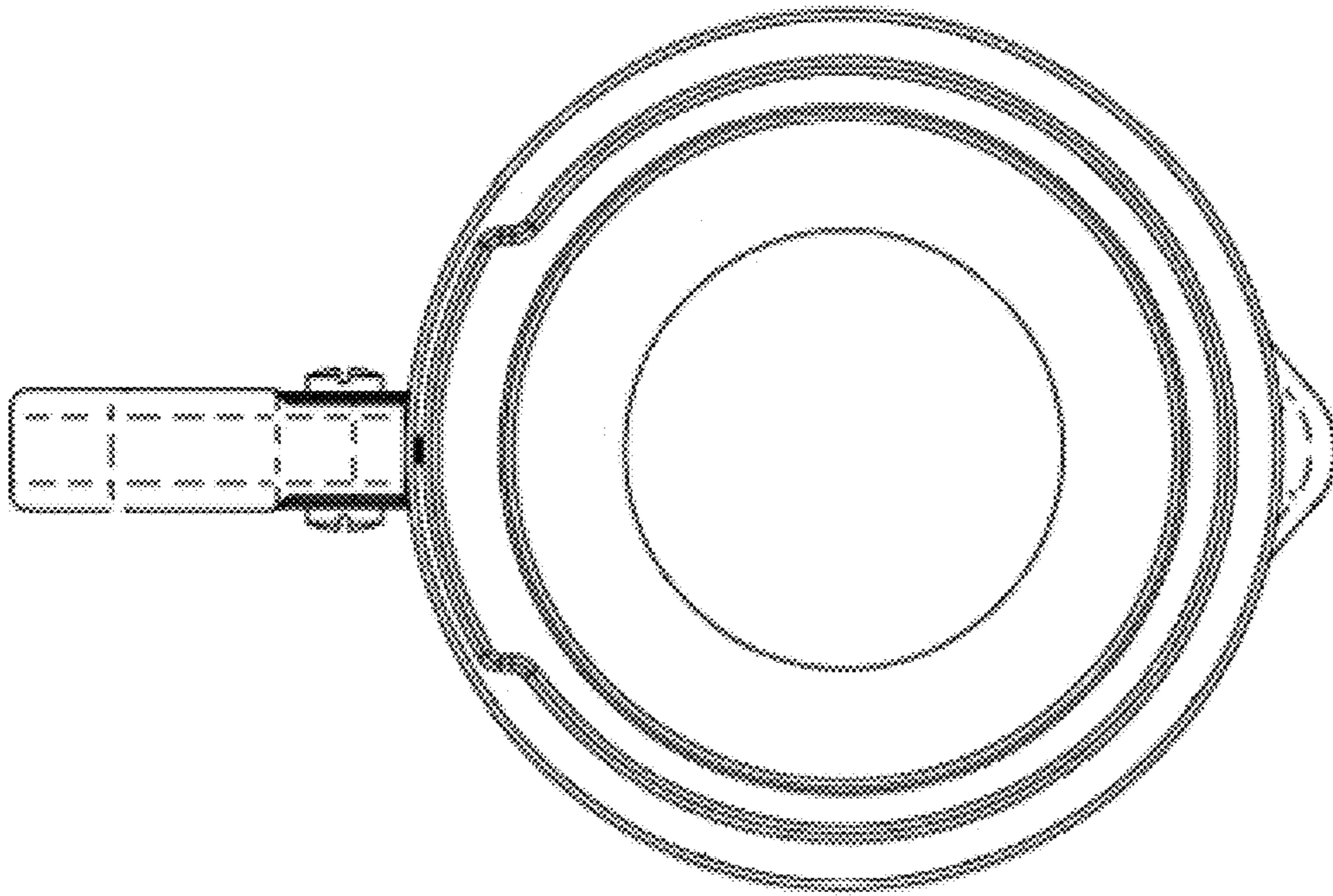


FIG. 5

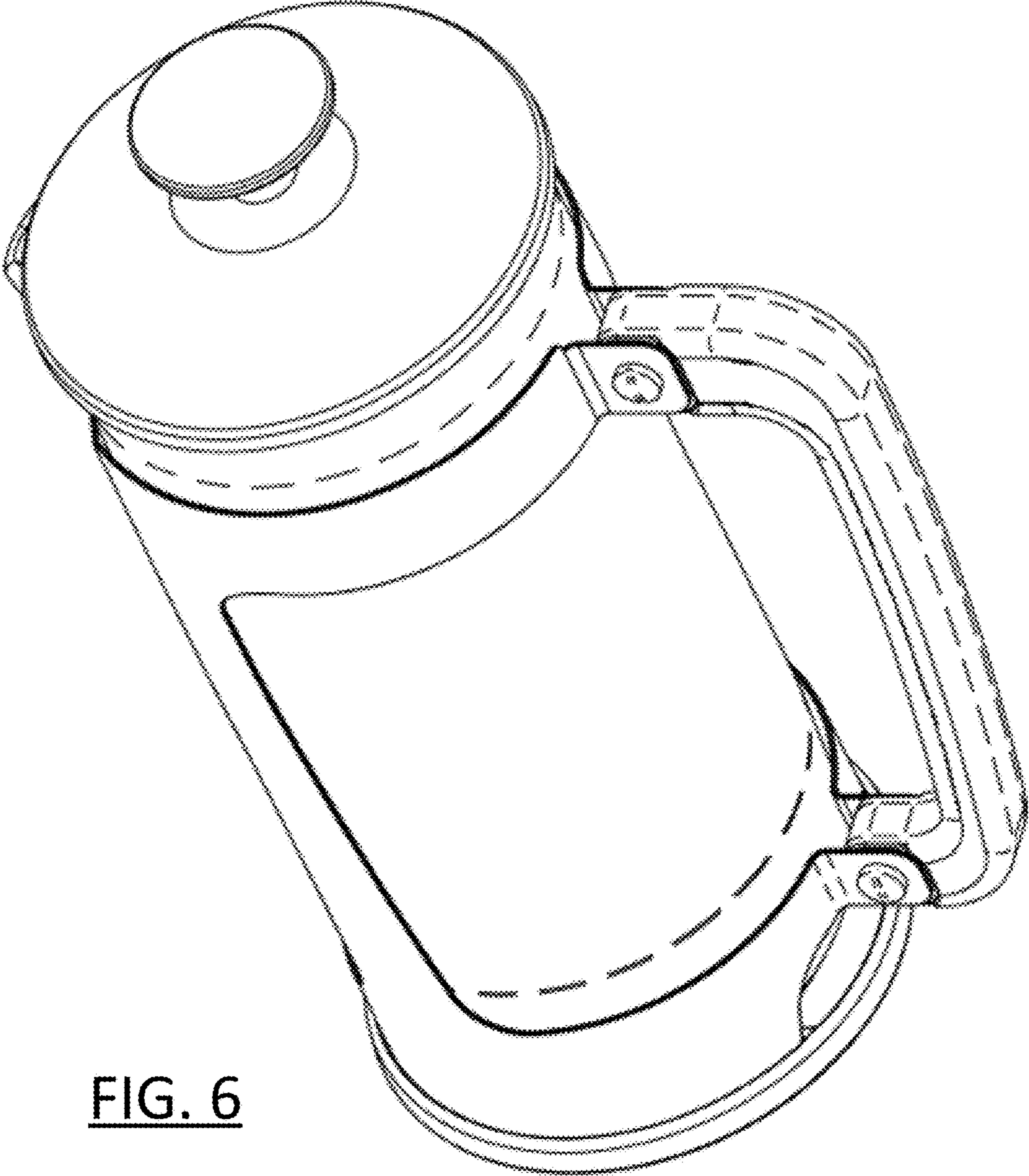


FIG. 6

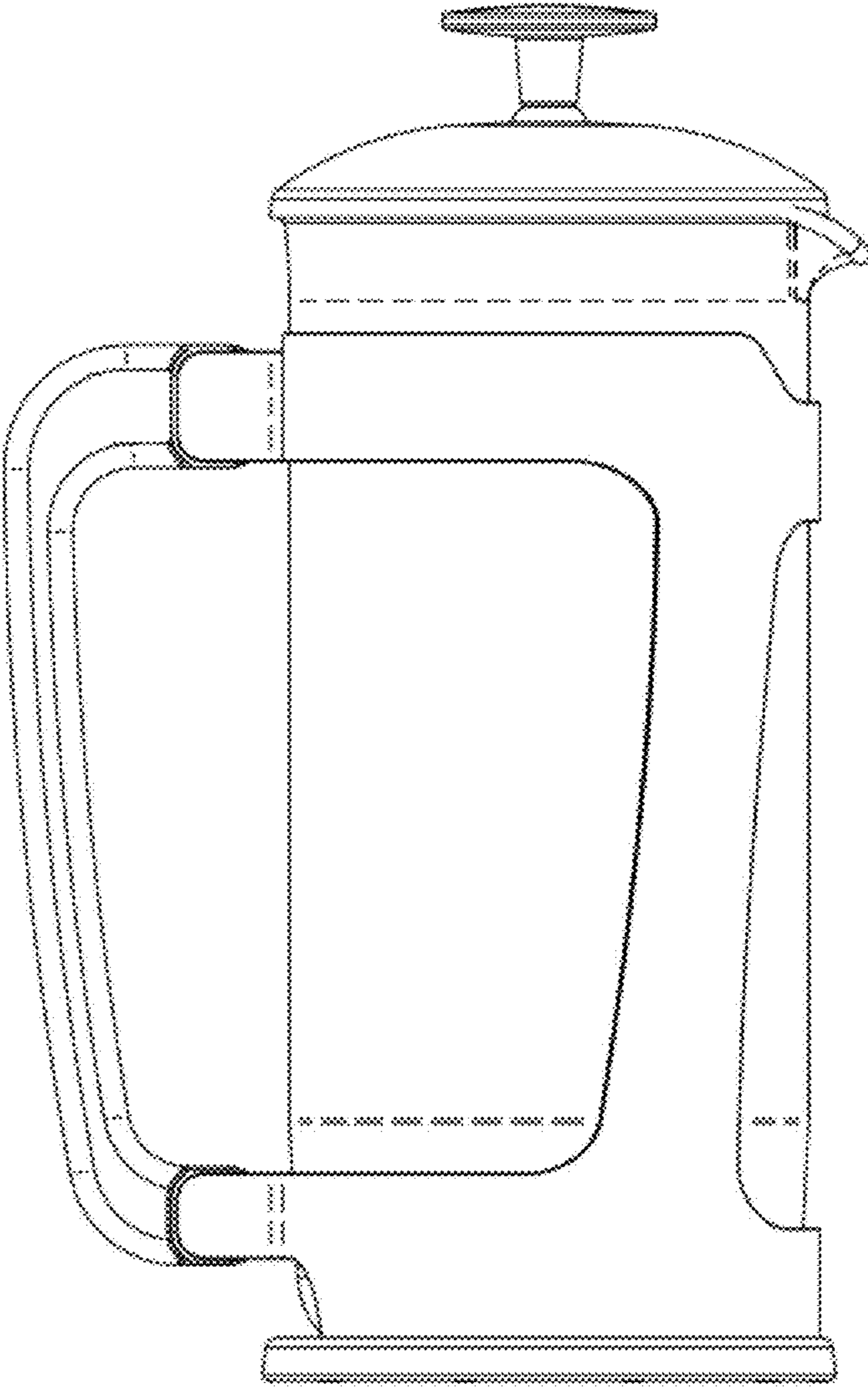


FIG. 7

UNITED STATES PATENT AND TRADEMARK OFFICE
CERTIFICATE OF CORRECTION

PATENT NO. : D795,630 S
APPLICATION NO. : 29/536811
DATED : August 29, 2017
INVENTOR(S) : Christopher R. McLean and Bruce A. Constantine

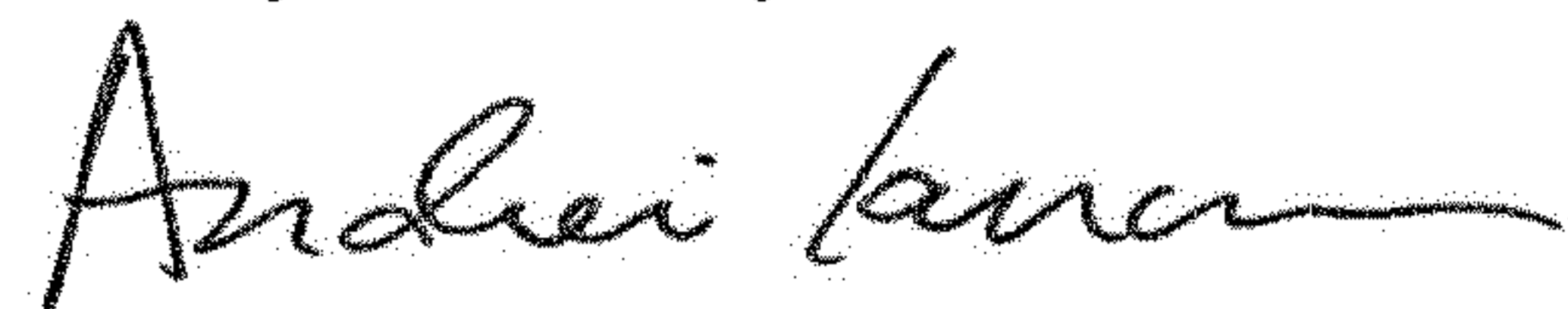
Page 1 of 8

It is certified that error appears in the above-identified patent and that said Letters Patent is hereby corrected as shown below:

In the Drawings

Please replace the published drawing sheets (containing Figures 1, 2, 3, 4, 5, 6, and 7) with the attached drawing sheets.

Signed and Sealed this
Twenty-third Day of October, 2018



Andrei Iancu
Director of the United States Patent and Trademark Office

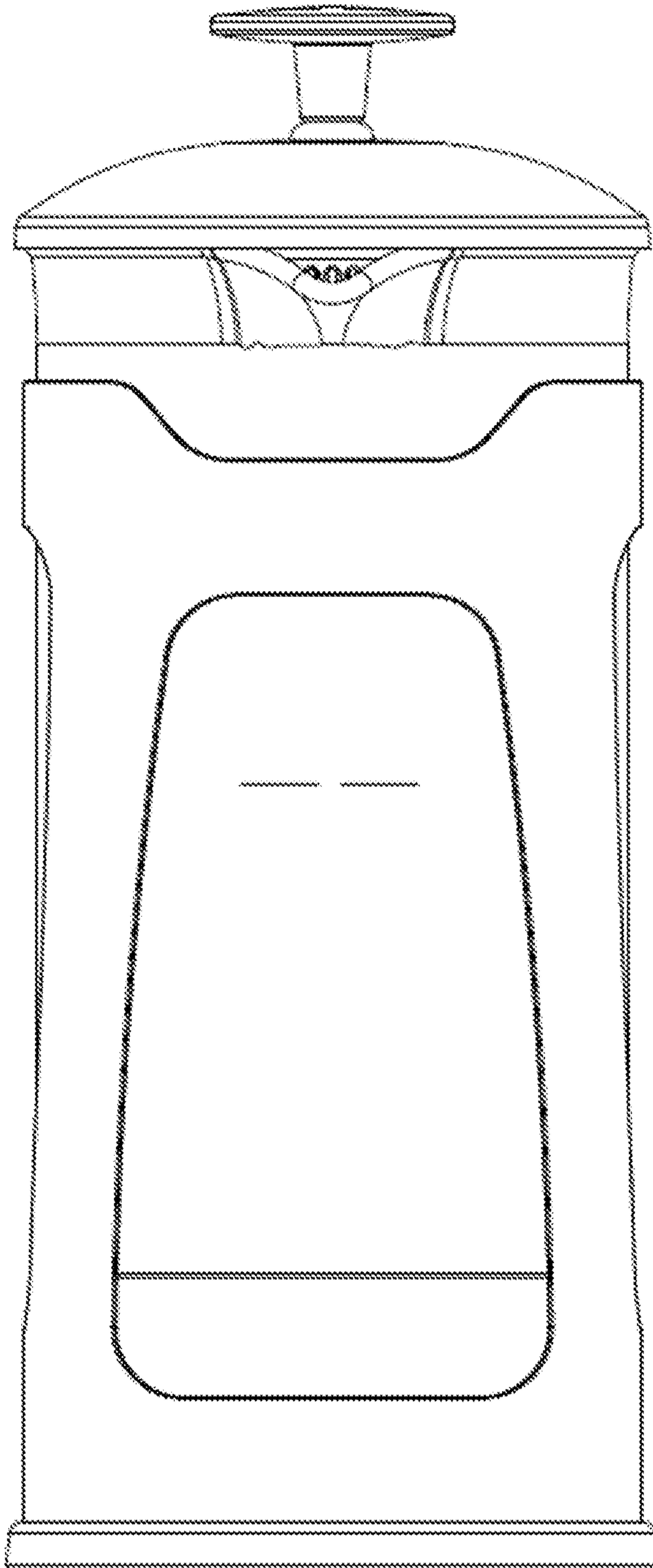


FIG. 1

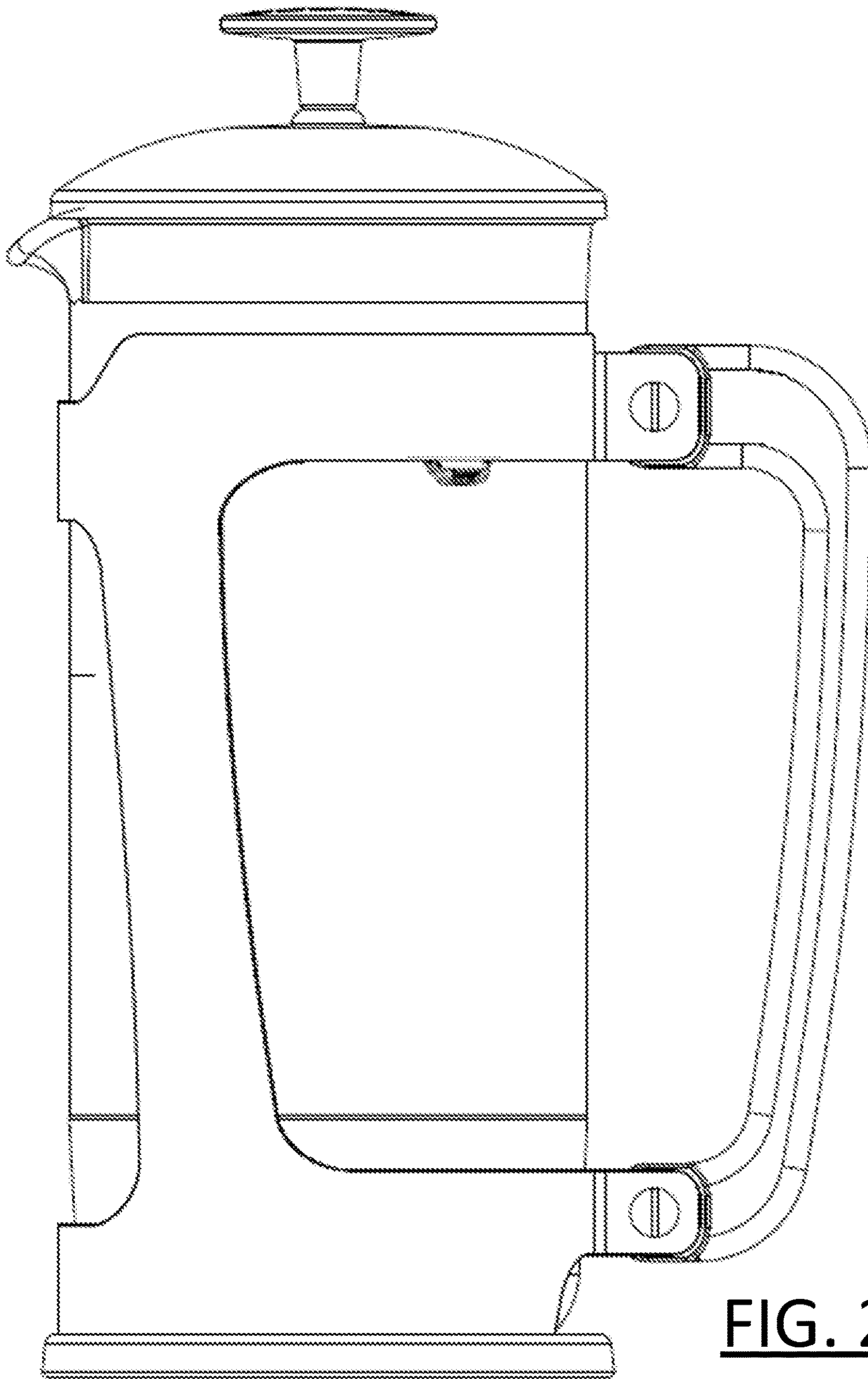


FIG. 2

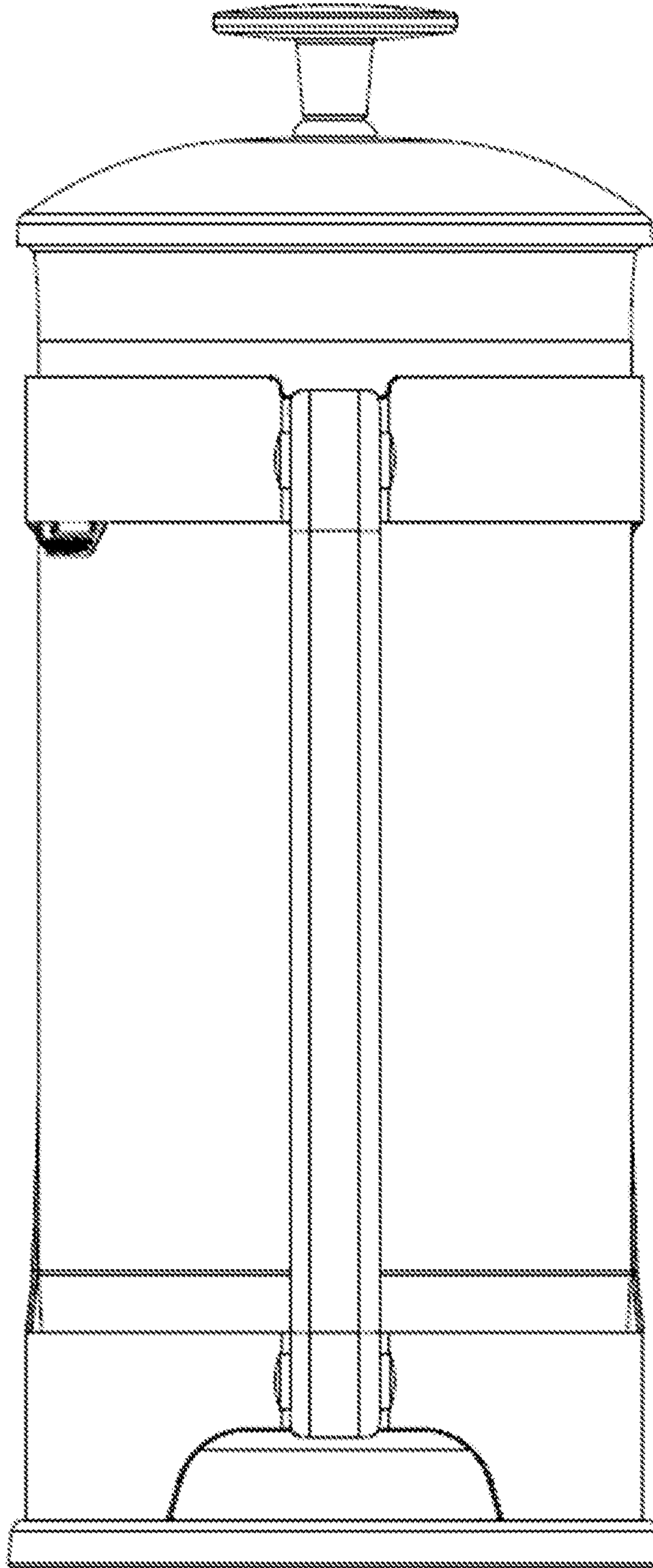


FIG. 3

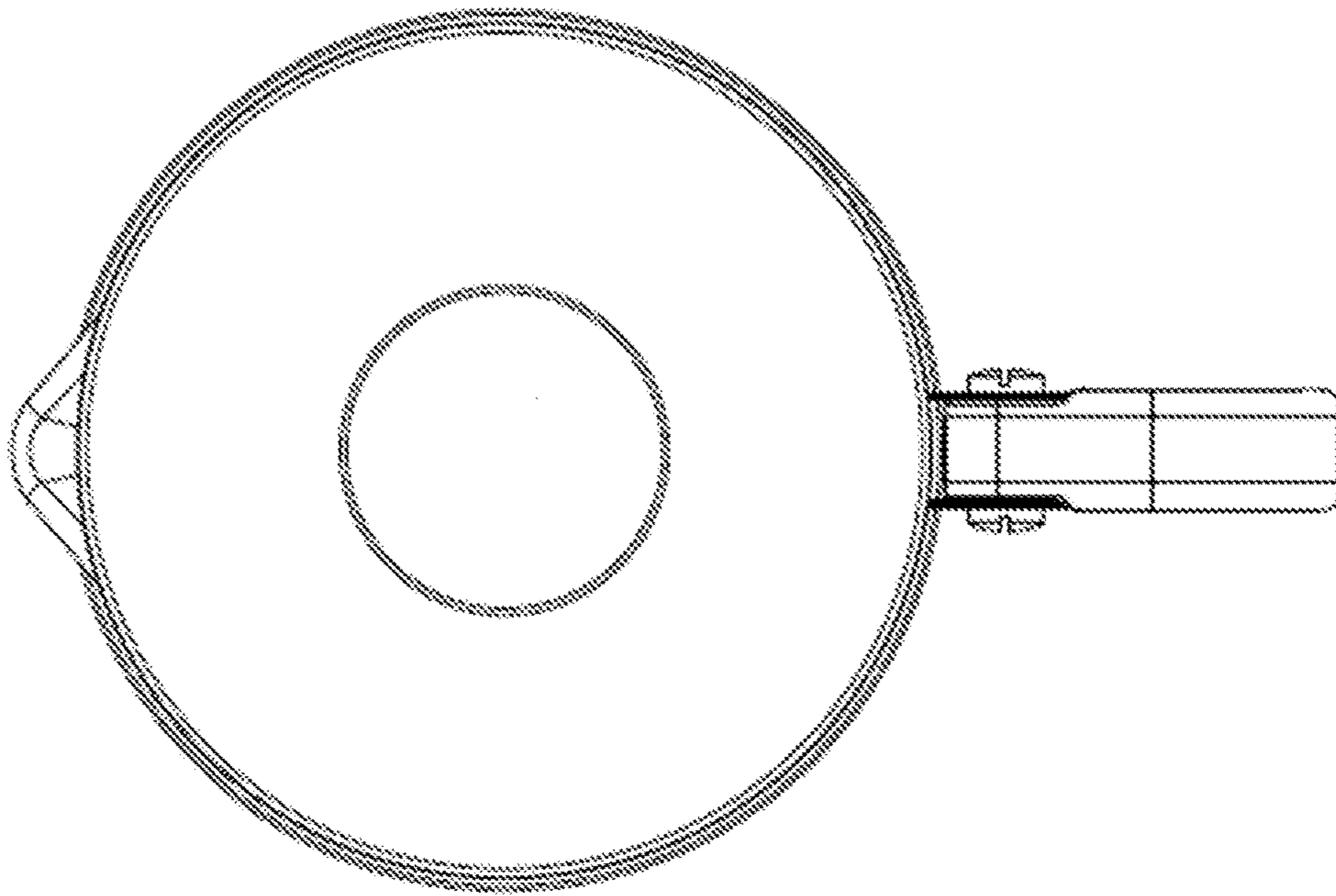


FIG. 4

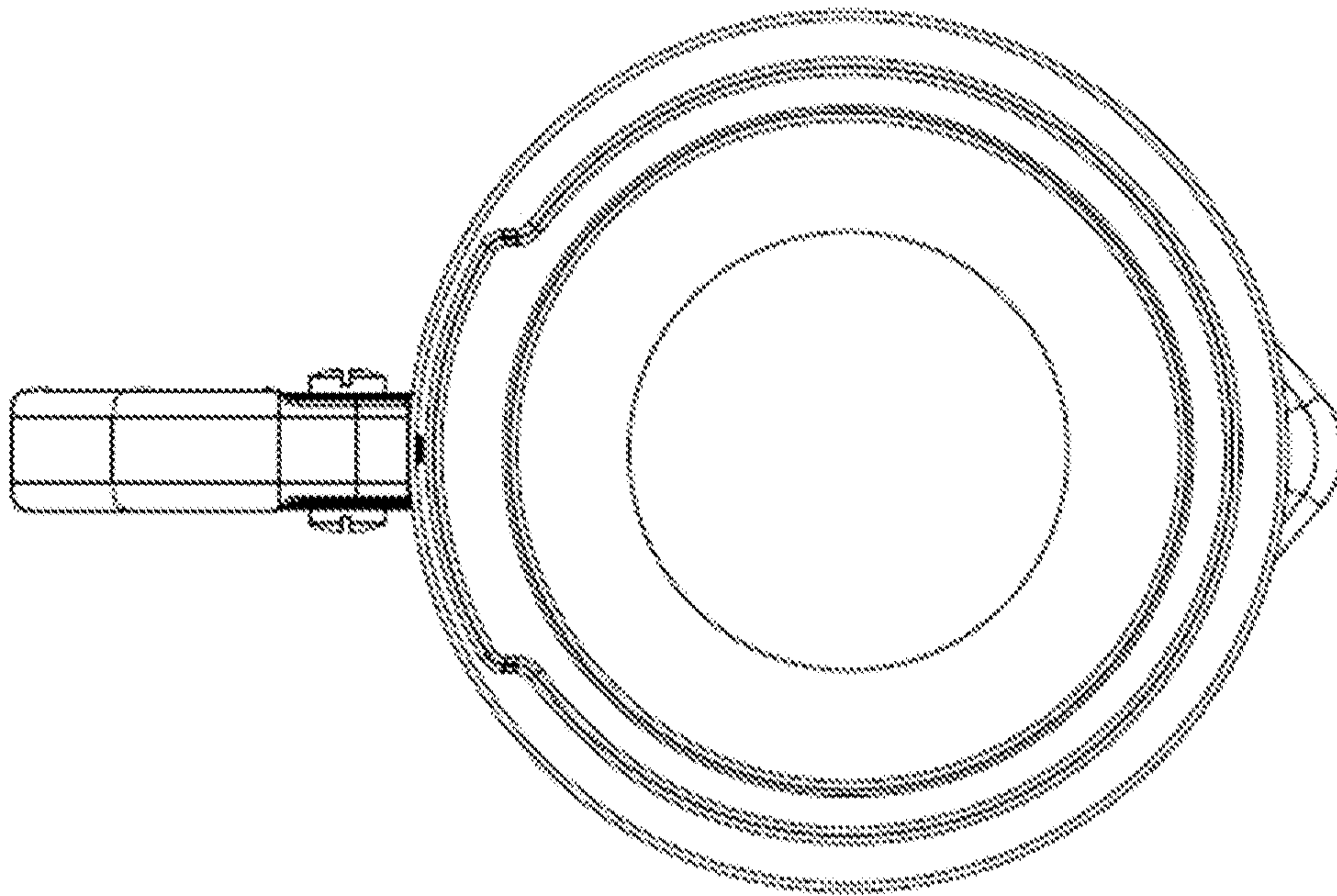


FIG. 5

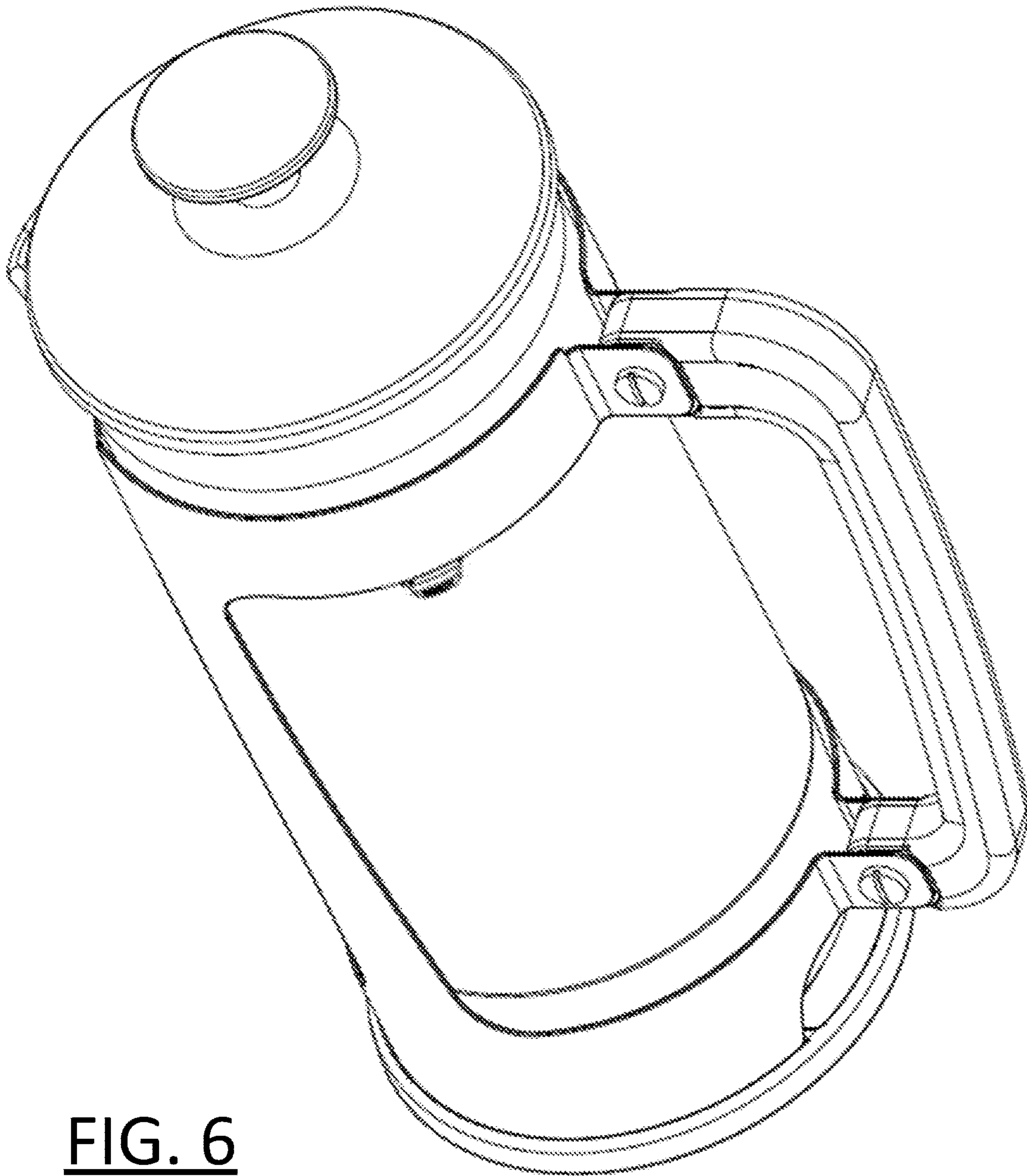


FIG. 6

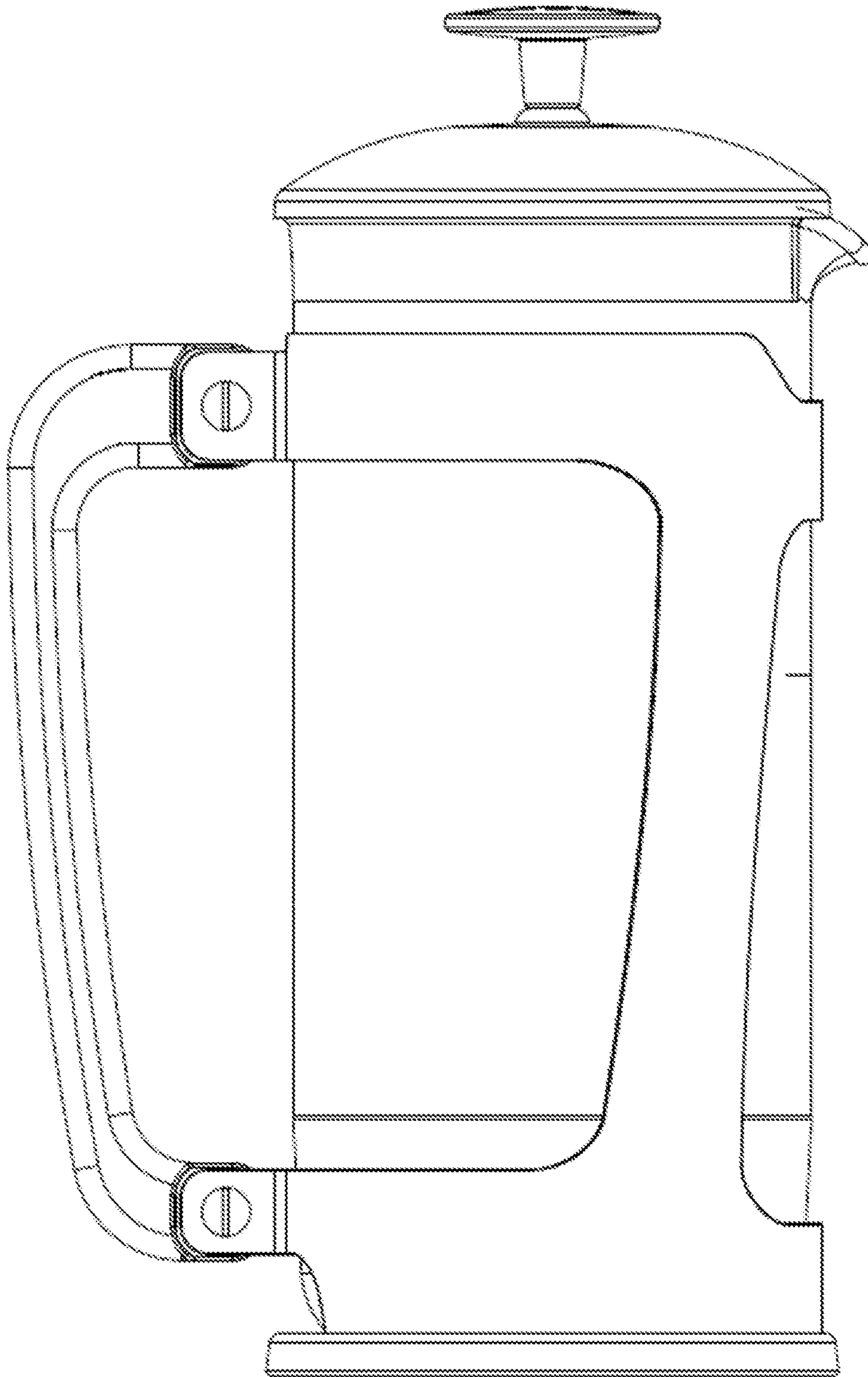


FIG. 7