

US00D795628S

(12) **United States Design Patent** (10) **Patent No.:** **US D795,628 S**
Roberts et al. (45) **Date of Patent:** **** Aug. 29, 2017**

(54) **BEVERAGE CARTRIDGE AND PRESS ASSEMBLY**

(71) Applicant: **E. & J. Gallo Winery**, Modesto, CA (US)

(72) Inventors: **Kimberly Roberts**, San Francisco, CA (US); **Patrick Coyle**, Modesto, CA (US); **Alexander Coriano, III**, Brisbane, CA (US); **Vivian K. Barad**, San Francisco, CA (US); **Thomas Dieter Christian-Overthun**, San Francisco, CA (US); **David Jason Wilkins**, San Francisco, CA (US); **Anthony Peter Patron**, Mountain View, CA (US); **Eben Roy Sargent**, Seattle, WA (US); **Daniel Lawrence Evans**, Oakland, CA (US)

(73) Assignee: **E. & J. Gallo Winery**, Modesto, CA (US)

(**) Term: **15 Years**

(21) Appl. No.: **29/533,270**

(22) Filed: **Jul. 15, 2015**

(51) **LOC (10) Cl.** **07-01**

(52) **U.S. Cl.**
USPC **D7/306**; D7/313; D9/693; D6/542

(58) **Field of Classification Search**
USPC D7/306-311, 305, 300, 397, 398, 399, D7/400, 313; 99/279, 284, 290, 280, 99/299, 307, 297, 295, 323, 275, 281, 99/300, 302 R, 282, 288; 426/433; D20/4, 5, 1; D9/693; D6/542
CPC .. A47J 31/44; A47J 31/00; A47J 31/46; A47J 31/10; A47J 31/56; A47J 31/42; A47J 431/4482; A47J 27/2105; A47J 31/4403; A47J 31/32; A47J 31/4457; A47J 31/52; A47J 31/0573; A47J 31/545; B65D 81/3266

See application file for complete search history.

(56) **References Cited**

U.S. PATENT DOCUMENTS

D244,529 S * 5/1977 Gomez D19/168
D320,735 S * 10/1991 Pettengill D9/526
D373,529 S * 9/1996 Zogg D9/693
D396,588 S * 8/1998 Mack D6/542

(Continued)

Primary Examiner — Marianne Pandozzi

(74) *Attorney, Agent, or Firm* — Steptoe & Johnson LLP

(57) **CLAIM**

We claim the ornamental design for a beverage cartridge and press assembly, as shown and described.

DESCRIPTION

FIG. 1 is a perspective view of a beverage cartridge and press assembly showing our new design with the tap in closed position;

FIG. 2 is a front view thereof;

FIG. 3 is a rear view thereof;

FIG. 4 is a left side view thereof;

FIG. 5 is a right side view thereof;

FIG. 6 is a top plan view thereof;

FIG. 7 is a bottom plan view thereof;

FIG. 8 is a perspective view of a beverage cartridge and press assembly showing our new design with the tap in open position;

FIG. 9 is a front view thereof;

FIG. 10 is a rear view thereof;

FIG. 11 is a left side view thereof;

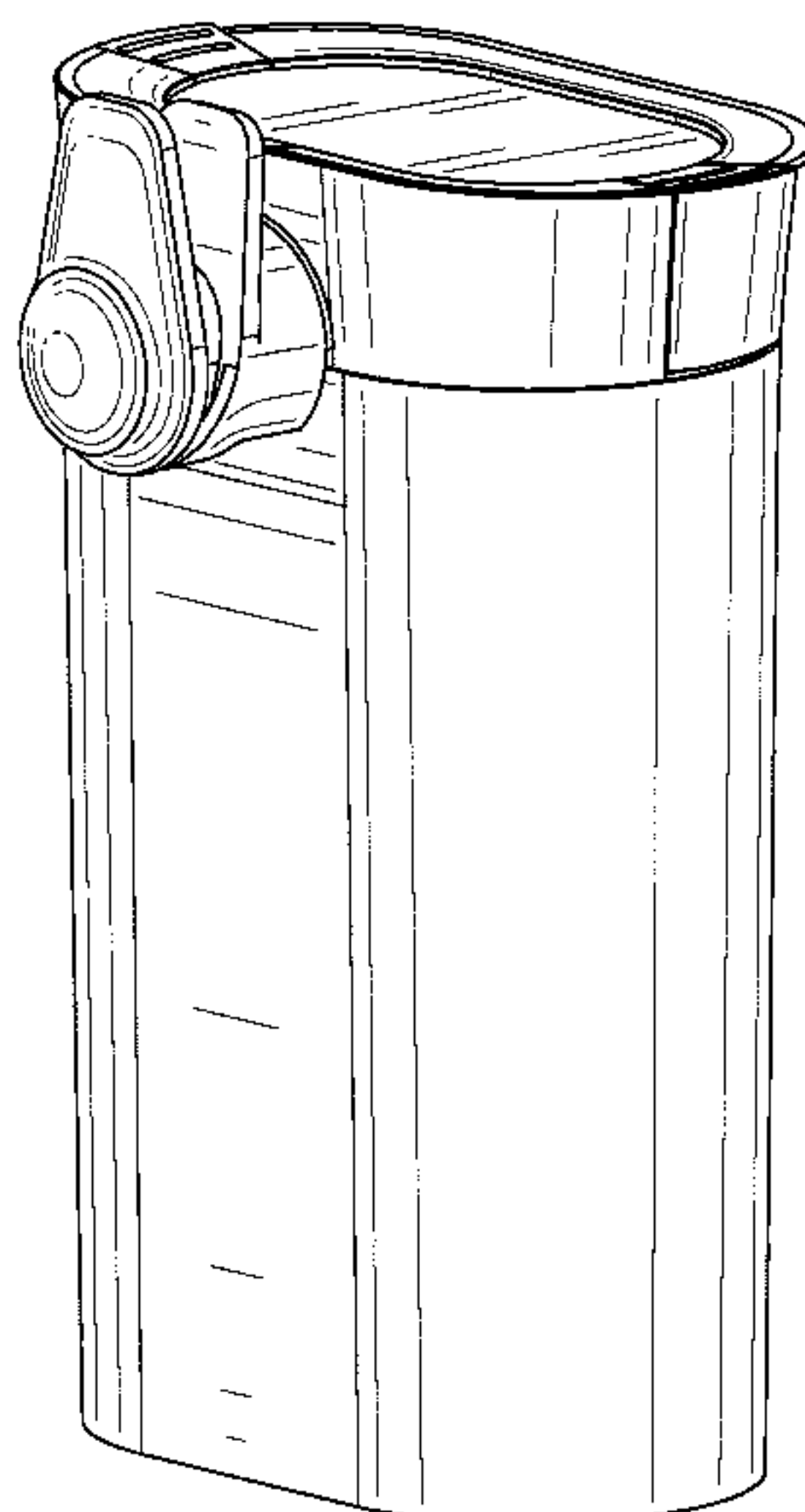
FIG. 12 is a right side view thereof;

FIG. 13 is a top plan view thereof; and,

FIG. 14 is a bottom plan view thereof.

The broken lines in the drawing depict portions of the beverage cartridge and press assembly that form no part of the claimed design.

1 Claim, 14 Drawing Sheets



(56)

References Cited

U.S. PATENT DOCUMENTS

D402,193	S	*	12/1998	Bell	D9/693
D440,867	S	*	4/2001	Dailey	D9/687
D486,347	S	*	2/2004	Meike	D7/306
D518,677	S	*	4/2006	Van Berlo	D7/306
D648,971	S	*	11/2011	Goralski	D7/300
D674,636	S	*	1/2013	Yang	D6/542
D676,701	S	*	2/2013	Chung	D7/307
D690,131	S	*	9/2013	Clough	D6/542
D696,887	S	*	1/2014	Minica	D7/306
D699,047	S	*	2/2014	Lissoni	D6/542
D701,411	S	*	3/2014	Stacks	D7/306
D711,178	S	*	8/2014	Waugh	D3/202
D718,573	S	*	12/2014	De Pra	D7/300
D727,653	S	*	4/2015	Bjerre-Poulsen	D6/542
D742,156	S	*	11/2015	Harris	D7/306
D763,613	S	*	8/2016	Han	D7/306

* cited by examiner

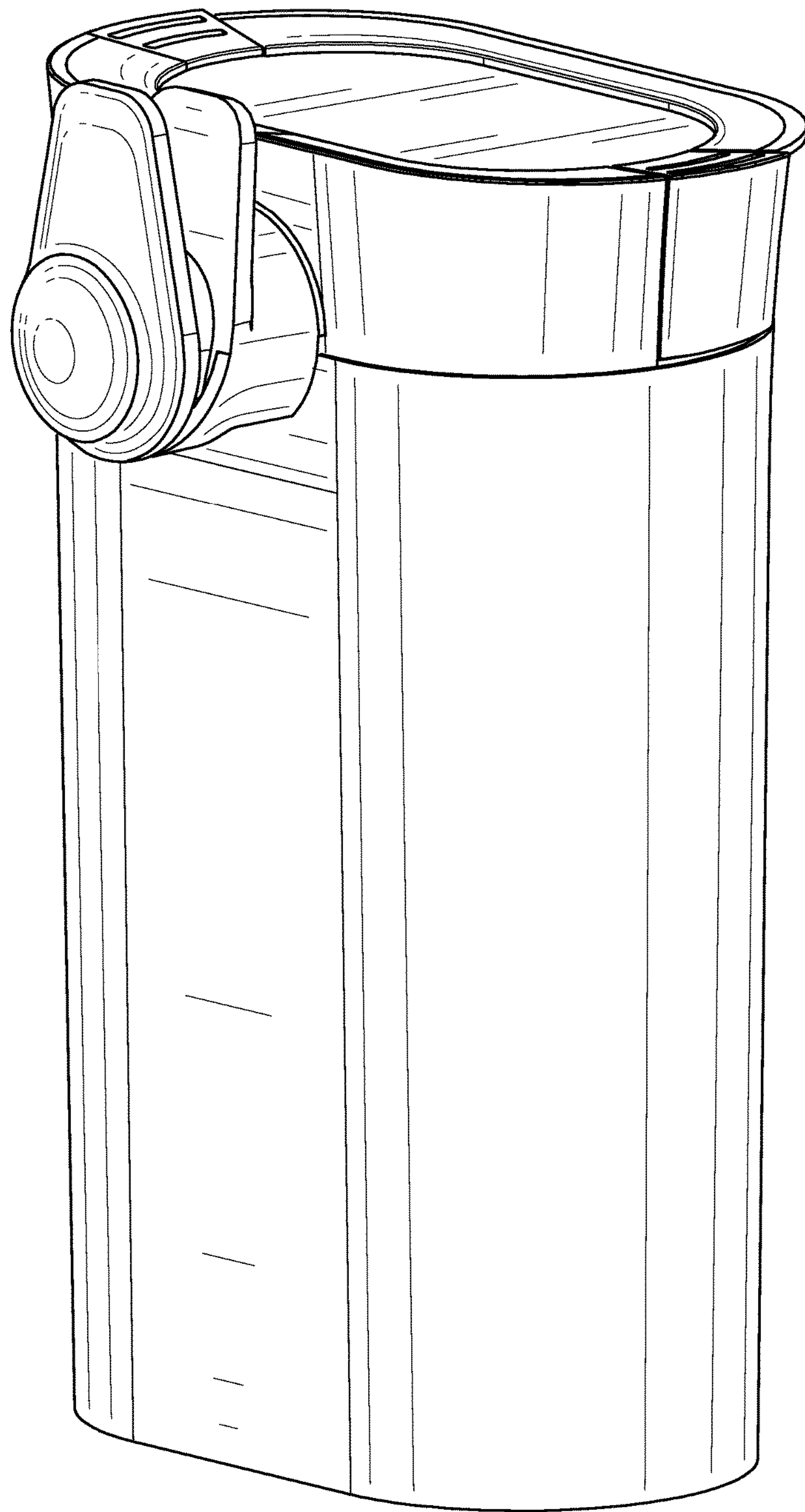


FIG. 1

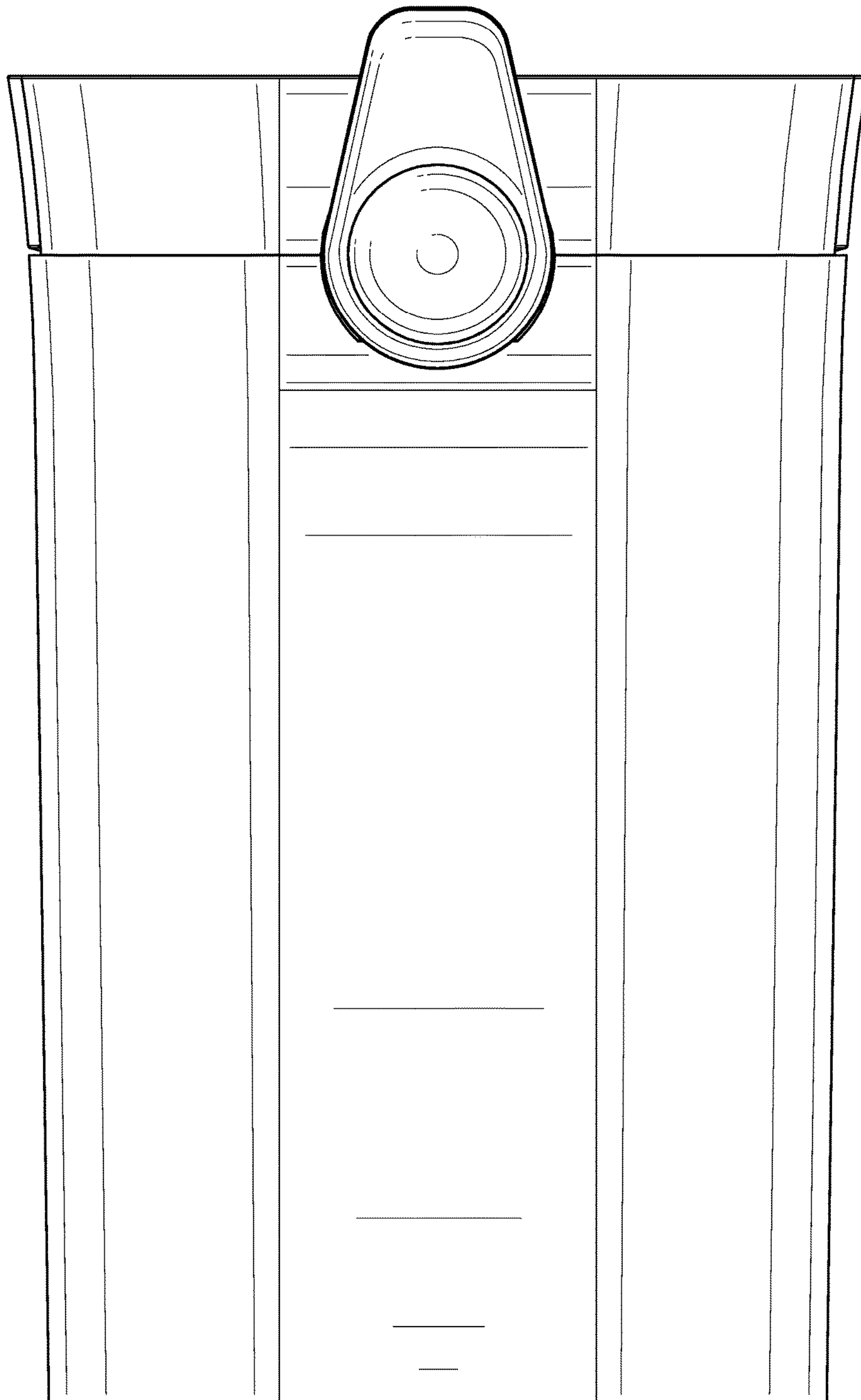


FIG. 2

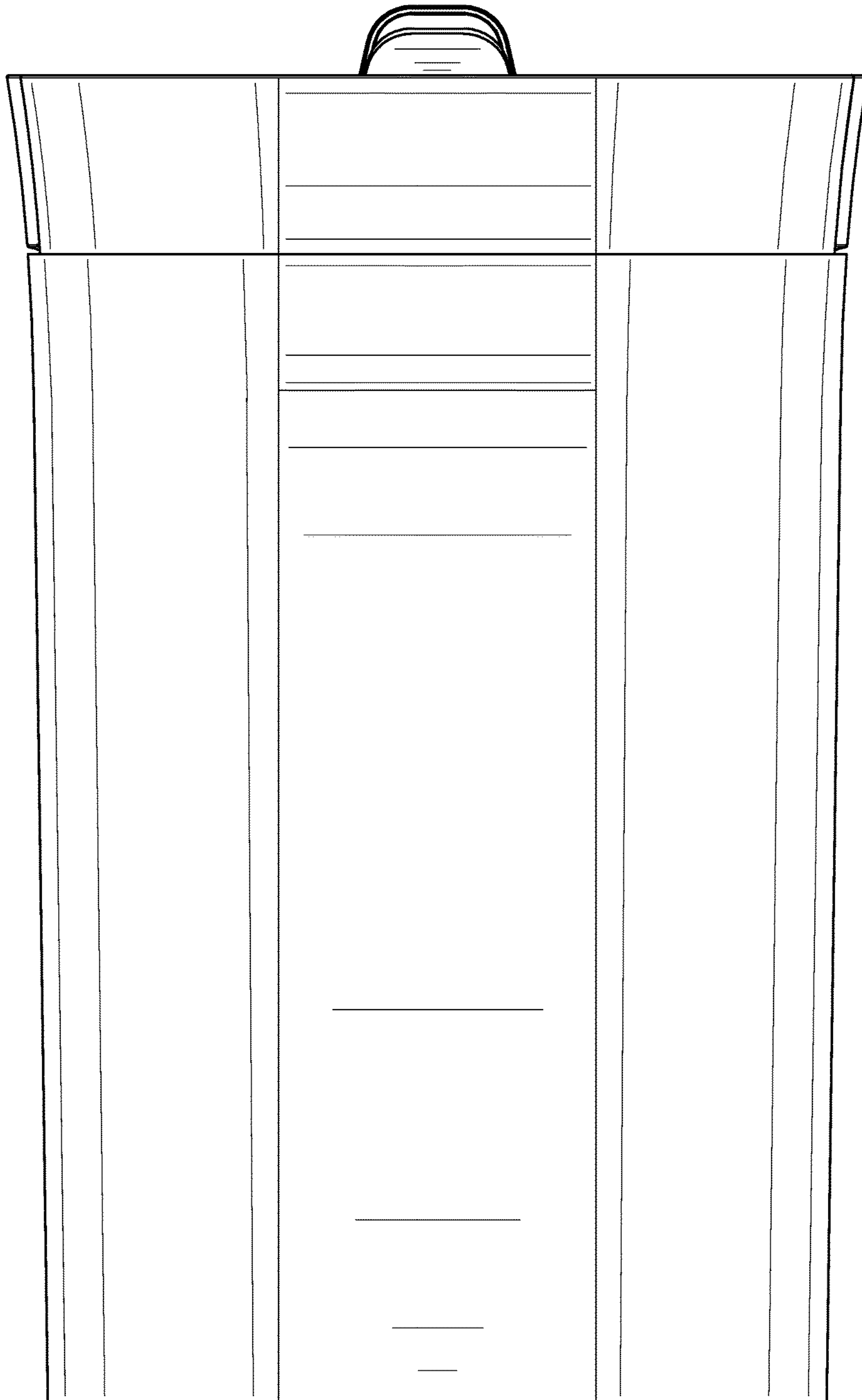


FIG. 3

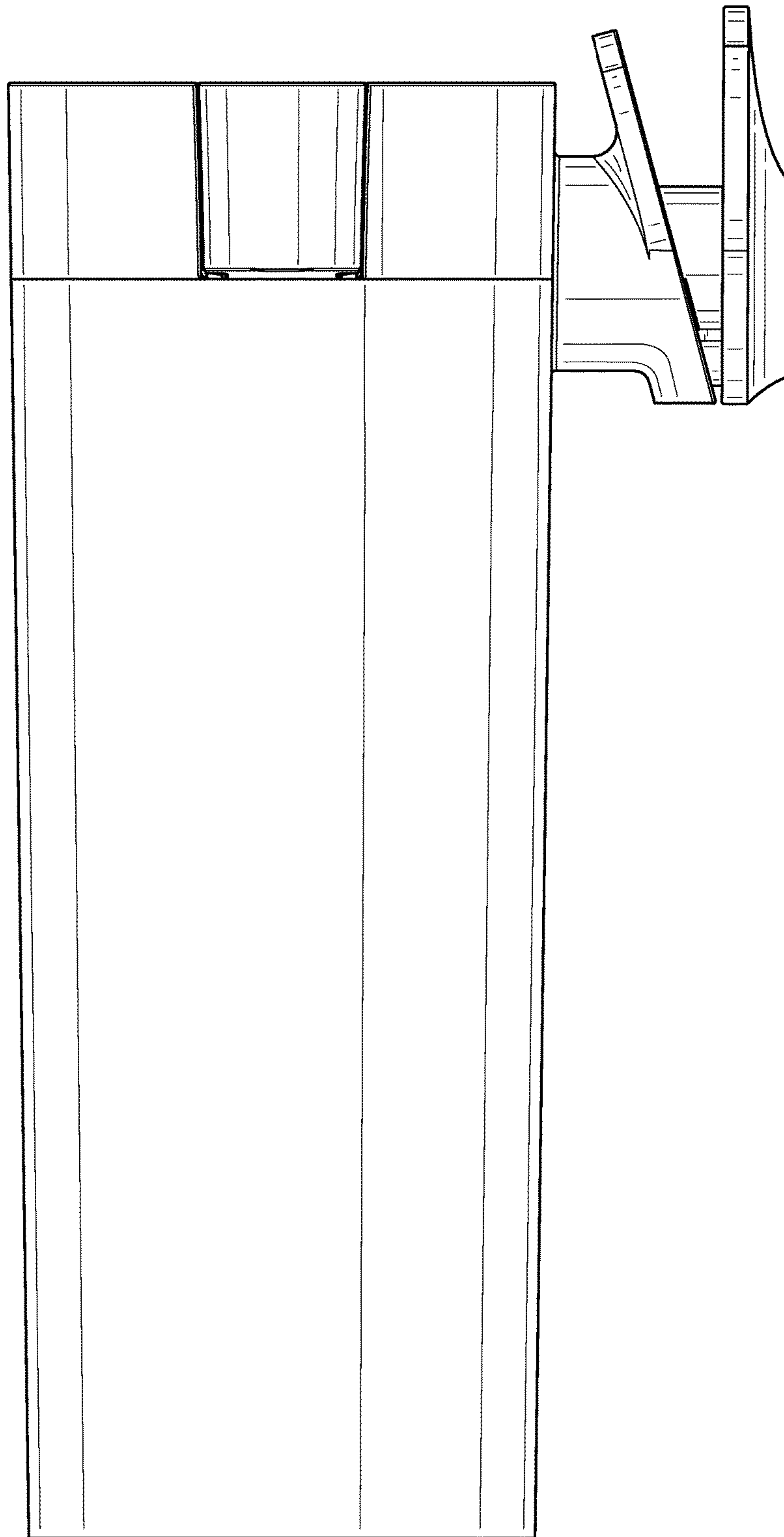


FIG. 4

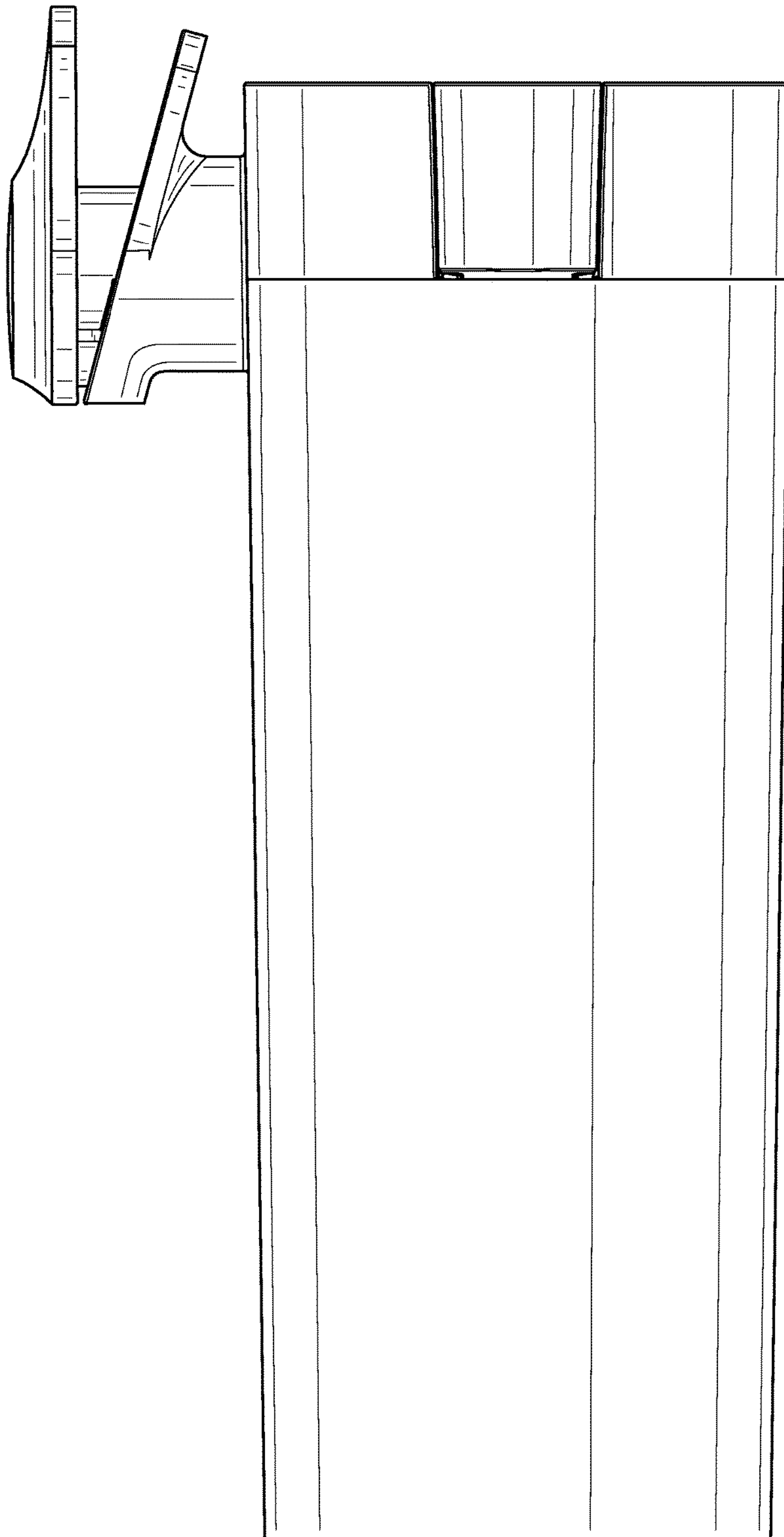


FIG. 5

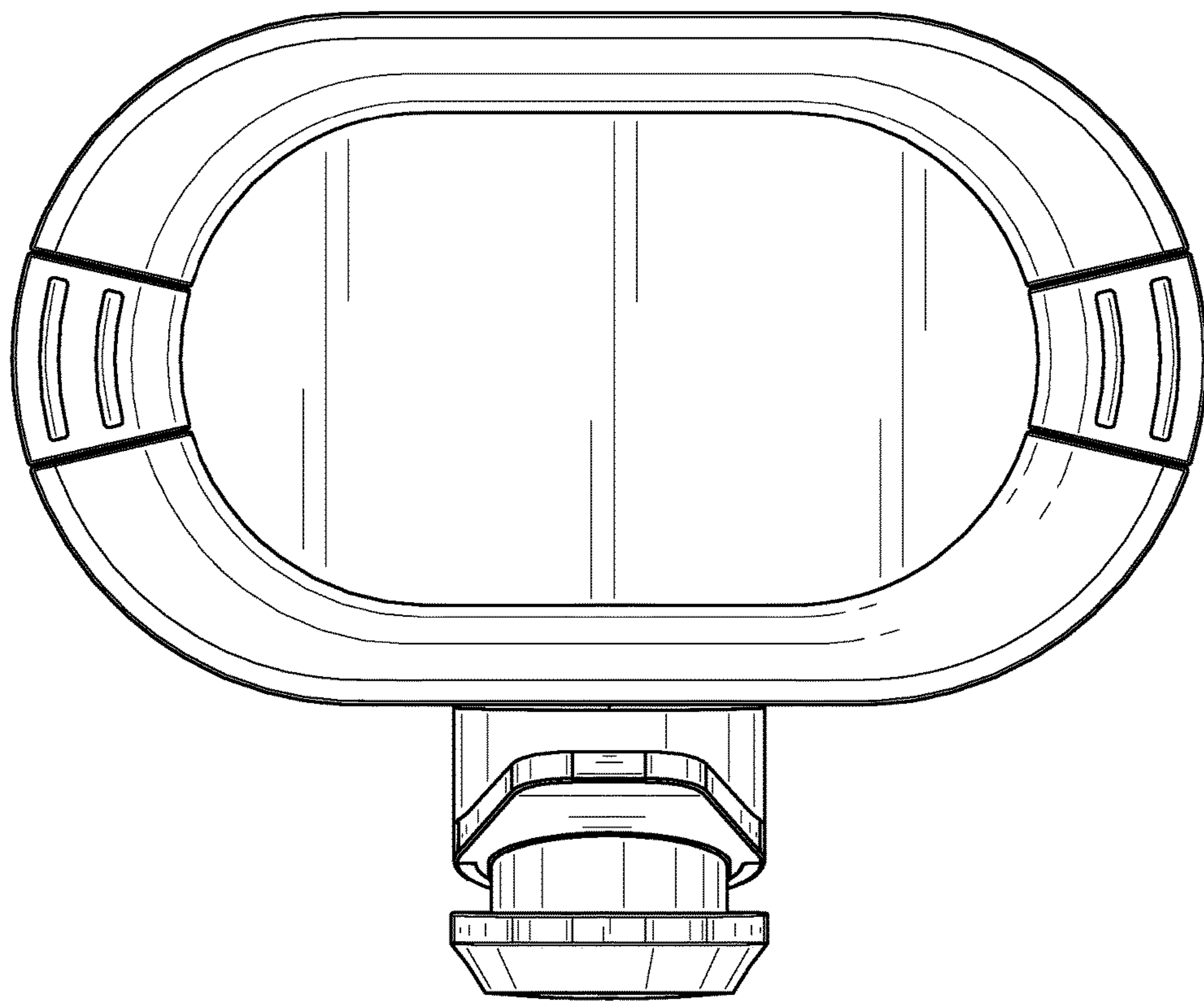


FIG. 6

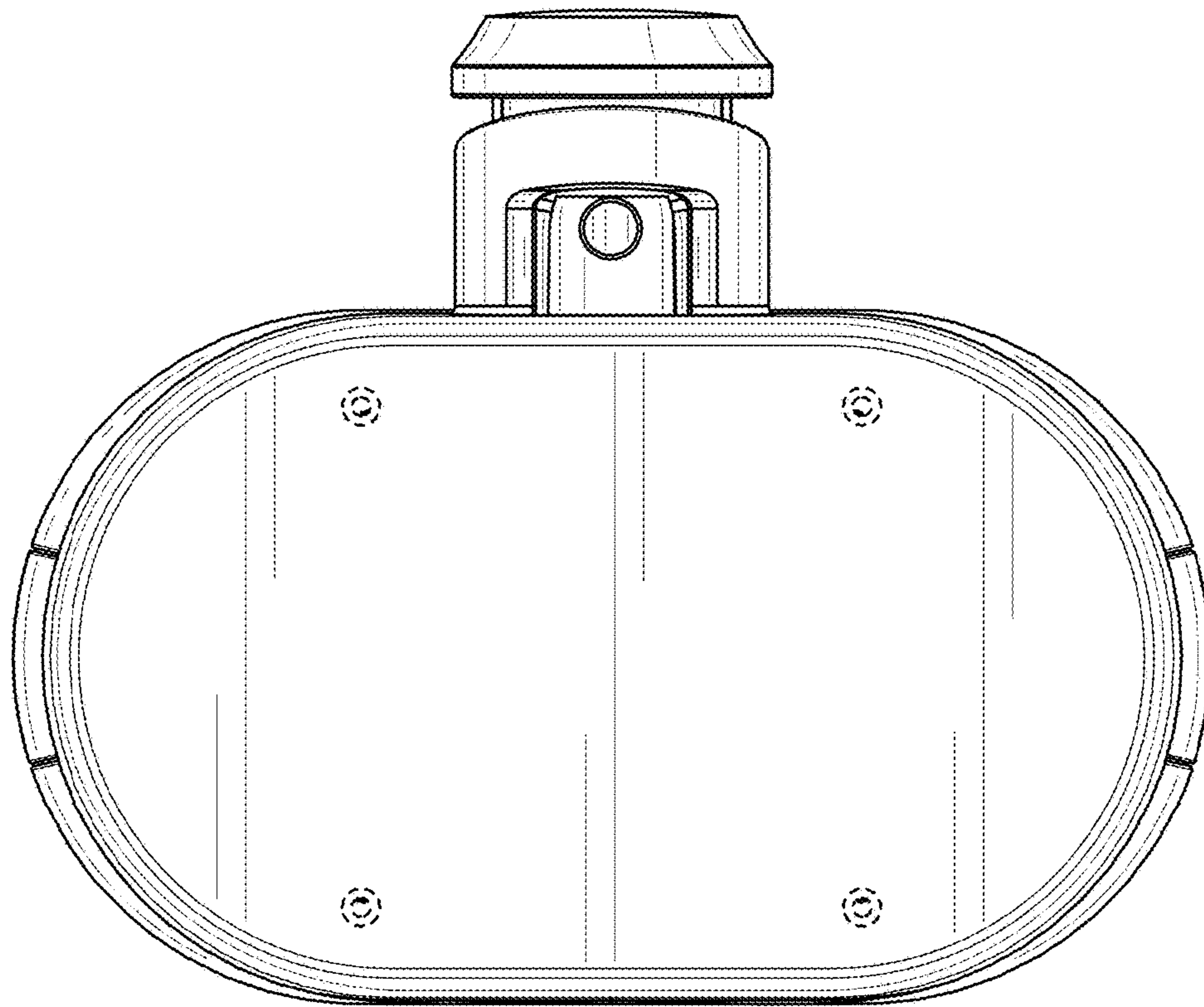


FIG. 7

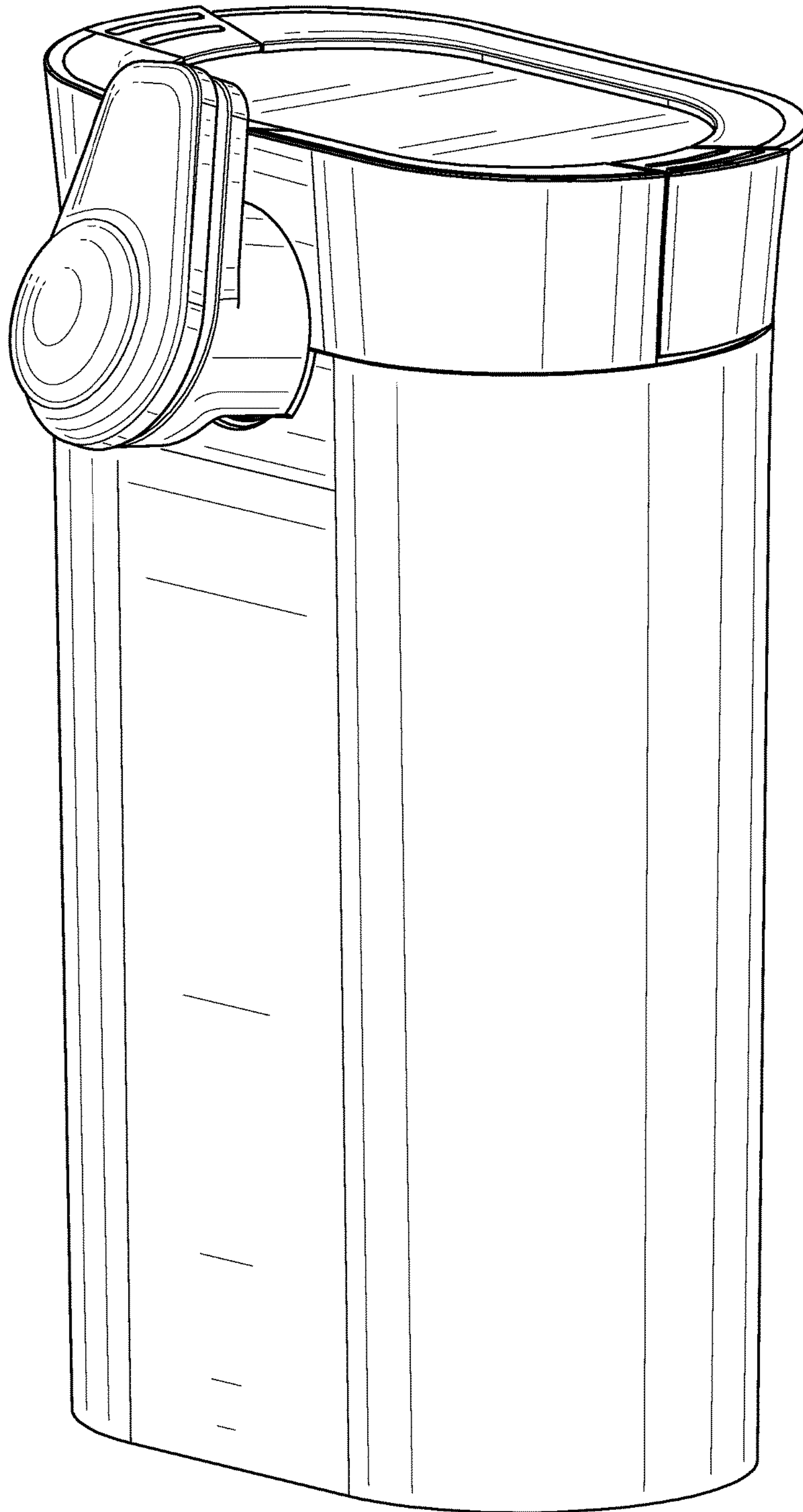


FIG. 8

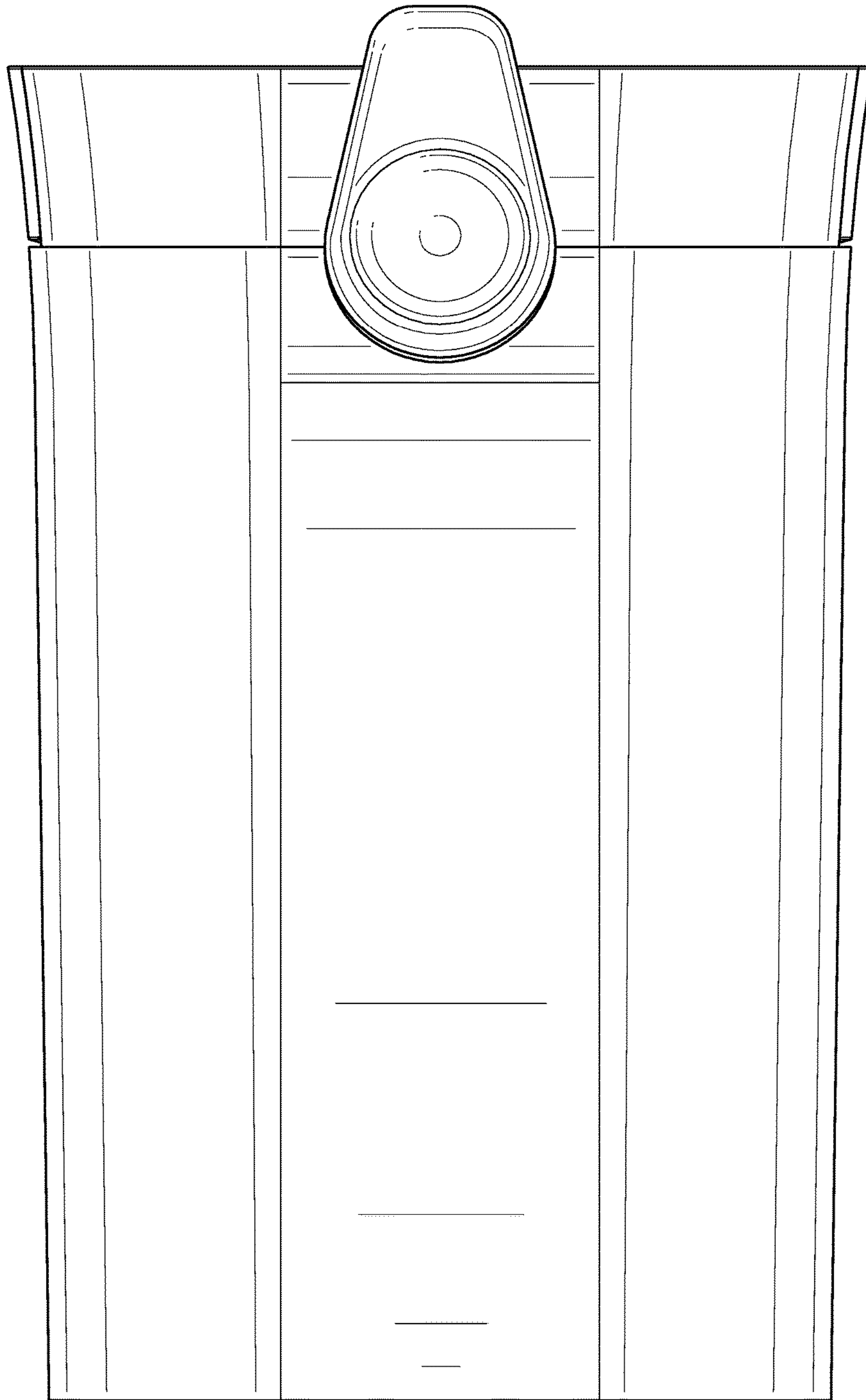


FIG. 9

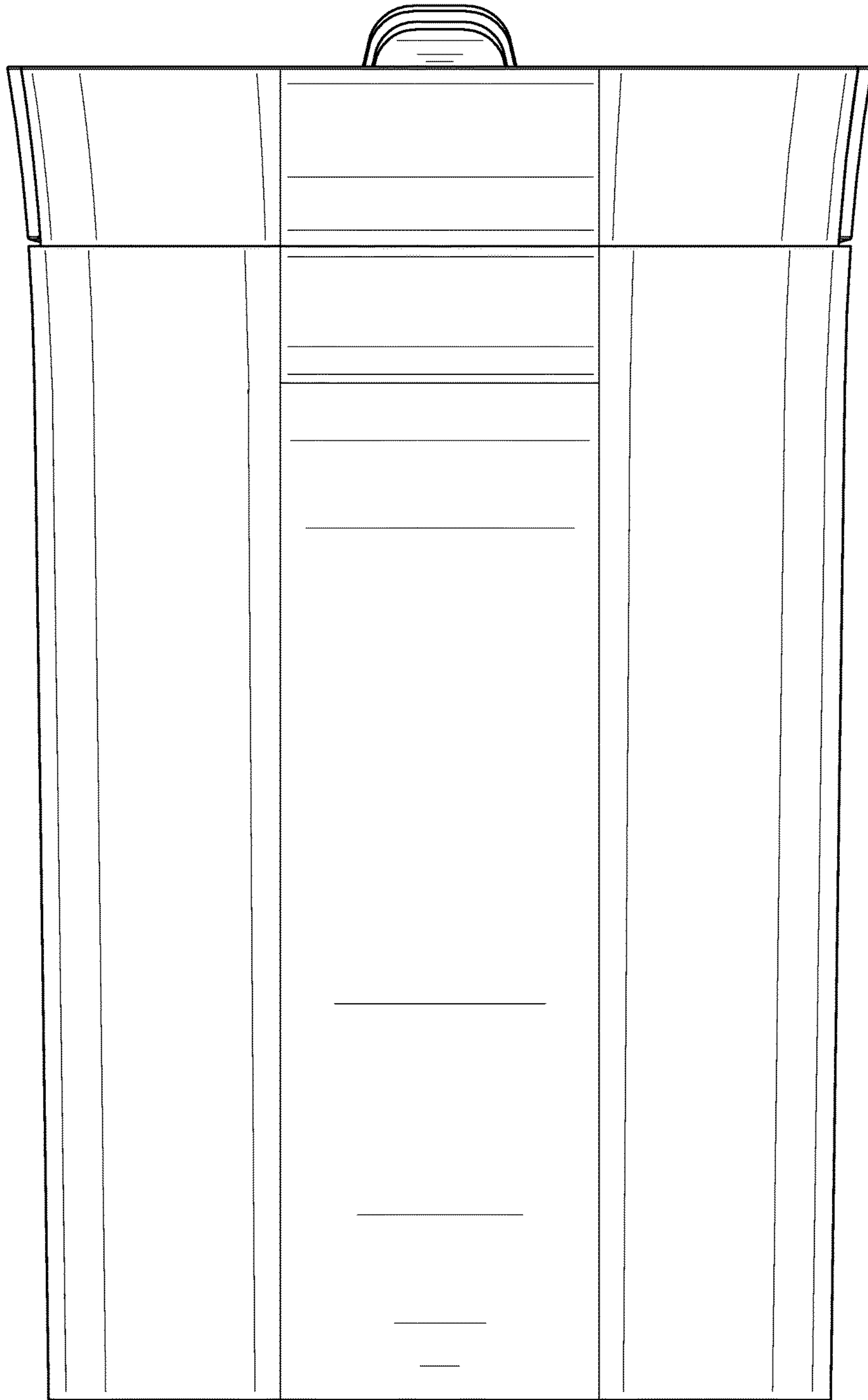


FIG. 10

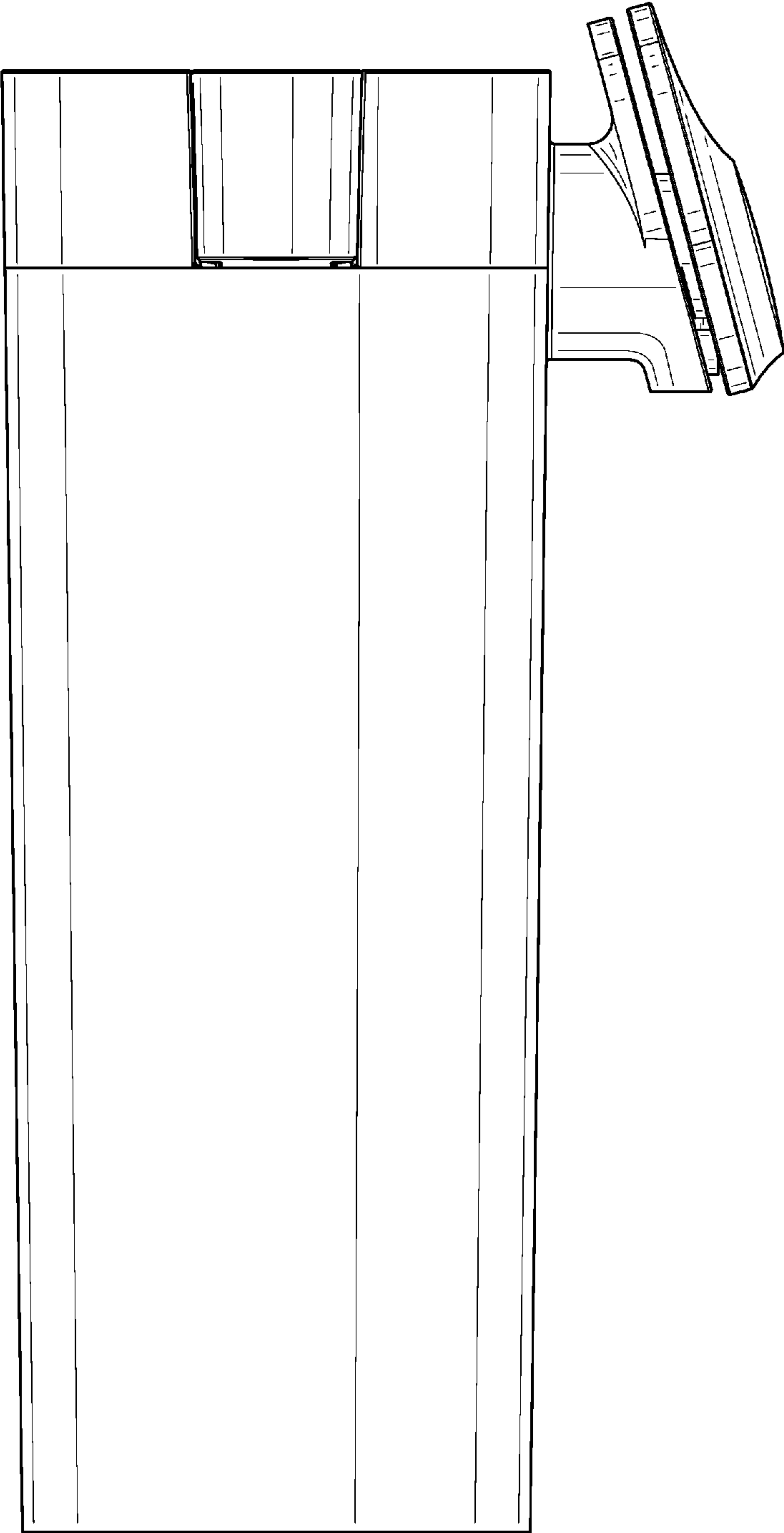


FIG. 11

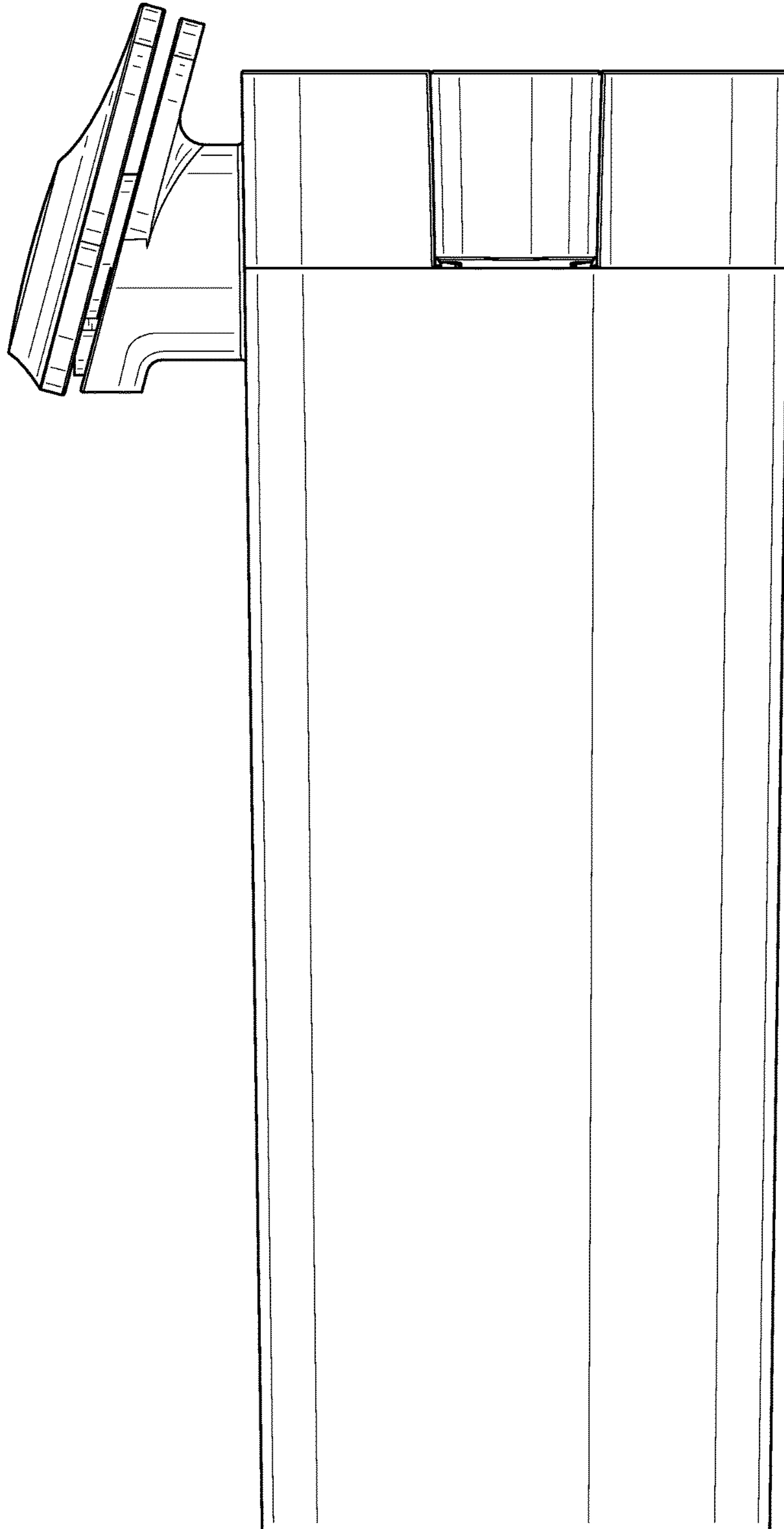


FIG. 12

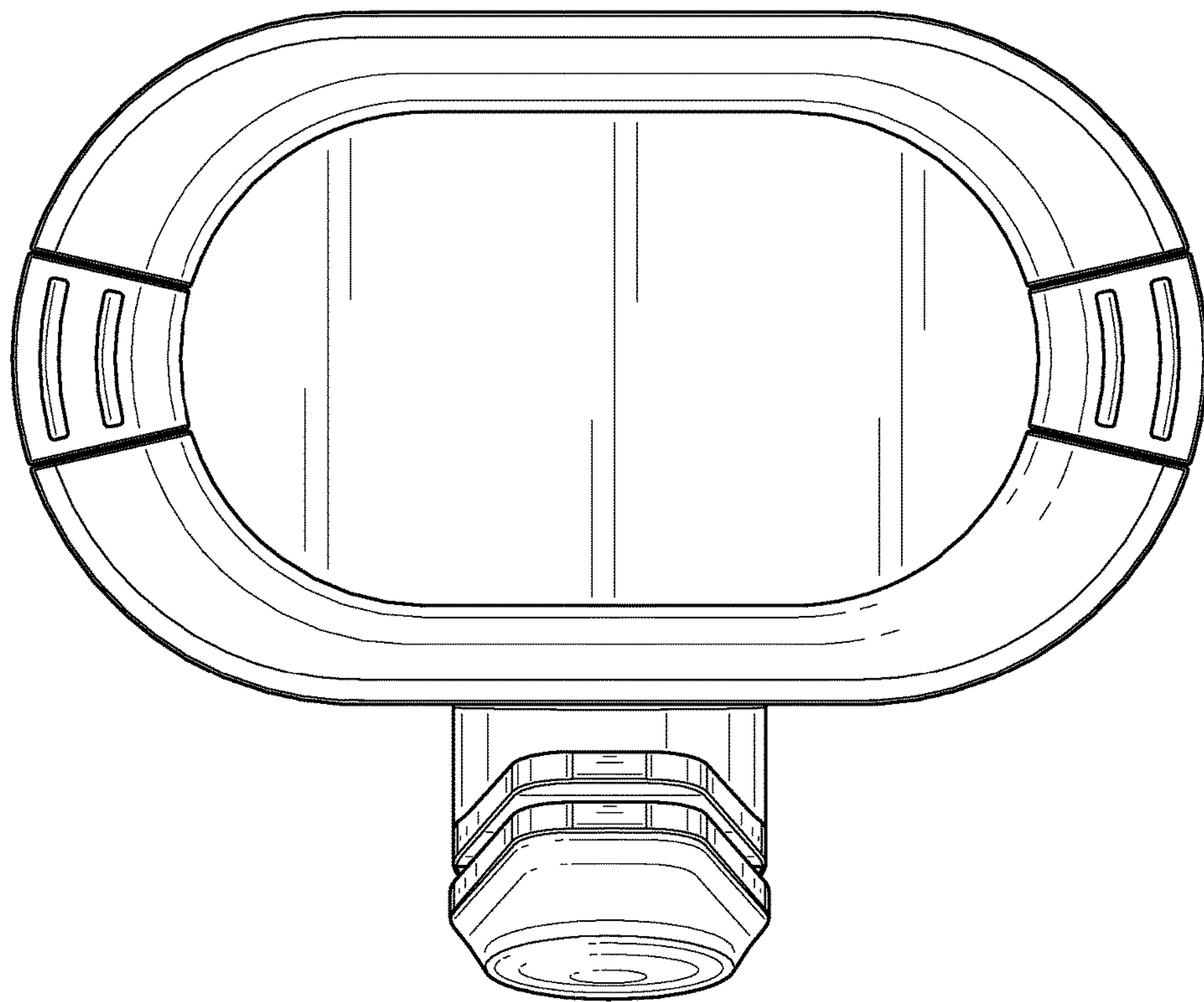


FIG. 13

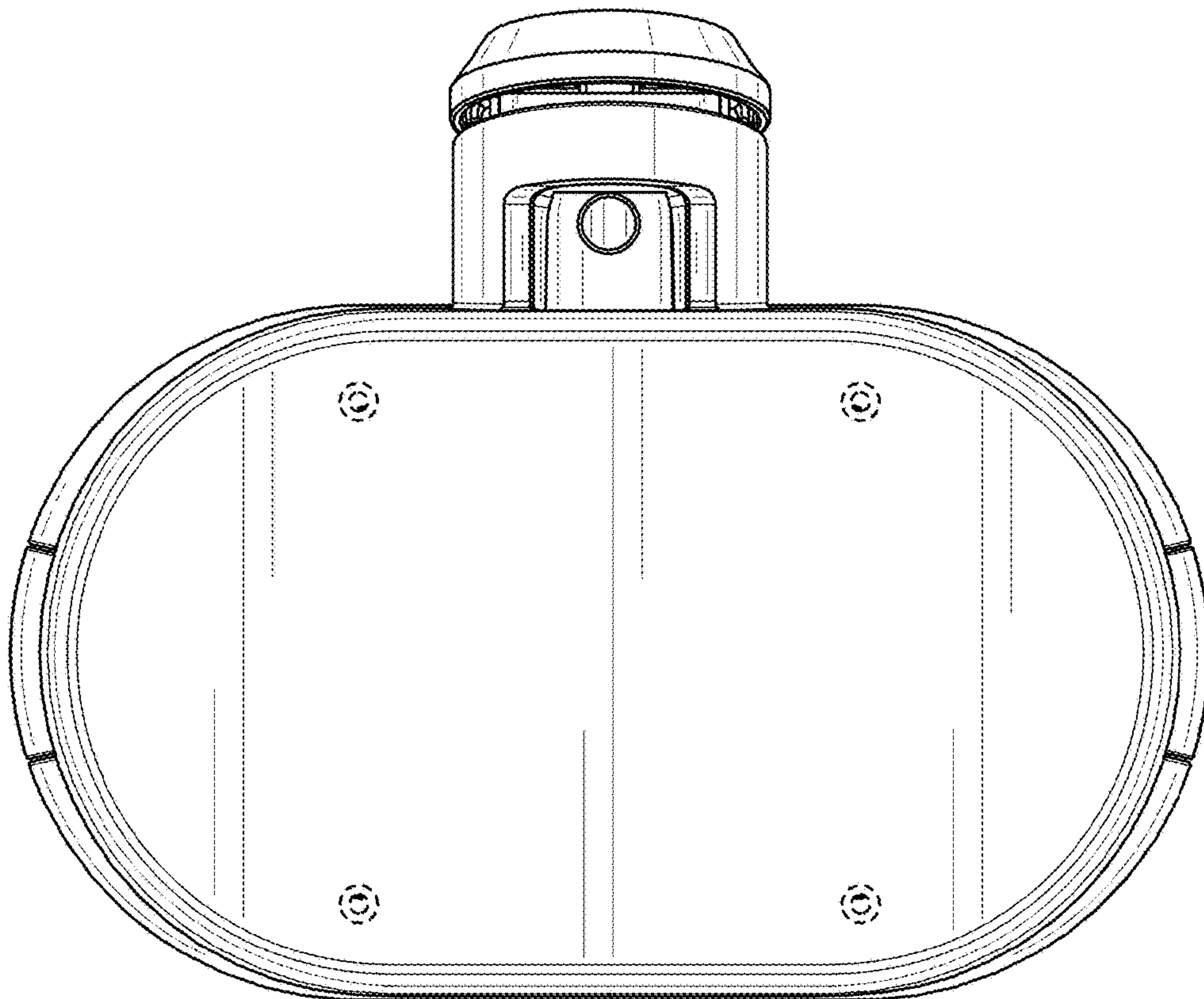


FIG. 14