



US00D795625S

(12) **United States Design Patent**  
**Trinder, II**

(10) **Patent No.:** **US D795,625 S**  
(45) **Date of Patent:** **\*\* Aug. 29, 2017**

(54) **HOSPITAL BED SIDE RAIL COVER**

(71) Applicant: **EOS Surfaces, LLC**, Norfolk, VA (US)

(72) Inventor: **Kenneth G Trinder, II**, Norfolk, VA (US)

(73) Assignee: **EOS SURFACES, LLC**, Norfolk, VA (US)

(\*\*) Term: **15 Years**

(21) Appl. No.: **29/562,333**

(22) Filed: **Apr. 25, 2016**

(51) **LOC (10) Cl.** ..... **06-06**

(52) **U.S. Cl.**  
USPC ..... **D6/718.3**

(58) **Field of Classification Search**  
USPC ..... D6/718, 718.3, 719, 390, 391, 702,  
D6/716.2, 610; D24/184; D25/41.1  
CPC ... A61G 7/0507; A61G 7/0513; A61G 7/0518  
See application file for complete search history.

(56) **References Cited**

**U.S. PATENT DOCUMENTS**

D278,012 S *	3/1985	Doerner	.....	D6/610
5,478,137 A *	12/1995	Olson	.....	A47C 7/546
				297/227
7,980,581 B2 *	7/2011	Buckner	.....	B62J 27/00
				280/304.3
D693,945 S *	11/2013	Cordovana	.....	D25/126
D759,993 S *	6/2016	Stinson	.....	D6/610
2017/0013969 A1 *	1/2017	Trinder, II	.....	A61G 7/0507

**OTHER PUBLICATIONS**

Hospital Bedrail Cover, "Sentara is Conquering Infections with Copper," Health Journal, by Brandy Centolanza, approximate date

early Jun. 2017, site visited Jun. 27, 2017, available online <URL:http://www.thehealthjournals.com/conquering-infections-copper/>.\*

\* cited by examiner

*Primary Examiner* — Cathron Brooks

(74) *Attorney, Agent, or Firm* — Peter J. Van Bergen

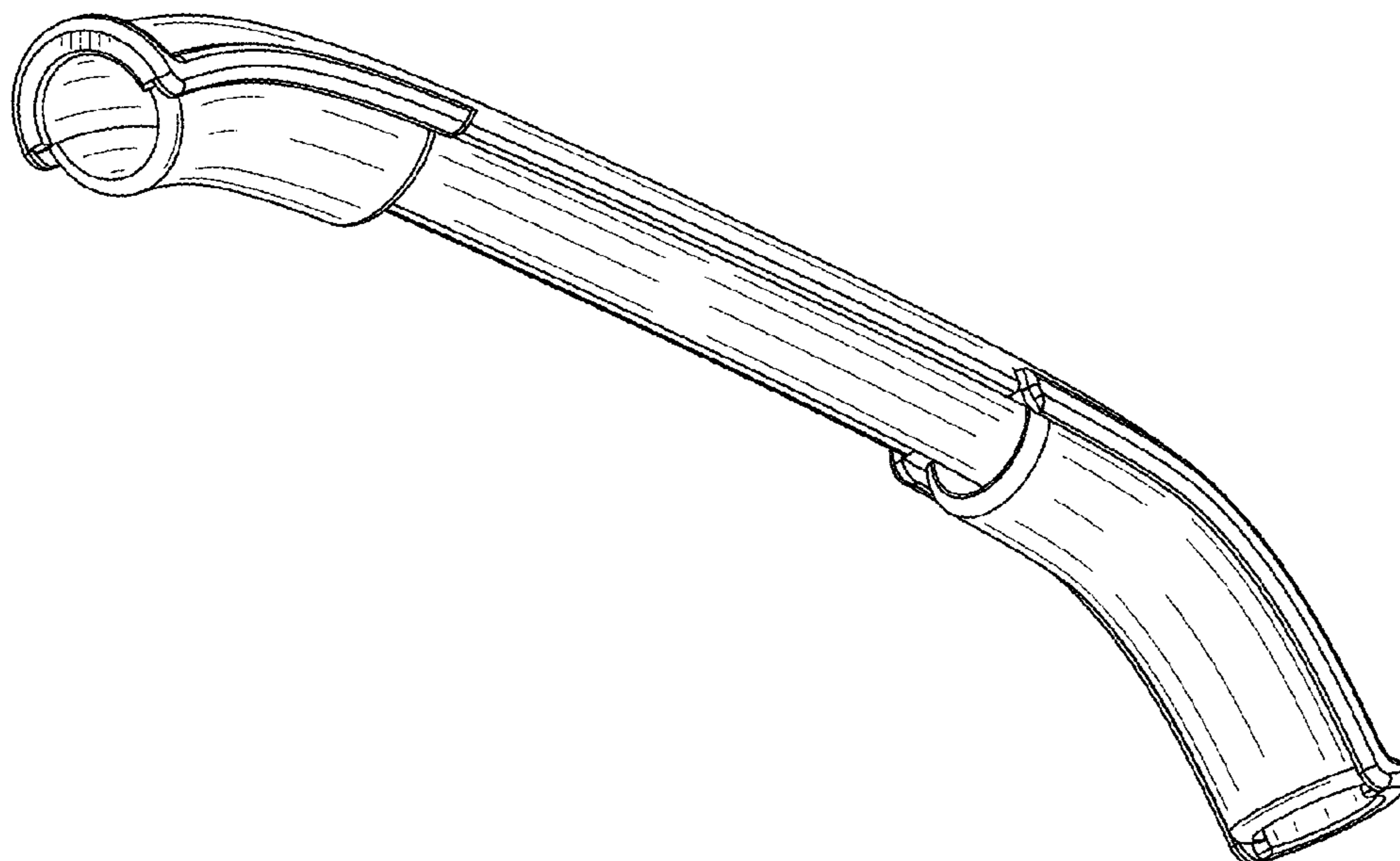
(57) **CLAIM**

I claim the ornamental design for a hospital bed side rail cover, as shown and described.

**DESCRIPTION**

FIG. 1 is a top perspective view of the hospital bed side rail cover showing the new design;  
FIG. 2 is a bottom perspective view thereof;  
FIG. 3 is a top plan view thereof;  
FIG. 4 is a bottom plan view thereof;  
FIG. 5 is a right side view thereof;  
FIG. 6 is a left side view thereof;  
FIG. 7 is right end view thereof;  
FIG. 8 is a left end view thereof;  
FIG. 9 is a second top perspective view thereof, shown at a reduced scale, and in an environment of use; and,  
FIG. 10 is a third top perspective view thereof, shown at a reduced scale, and in a portion of the environment of use. Any differences in appearance of the claimed design in FIGS. 9 and 10 are solely the result of the small scale views. The broken lines in the figures illustrate environment that forms no part of the claimed design.

**1 Claim, 7 Drawing Sheets**



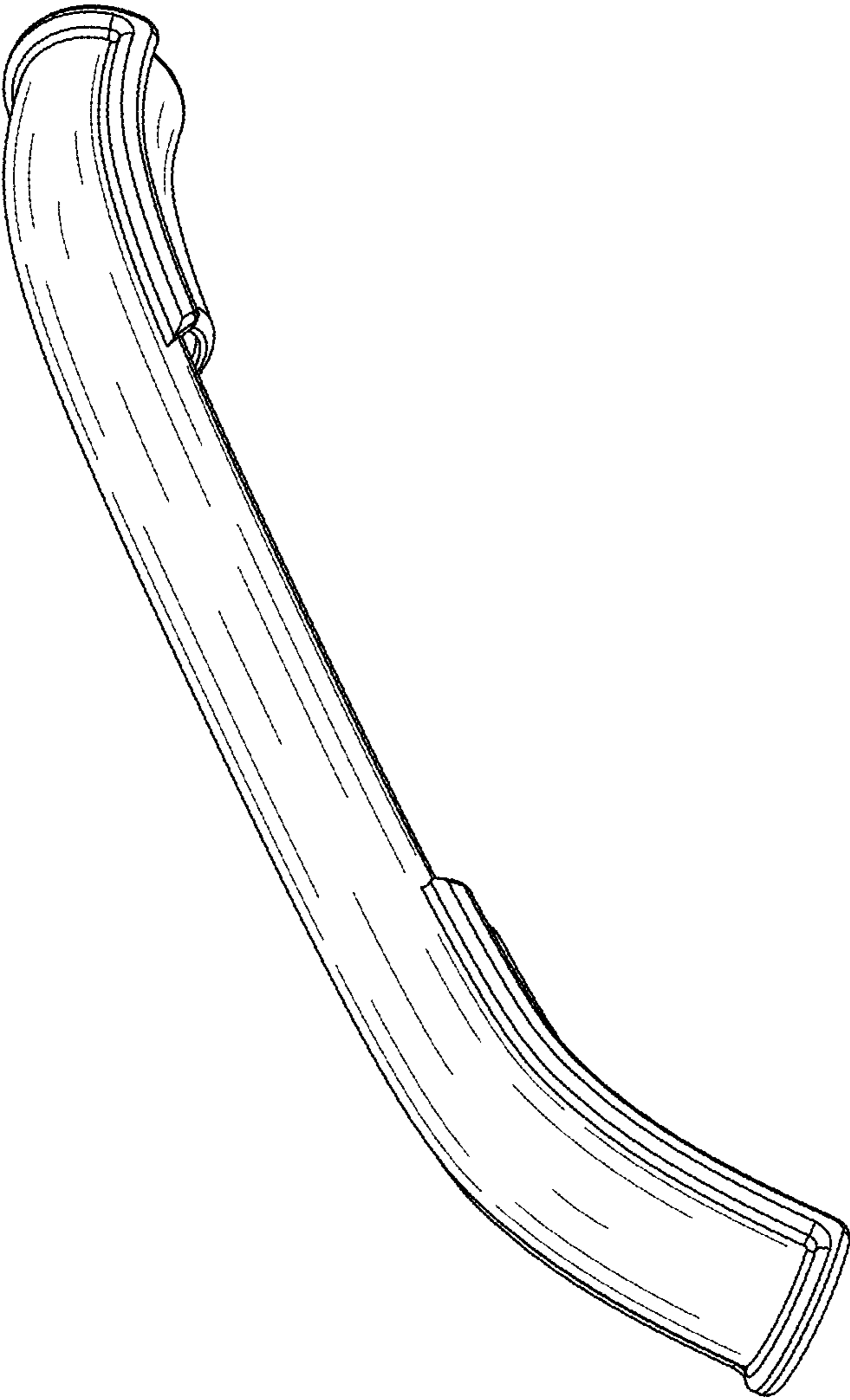


FIG. 1

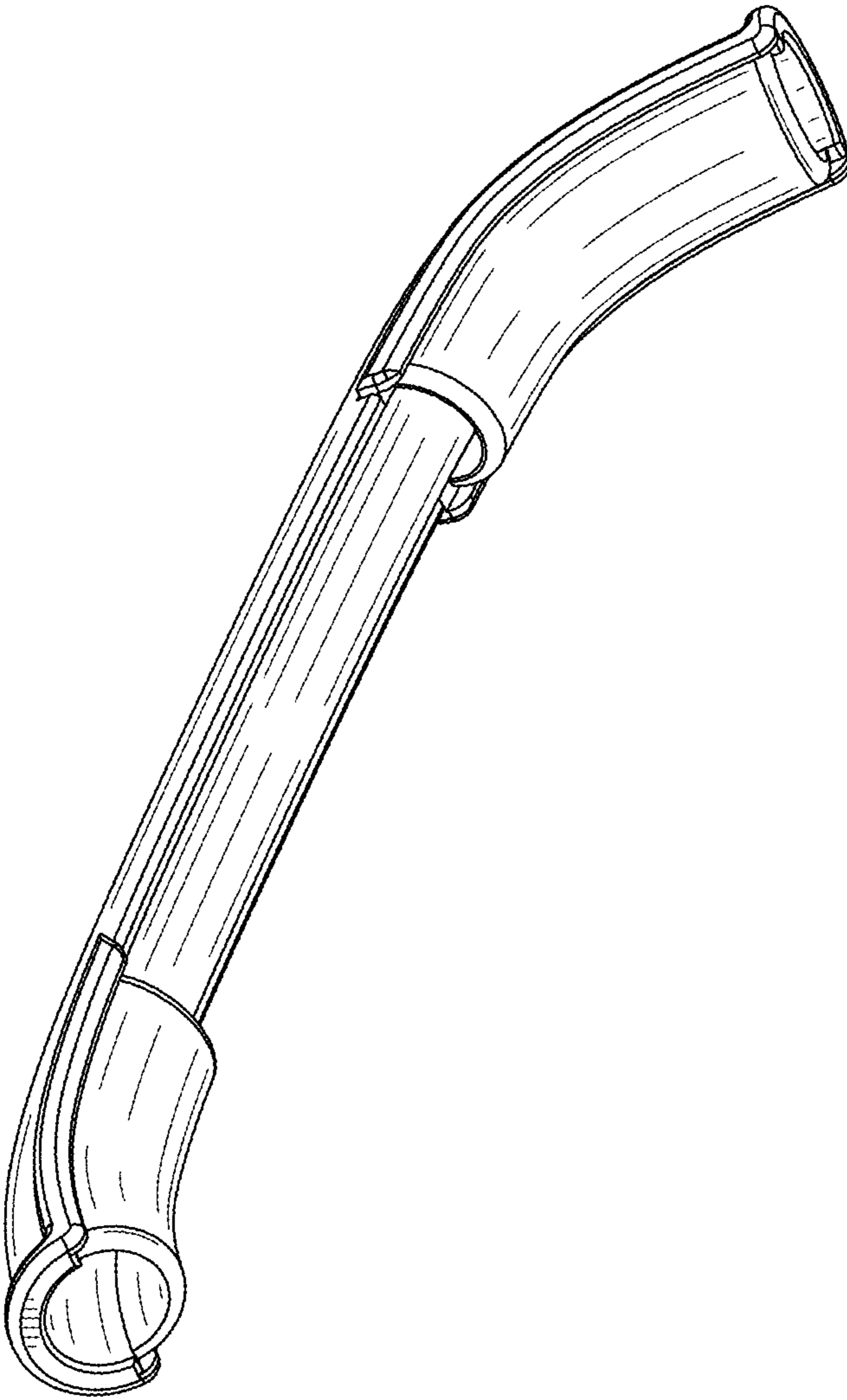


FIG. 2

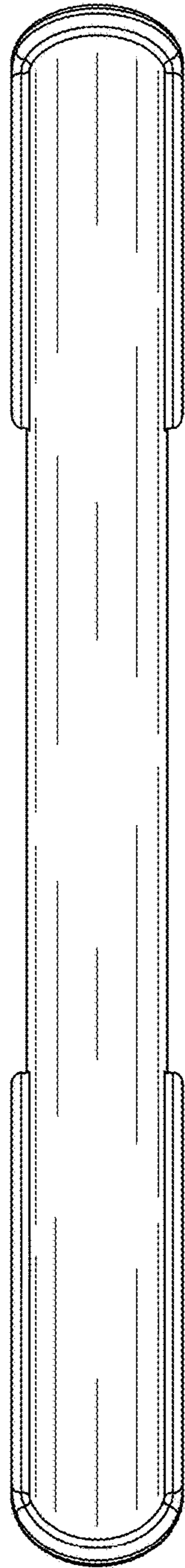


FIG. 3

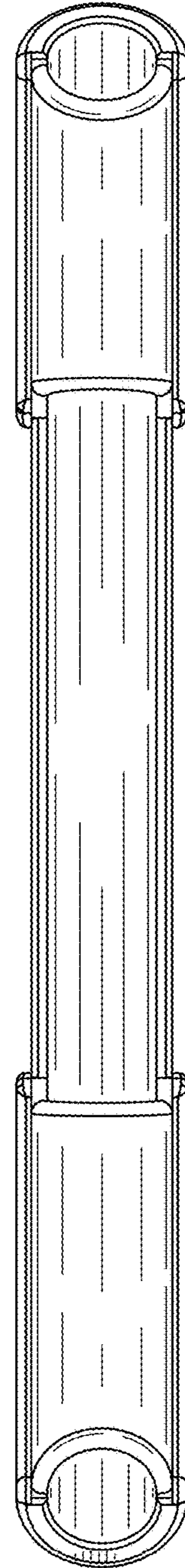


FIG. 4

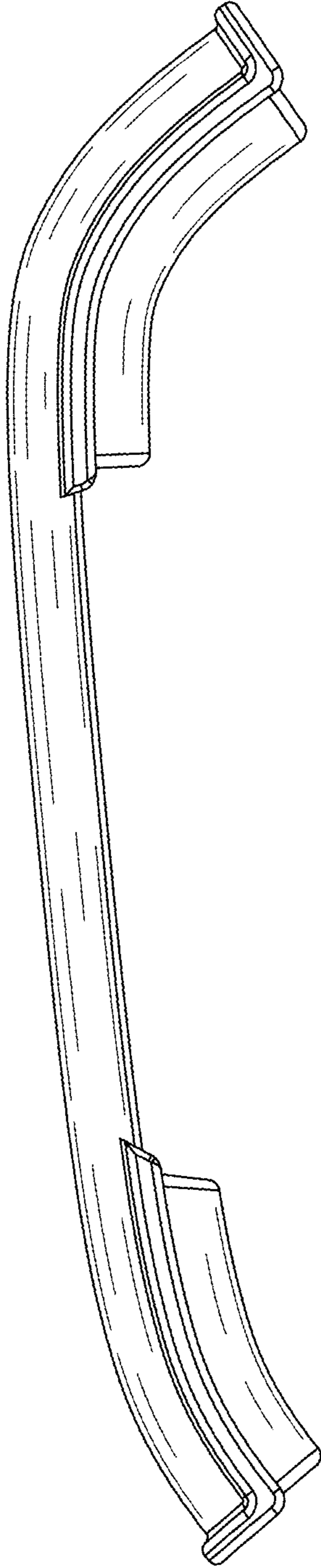


FIG. 5

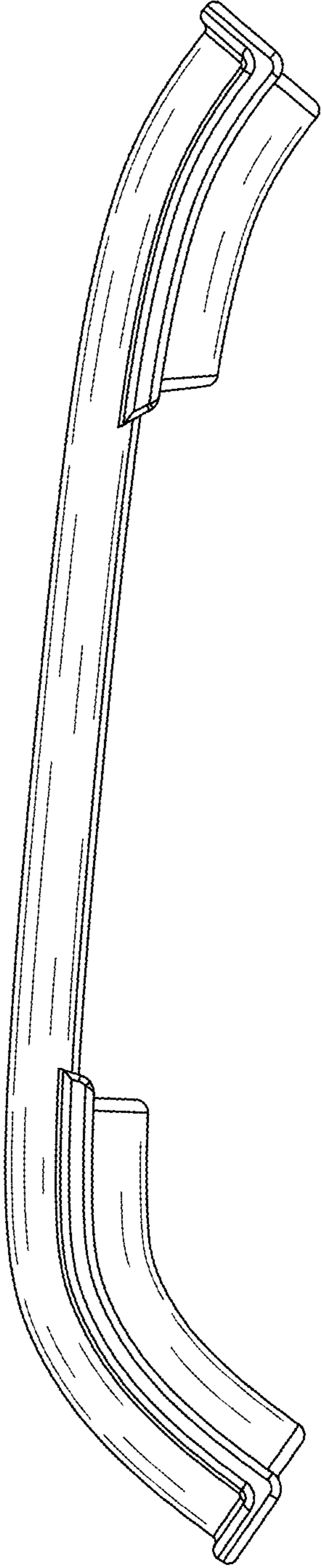


FIG. 6

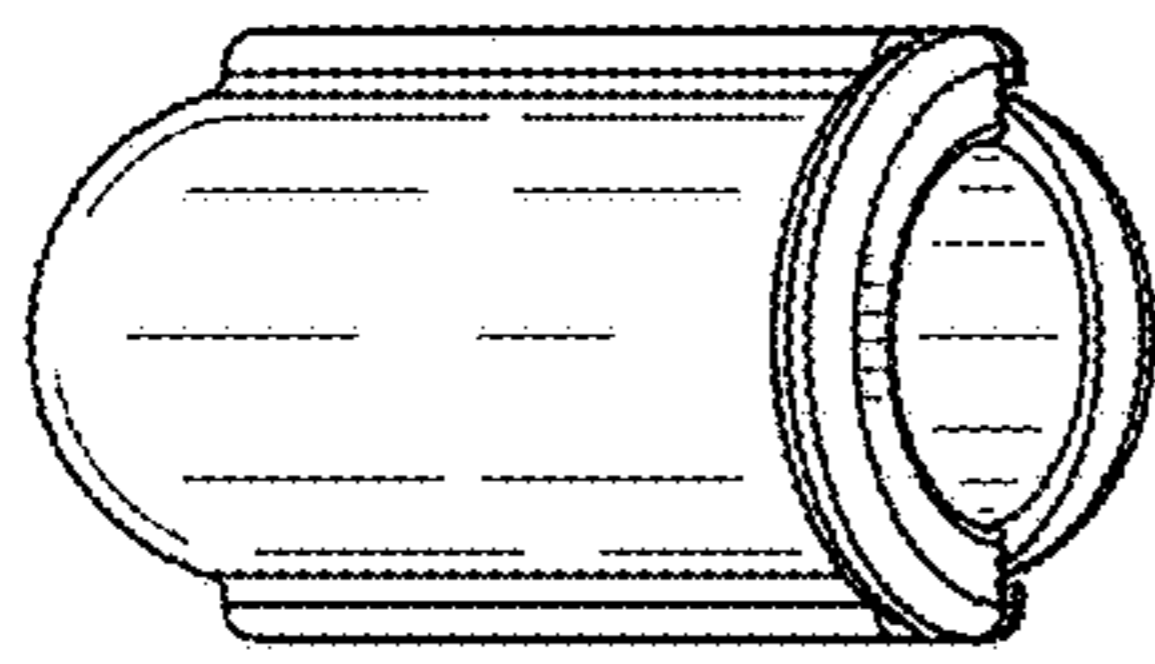


FIG. 7

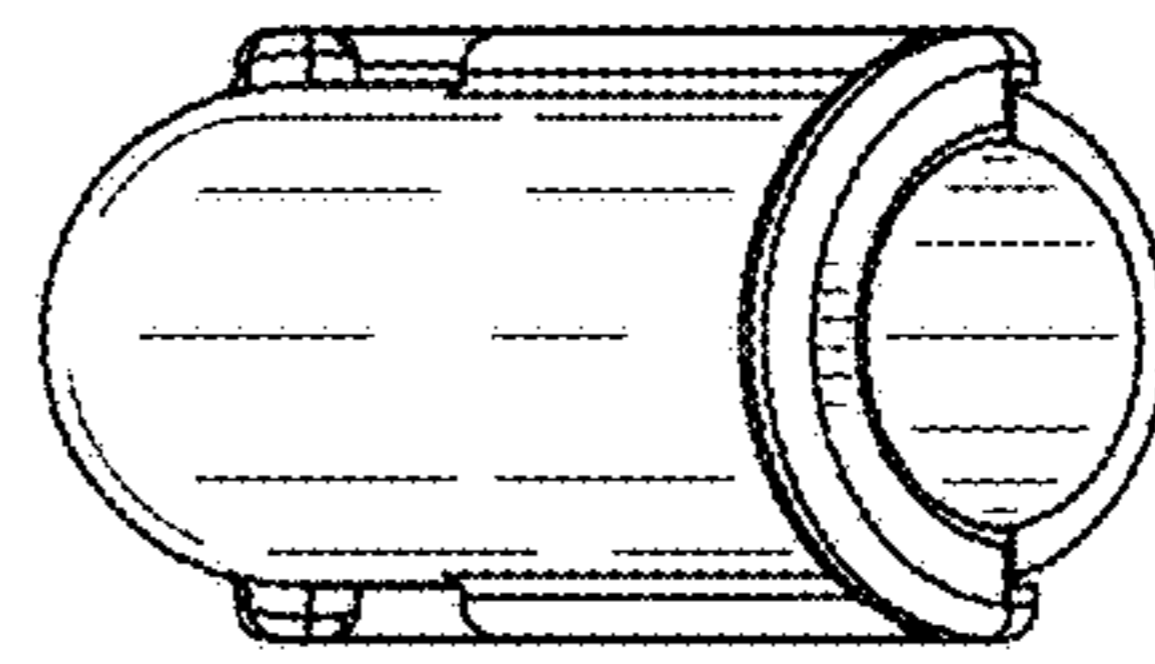


FIG. 8

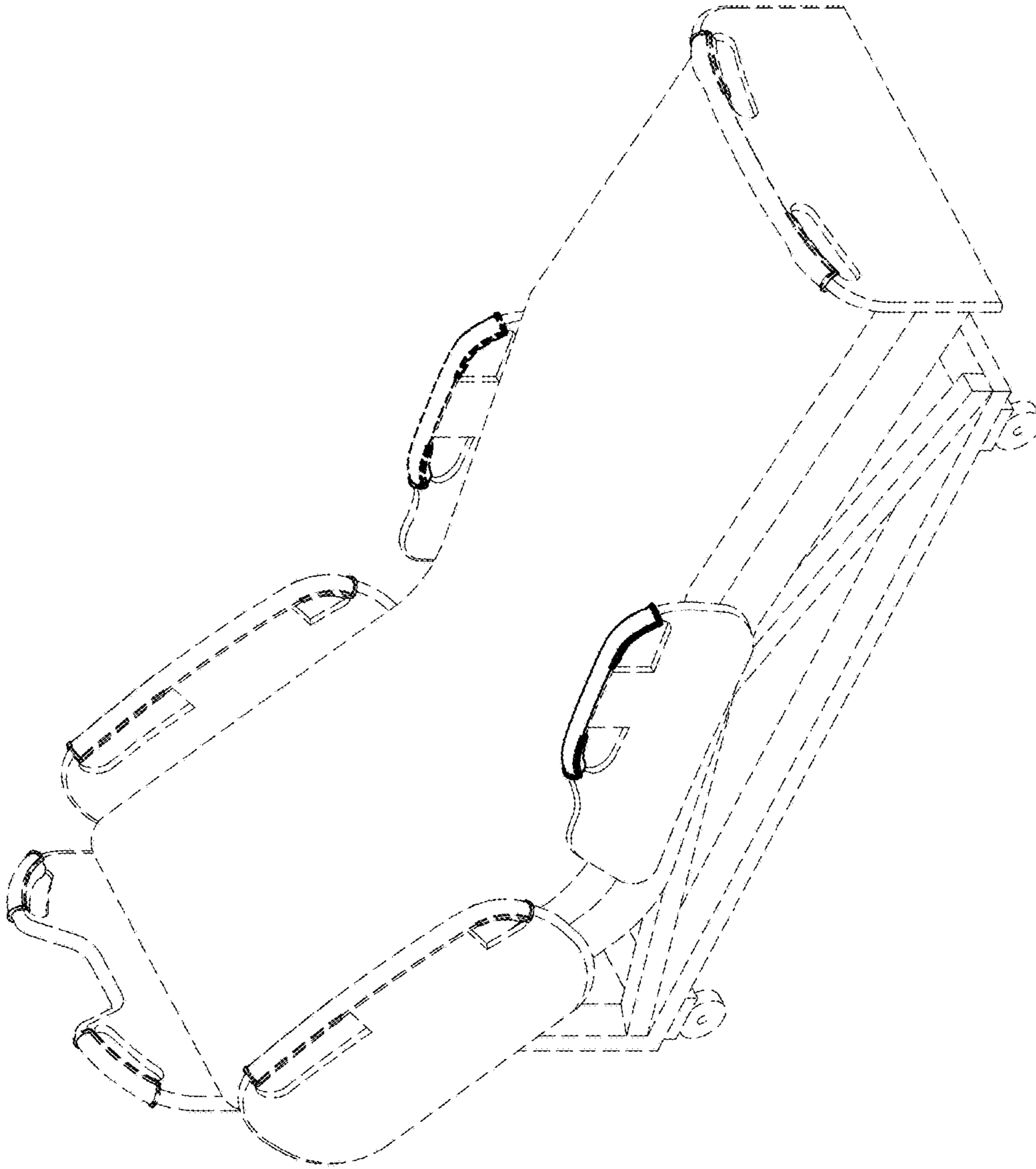


FIG. 9

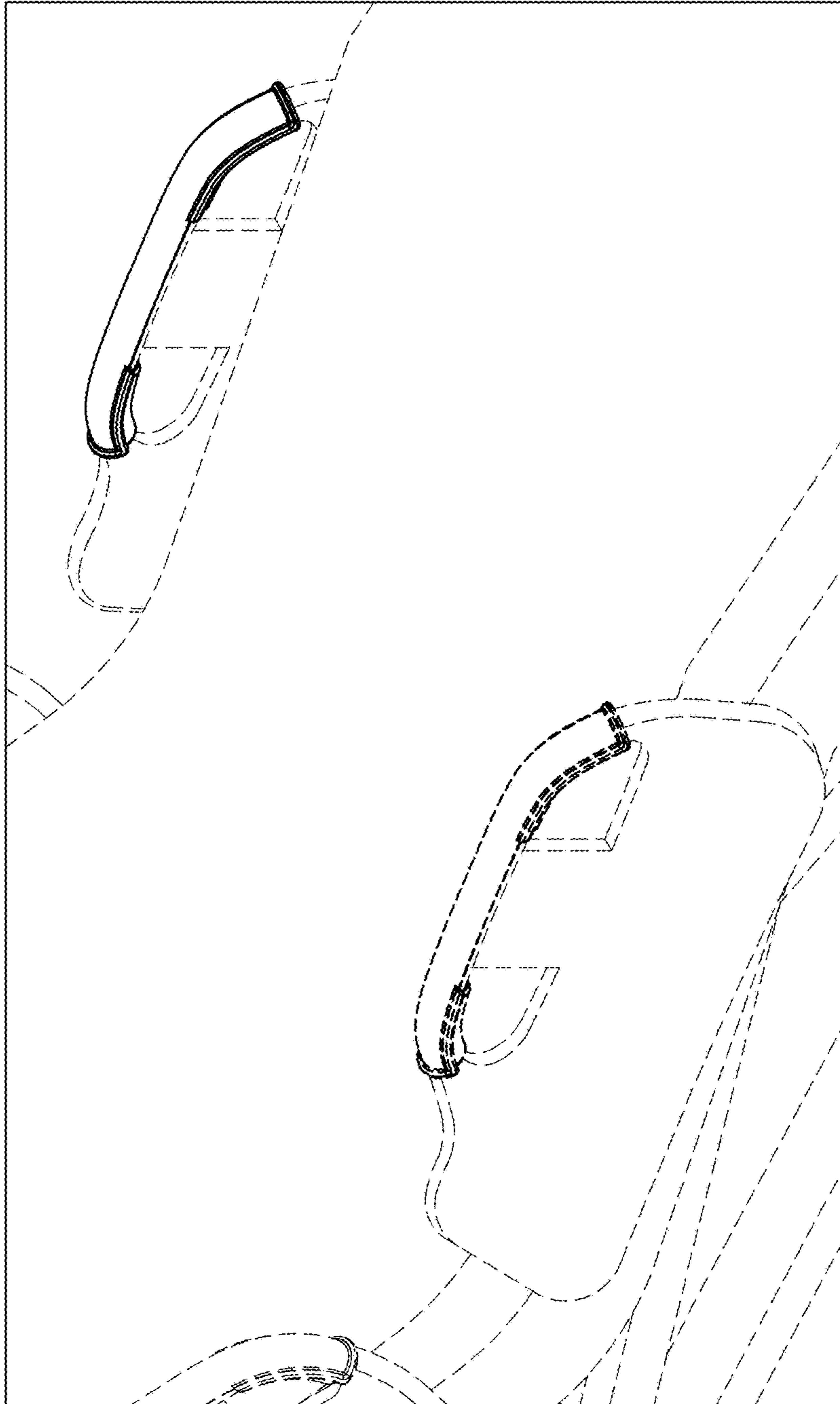


FIG. 10