



US00D795622S

(12) **United States Design Patent** (10) **Patent No.:** **US D795,622 S**
Diffrient et al. (45) **Date of Patent:** **** Aug. 29, 2017**

- (54) **CHAIR BACK**
- (71) Applicant: **Humanscale Corporation**, New York, NY (US)
- (72) Inventors: **Niels Diffrient**, New York, NY (US);
Jim Sortor, New York, NY (US);
Shaun Smith, New York, NY (US);
Mesve Vardar, New York, NY (US);
Cory Brechbill, New York, NY (US);
Jeff Theesfeld, New York, NY (US)
- (73) Assignee: **Humanscale Corporation**, New York, NY (US)
- (**) Term: **15 Years**
- (21) Appl. No.: **29/567,412**
- (22) Filed: **Jun. 8, 2016**
- (51) **LOC (10) Cl.** **06-01**
- (52) **U.S. Cl.**
USPC **D6/716.4**
- (58) **Field of Classification Search**
USPC D6/334-336, 366, 367, 374, 379, 380,
D6/716, 716.1, 716.2, 716.4
CPC A47C 7/40; A47C 7/44; A47C 7/46; A47C
7/022; A47C 7/282; A47C 7/285
See application file for complete search history.

- D679,107 S * 4/2013 Darrow D6/366
- 8,449,037 B2 * 5/2013 Behar A47C 7/40
297/284.2
- D703,457 S * 4/2014 Plikat D6/366
- D713,664 S * 9/2014 Vetter D6/716
- D723,851 S * 3/2015 Plikat D6/366
- D772,592 S * 11/2016 Su D6/366
- D775,847 S * 1/2017 Wagner D6/366
- D777,494 S * 1/2017 Prestwich D6/716.4

OTHER PUBLICATIONS

Herman Miller Chair, http://decobizz.com/best/best-rated_ergonomic_office_chairs.html, known at least as early as May 27, 2016, 2 pgs.
Diffrient Smart Chair, <https://www.humanscale.com/products/product.cfm?group=DiffrientSmartChair>, known at least as early as Jun. 7, 2016, 1 pg.

* cited by examiner

Primary Examiner — Mimosa De
(74) *Attorney, Agent, or Firm* — Womble Carlyle Sandridge & Rice, LLP

(57) **CLAIM**

We claim the ornamental design for a chair back, as shown and described.

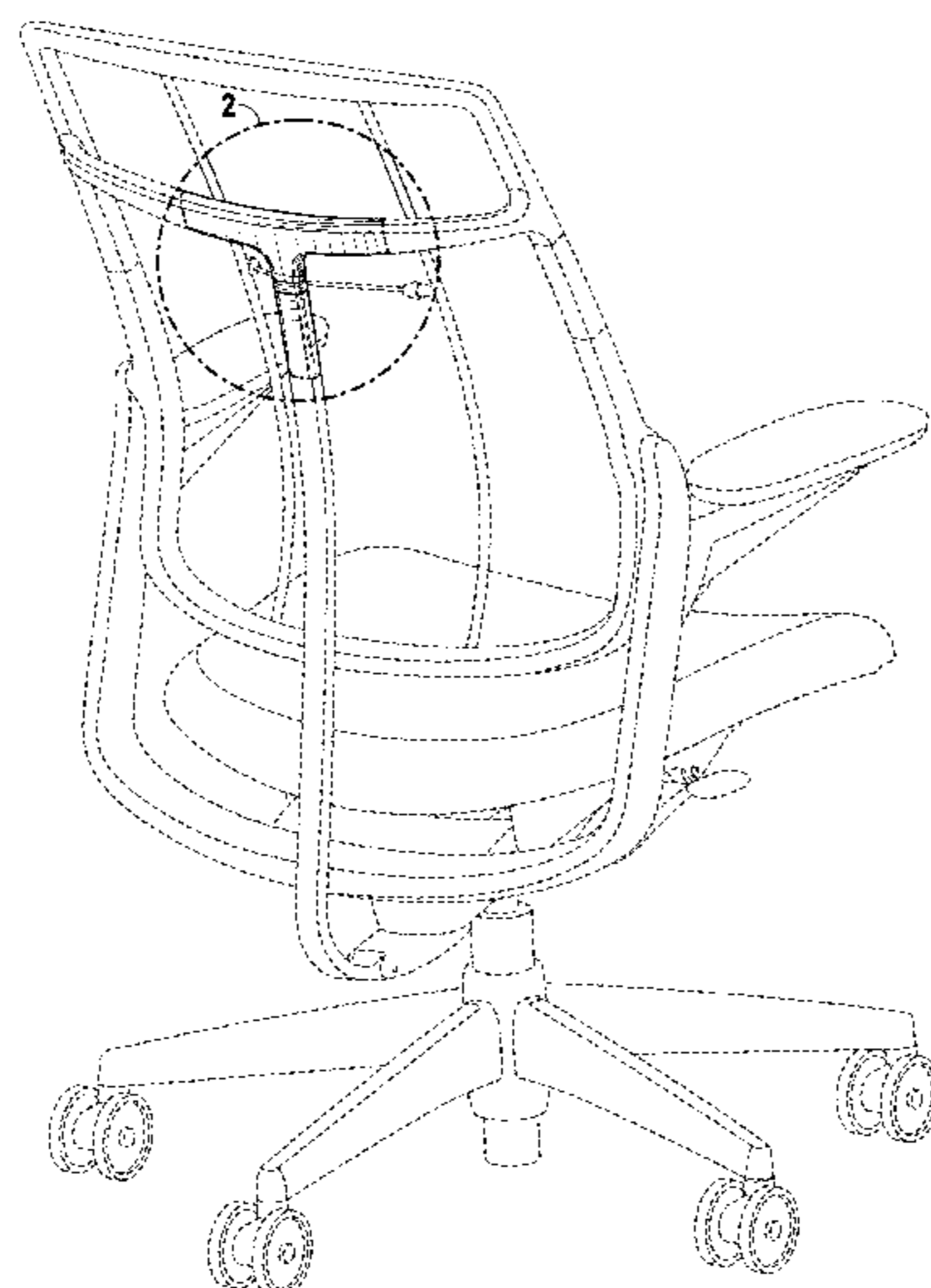
DESCRIPTION

FIG. 1 is a rear perspective view of our new design; FIG. 2 is a detailed perspective view thereof; FIG. 3 is a left side view thereof, the right side being a mirror image thereof; FIG. 4 is a detailed left side view thereof; and, FIG. 5 is a rear view thereof.
The views of the chair back not shown form no part of the claimed design. The dash-dash lines in the figures show portions and features that form no part of the claimed design. The dash-dot lines in the figures represent the unclaimed boundary of the design.

1 Claim, 5 Drawing Sheets

(56) **References Cited**
U.S. PATENT DOCUMENTS

- 1,860,096 A * 5/1932 Headley A47C 7/40
297/358
- D540,578 S * 4/2007 Chen D6/366
- D541,063 S * 4/2007 Su D6/366
- 7,213,880 B2 * 5/2007 Schmitz A47C 7/46
297/300.2
- D548,992 S * 8/2007 Koepke D6/366
- D572,948 S * 7/2008 Wakasugi D6/366
- D597,349 S * 8/2009 Wilkinson D6/716
- D627,174 S * 11/2010 Romero D6/366
- D641,561 S * 7/2011 Tsai D6/366



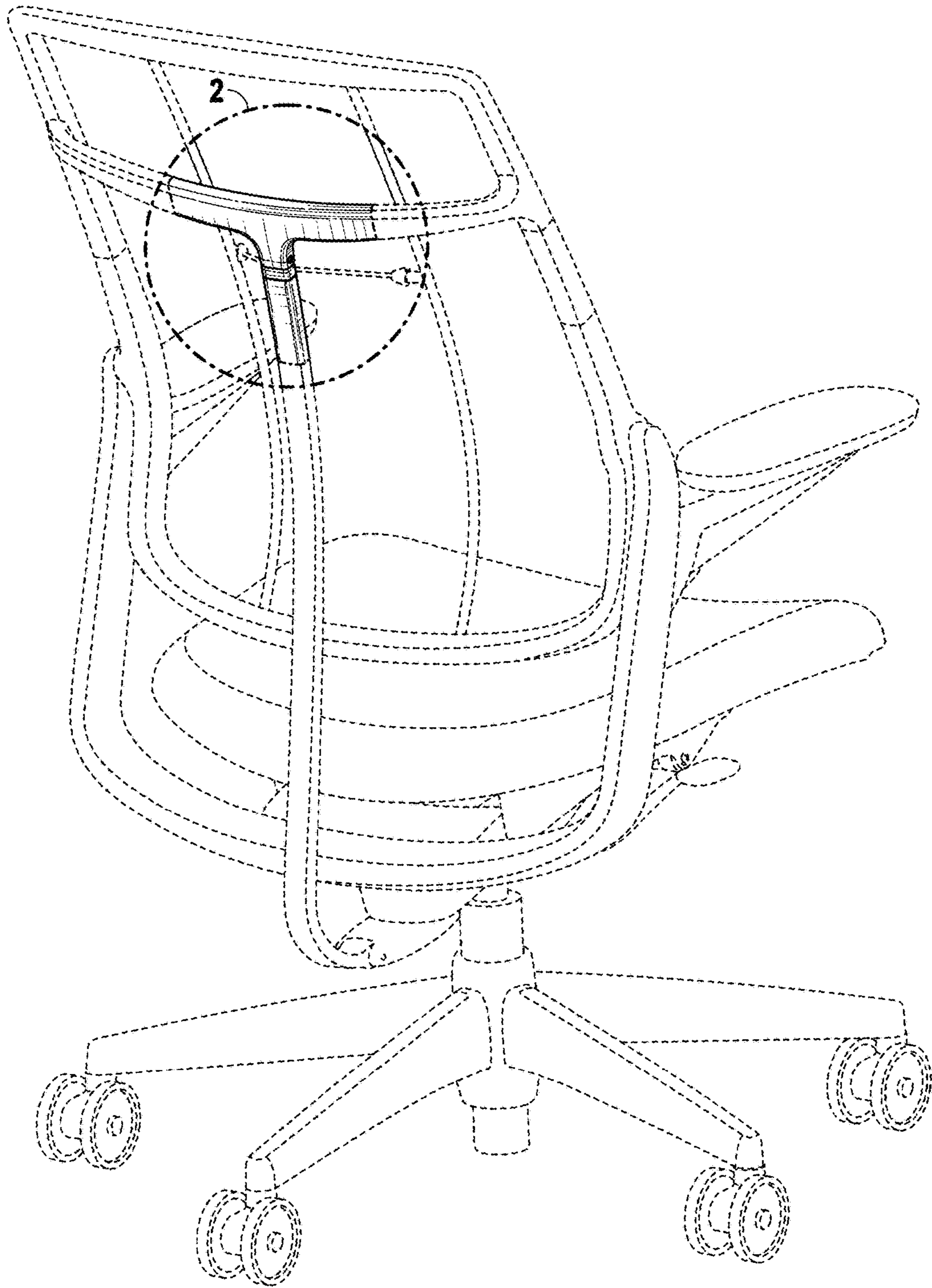


FIG. 1

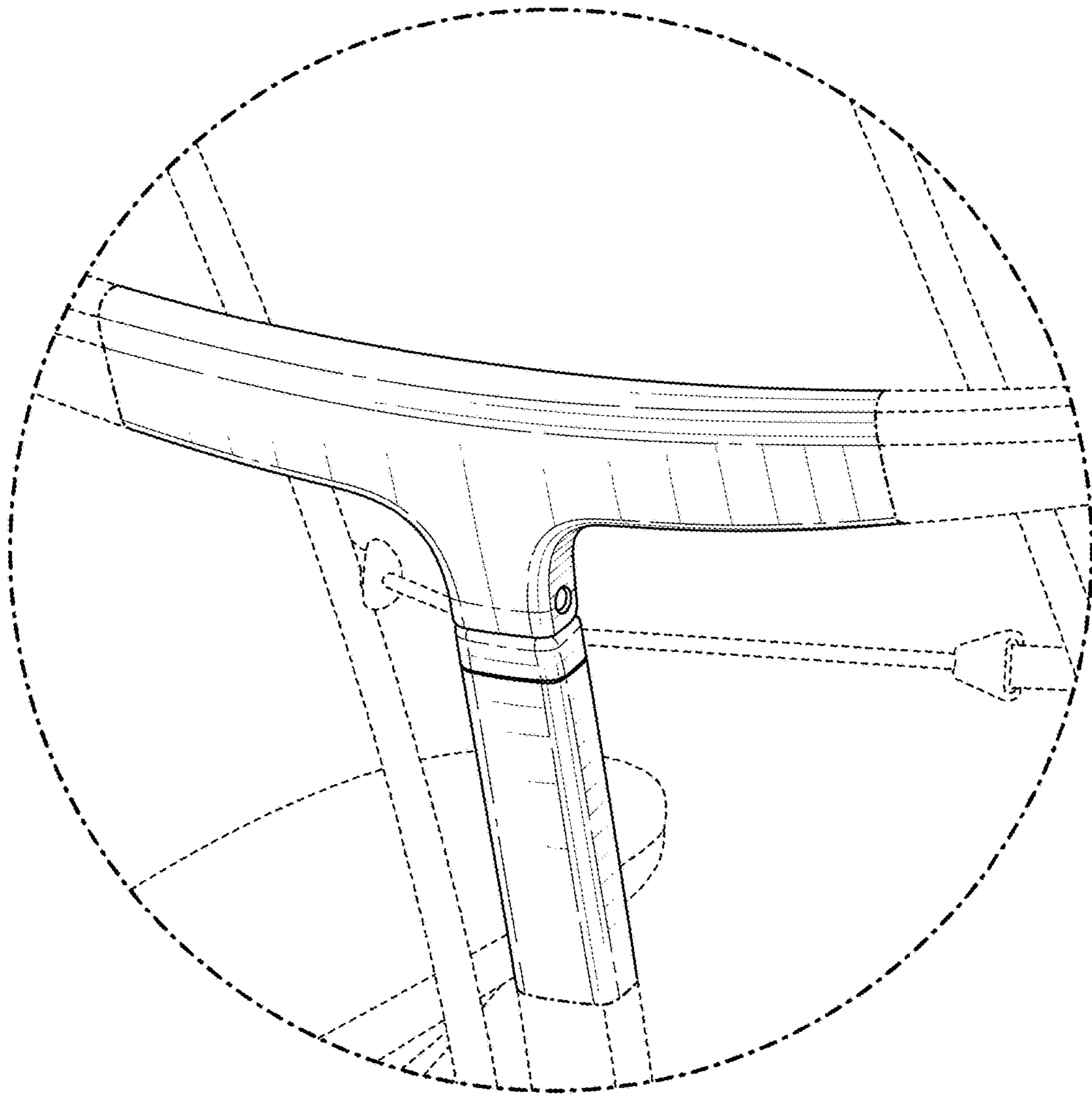


FIG. 2

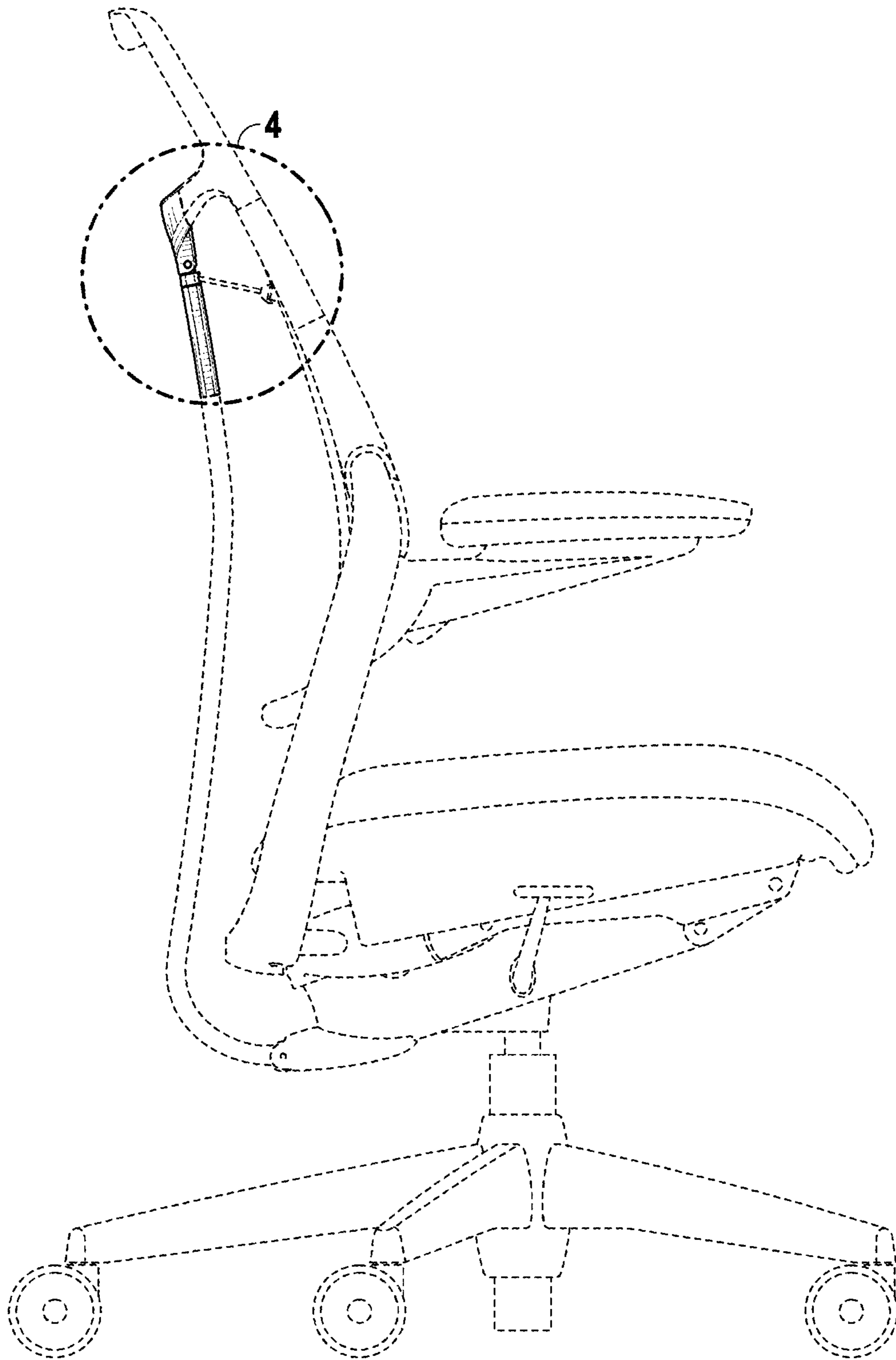


FIG. 3

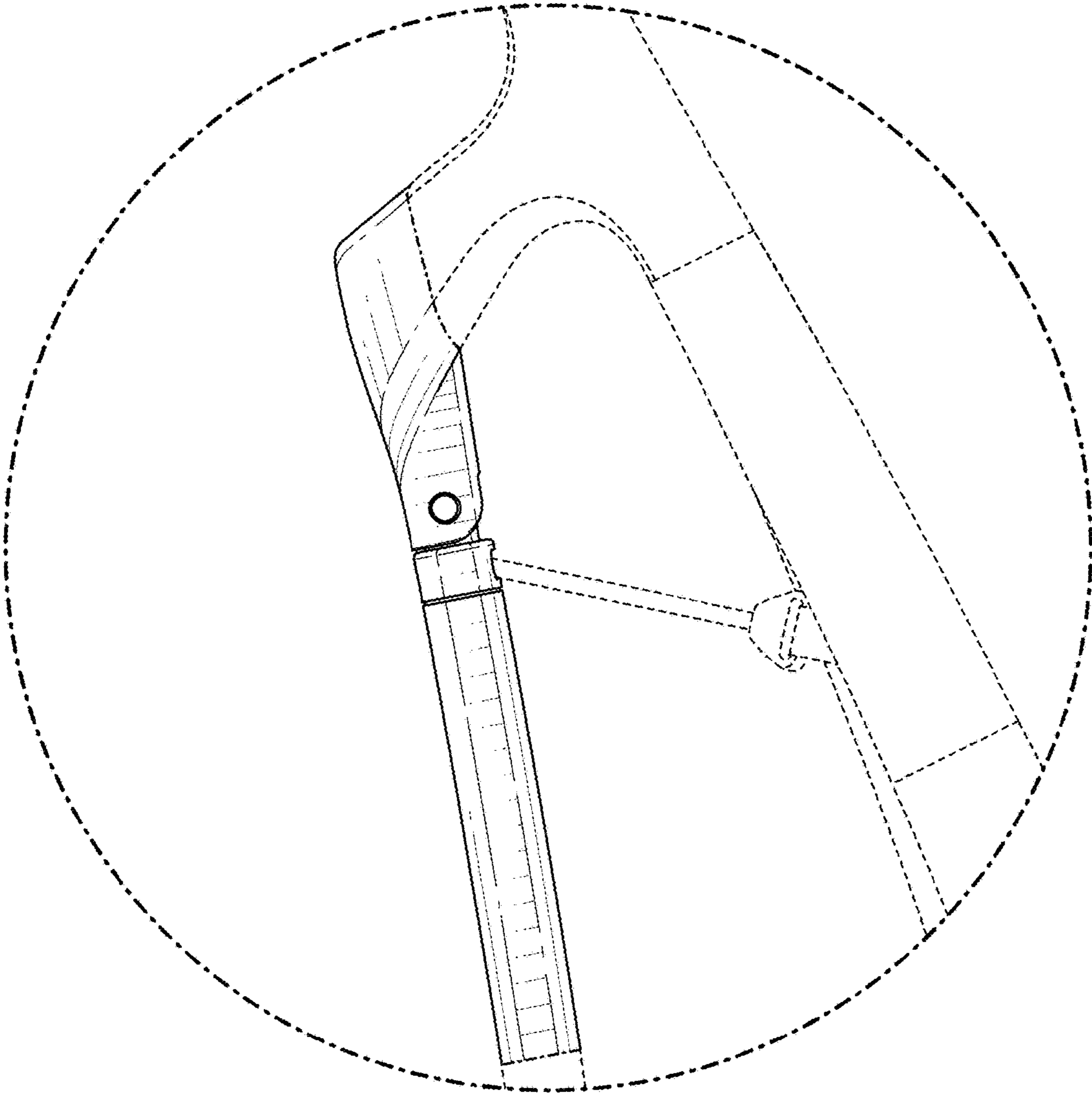


FIG. 4

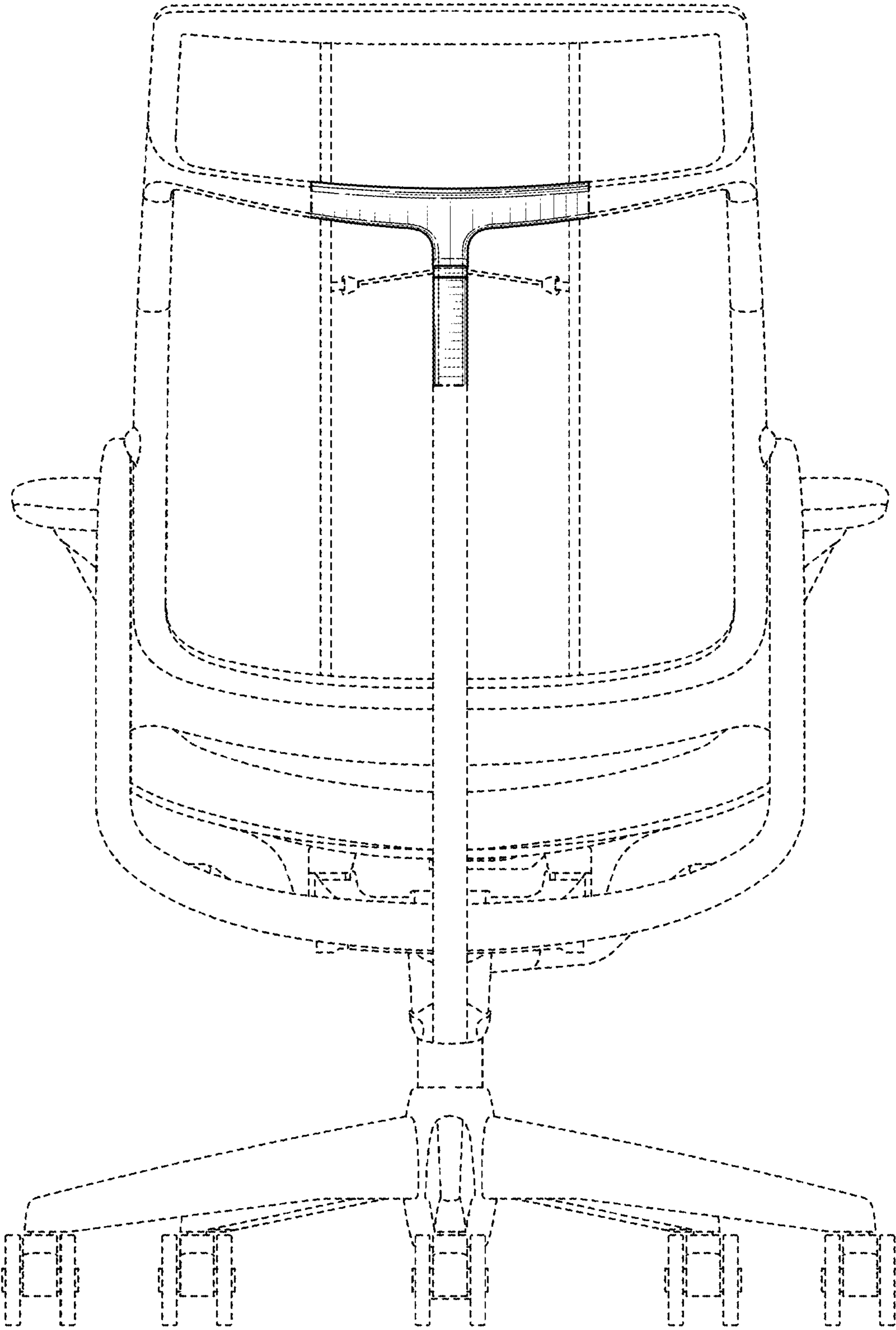


FIG. 5