



US00D795621S

(12) **United States Design Patent** (10) **Patent No.:** **US D795,621 S**
Ono (45) **Date of Patent:** **** Aug. 29, 2017**

(54) **CHAIR**

(71) Applicant: **Okamura Corporation**, Yokohama-shi, Kanagawa (JP)

(72) Inventor: **Naho Ono**, Yokohama (JP)

(73) Assignee: **Okamura Corporation**, Yokohama-shi, Kanagawa (JP)

(**) Term: **15 Years**

(21) Appl. No.: **29/561,539**

(22) Filed: **Apr. 18, 2016**

(30) **Foreign Application Priority Data**

Oct. 21, 2015 (JP) 2015-023348

(51) **LOC (10) Cl.** **06-01**

(52) **U.S. Cl.**

USPC **D6/716**; D6/360; D6/366

(58) **Field of Classification Search**

USPC D6/334-336, 360, 364, 365, 366, 374, D6/375, 379, 380, 716, 716.1, 716.2, D6/716.3, 716.4

CPC A47C 3/18; A47C 3/20; A47C 3/24; A47C 4/028; A47C 5/04; A47C 7/002; A47C 7/004; A47C 7/48; A47C 7/18; A47C 7/24; A47C 7/50; A47C 7/52; A47C 9/00; A47C 9/007

See application file for complete search history.

(56) **References Cited**

U.S. PATENT DOCUMENTS

4,113,221	A *	9/1978	Wehner	A47C 7/50
					248/408
6,149,239	A *	11/2000	Markussen	A47C 7/52
					297/423.19
D449,456	S *	10/2001	Muller	A47C 9/007
					D6/360
D488,630	S *	4/2004	McCann	D6/366
D507,893	S *	8/2005	Glass	D6/360
D660,028	S *	5/2012	Rode	D6/360
9,084,486	B1 *	7/2015	Richardson	A47C 9/00
9,578,969	B1 *	2/2017	Su	A47C 7/004

* cited by examiner

Primary Examiner — Mimosa De

(74) *Attorney, Agent, or Firm* — Sughrue Mion, PLLC

(57) **CLAIM**

The ornamental design for a chair, as shown and described.

DESCRIPTION

FIG. 1 is a perspective view of a chair.
FIG. 2 is a front elevation view thereof.
FIG. 3 is a rear elevation view thereof.
FIG. 4 is a right side view thereof. A left side view is a mirror image of the right side view.
FIG. 5 is a top plan view thereof; and,
FIG. 6 is a bottom plan view thereof.
The broken lines shown in the drawings illustrate portions of the chair that form no part of the claimed design.

1 Claim, 6 Drawing Sheets

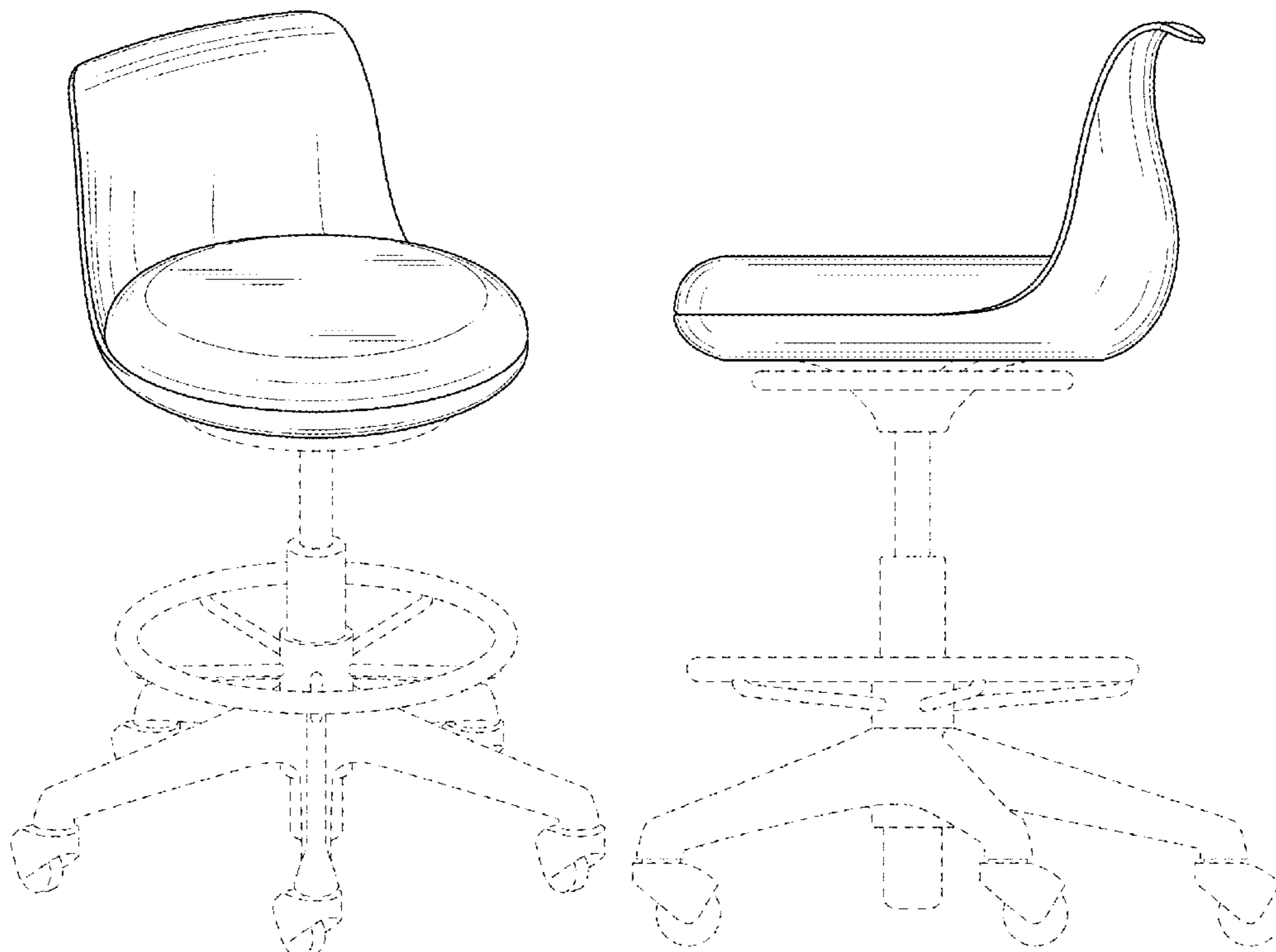


FIG. 1

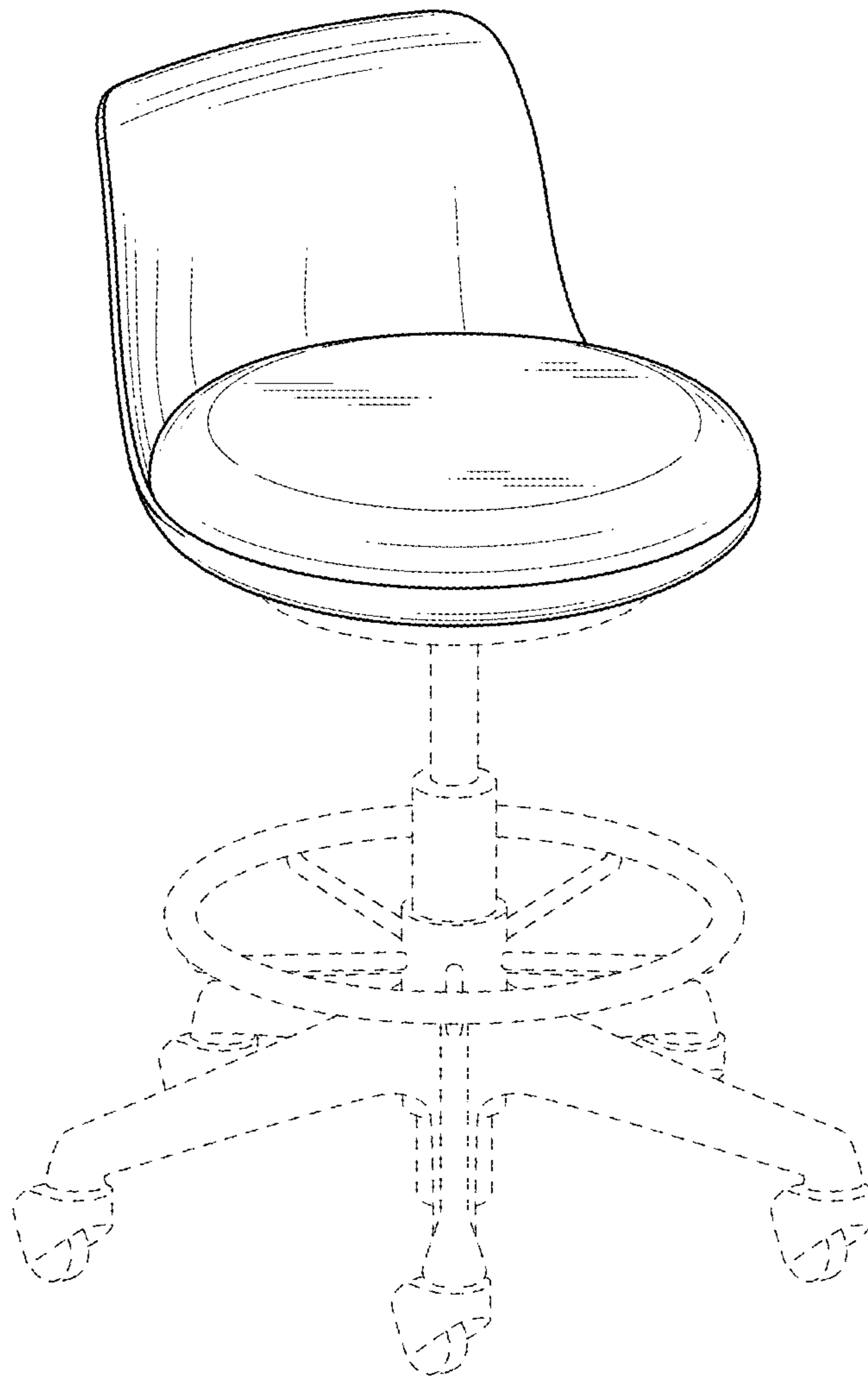


FIG. 2

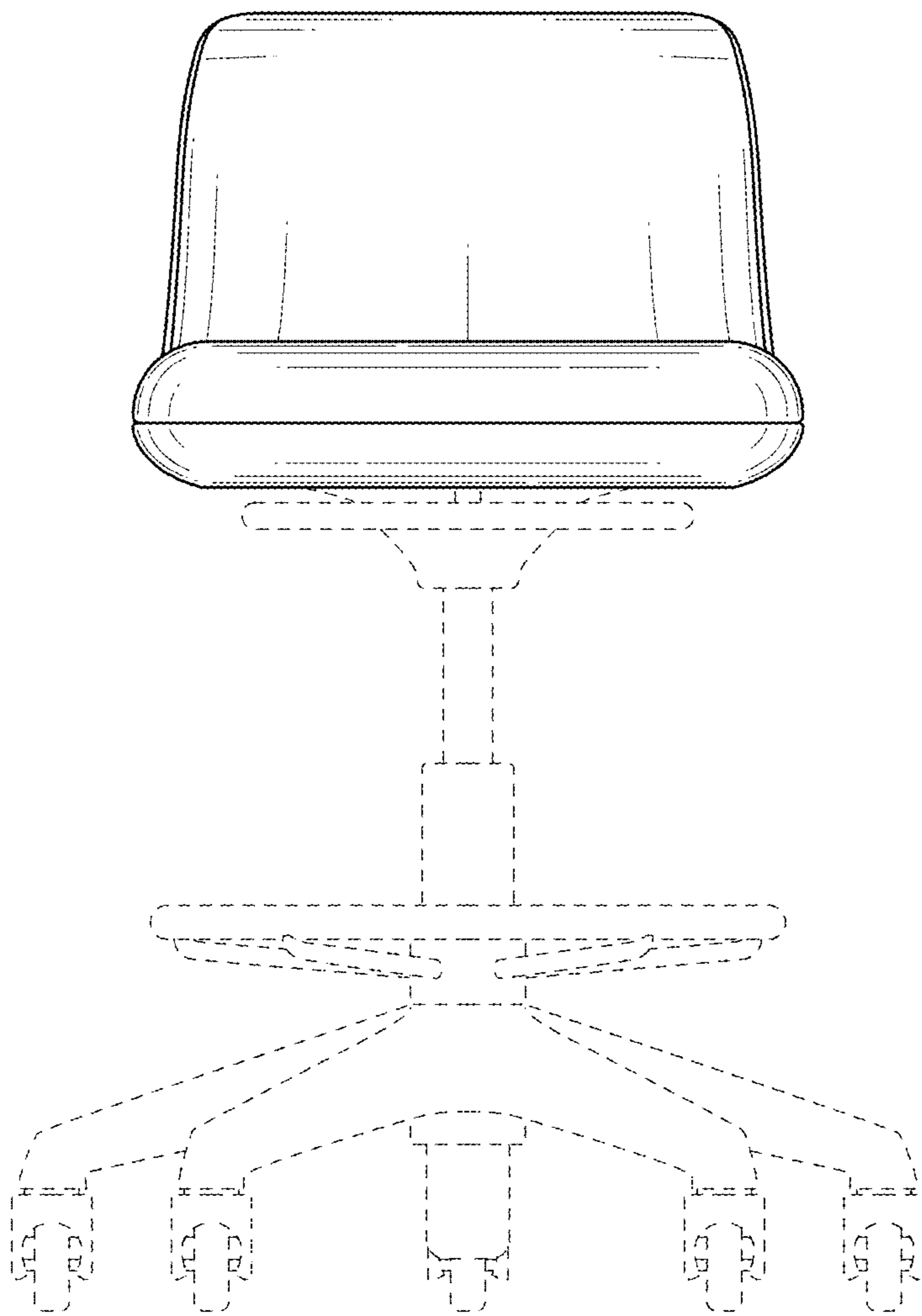


FIG. 3

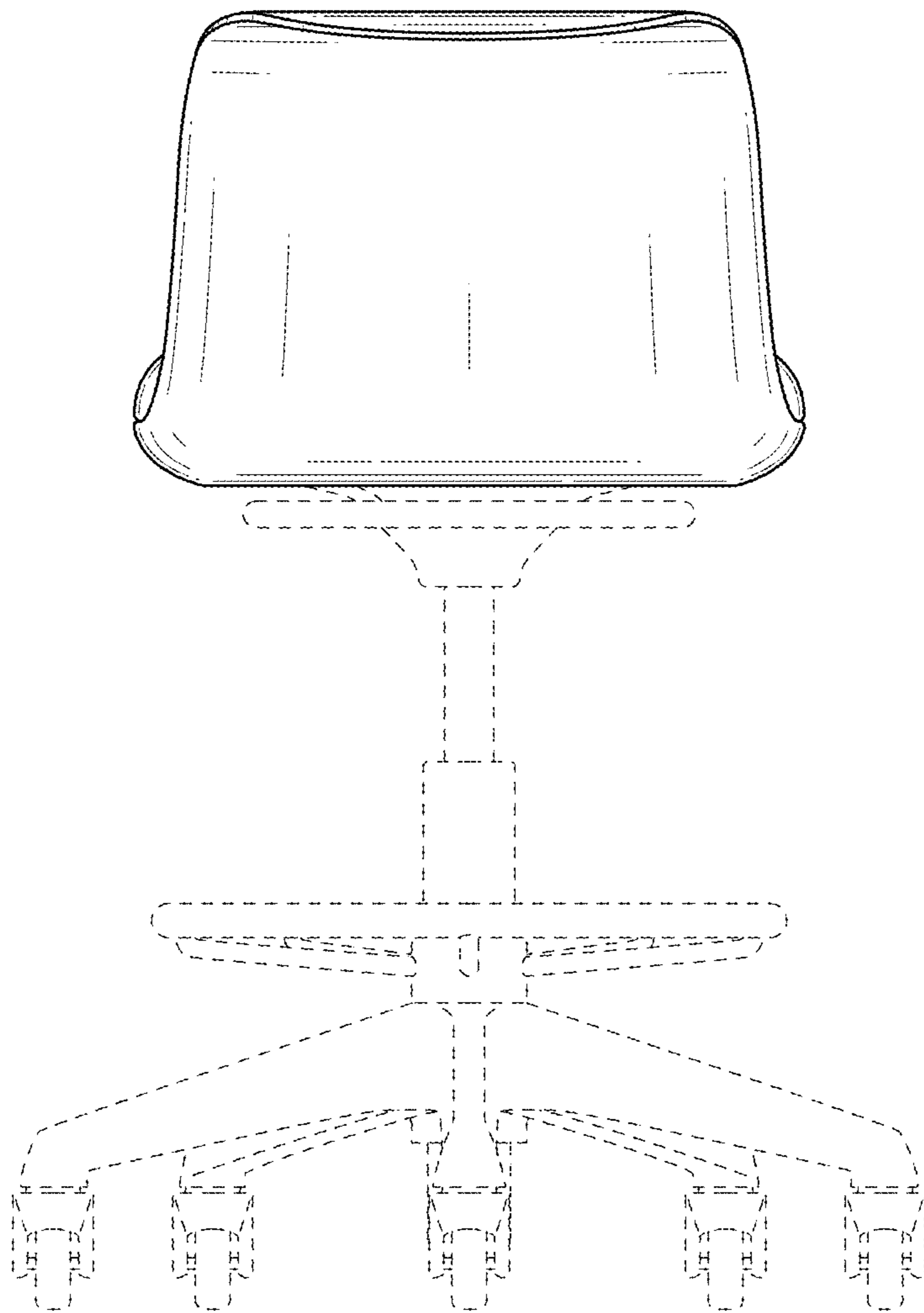


FIG. 4

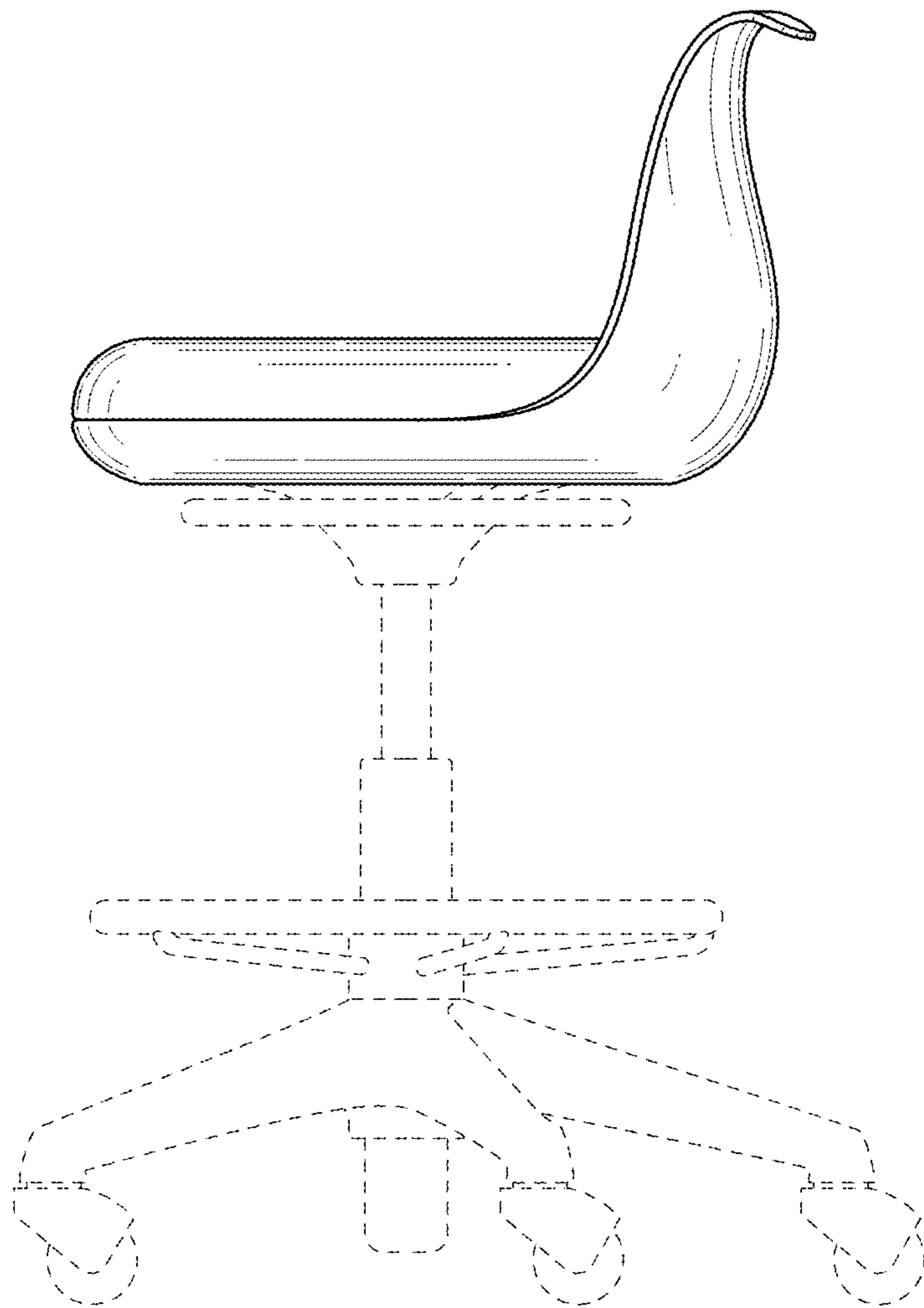


FIG. 5

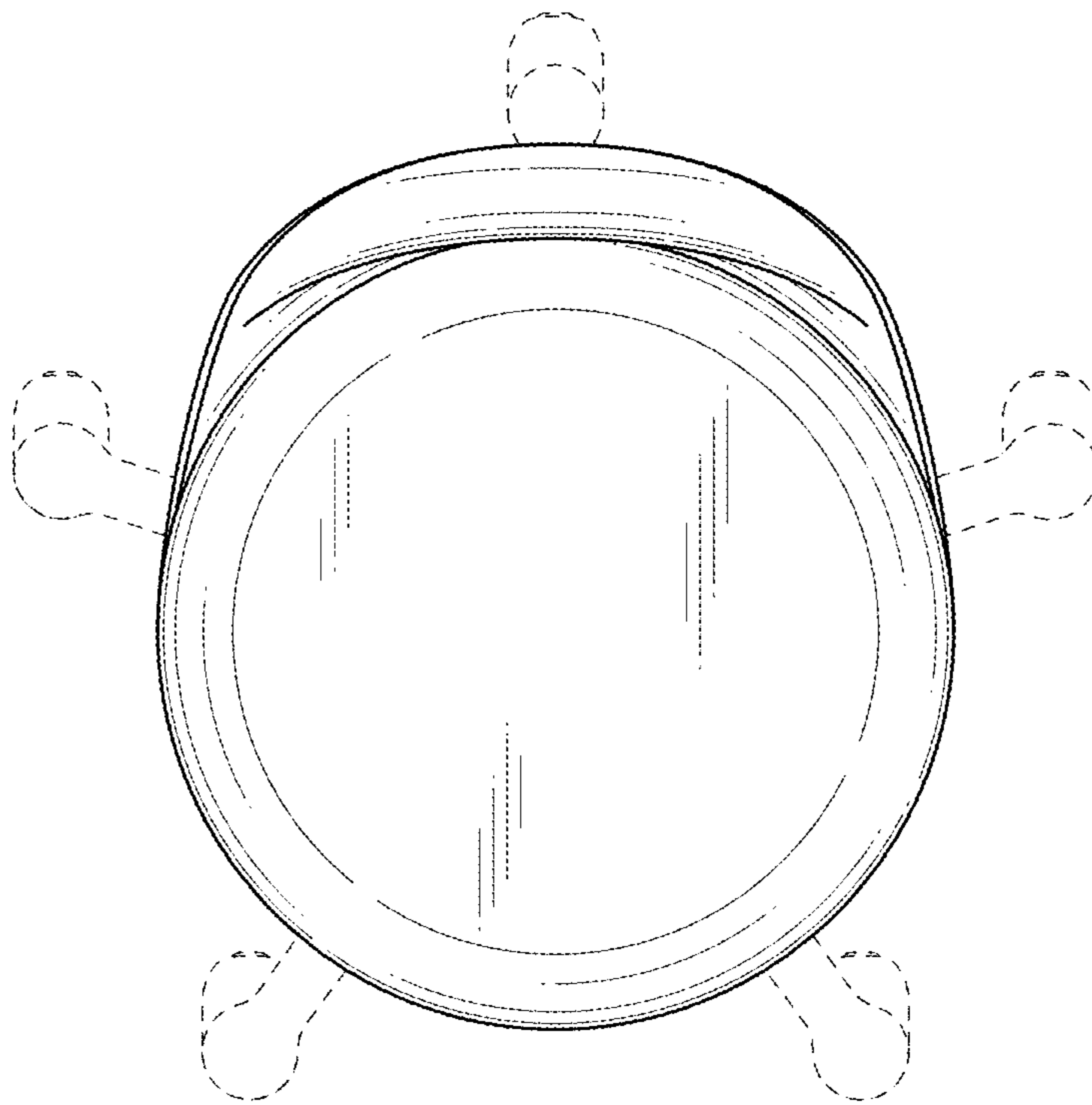


FIG. 6

