



US00D795620S

(12) **United States Design Patent** (10) **Patent No.:** **US D795,620 S**  
**Labrosse et al.** (45) **Date of Patent:** **\*\* Aug. 29, 2017**

- (54) **DESK WITH FEET**
- (71) Applicant: **STIRWORKS INC.**, Pasadena, CA (US)
- (72) Inventors: **Jean-Paul Labrosse**, Altadena, CA (US); **Lance Gorbutt Blake**, Los Angeles, CA (US)
- (73) Assignee: **Stirworks Inc.**, Pasadena, CA (US)
- (\*\*) Term: **14 Years**
- (21) Appl. No.: **29/515,329**
- (22) Filed: **Jan. 21, 2015**
- (51) **LOC (10) Cl.** ..... **06-13**
- (52) **U.S. Cl.**  
USPC ..... **D6/709**
- (58) **Field of Classification Search**  
USPC ..... D6/641, 648.1, 653.11, 653.14, 653.18, D6/653.21, 654.11, 564.14, 708-712  
CPC .... A47B 1/00; A47B 1/08; A47B 1/10; A47B 9/00; A47B 9/08; A47B 9/20; A47B 9/18; A47B 87/002; A47B 7/00; A47B 2021/11; A47B 13/00; A47B 13/02; A47B 13/04; A47B 91/00; A47B 2200/002; A47B 2200/0031  
See application file for complete search history.

- (56) **References Cited**  
U.S. PATENT DOCUMENTS  
3,625,462 A \* 12/1971 Jordan ..... A47B 91/04 248/188.8  
D254,586 S \* 4/1980 Koves ..... D6/708  
D274,586 S \* 7/1984 Cope ..... D6/653.21  
D277,717 S \* 2/1985 Petrick ..... D18/59  
D284,434 S \* 7/1986 Boundy ..... D6/709  
D288,509 S \* 3/1987 van de Oudeweetering . D6/682  
D314,299 S \* 2/1991 Diffrient ..... D6/709  
D324,615 S \* 3/1992 Diffrient ..... D6/709

- D330,302 S \* 10/1992 Heidmann ..... D6/709
- D404,592 S \* 1/1999 Cheng ..... D6/709
- D407,924 S \* 4/1999 Cheng ..... D6/709
- D407,925 S \* 4/1999 Cheng ..... D6/709
- D409,021 S \* 5/1999 Cheng ..... D6/709
- D412,256 S \* 7/1999 Gutgsell ..... D6/709
- D478,437 S \* 8/2003 Wang ..... D6/709
- D553,883 S \* 10/2007 DeJule ..... D6/709
- D555,945 S \* 11/2007 Pearsons ..... D6/709
- D565,869 S \* 4/2008 Williams ..... D6/710
- D569,662 S \* 5/2008 Simonsen ..... D6/709
- 7,559,516 B2 \* 7/2009 Koder ..... A47B 9/20 108/147
- D640,075 S \* 6/2011 Petrick ..... D6/656.17
- D642,832 S \* 8/2011 Saito ..... D6/709
- D644,860 S \* 9/2011 Saito ..... D6/656.17
- D721,244 S \* 1/2015 Mueller ..... D6/709
- D723,848 S \* 3/2015 Mueller ..... D6/709
- D723,849 S \* 3/2015 Mueller ..... D6/709

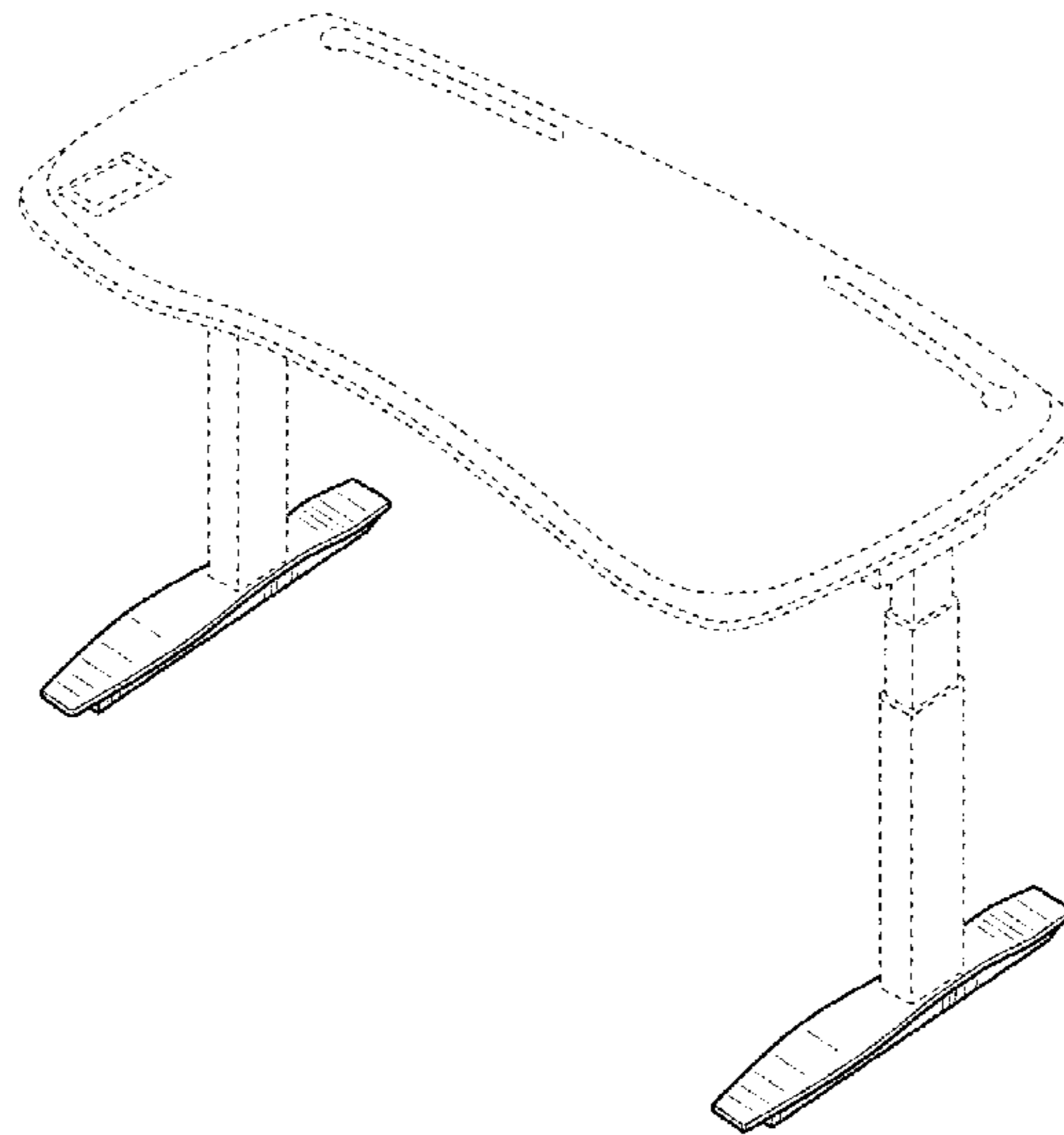
(Continued)

*Primary Examiner* — Garth Rademaker  
*Assistant Examiner* — Christopher J Matthews  
(74) *Attorney, Agent, or Firm* — Young Basile Hanlon & MacFarlane, P.C.

(57) **CLAIM**  
The ornamental design for a desk with feet, as shown and described.

**DESCRIPTION**  
FIG. 1 is a top perspective view of a desk with feet showing the new design;  
FIG. 2 is a front elevation view thereof;  
FIG. 3 is a right side elevation view thereof, the left side elevation view being a mirror image thereof;  
FIG. 4 is a rear elevation view thereof;  
FIG. 5 is a top plan view thereof; and,  
FIG. 6 is a bottom plan view thereof.  
The broken lines in the drawings illustrate portions of the desk with feet that form no part of the claimed design.

**1 Claim, 3 Drawing Sheets**



(56)

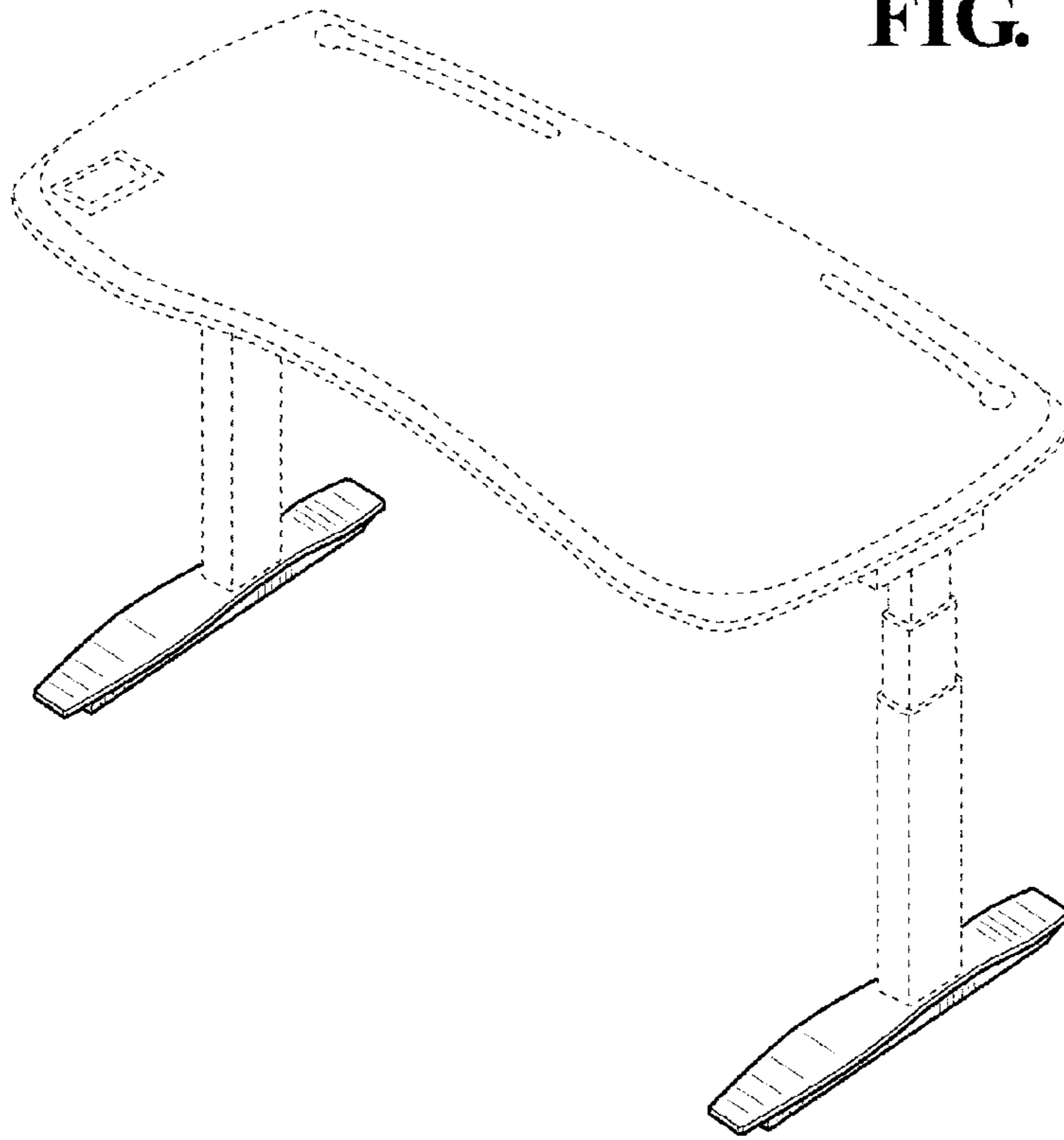
**References Cited**

U.S. PATENT DOCUMENTS

2008/0178779	A1 *	7/2008	Agee .....	A47B 9/04 108/147	2014/0360415	A1 *	12/2014	Riis .....	A47B 9/20 108/147.19
2010/0187380	A1 *	7/2010	Koder .....	A47B 9/12 248/188.5	2014/0367538	A1 *	12/2014	Widholzer .....	A47B 9/20 248/188.1
2011/0247530	A1 *	10/2011	Coffman .....	A47B 3/0911 108/116	2015/0047538	A1 *	2/2015	Ergun .....	A47B 9/02 108/147
2012/0126072	A1 *	5/2012	Pettersson .....	A47B 9/04 248/157	2015/0118010	A1 *	4/2015	Krusin .....	A47B 7/02 414/801
2012/0174833	A1 *	7/2012	Early .....	A47B 9/00 108/50.11	2015/0136000	A1 *	5/2015	Holtschi .....	A47B 9/20 108/146
2012/0304900	A1 *	12/2012	Henriott .....	A47B 13/06 108/91	2015/0216296	A1 *	8/2015	Mitchell .....	B62B 3/02 108/21
2013/0199419	A1 *	8/2013	Hjelm .....	A47B 9/00 108/20	2015/0282605	A1 *	10/2015	Wu .....	A47B 3/002 248/188.2
2013/0221171	A1 *	8/2013	Lorenzen .....	A47B 9/20 248/188.5	2015/0320198	A1 *	11/2015	Zebarjad .....	A47B 9/20 108/147
2013/0263762	A1 *	10/2013	Chang .....	A47B 17/00 108/2	2016/0037907	A1 *	2/2016	Ergun .....	A47B 9/12 108/147
2014/0020606	A1 *	1/2014	Benden .....	A47B 13/00 108/50.14	2016/0073779	A1 *	3/2016	Ringlein .....	A47B 87/002 108/28
2014/0026788	A1 *	1/2014	Kallio, III .....	A47B 13/081 108/6	2016/0106205	A1 *	4/2016	Hall .....	A47B 9/00 700/275
2014/0096706	A1 *	4/2014	Labrosse .....	A47B 21/02 108/21	2016/0170402	A1 *	6/2016	Lindstrom .....	A47B 9/00 700/275

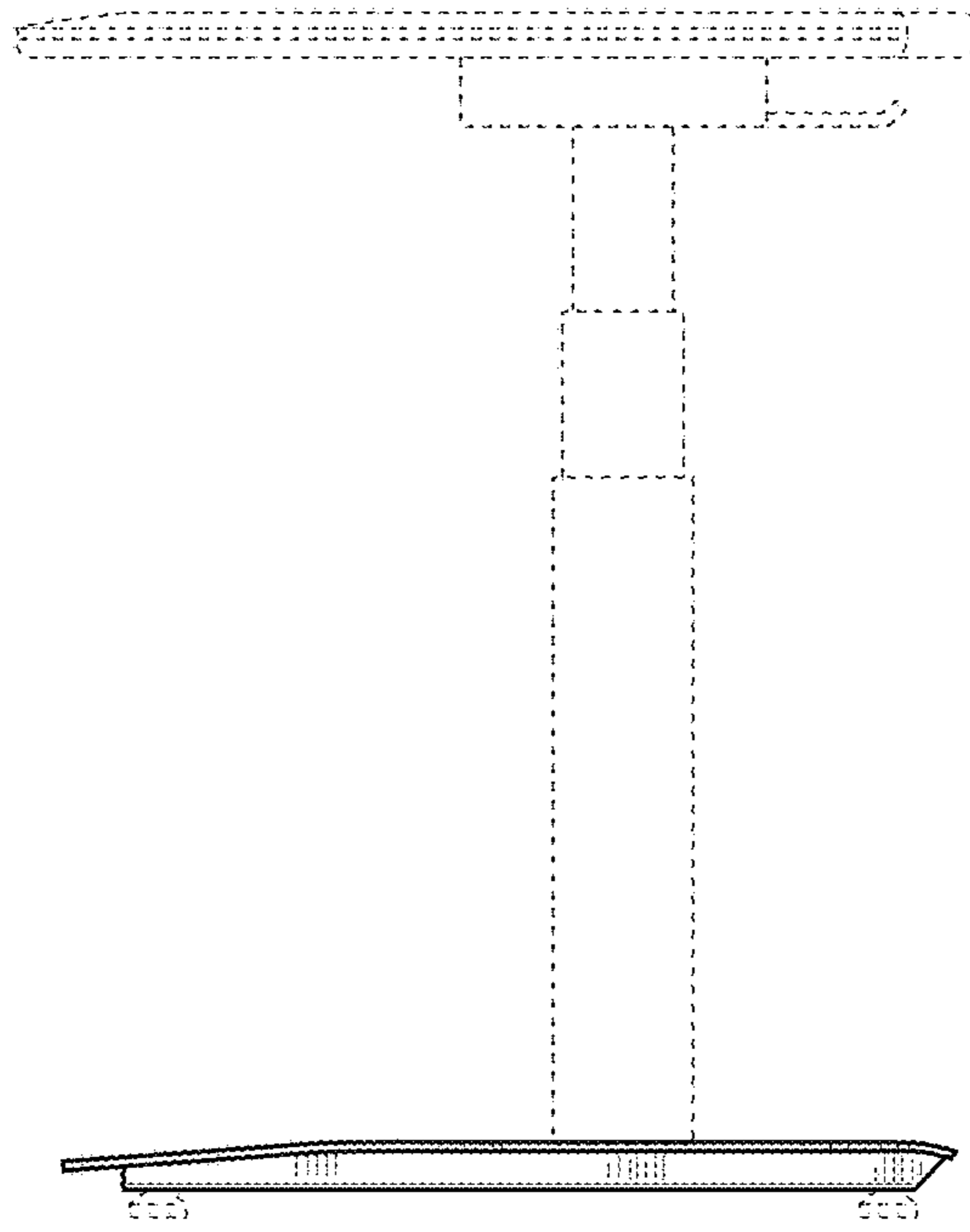
\* cited by examiner

**FIG. 1**



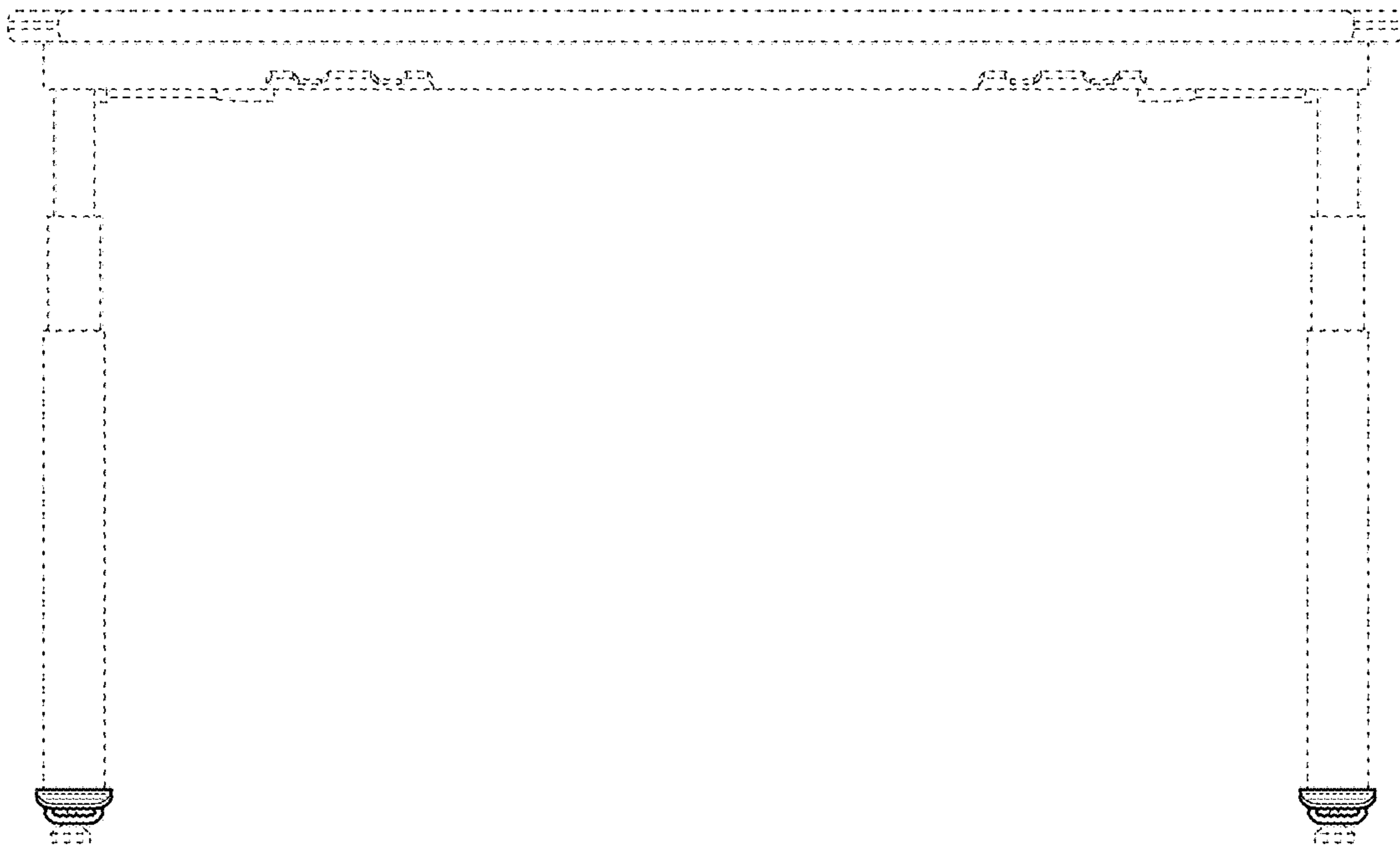
**FIG. 2**



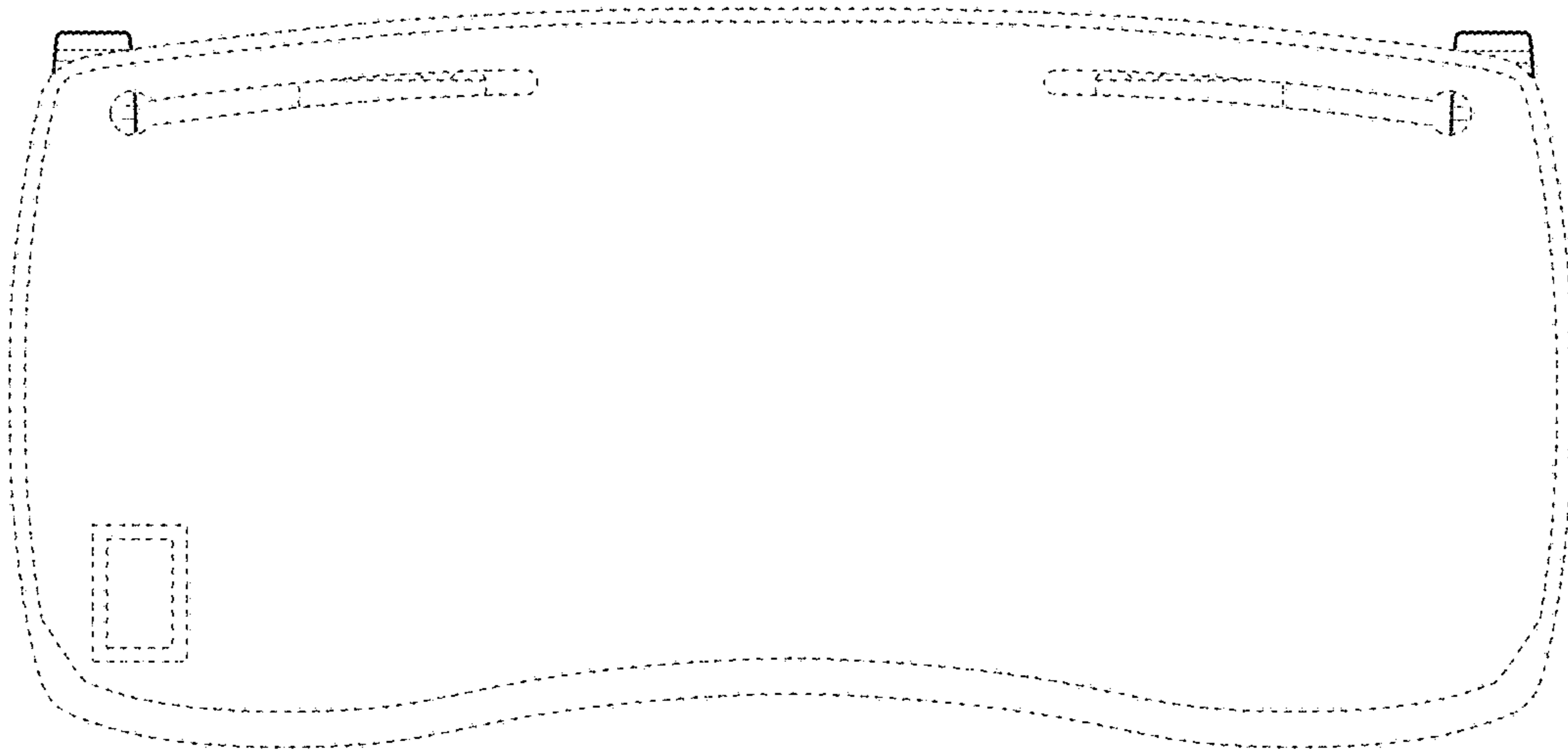


**FIG. 3**

**FIG. 4**



**FIG. 5**



**FIG. 6**

