



US00D795619S

(12) **United States Design Patent** (10) **Patent No.:** **US D795,619 S**
Labrosse et al. (45) **Date of Patent:** **** Aug. 29, 2017**

- (54) **DESK WITH LEGS**
- (71) Applicant: **STIRWORKS INC.**, Pasadena, CA (US)
- (72) Inventors: **Jean-Paul Labrosse**, Altadena, CA (US); **Lance Gorbutt Blake**, Los Angeles, CA (US)
- (73) Assignee: **Stirworks Inc.**, Pasadena, CA (US)
- (**) Term: **14 Years**
- (21) Appl. No.: **29/515,328**
- (22) Filed: **Jan. 21, 2015**
- (51) **LOC (10) Cl.** **06-13**
- (52) **U.S. Cl.**
USPC **D6/709**
- (58) **Field of Classification Search**
USPC D6/641, 648.1, 653.11, 653.14, 653.18, D6/653.21, 654.11, 564.14, 708-712
CPC A47B 1/00; A47B 1/08; A47B 1/10; A47B 9/00; A47B 9/08; A47B 9/20; A47B 9/18; A47B 87/002; A47B 7/00; A47B 2021/11; A47B 13/00; A47B 13/02; A47B 13/04; A47B 91/00; A47B 2200/002; A47B 2200/0031
See application file for complete search history.

- (56) **References Cited**
U.S. PATENT DOCUMENTS
3,625,462 A * 12/1971 Jordan A47B 91/04 248/188.8
D254,586 S * 4/1980 Koves D6/708
D274,586 S * 7/1984 Cope D6/653.21
D277,717 S * 2/1985 Petrick D18/59
D284,434 S * 7/1986 Boundy D6/709
D288,509 S * 3/1987 van de Oudeweetering . D6/682
D314,299 S * 2/1991 Diffrient D6/709
D324,615 S * 3/1992 Diffrient D6/709

- D330,302 S * 10/1992 Heidmann D6/709
- D404,592 S * 1/1999 Cheng D6/709
- D407,924 S * 4/1999 Cheng D6/709
- D407,925 S * 4/1999 Cheng D6/709
- D409,021 S * 5/1999 Cheng D6/709
- D412,256 S * 7/1999 Gutgsell D6/709
- D478,437 S * 8/2003 Wang D6/709
- D553,883 S * 10/2007 DeJule D6/709
- D555,945 S * 11/2007 Pearsons D6/709
- D565,869 S * 4/2008 Williams D6/710
- D569,662 S * 5/2008 Simonsen D6/709
- 7,559,516 B2 * 7/2009 Koder A47B 9/20 108/147
- D640,075 S * 6/2011 Petrick D6/656.17
- D642,832 S * 8/2011 Saito D6/709
- D644,860 S * 9/2011 Saito D6/656.17
- D721,244 S * 1/2015 Mueller D6/709
- D723,848 S * 3/2015 Mueller D6/709
- D723,849 S * 3/2015 Mueller D6/709

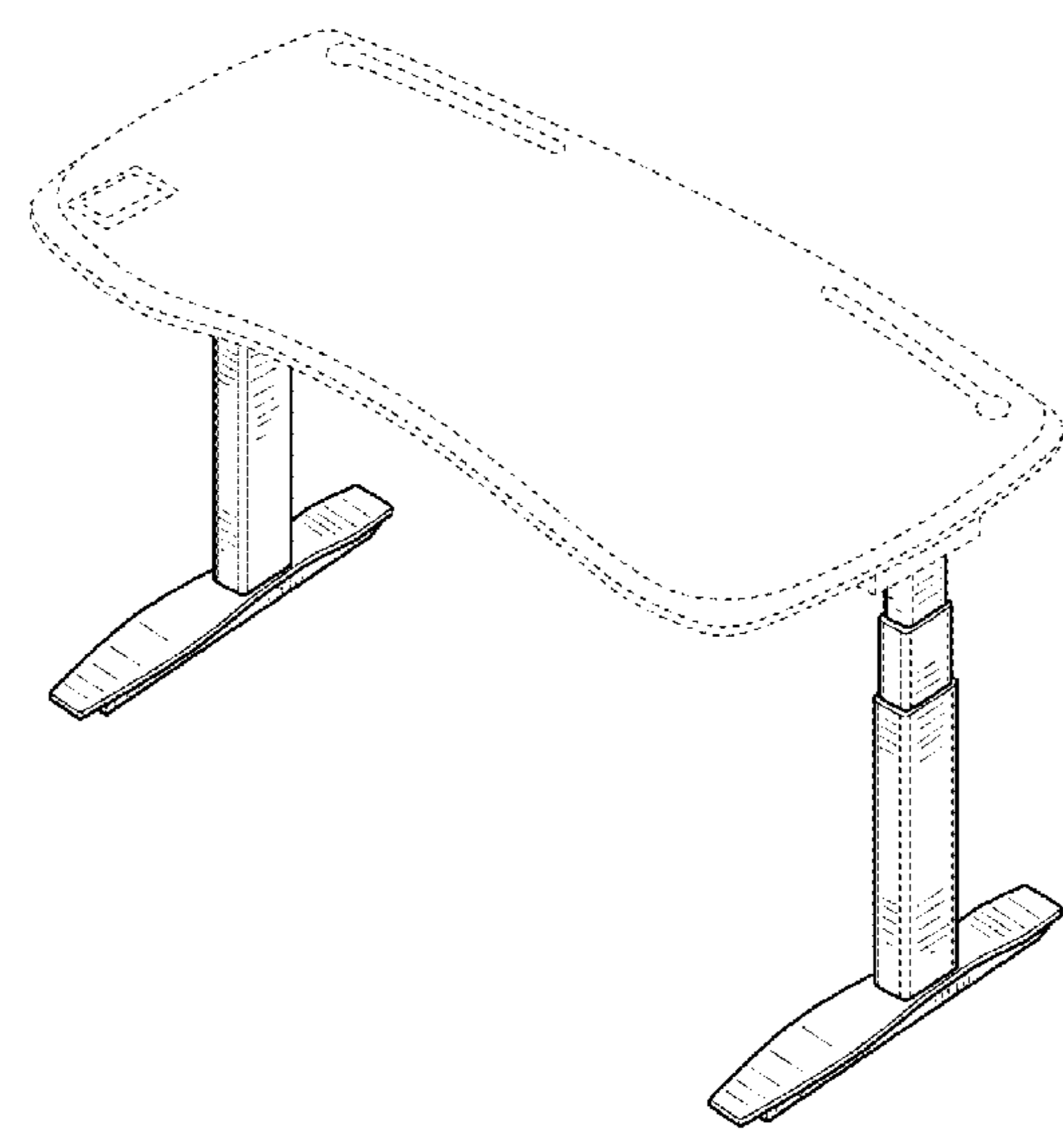
(Continued)

Primary Examiner — Garth Rademaker
Assistant Examiner — Christopher J Matthews
(74) *Attorney, Agent, or Firm* — Young Basile Hanlon & MacFarlane, P.C.

(57) **CLAIM**
The ornamental design for a desk with legs, as shown and described.

DESCRIPTION
FIG. 1 is a top perspective view of a desk with legs showing the new design;
FIG. 2 is a front elevation view thereof;
FIG. 3 is a right side elevation view thereof, the left side elevation view being a mirror image thereof;
FIG. 4 is a rear elevation view thereof;
FIG. 5 is a top plan view thereof; and,
FIG. 6 is a bottom plan view thereof.
The broken lines in the drawings illustrate portions of the desk with legs that form no part of the claimed design.

1 Claim, 3 Drawing Sheets



(56)

References Cited

U.S. PATENT DOCUMENTS

2008/0178779	A1 *	7/2008	Agee	A47B 9/04	108/147
2010/0187380	A1 *	7/2010	Koder	A47B 9/12	248/188.5
2011/0247530	A1 *	10/2011	Coffman	A47B 3/0911	108/116
2012/0126072	A1 *	5/2012	Pettersson	A47B 9/04	248/157
2012/0174833	A1 *	7/2012	Early	A47B 9/00	108/50.11
2012/0304900	A1 *	12/2012	Henriott	A47B 13/06	108/91
2013/0199419	A1 *	8/2013	Hjelm	A47B 9/00	108/20
2013/0221171	A1 *	8/2013	Lorenzen	A47B 9/20	248/188.5
2013/0263762	A1 *	10/2013	Chang	A47B 17/00	108/2
2014/0020606	A1 *	1/2014	Benden	A47B 13/00	108/50.14
2014/0026788	A1 *	1/2014	Kallio, III	A47B 13/081	108/6
2014/0096706	A1 *	4/2014	Labrosse	A47B 21/02	108/21
2014/0360415	A1 *	12/2014	Riis	A47B 9/20	108/147.19
2014/0367538	A1 *	12/2014	Widholzer	A47B 9/20	248/188.1
2015/0047538	A1 *	2/2015	Ergun	A47B 9/02	108/147
2015/0118010	A1 *	4/2015	Krusin	A47B 7/02	414/801
2015/0136000	A1 *	5/2015	Holtschi	A47B 9/20	108/146
2015/0216296	A1 *	8/2015	Mitchell	B62B 3/02	108/21
2015/0282605	A1 *	10/2015	Wu	A47B 3/002	248/188.2
2015/0320198	A1 *	11/2015	Zebarjad	A47B 9/20	108/147
2016/0037907	A1 *	2/2016	Ergun	A47B 9/12	108/147
2016/0073779	A1 *	3/2016	Ringlein	A47B 87/002	108/28
2016/0106205	A1 *	4/2016	Hall	A47B 9/00	700/275
2016/0170402	A1 *	6/2016	Lindstrom	A47B 9/00	700/275

* cited by examiner

FIG. 1

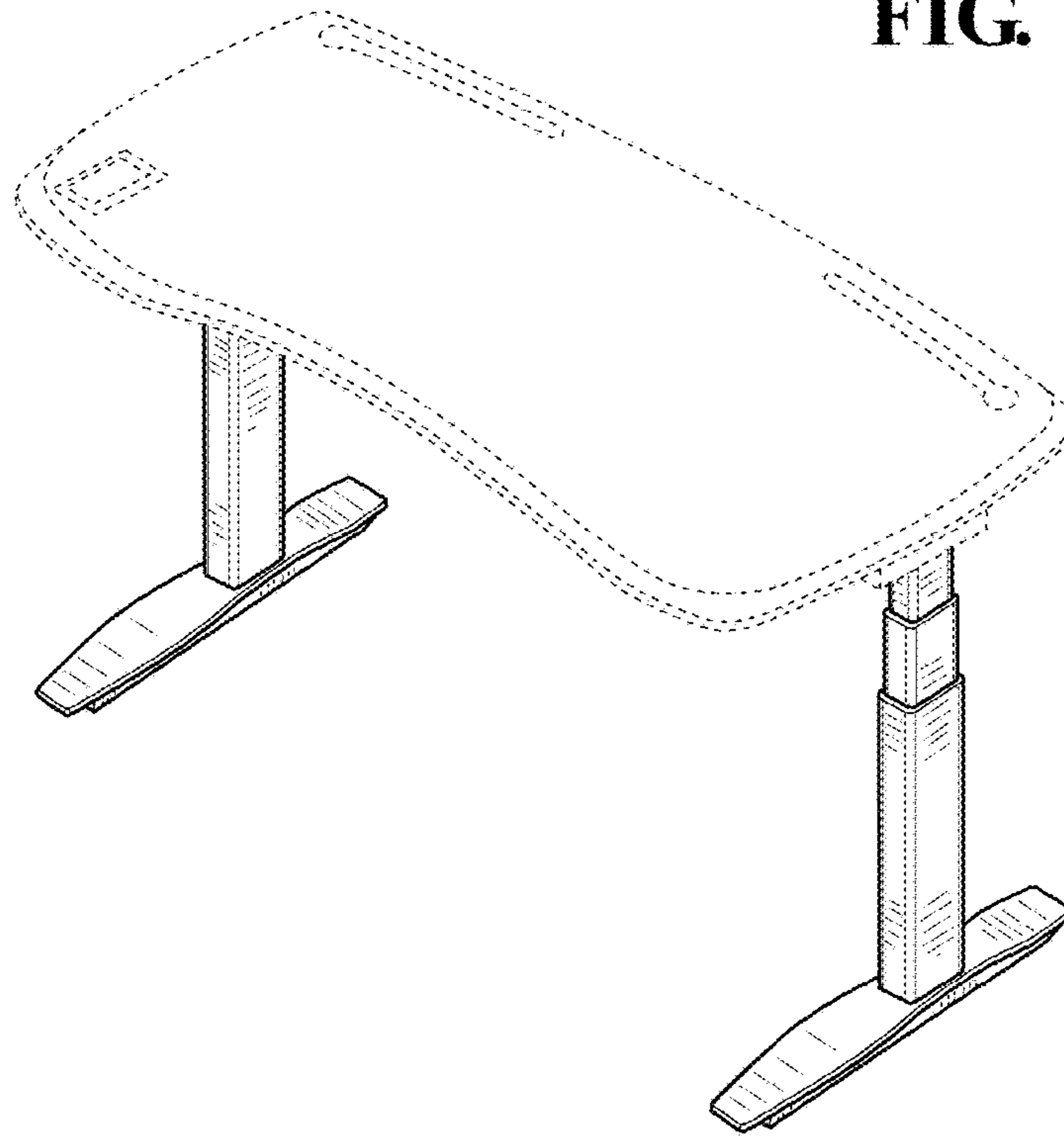


FIG. 2



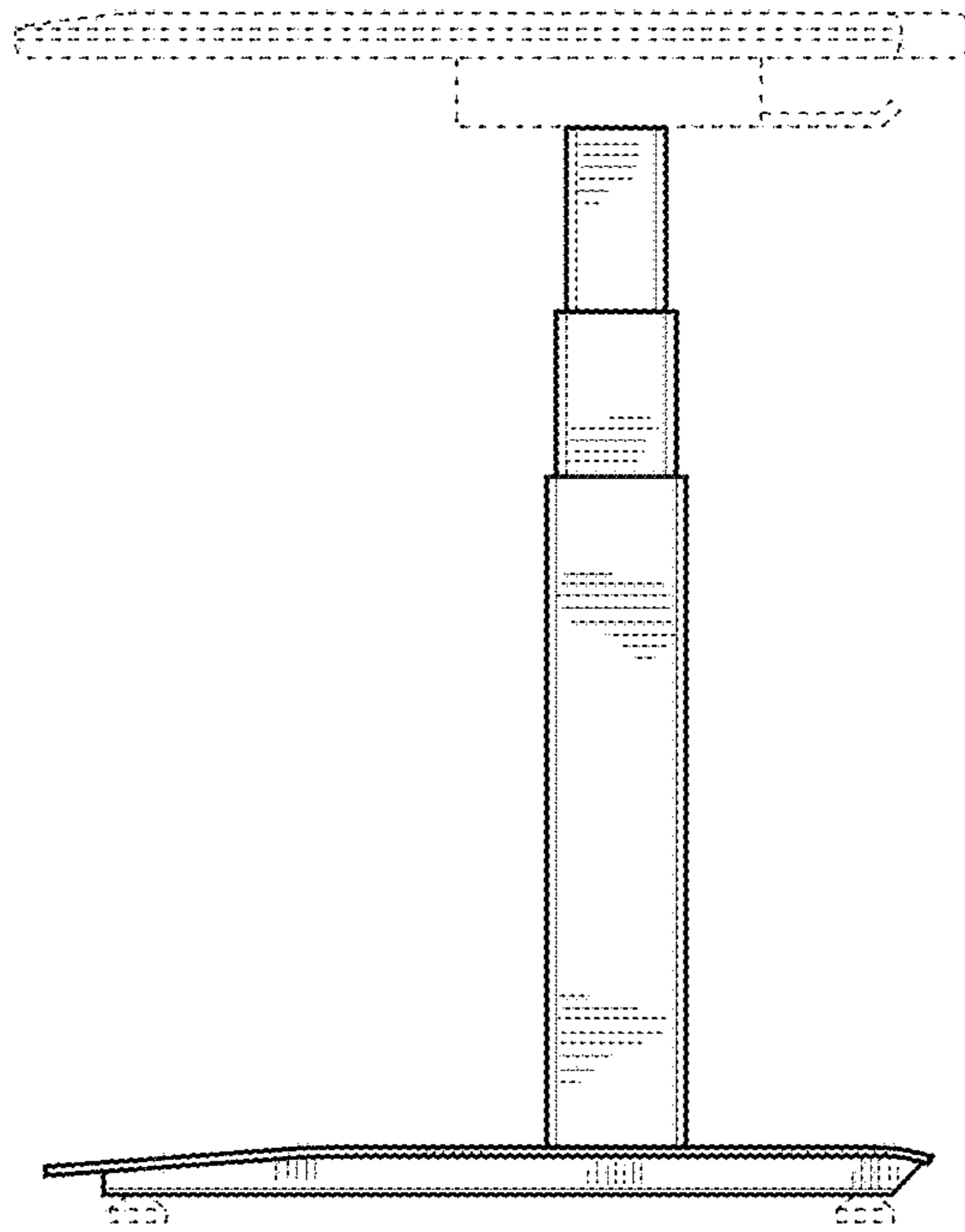


FIG. 3

FIG. 4

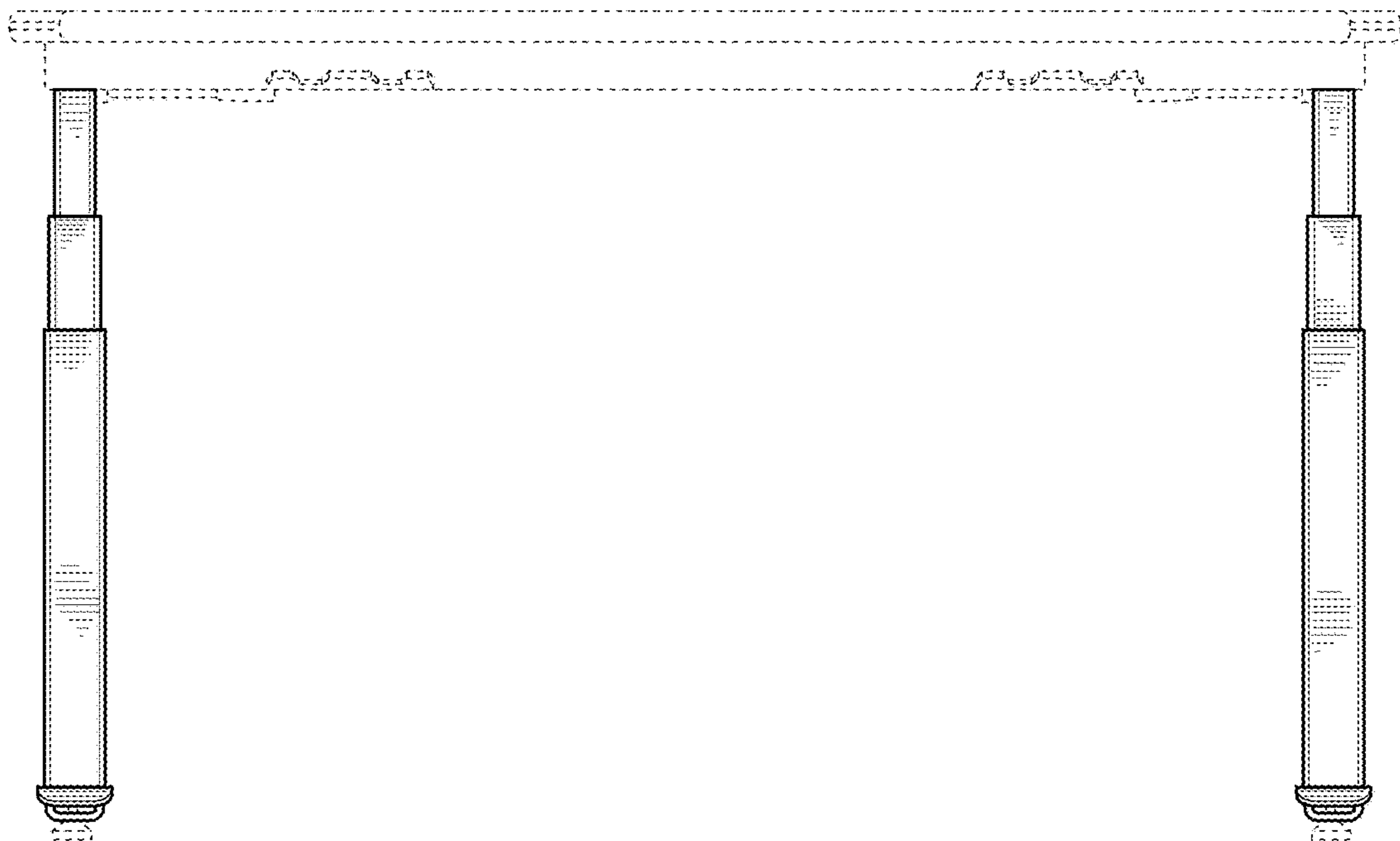


FIG. 5

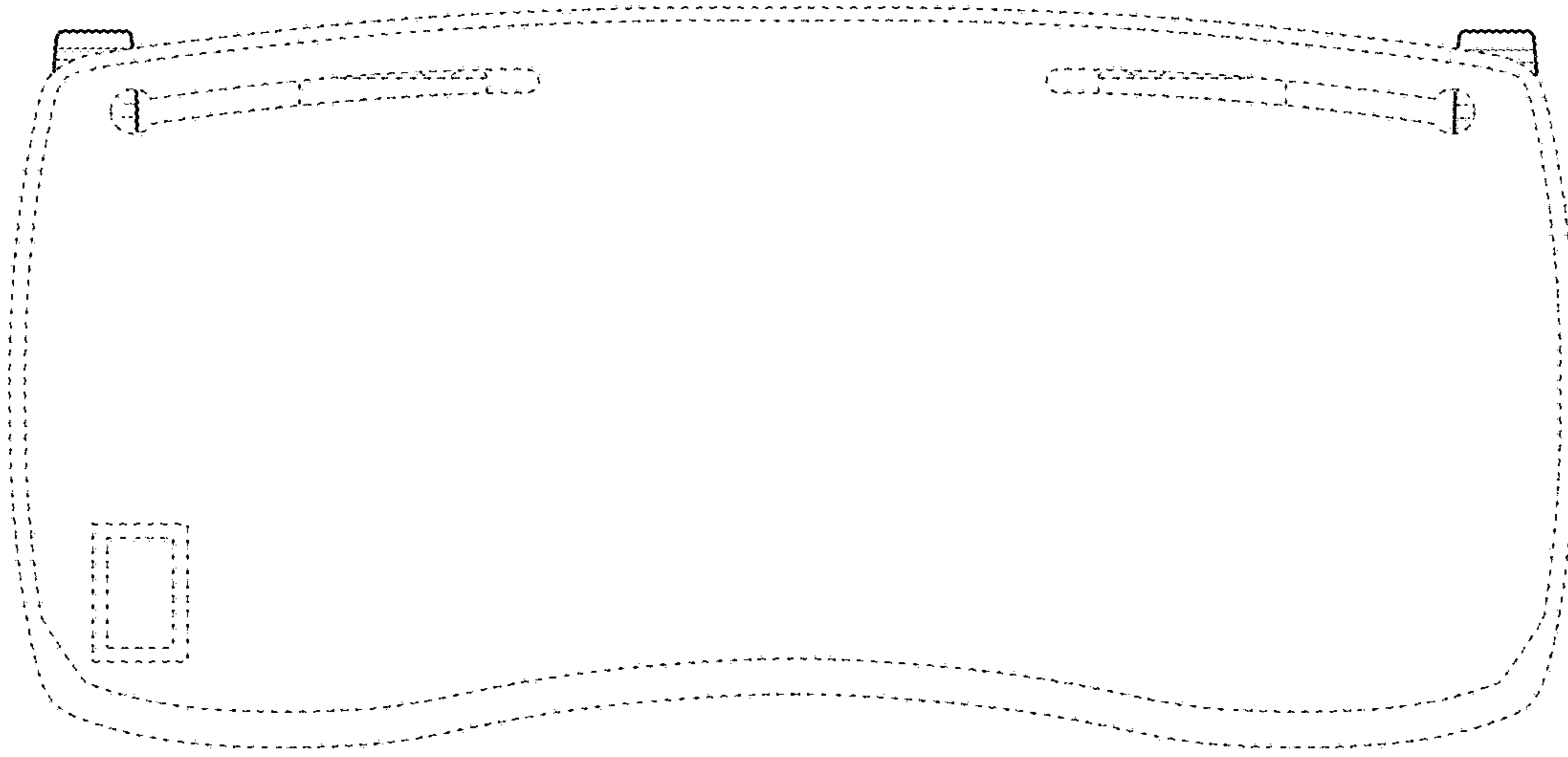


FIG. 6

