



US00D795617S

(12) **United States Design Patent** (10) **Patent No.:** **US D795,617 S**
Shah et al. (45) **Date of Patent:** **** Aug. 29, 2017**

(54) **CABINET** D384,519 S * 10/1997 Bergelin D6/668.2
5,735,586 A 4/1998 Cheng
(71) Applicant: **NewAge Products, Inc.**, Vaughan (CA) D396,577 S * 8/1998 Zaidman D6/671.1
D409,613 S 5/1999 McGee
(72) Inventors: **Parag Shah**, Toronto (CA); **Frank Spano**, Toronto (CA); **Robert Vandenharm**, North York (CA) D439,782 S 4/2001 Melillo
D471,377 S 3/2003 Gledhill
(Continued)

(73) Assignee: **NEWAGE PRODUCTS, INC.**, Vaughan, Ontario (CA)
CA 2 167 256 A1 7/1997
CA 108997 11/2006
(***) Term: **15 Years** (Continued)

(21) Appl. No.: **29/590,670**
(22) Filed: **Jan. 12, 2017**
Related U.S. Application Data
(62) Division of application No. 29/491,497, filed on May 21, 2014.
(51) **LOC (10) Cl.** **06-06**
(52) **U.S. Cl.**
USPC **D6/703**
(58) **Field of Classification Search**
USPC D6/703, 703.3, 705.5, 657, 559, 661, D6/663, 664, 668, 668.1, 668.2, 671, D6/671.1-671.4; 312/138.1, 217, 224, 312/257.1, 293.2; D34/27; D3/247; D8/351
CPC A47B 88/22; A47B 17/04; A47B 53/02; A47B 67/00; A47B 67/02; A47B 67/04; A47B 67/005
See application file for complete search history.

(56) **References Cited**
U.S. PATENT DOCUMENTS
D95,158 S 4/1935 Surerus
D349,091 S 7/1994 Dickinson
D372,011 S 7/1996 Tyler
D373,989 S 9/1996 Dickinson

FOREIGN PATENT DOCUMENTS
CA 2 167 256 A1 7/1997
CA 108997 11/2006
(Continued)

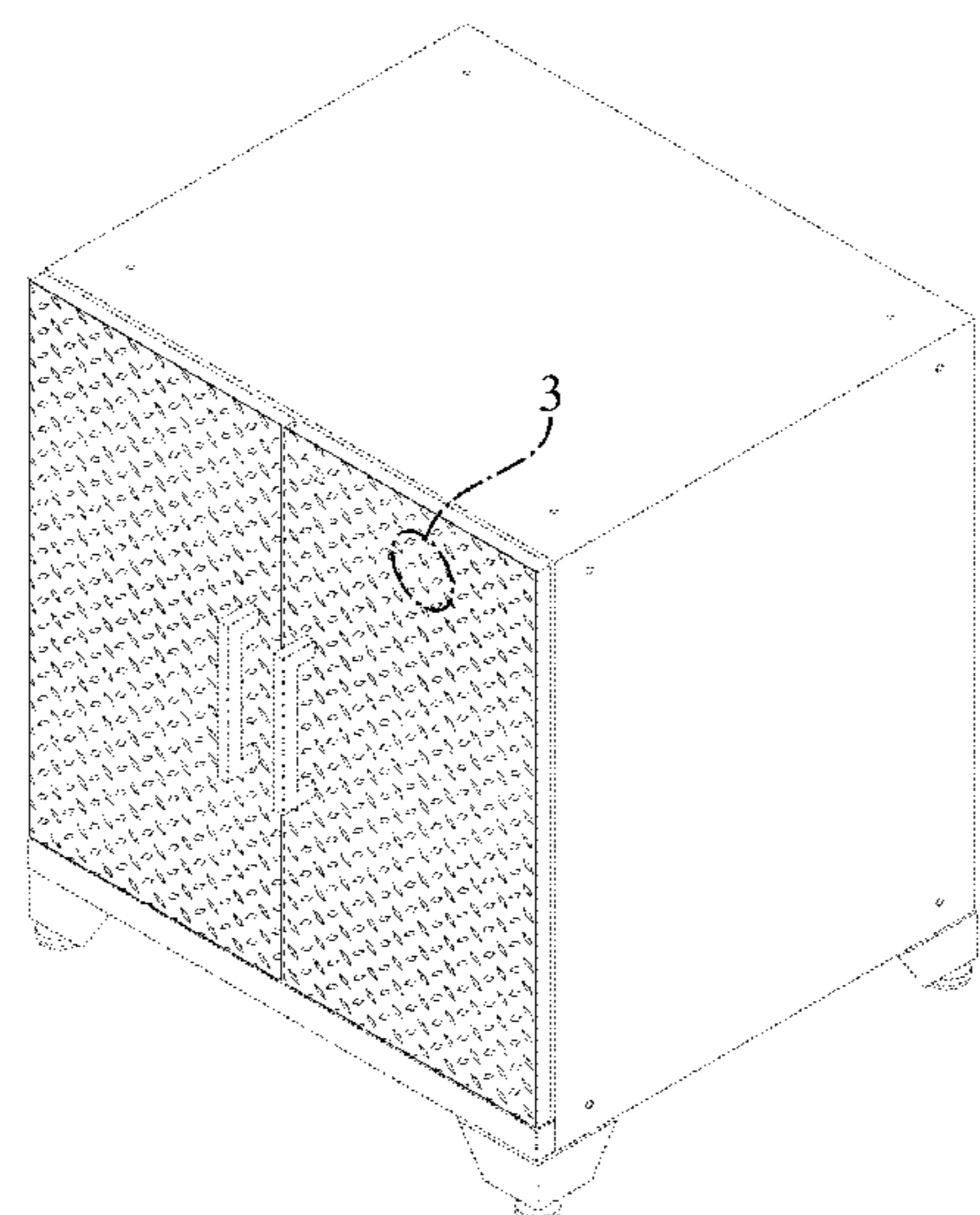
OTHER PUBLICATIONS
Garage Fabricators, "Installed Garage Setup", downloaded from www.garagefabricators.com on Jul. 17, 2013, 1 page.
(Continued)

Primary Examiner — Susan Bennett Hattan
Assistant Examiner — Rebecca Tsehaye
(74) *Attorney, Agent, or Firm* — Howard & Howard Attorneys PLLC

(57) **CLAIM**
An ornamental design for a cabinet, as shown and described.

DESCRIPTION
FIG. 1 is a right front perspective view of the design for a cabinet of the invention
FIG. 2 is a front elevational view of the cabinet of FIG. 1. The ornamental design is not visible in the rear view, top plan view, bottom view or side views; and,
FIG. 3 is an enlarged view of the pattern on the doors of the cabinet of FIG. 1.
The characteristic feature of the ornamental design resides in the use of a pattern on the doors of the cabinet.
The broken lines in the drawings depict parts of the cabinet that form no part of the claimed design.

1 Claim, 3 Drawing Sheets



(56)

References Cited

U.S. PATENT DOCUMENTS

D474,563 S * 5/2003 Bresciani D25/109
 6,764,144 B2 7/2004 Insalaco
 D495,912 S 9/2004 Schmidt
 D497,921 S 11/2004 Schmidt
 6,811,043 B2 11/2004 Perkins
 D500,059 S 12/2004 Schmidt
 D502,556 S 3/2005 Zimmerle
 D503,839 S 4/2005 Schmidt
 D503,840 S * 4/2005 Schmidt D34/27
 D505,237 S 5/2005 Schmidt
 D507,390 S 7/2005 Schmidt
 D507,914 S 8/2005 Schmidt
 D508,503 S 8/2005 Schmidt
 D508,504 S 8/2005 Schmidt
 D508,627 S 8/2005 Schmidt
 6,926,160 B2 8/2005 Perkins
 6,926,376 B2 8/2005 Arent
 D509,582 S 9/2005 Redetzke
 D510,831 S 10/2005 Schmidt
 D510,832 S 10/2005 Schmidt
 D513,809 S 1/2006 Zimmerle et al.
 D514,854 S 2/2006 Schmidt
 D515,342 S 2/2006 Schmidt
 D518,984 S 4/2006 Schmidt
 D520,784 S 5/2006 Schmidt
 D521,285 S 5/2006 Schmidt
 7,055,703 B2 6/2006 Perkins
 D524,679 S 7/2006 Gibbons
 D526,781 S 8/2006 Feldmann
 D527,212 S * 8/2006 Schmidt D6/703.3
 D528,337 S 9/2006 Schmidt
 7,140,701 B2 11/2006 Arent
 7,147,115 B2 12/2006 Perkins
 7,147,290 B2 12/2006 Arent
 7,150,591 B1 12/2006 Kent
 7,216,914 B2 5/2007 Lovell
 D543,741 S 6/2007 Gaska
 D544,259 S 6/2007 Schmidt
 7,228,977 B2 6/2007 Perkins
 D546,093 S * 7/2007 Boerner D6/671.1
 D546,597 S 7/2007 Schmidt
 D546,598 S 7/2007 Schmidt
 D547,577 S 7/2007 Gaska
 D547,636 S 7/2007 Bartrom
 D548,066 S 8/2007 Welch
 D548,502 S 8/2007 Gaska
 D548,508 S 8/2007 Tonelli
 D549,499 S 8/2007 Gaska
 D549,500 S 8/2007 Gaska
 D549,501 S 8/2007 Gaska
 D550,004 S 9/2007 Gaska
 D550,012 S 9/2007 Schmidt
 D551,883 S 10/2007 Gaska
 7,296,695 B2 11/2007 Perkins
 D561,080 S 2/2008 Soshkin
 D561,506 S 2/2008 Gaska
 D563,137 S 3/2008 Schmidt
 D563,699 S 3/2008 Schmidt
 D568,078 S * 5/2008 Kohagen D6/705.5
 D579,697 S 11/2008 Schmidt
 D586,595 S 2/2009 Gaska
 D587,503 S 3/2009 Schmidt
 D593,321 S 6/2009 Went
 D595,870 S 7/2009 Moller, Jr. et al.
 D595,983 S 7/2009 Schmidt
 D597,019 S 7/2009 Zarza
 D599,419 S 9/2009 Chiuchiarelli
 7,591,385 B2 9/2009 Brooks
 D603,161 S 11/2009 Harris
 D605,446 S 12/2009 Schmidt
 D611,252 S 3/2010 Fiscus
 7,686,353 B2 3/2010 Lewis
 D614,428 S 4/2010 Bauchet
 D614,898 S 5/2010 Schmidt
 D618,019 S 6/2010 Gaska

D618,020 S 6/2010 Gaska
 D621,193 S 8/2010 Bauchet
 D623,316 S 9/2010 Moore
 D623,881 S 9/2010 Schmidt
 7,866,490 B1 1/2011 Bellis
 D632,518 S 2/2011 Schmidt
 D635,378 S * 4/2011 Schmidt D6/703.3
 D637,849 S 5/2011 Schmidt
 D651,022 S 12/2011 Koehn
 D654,293 S 2/2012 Gaska
 D654,736 S 2/2012 Gaska
 D658,782 S 5/2012 Norris
 D664,379 S 7/2012 Schmidt
 D665,201 S 8/2012 Gaska
 D665,202 S 8/2012 Gaska
 D665,605 S 8/2012 Gaska
 D665,606 S 8/2012 Gaska
 D666,034 S 8/2012 Gaska
 D668,078 S 10/2012 Daino
 D670,510 S 11/2012 Daino
 D677,080 S 3/2013 Schmidt
 D677,081 S 3/2013 Schmidt
 D692,243 S 10/2013 Weaver et al.
 D696,160 S 12/2013 Kittoe
 D703,982 S * 5/2014 Schmidt D6/703.3
 D715,578 S 10/2014 Swandal et al.
 D734,070 S 7/2015 Zhao
 D734,071 S 7/2015 Zhao
 D737,603 S * 9/2015 Shah D6/671.1
 2004/0074856 A1 4/2004 Gros
 2005/0145707 A1 7/2005 Leni

FOREIGN PATENT DOCUMENTS

CA	105998	3/2007
CA	112522	3/2007
CA	133276	7/2010
CA	136910	6/2011
CA	137677	10/2011

OTHER PUBLICATIONS

Garage Fabricators, "Wall Cabinet", downloaded from www.garagefabricators.com on Jul. 17, 2013, 2 pages.
 Hayneedle, "Excel 10 Drawer Roller Tool Combo", downloaded on Jul. 16, 2013, 2 pages.
 Remline, "Remline 41 inch 21 drawer Tread Plate Chest/Cabinet Combo", downloaded from www.homedepot.com on Jul. 12, 2013, 2 pages.
 Remline, "Remline 17950/93905-DS 10-Drawer XQL Roller Cabinet and 5-Drawer XQL Roller Cabinet with Ball Bearing Slides", downloaded from www.sears.com on Jul. 12, 2013, 1 page.
 Remline, "Remline Locker with 2 Adjustable Shelves", downloaded from www.walmart.com on Jul. 12, 2013, 1 page.
 Remline, "Catalog: Remline Tool Storage—The Professional's Choice", downloaded Jul. 12, 2013, 5 pages.
 Remline, "Remline Professional 5-Drawer 26" Tread Plate Roller Cabinet", downloaded from www.walmart.com on Jul. 12, 2013, 1 page.
 Remline, "Remline Tread", downloaded from www.walmart.com on Jul. 12, 2013, 2 pages.
 Tools in Stock, "Topchest 5 Drawer with Ball Bearing Runners Tread Plate", downloaded from www.toolsinstock.com on Jul. 17, 2013, 3 pages.
 Universal Pit Products, "8 Foot Base Cabinet/Desk", 2012, downloaded from www.pitproducts.com on Jul. 12, 2013, 2 pages.
 Whirlpool Corporation, Brochure: Gladiator Storage & Organization—Fully Welded Construction, 2009, 6 pages.
 Whirlpool Corporation, Brochure: Gladiator Garageworks—How to Get Started Transforming Your Garage, 2007, 29 pages.
 Whirlpool Corporation, Gladiator Medium Garage 25 Piece Package, downloaded on Jul. 12, 2013, 2 pages.
 Whirlpool Corporation, Gladiator Small Garage 4 Piece Package, downloaded on Jul. 12, 2013, 1 page.

(56)

References Cited

OTHER PUBLICATIONS

Whirlpool Corporation, Gladiatore Small Garage 5 Piece Package,
downloaded on Jul. 12, 2013, 1 page.

* cited by examiner

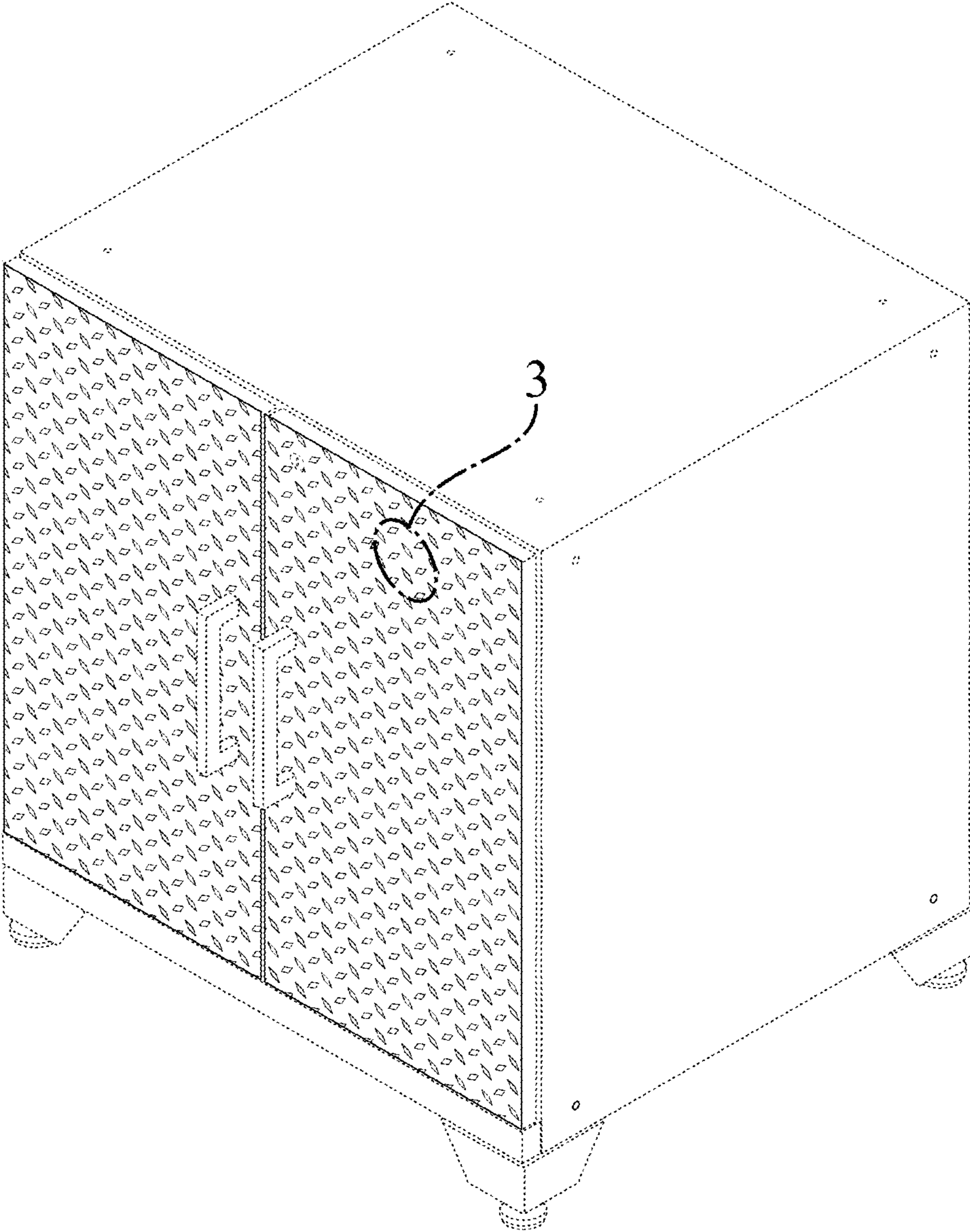


FIG. 1

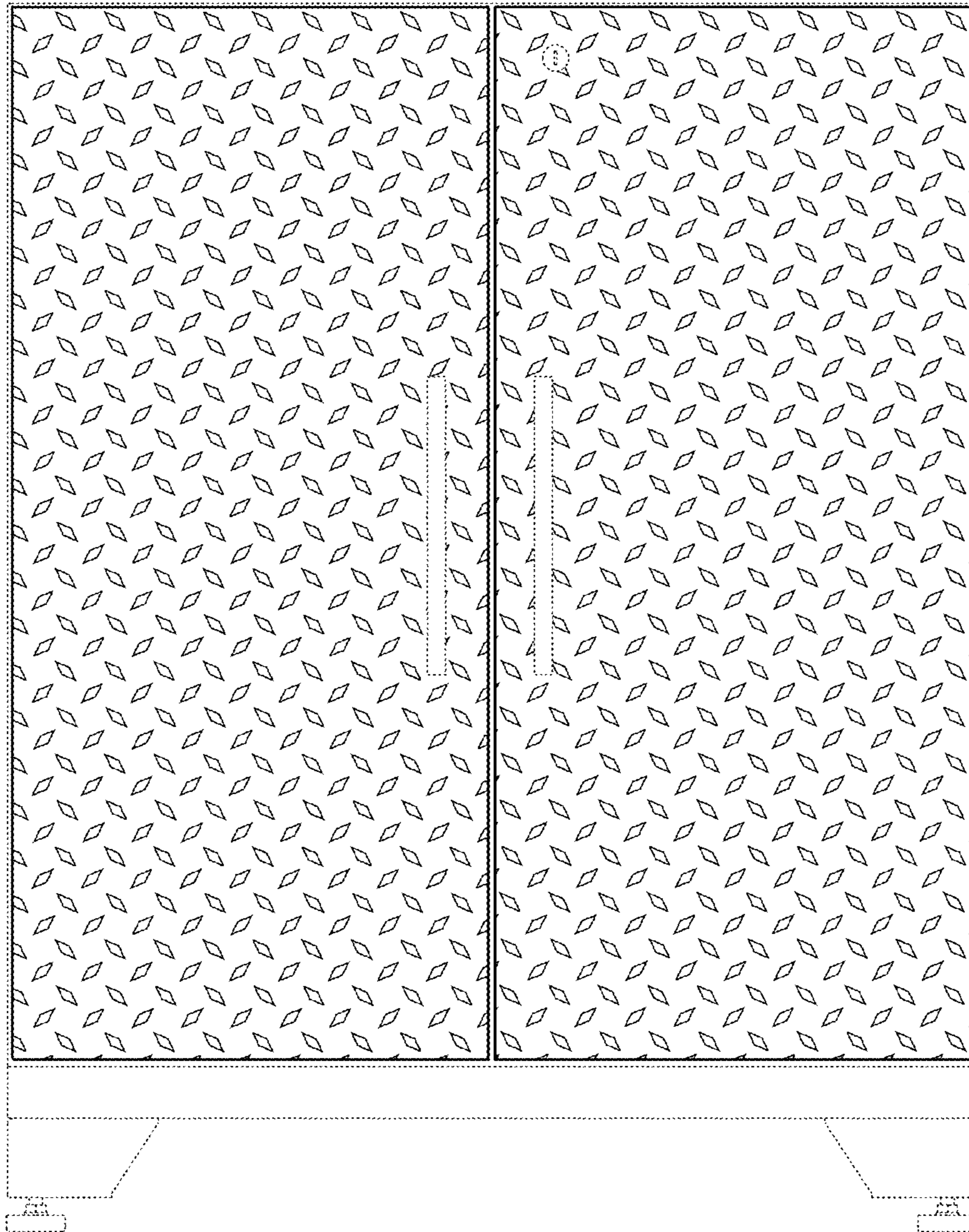


FIG. 2

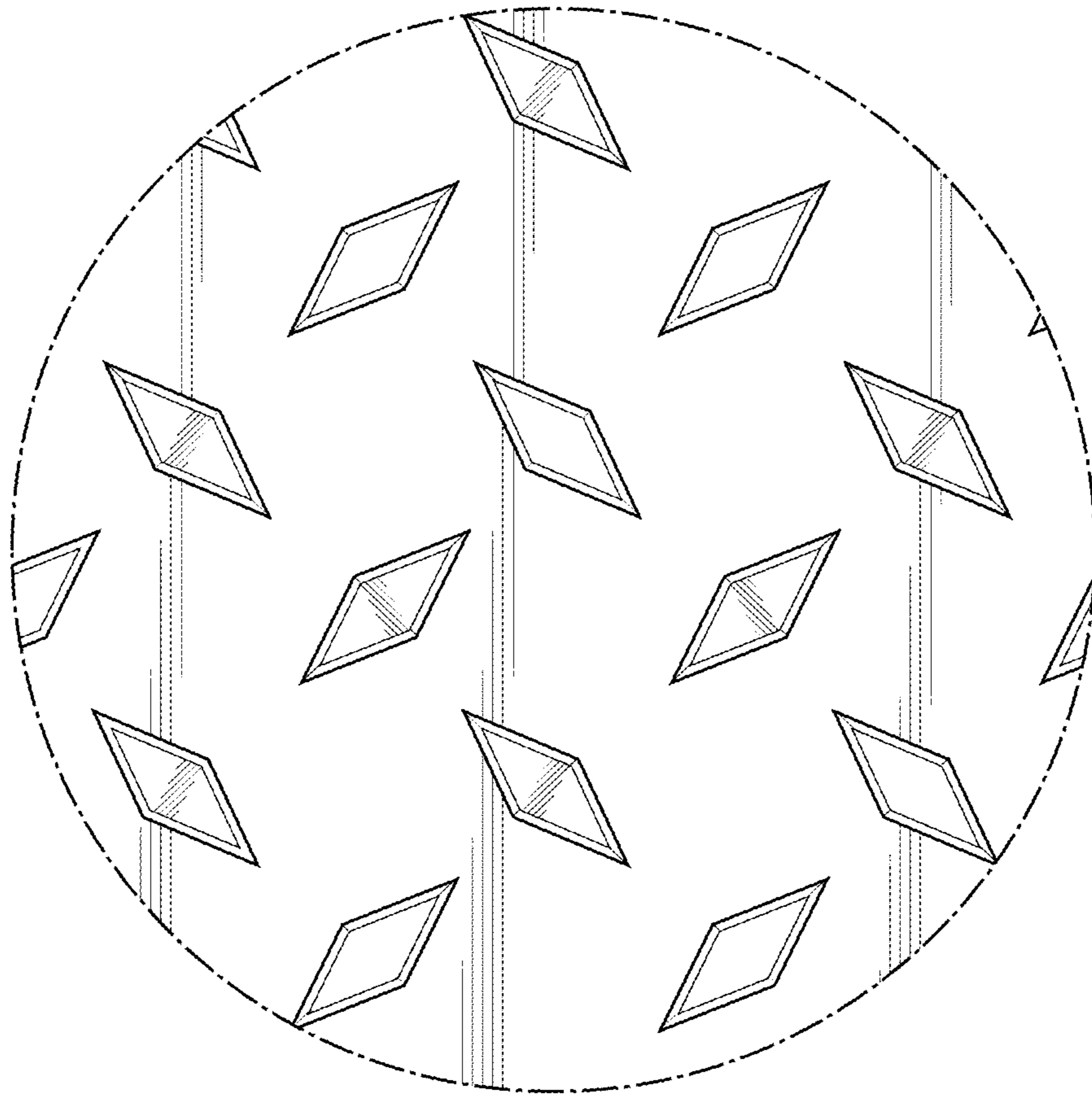


FIG. 3