



US00D795616S

(12) **United States Design Patent** (10) **Patent No.:** **US D795,616 S**
Muller (45) **Date of Patent:** **** Aug. 29, 2017**

(54) **ACCENT TABLE**
(71) Applicant: **Elite Manufacturing Corporation,**
Santa Fe Springs, CA (US)
(72) Inventor: **Carl Muller,** Seal Beach, CA (US)
(73) Assignee: **Elite Manufacturing Corporation,**
Santa Fe Springs, CA (US)

D313,708 S * 1/1991 Frank D6/690
D644,456 S * 9/2011 Martin D6/690
D646,081 S 10/2011 Muller
D650,204 S 12/2011 Muller
D655,950 S * 3/2012 Kvello D6/691.7
D716,597 S * 11/2014 Muller D6/708.17
D720,161 S * 12/2014 Udagawa D6/656.13
D731,216 S * 6/2015 Sorel D6/690
D778,645 S * 2/2017 Merritt D6/691

(**) Term: **15 Years**
(21) Appl. No.: **29/563,831**

(22) Filed: **May 9, 2016**
(51) **LOC (10) Cl.** **06-03**
(52) **U.S. Cl.**
USPC **D6/695**
(58) **Field of Classification Search**
USPC D6/671, 675, 677, 685, 687, 690, 691,
D6/691.1, 691.2, 691.3, 691.4, 691.5,
D6/691.9, 693, 695, 695.2, 696, 697, 698,
D6/699, 699.2, 703, 707, 708, 709, 709.2
CPC A47B 7/00; A47B 13/08; A47B 13/10;
A47B 21/00; A47B 2009/006; A47B
11/00
See application file for complete search history.

(56) **References Cited**
U.S. PATENT DOCUMENTS
D242,587 S * 12/1976 Sklaroff D6/656.15
D260,836 S * 9/1981 de Polo D6/691.3
D276,100 S * 10/1984 Middleton D6/672
D288,637 S * 3/1987 Winzeler, III D34/21
D290,072 S * 6/1987 Winzeler, III D6/691.4
D299,601 S * 1/1989 Campbell D6/406.2
D310,145 S * 8/1990 Williams D6/691.3

OTHER PUBLICATIONS

www.allmodern.com; "Bink Mobile Media Side Table" by BDI USA; Aug. 10, 2016.

* cited by examiner

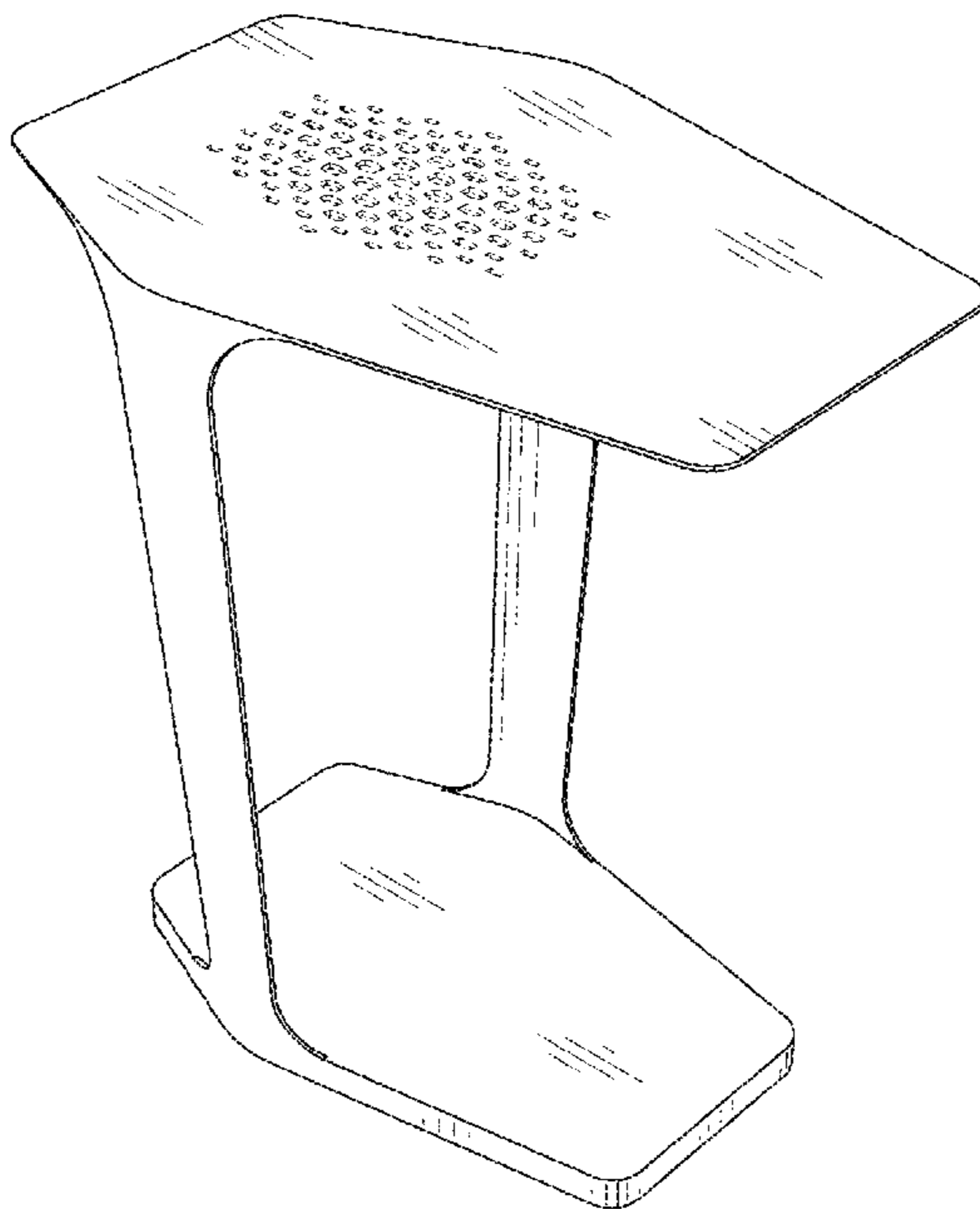
Primary Examiner — Mary Ann Calabrese
Assistant Examiner — Sloan Rozin
(74) *Attorney, Agent, or Firm* — Stetina Brunda Garred & Brucker

(57) **CLAIM**
The ornamental design for an accent table, as shown and described.

DESCRIPTION

FIG. 1 is a front perspective view of the accent table of the present invention showing my new design;
FIG. 2 is a top plan view thereof;
FIG. 3 is a front elevational view thereof;
FIG. 4 is a right side elevational view thereof;
FIG. 5 is a left side elevational view thereof;
FIG. 6 is a rear elevational view thereof; and,
FIG. 7 is a bottom plan view thereof.
The broken line showing of elements on the table illustrate portions of the article and form no part of the claimed design.

1 Claim, 3 Drawing Sheets



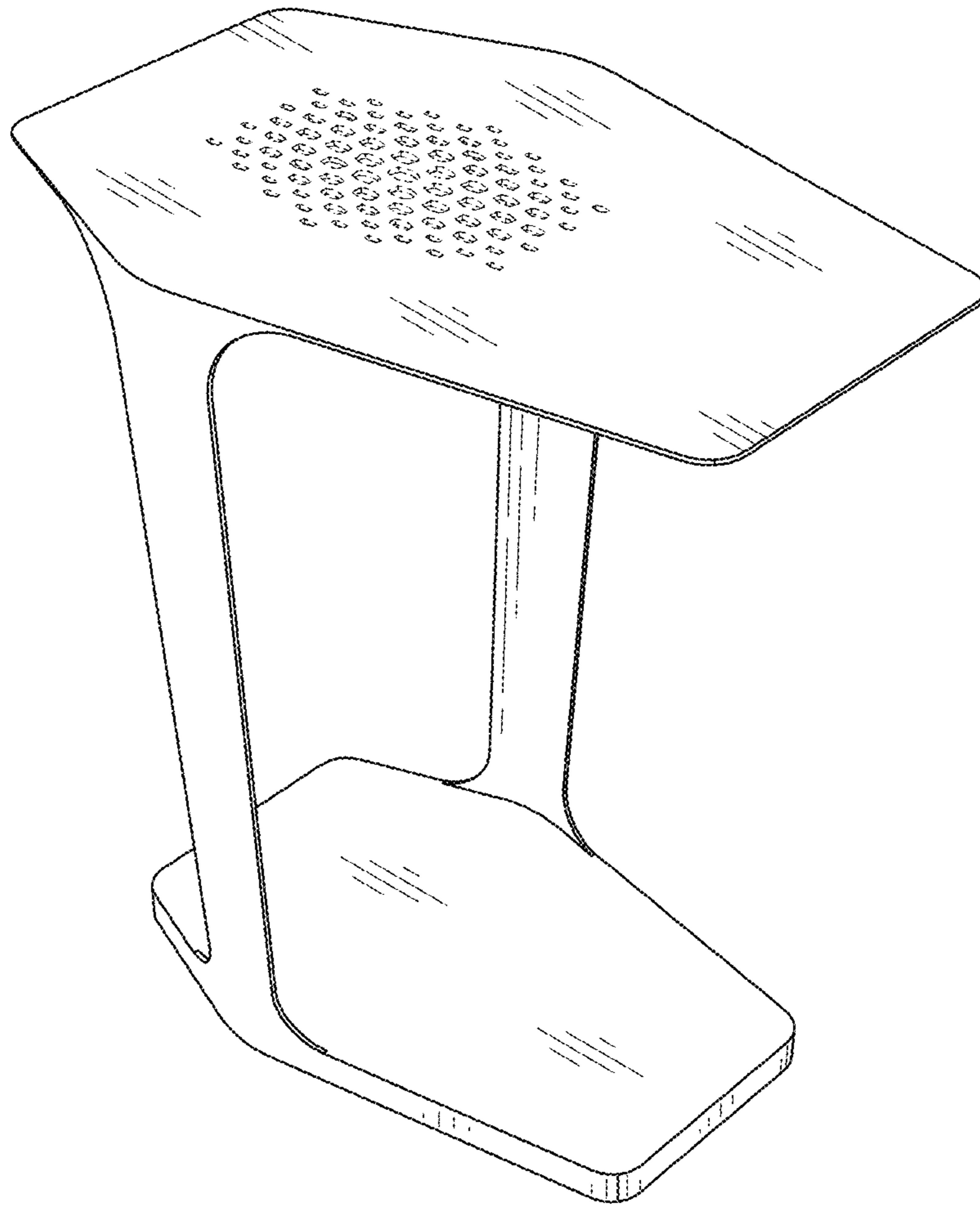


FIG. 1

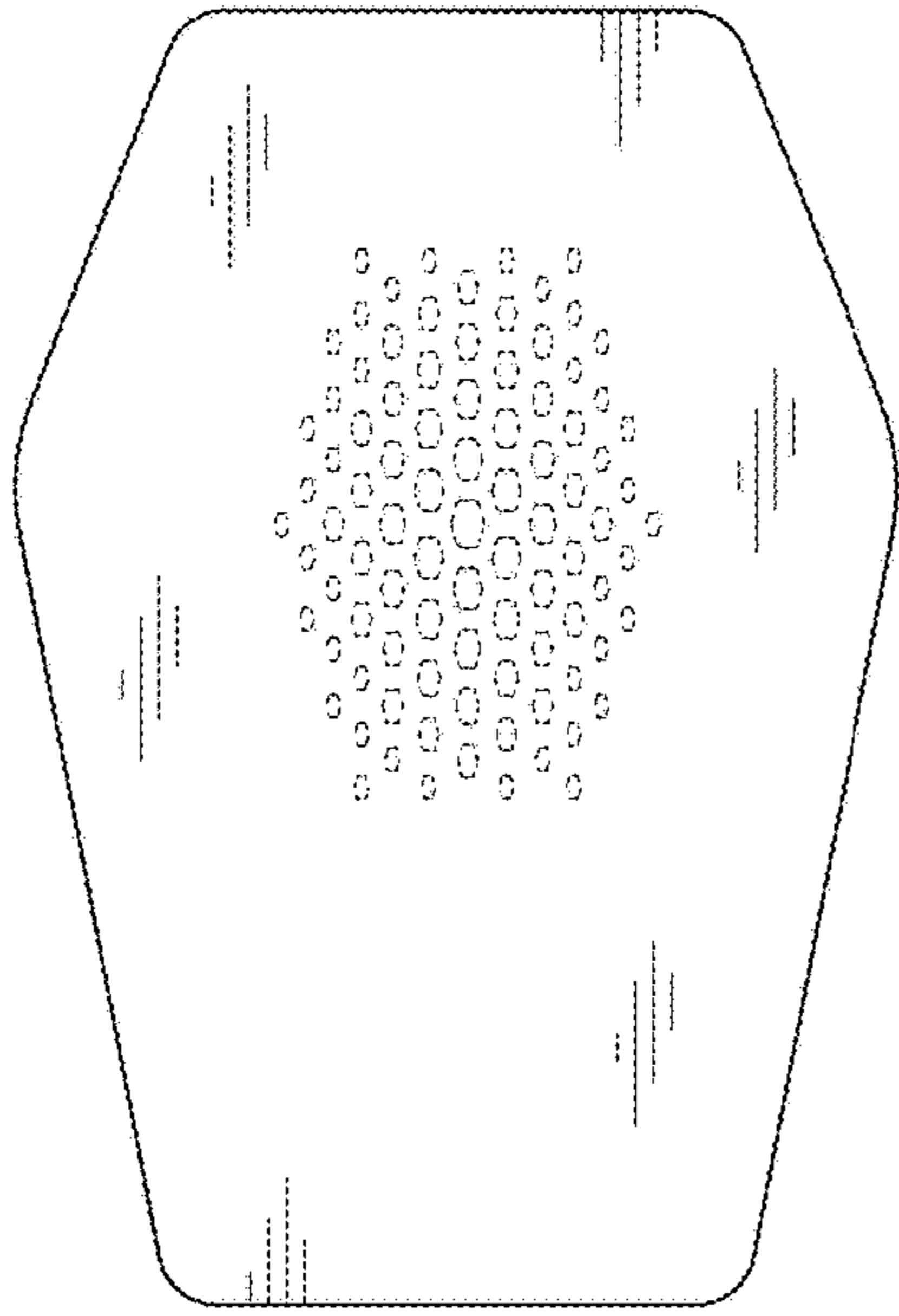


FIG. 2

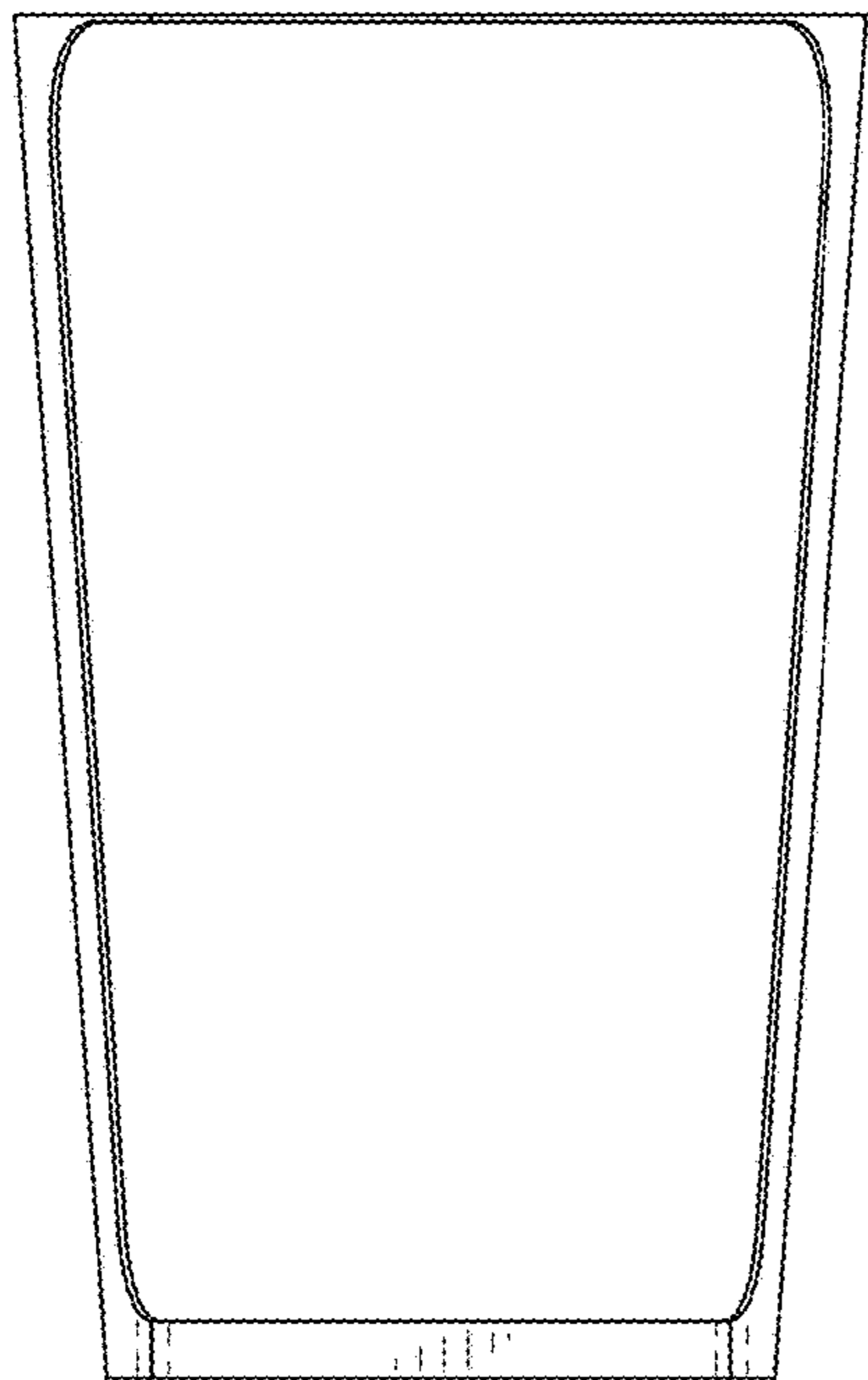


FIG. 3

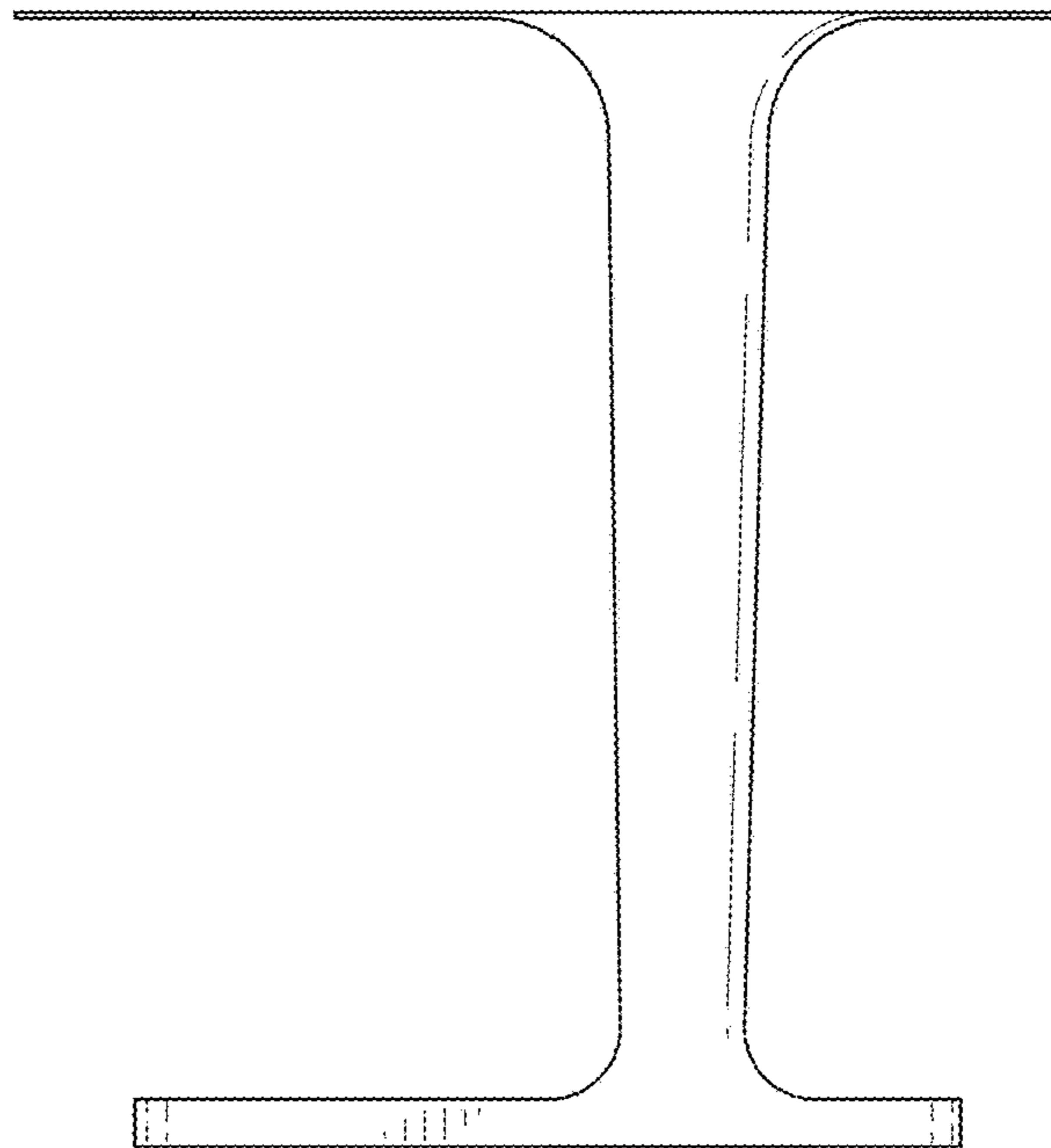


FIG. 4

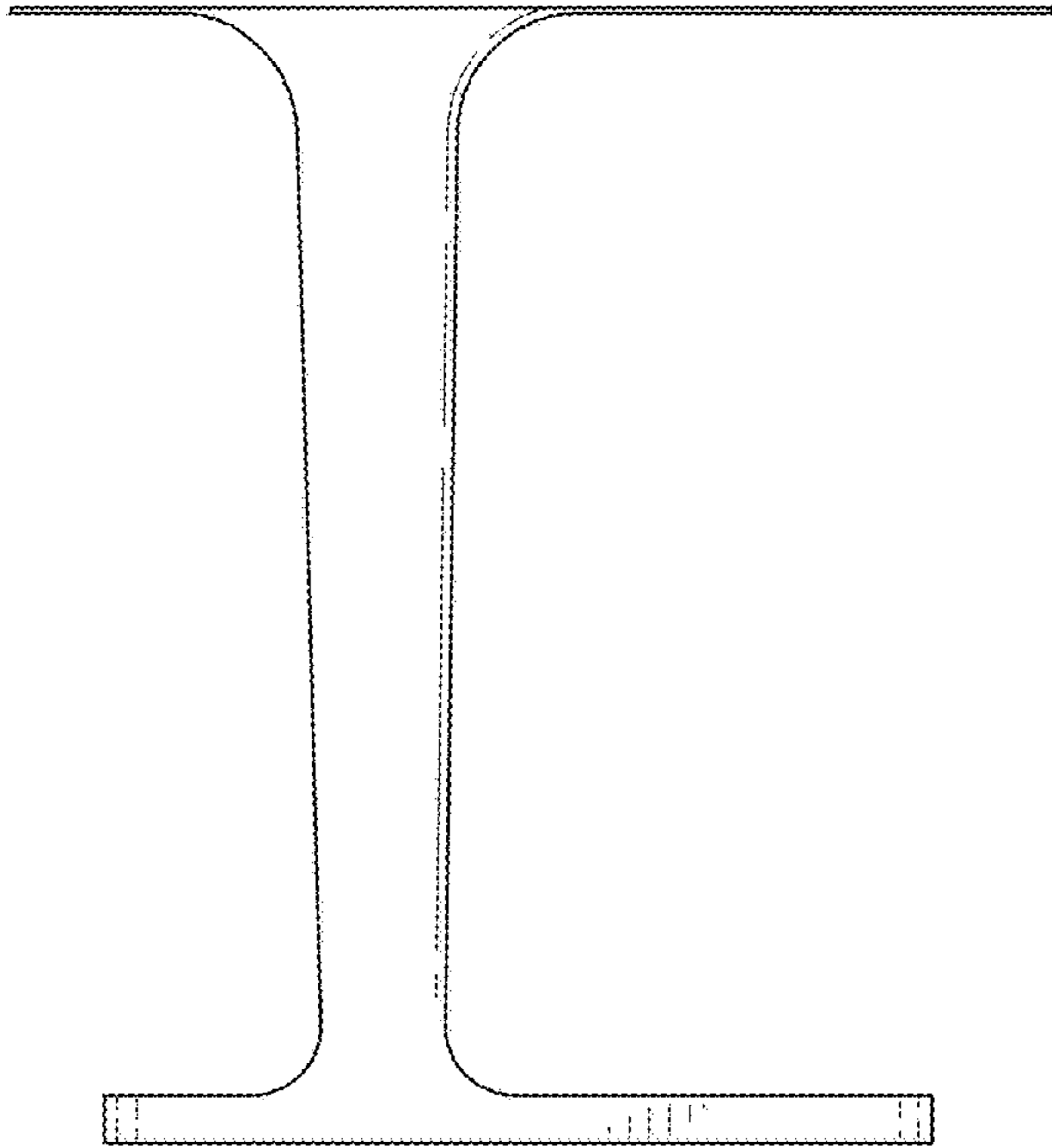


FIG. 5

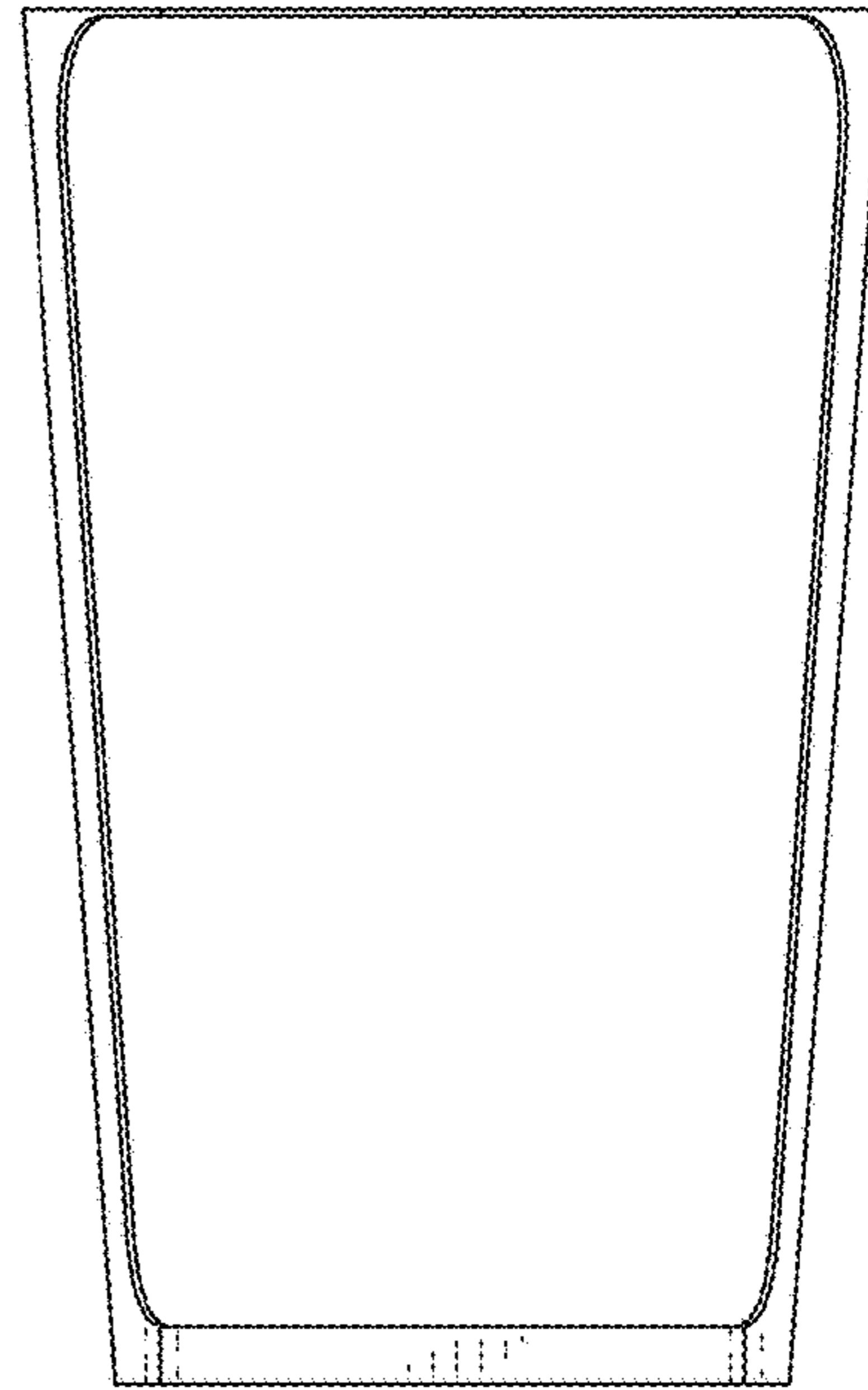


FIG. 6

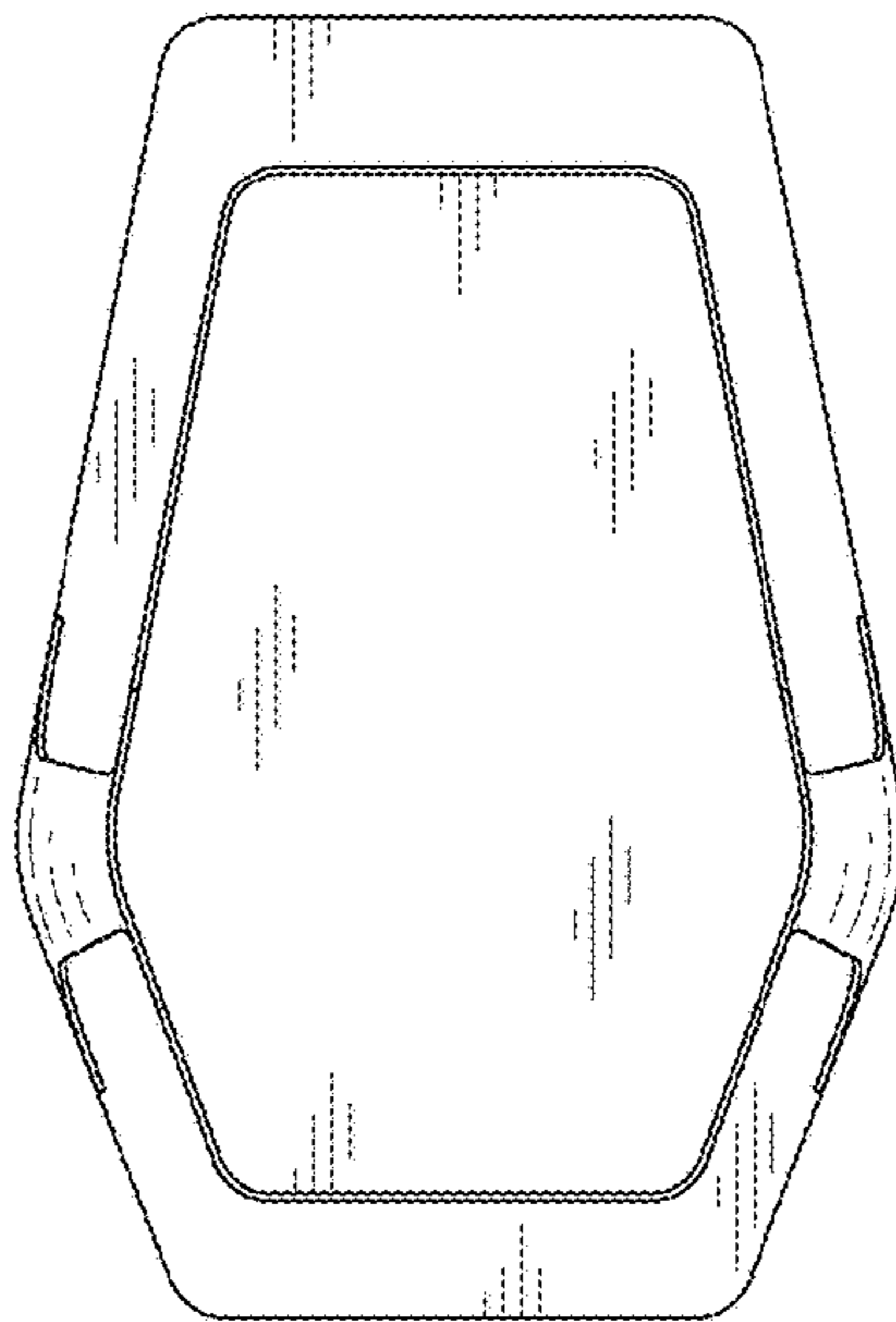


FIG. 7