



US00D795615S

(12) **United States Design Patent** (10) **Patent No.:** **US D795,615 S**
Kitajima (45) **Date of Patent:** **** Aug. 29, 2017**

(54) **MAGAZINE RACK**

(71) Applicant: **Okamura Corporation**, Yokohama-shi, Kanagawa (JP)

(72) Inventor: **Haruhiko Kitajima**, Yokohama (JP)

(73) Assignee: **Okamura Corporation**, Yokohama-shi, Kanagawa (JP)

(**) Term: **15 Years**

(21) Appl. No.: **29/555,525**

(22) Filed: **Feb. 23, 2016**

(30) **Foreign Application Priority Data**

Aug. 26, 2015 (JP) 2015-018705

(51) **LOC (10) Cl.** **06-06**

(52) **U.S. Cl.**
USPC **D6/675**

(58) **Field of Classification Search**
USPC D6/672, 673, 675, 682, 682.1, 683, D6/683.1; D19/75, 90; D9/737, 312, D9/314

CPC A47B 47/00; A47B 47/0021; A47F 1/00; A47F 7/14; B65G 1/00; B65G 37/00

See application file for complete search history.

(56) **References Cited**

U.S. PATENT DOCUMENTS

D229,142 S * 11/1973 Pascale D6/682
D241,797 S * 10/1976 Kocsis D6/675.1

D247,538 S * 3/1978 Kocsis D6/683.1
D256,641 S * 9/1980 Wilson D6/684
D622,520 S * 8/2010 Grandidier D6/683.1
D655,221 S * 3/2012 Adams D11/155
8,756,859 B2 * 6/2014 Adams A01G 9/02
47/18
D737,721 S * 9/2015 Janse D11/156
D740,716 S * 10/2015 Fenn D11/156

* cited by examiner

Primary Examiner — Kelley Donnelly

(74) *Attorney, Agent, or Firm* — Sughrue Mion, PLLC

(57) **CLAIM**

The ornamental design for a magazine rack, as shown and described.

DESCRIPTION

FIG. 1 is a perspective view of a magazine rack.

FIG. 2 is a front elevation view thereof. A rear elevation view is identical to the front elevation view.

FIG. 3 is a right side elevation view thereof. A left side elevation view is identical to the right side elevation view.

FIG. 4 is a top plan view thereof.

FIG. 5 is a bottom plan view thereof.

FIG. 6 is an enlarged cross-sectional view taken along the line 6-6 of the portion 6' in FIG. 2, which omits the internal structure; and,

FIG. 7 is an enlarged cross-sectional view taken along the line 7-7 of the portion 6'-7' in FIGS. 2 and 4.

1 Claim, 7 Drawing Sheets

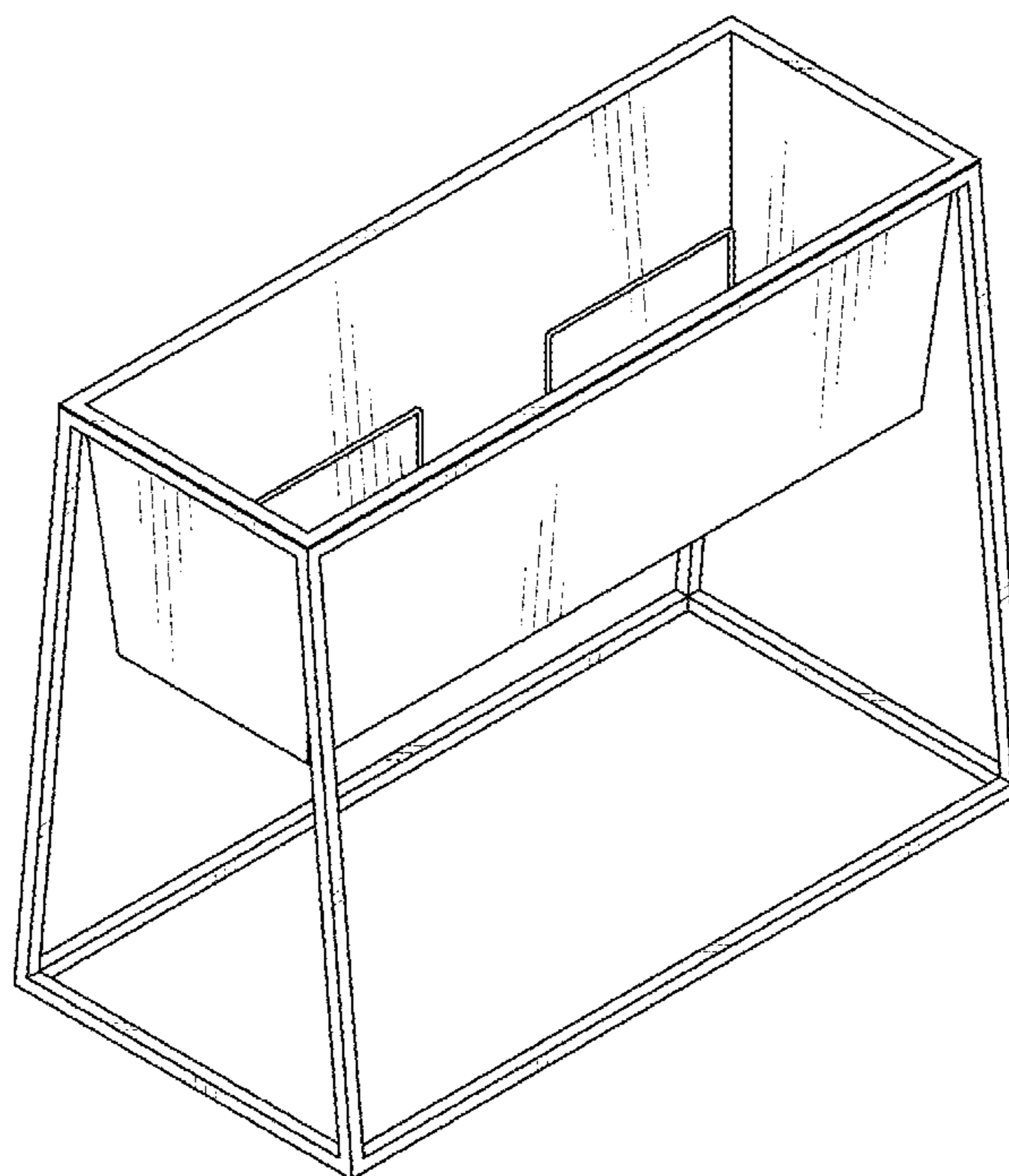


FIG. 1

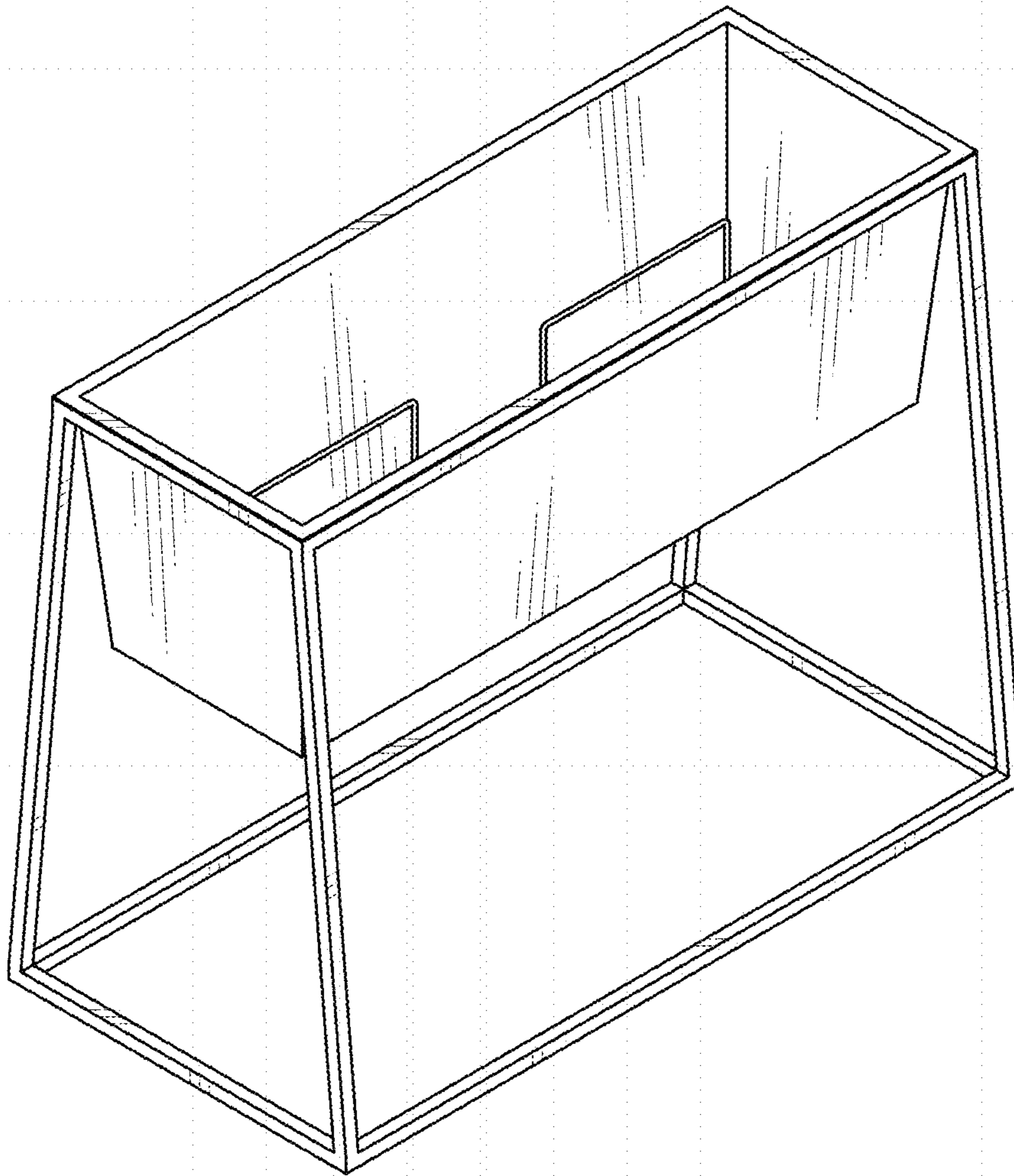


FIG. 2

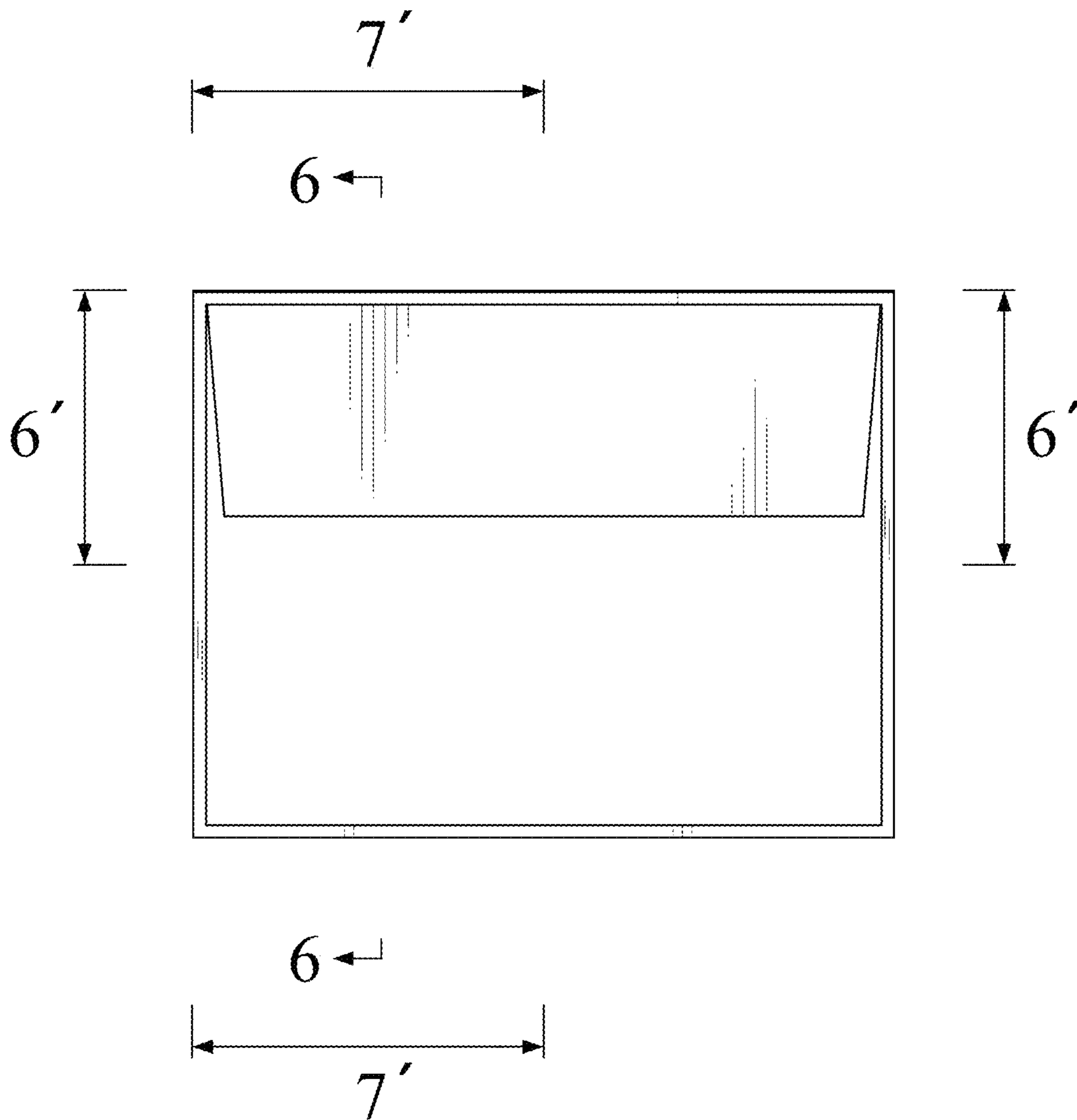


FIG. 3

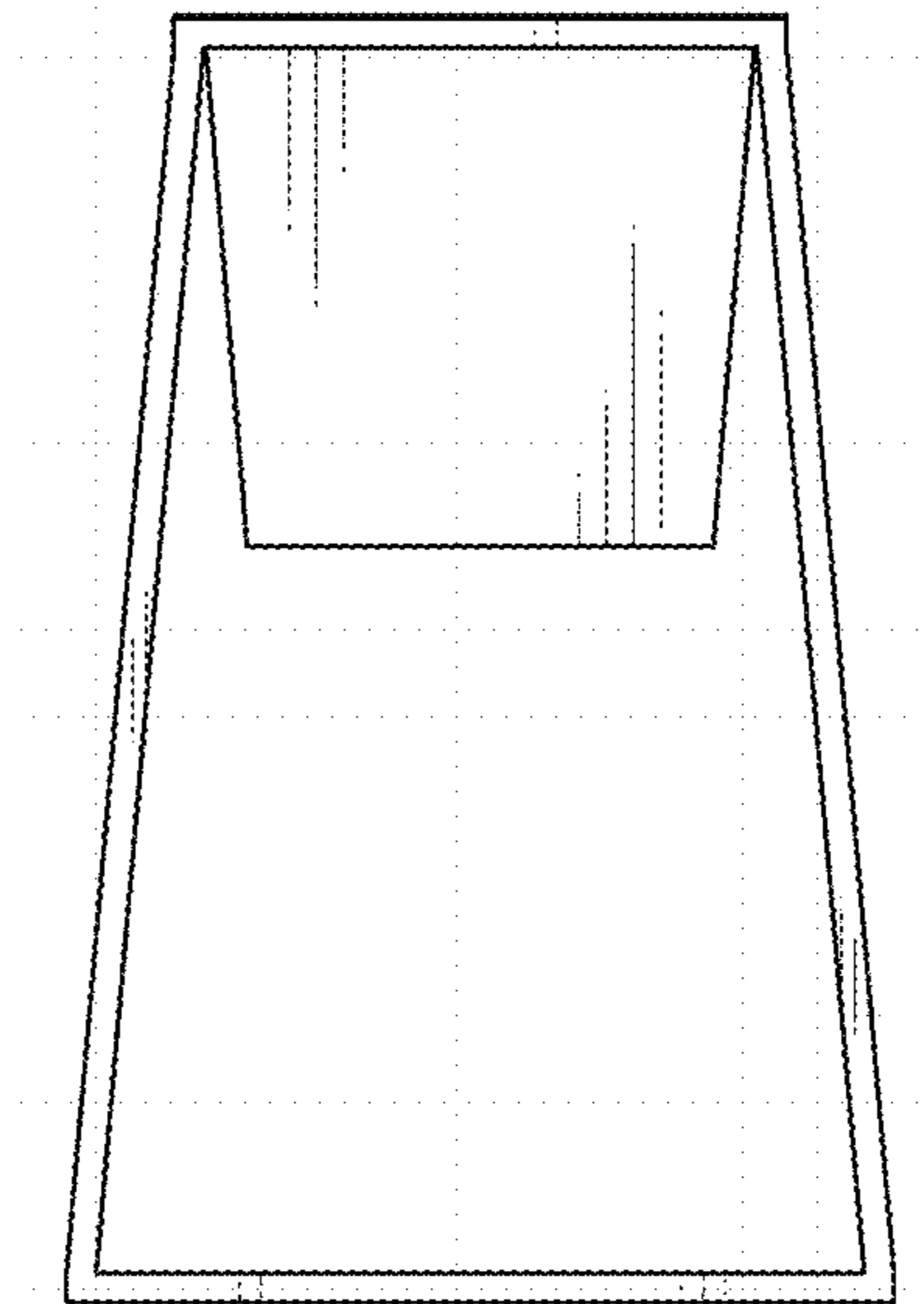


FIG. 4

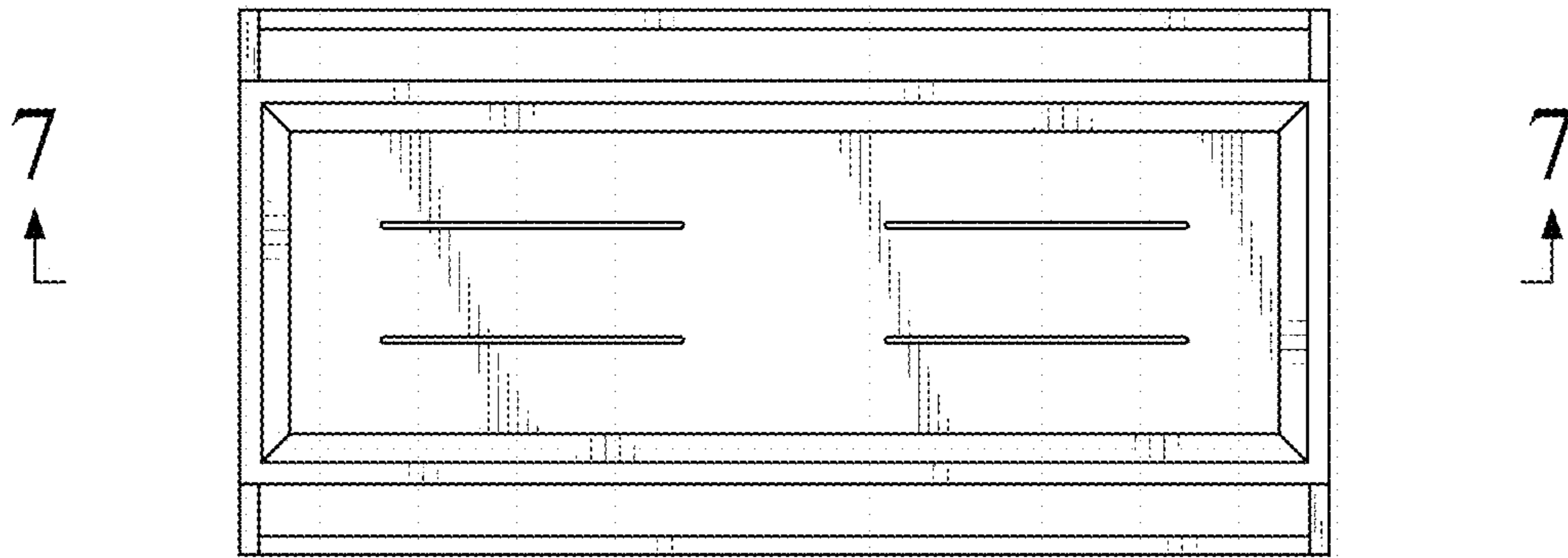


FIG. 5

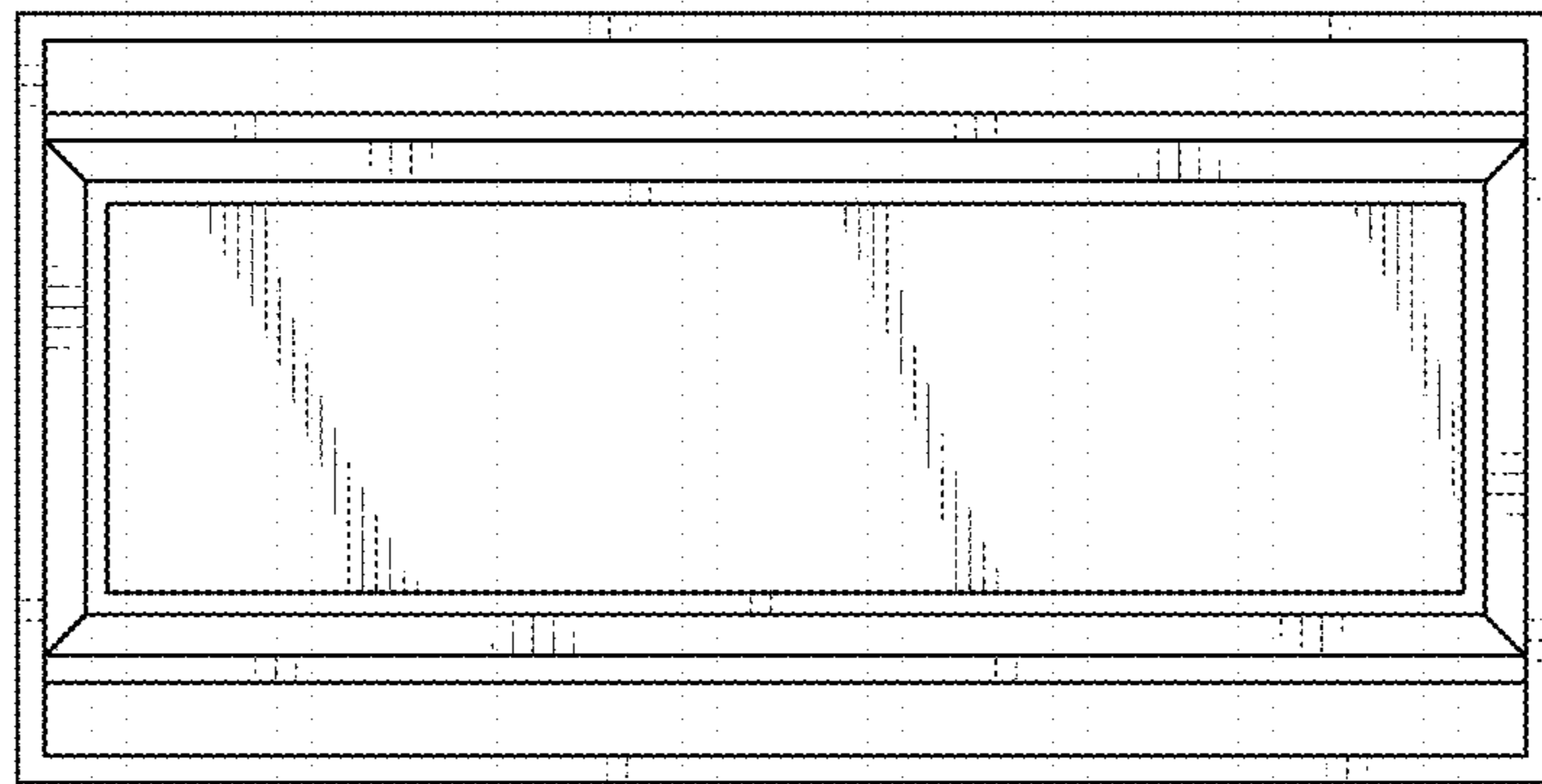


FIG. 6

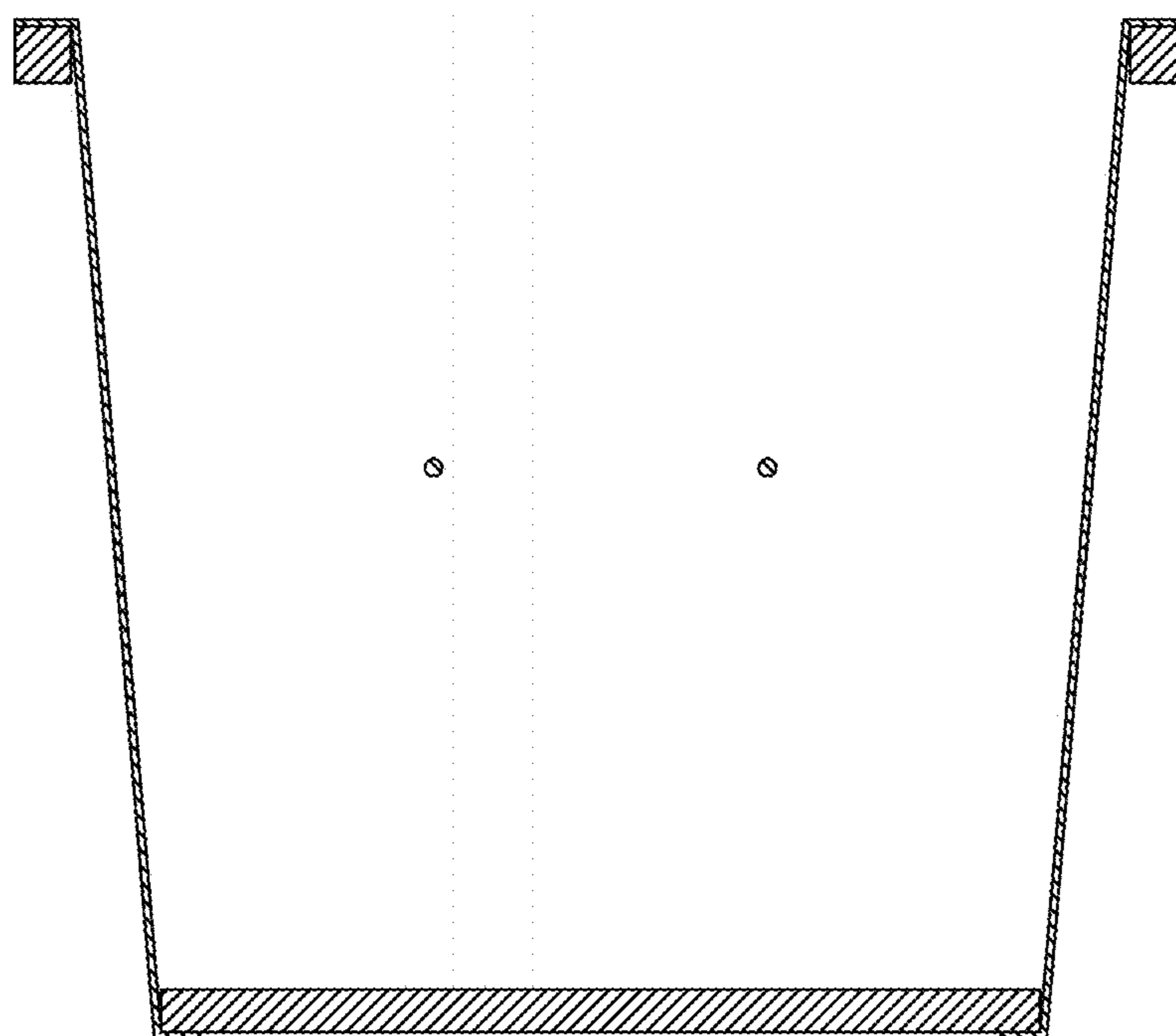


FIG. 7

