

US00D795614S

(12) **United States Design Patent** (10) **Patent No.:** **US D795,614 S**
Thuma et al. (45) **Date of Patent:** **** Aug. 29, 2017**

(54) **RESIN CABINET**

(71) Applicant: **Suncast Technologies, LLC**, Palm Beach Gardens, FL (US)

(72) Inventors: **Michael Thuma**, La Grange, IL (US); **Torrence Anderson**, Overland Park, KS (US); **Brian C. Donnelly**, Naperville, IL (US); **Michael R. Vogler**, Oswego, IL (US)

(73) Assignee: **Suncast Technologies, LLC**, Palm Beach Gardens, FL (US)

(**) Term: **15 Years**

(21) Appl. No.: **29/568,939**

(22) Filed: **Jun. 22, 2016**

(51) **LOC (10) Cl.** **06-04**

(52) **U.S. Cl.**
USPC **D6/671.1**

(58) **Field of Classification Search**
USPC D6/663, 559-561, 699, 334-336, 349, D6/351, 352, 358, 360, 364, 365, 366, D6/374, 375, 379, 380, 611, 632, 657, D6/662.1, 668.1, 668.2, 669, 671.1, 672, D6/674, 675, 675.1, 675.3, 683, 683.1, D6/685, 691, 691.5, 702, 703, 703.1, 708, D6/708.2, 708.21, 708.25, 716, D6/716.1-716.4; D3/304, 307, 309, 288; D7/333; D23/286, 343, 342; D24/227-230; D25/48.4, 113, 163; D13/184; D15/127; D12/402
CPC A47B 97/00; A47B 67/02; A47B 81/005; A47B 81/00; A47B 77/02; A47B 47/05; A47B 87/005; A47B 96/16; A47F 7/02; A47F 3/002; A47F 5/08; A47G 1/02; A47G 1/12; A47G 1/00; A47G 29/12; B42F 17/00; G09F 1/12; A45C 11/16; A45C 13/02; B60N 2/60; B60N 2/2881; B60N 2/6018; B60N 2/6036; E05C 19/001; E05C 7/04; E05B 53/001; H05K 9/0062

See application file for complete search history.

(56) **References Cited**

U.S. PATENT DOCUMENTS

D158,930	S	*	6/1950	Burgold	312/303
D305,708	S	*	1/1990	Newhouse	D6/668.2
D431,733	S	*	10/2000	Zimmerman	D6/671.1
D496,540	S	*	9/2004	Moon	D6/671.1
D520,264	S	*	5/2006	Mehmen	D6/668.1
D536,202	S	*	2/2007	Mehmen	D6/703.1
D624,633	S	*	9/2010	Watts	D23/286

(Continued)

OTHER PUBLICATIONS

“Mayline Mobile Utility Cabinet with Steel Exterior 2160MU” Mar. 3, 2014, EngineerSupply, site visited Apr. 12, 2017 <<http://www.engineersupply.com/utility-cabinets.aspx>>.*

(Continued)

Primary Examiner — Kevin Rudzinski
Assistant Examiner — Paul Bohannon
(74) *Attorney, Agent, or Firm* — McHale & Slavin, P.A.

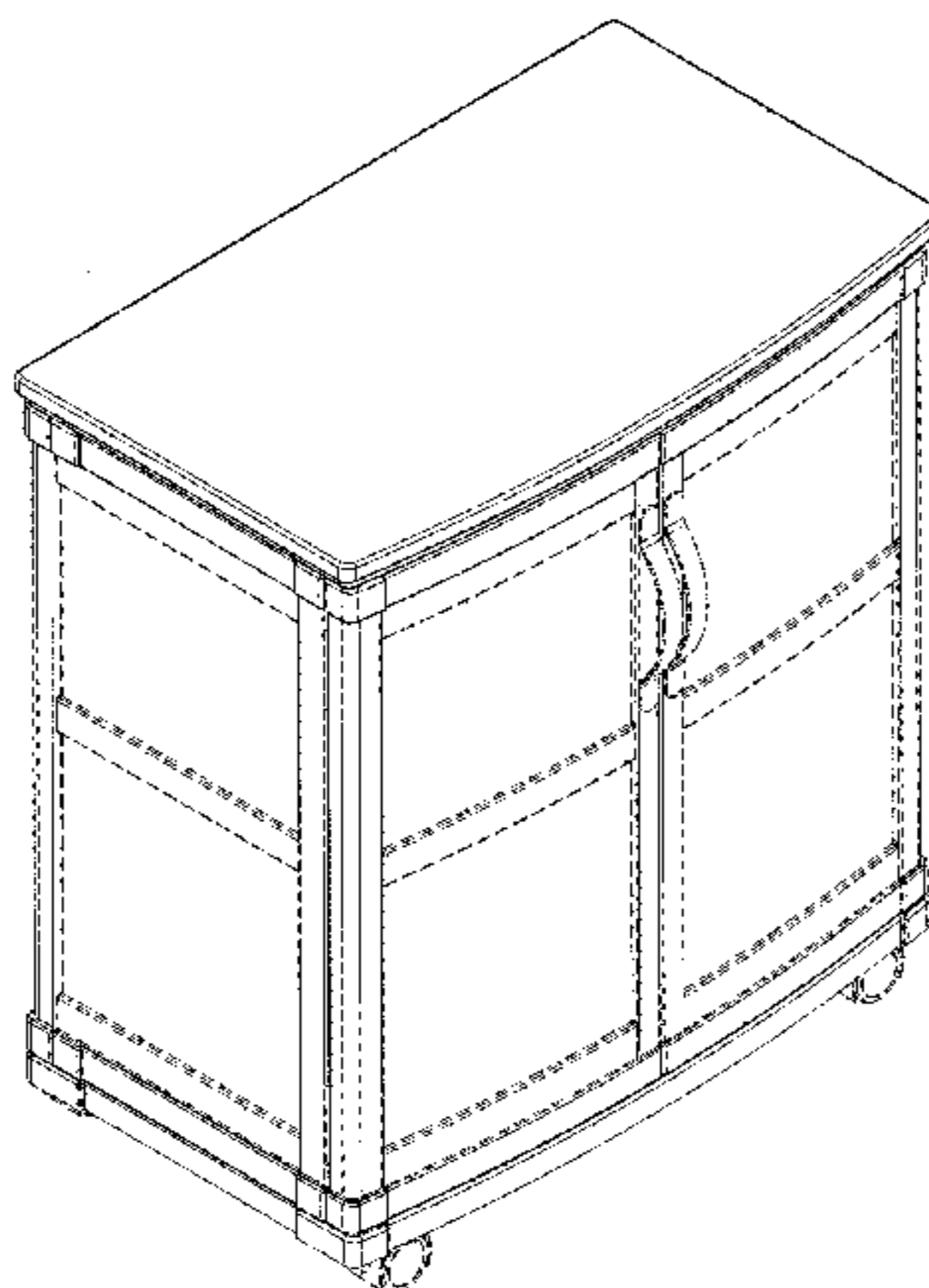
(57) **CLAIM**

The ornamental design for a resin cabinet, as shown and described.

DESCRIPTION

FIG. 1 is a top right isometric view of the resin cabinet of the present invention;
FIG. 2 is a right side view thereof;
FIG. 3 is a left side view thereof;
FIG. 4 is a front view thereof;
FIG. 5 is a rear view thereof;
FIG. 6 is a top view thereof; and,
FIG. 7 is a top left isometric view thereof.
The portions of the resin cabinet illustrated in broken lines form no part of the claimed subject matter.

1 Claim, 7 Drawing Sheets



(56)

References Cited

U.S. PATENT DOCUMENTS

D651,020 S * 12/2011 Ussen D6/668.1
D658,217 S * 4/2012 Wenning D15/127
D670,510 S * 11/2012 Daino D6/668.2
D689,011 S * 9/2013 Isakov D12/402
D760,518 S * 7/2016 Shah D6/703
D779,858 S * 2/2017 Conn D6/669

OTHER PUBLICATIONS

“Sterilite 2-Shelf Storage Cabinet, 2-Pack” Apr. 5, 2014, Alibaba.com, site visited Apr. 14, 2017 <https://guide.alibaba.com/shop/sterilite-2-shelf-storage-cabinet-2-pack_1558775.html>.*

* cited by examiner

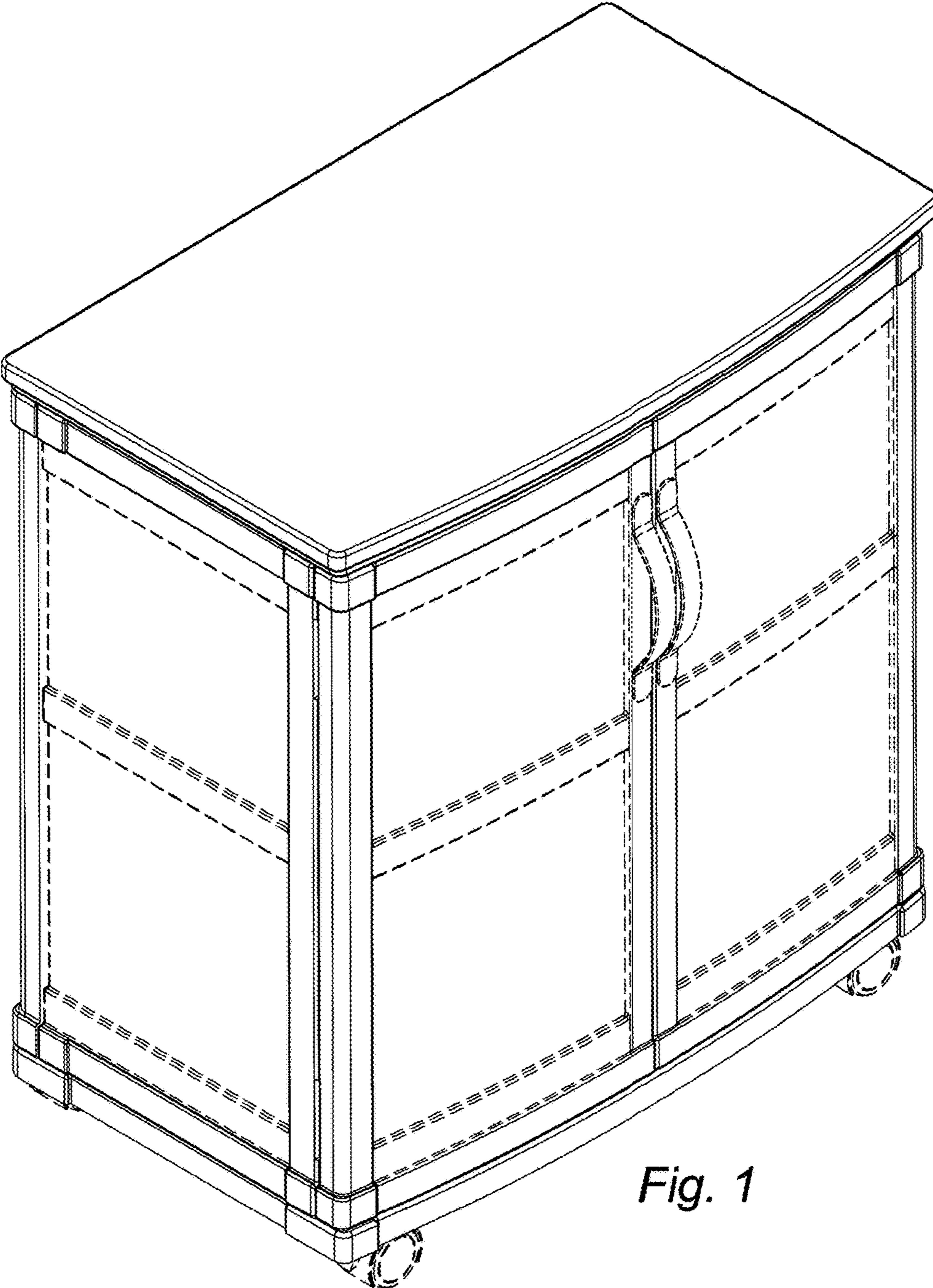


Fig. 1

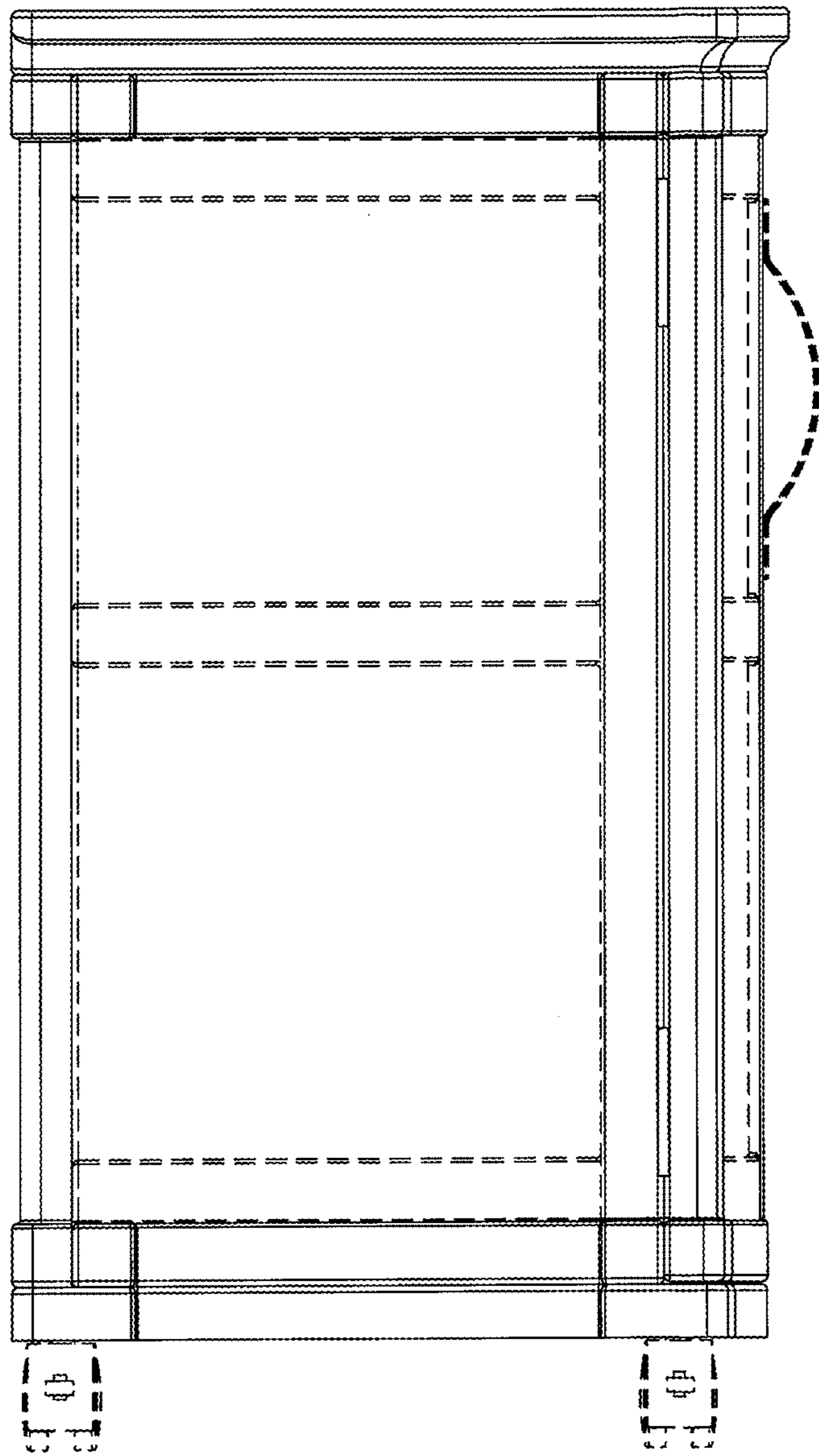


Fig. 2

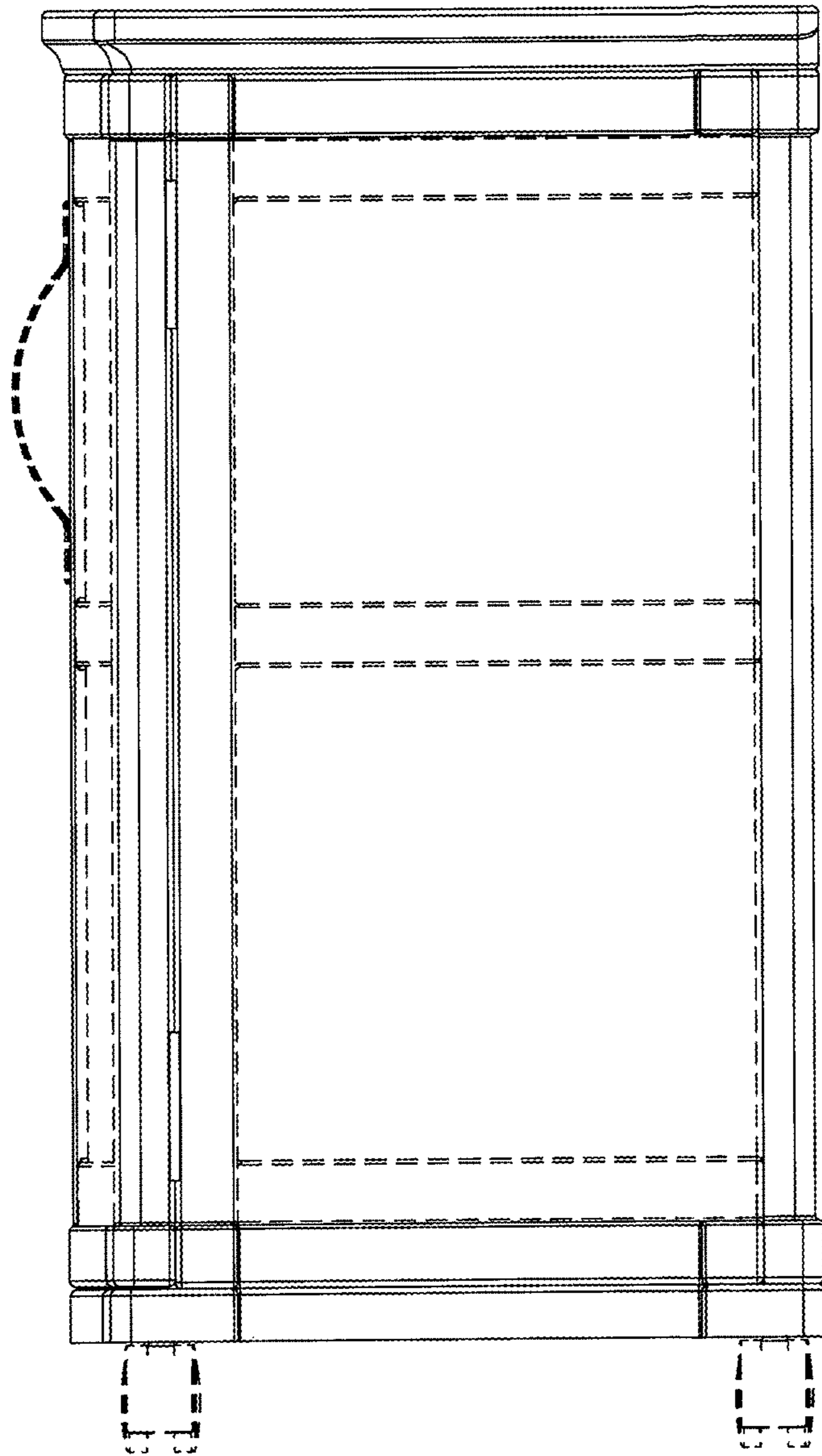


Fig. 3

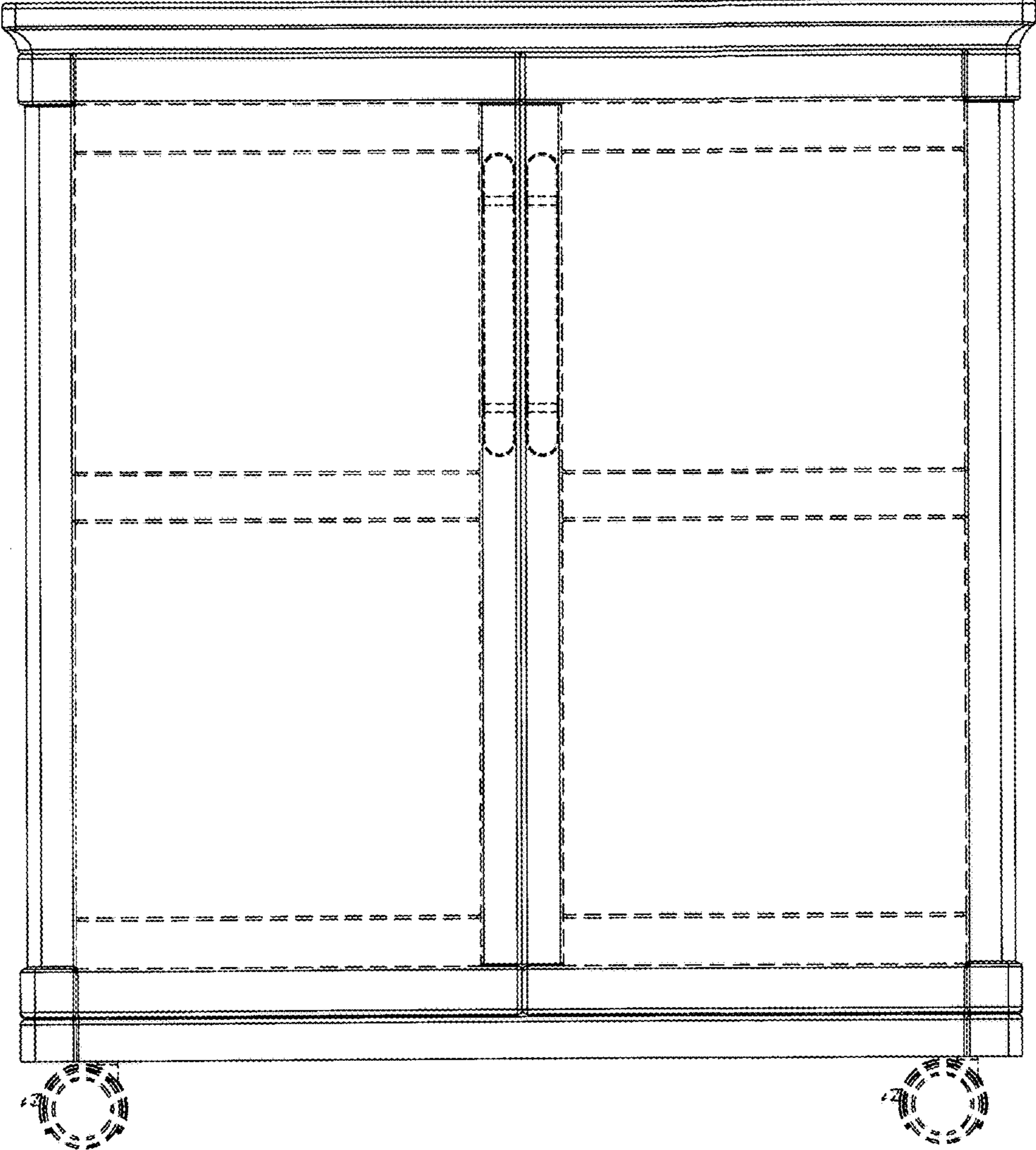


Fig. 4

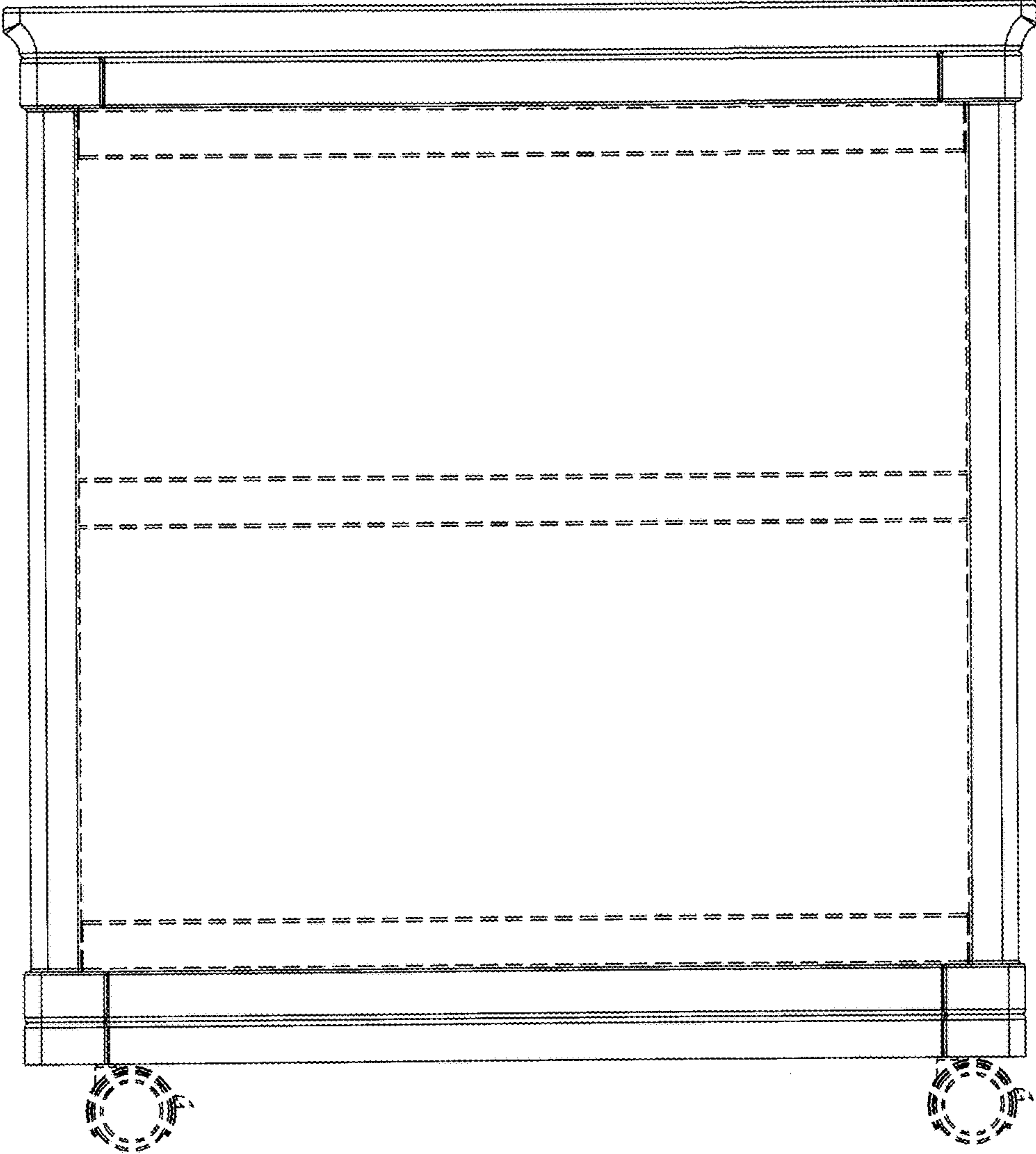


Fig. 5

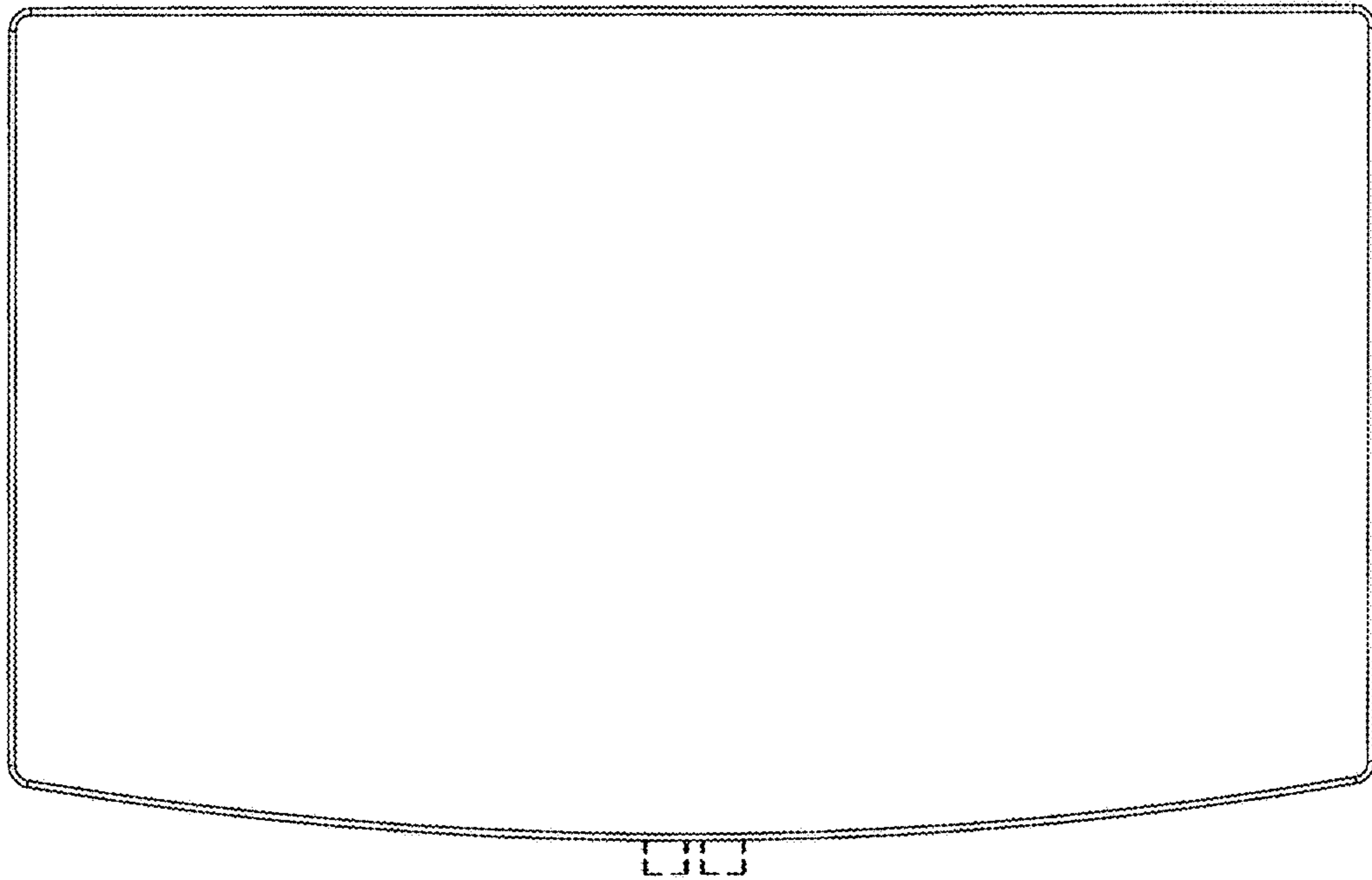


Fig. 6

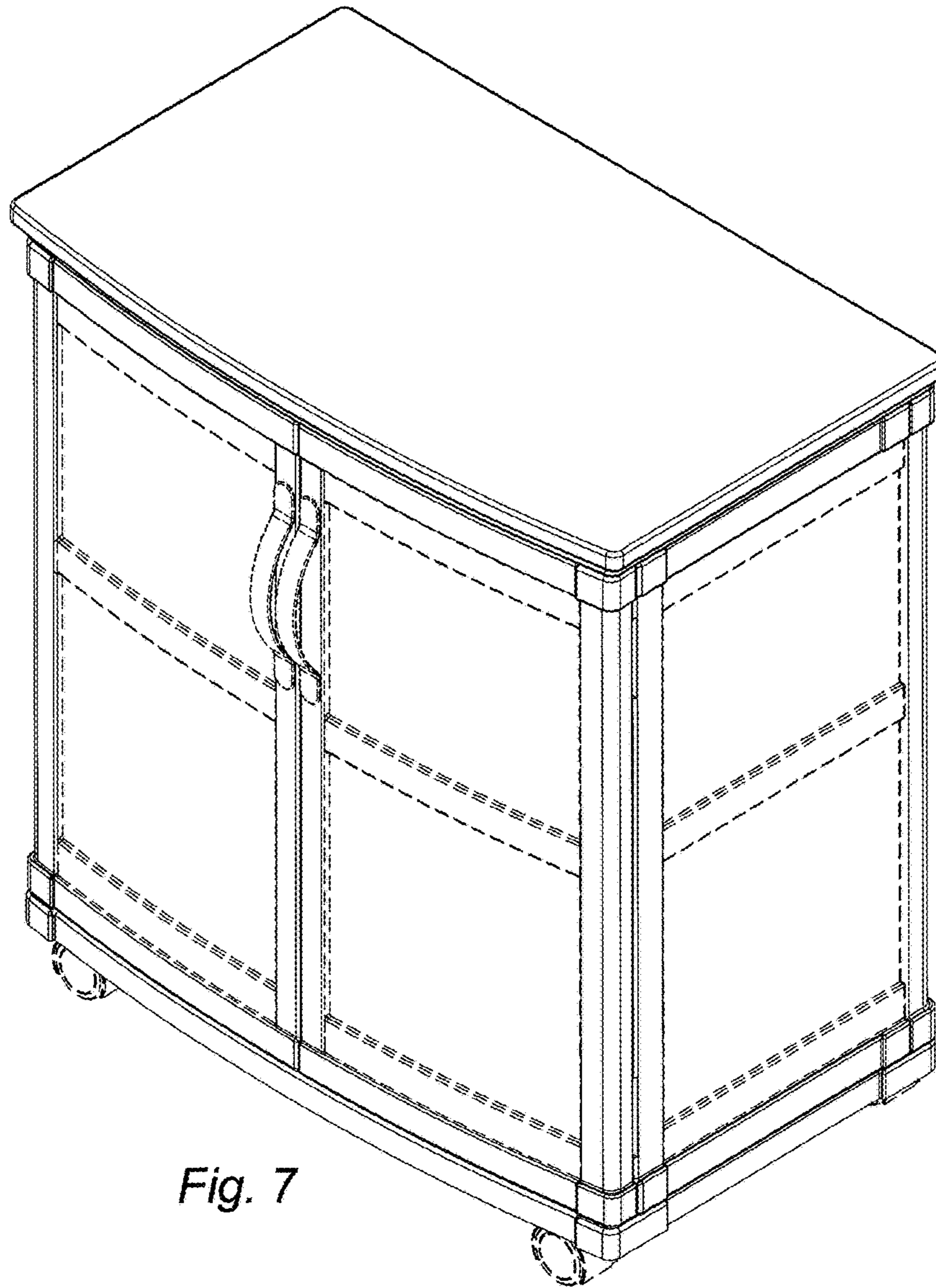


Fig. 7