



US00D795613S

(12) **United States Design Patent** (10) **Patent No.:** **US D795,613 S**
Hamm et al. (45) **Date of Patent:** **** Aug. 29, 2017**

(54) **DISPLAY STRUCTURE**

- (71) Applicant: **Apple Inc.**, Cupertino, CA (US)
- (72) Inventors: **Wesley Bryan Hamm**, San Francisco, CA (US); **Russell John Kaaihue Heirakuji**, Cupertino, CA (US); **Kevin Fenton Smeds**, San Francisco, CA (US); **Frank Craig Thaler**, Santa Cruz, CA (US); **Federico F. Tio**, Santa Cruz, CA (US)
- (73) Assignee: **Apple Inc.**, Cupertino, CA (US)
- (**) Term: **15 Years**
- (21) Appl. No.: **29/565,611**
- (22) Filed: **May 23, 2016**

Related U.S. Application Data

- (60) Continuation of application No. 29/489,107, filed on Apr. 25, 2014, now Pat. No. Des. 758,106, which is a continuation of application No. 29/471,331, filed on Oct. 30, 2013, now Pat. No. Des. 729,560, which is a continuation of application No. 29/419,471, filed on Apr. 27, 2012, now Pat. No. Des. 693,156, which is a division of application No. 29/406,695, filed on Nov. 17, 2011, now Pat. No. Des. 679,521, which is a continuation of application No. 29/393,349, filed on Jun. 2, 2011, now Pat. No. Des. 657,978, which is a continuation of application No. 29/393,288, filed on Jun. 1, 2011, now Pat. No. Des. 678,696.
- (51) **LOC (10) Cl.** **06-06**
- (52) **U.S. Cl.**
USPC **D6/657**
- (58) **Field of Classification Search**
USPC D6/657, 660-662, 662.1, 671, 672-673, D6/675-675.1
CPC A47B 47/04; A47B 81/00; A47B 81/061; A47B 81/06; A47B 81/067; A47F 3/00; A47F 3/005; A47F 5/0807
See application file for complete search history.

(56) **References Cited**

U.S. PATENT DOCUMENTS

D144,844 S	5/1946	Dunham	
D218,325 S	8/1970	Sherman	
4,116,509 A	9/1978	Smith	
D250,868 S *	1/1979	Ornatek D6/671.3
D274,203 S	6/1984	Everett	
D277,057 S	1/1985	Franklin	
D288,997 S	3/1987	Kraynak	
D290,204 S	6/1987	Bruget	
D321,100 S	10/1991	Dorrell	
D323,944 S *	2/1992	Maas D13/119
5,127,719 A *	7/1992	Battista A47B 88/80 312/204

(Continued)

Primary Examiner — Kelley Donnelly

(74) *Attorney, Agent, or Firm* — Sterne, Kessler, Goldstein & Fox P.L.L.C.

(57) **CLAIM**

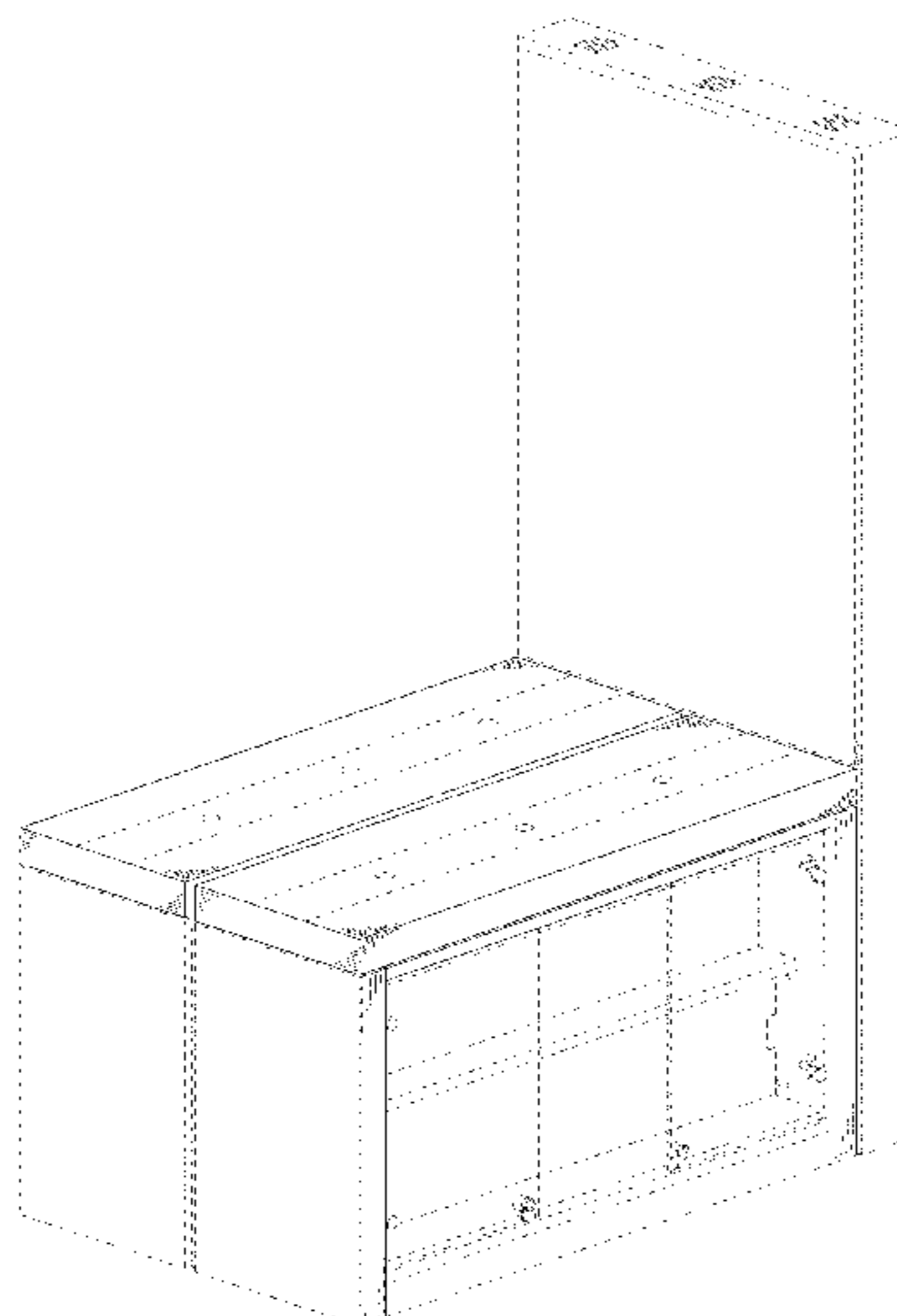
The ornamental design for a display structure, as shown and described.

DESCRIPTION

FIG. 1 is a front perspective view of a display structure showing the claimed design;
 FIG. 2 is a front view thereof;
 FIG. 3 is a rear view thereof;
 FIG. 4 is a left side view thereof;
 FIG. 5 is a right side view thereof;
 FIG. 6 is a top view thereof; and,
 FIG. 7 is a bottom view thereof.

The broken lines in the figures show portions of the display structure that form no part of the claimed design.
 The oblique shade lines in the figures show transparency and not surface ornamentation.

1 Claim, 7 Drawing Sheets



(56)

References Cited

U.S. PATENT DOCUMENTS

D347,755 S	6/1994	Houston		D592,422 S	5/2009	Rheault	
D354,638 S	1/1995	Todd et al.		D593,775 S	6/2009	Singler et al.	
D365,947 S	1/1996	Howard		D597,340 S	8/2009	Helgesen et al.	
5,577,817 A *	11/1996	Reynolds	A47B 81/00	D607,669 S	1/2010	Trinh et al.	
			126/299 D	D607,670 S	1/2010	Trinh et al.	
D398,462 S	9/1998	Baluk et al.		D608,565 S	1/2010	Mori	
D427,808 S	7/2000	Bedard		D610,832 S	3/2010	Rheault	
D435,362 S *	12/2000	Goza	D6/657	D632,903 S	2/2011	Paul	
6,170,678 B1	1/2001	de la Fuente		D637,421 S	5/2011	Theisen et al.	
D438,403 S	3/2001	Greenburg		D637,422 S	5/2011	Theisen et al.	
D439,445 S	3/2001	Riga et al.		D641,989 S	7/2011	Giroux et al.	
D442,796 S	5/2001	Brozak		D641,992 S	7/2011	Giroux et al.	
D444,314 S *	7/2001	Cox	D6/657	D642,824 S	8/2011	Theisen et al.	
D448,202 S *	9/2001	Brooking	D6/657	D644,039 S	8/2011	Naples et al.	
D457,016 S	5/2002	Dudley		D646,503 S	10/2011	Fiori	
D458,059 S	6/2002	Dudley		D648,783 S	11/2011	Mathea	
D501,284 S	1/2005	Mount		D649,192 S	11/2011	Beukema et al.	
D515,846 S	2/2006	Reeves et al.		D653,475 S	2/2012	Thompson	
D521,275 S	5/2006	Dusenberry		D655,947 S	3/2012	Doane	
D522,274 S	6/2006	Coval		D657,978 S	4/2012	Hamm et al.	
D538,068 S	3/2007	Newhouse et al.		D661,922 S	6/2012	Mitri	
D538,556 S	3/2007	Arias		D678,696 S	3/2013	Hamm et al.	
D543,561 S	5/2007	Fogarty et al.		D679,521 S	4/2013	Hamm et al.	
D559,581 S	1/2008	Knoettgen-Nap		D680,350 S	4/2013	Peake-Atkins et al.	
D576,426 S	9/2008	Yuen-Schat et al.		D688,494 S	8/2013	Hamm et al.	
D590,630 S *	4/2009	Singler	D6/663	D693,156 S	11/2013	Hamm et al.	
D591,078 S	4/2009	Singler et al.		D732,319 S *	6/2015	Engebretson	D6/657
D591,079 S	4/2009	Singler et al.		D732,854 S *	6/2015	Engebretson	D6/657
D591,974 S	5/2009	Singler et al.		D741,094 S *	10/2015	Martell	D6/702
D591,979 S	5/2009	Singler et al.		D787,869 S *	5/2017	Denby	D6/698
				2005/0279033 A1	12/2005	Faber et al.	
				2007/0170823 A1	7/2007	Stannis et al.	

* cited by examiner

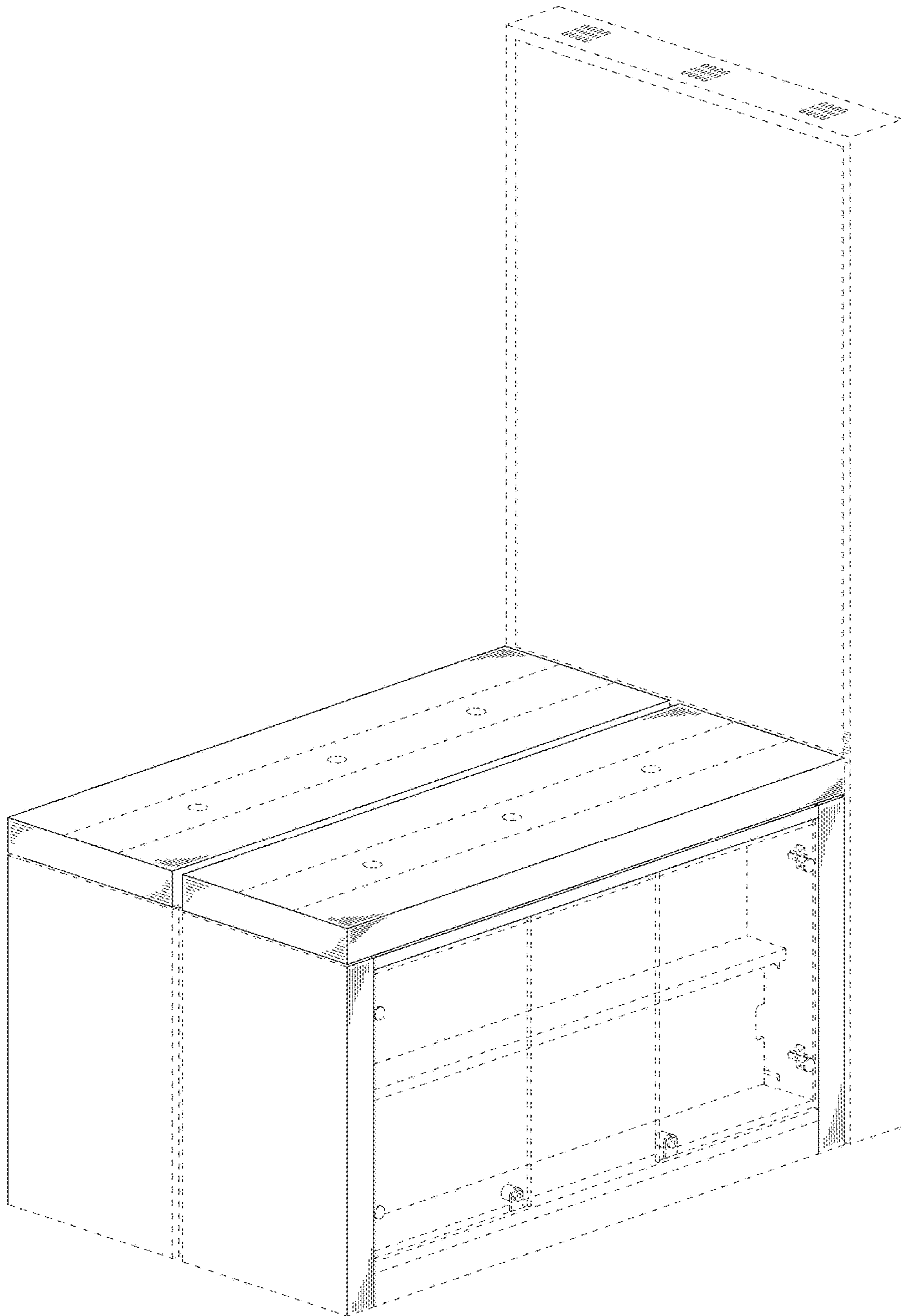


FIG. 1

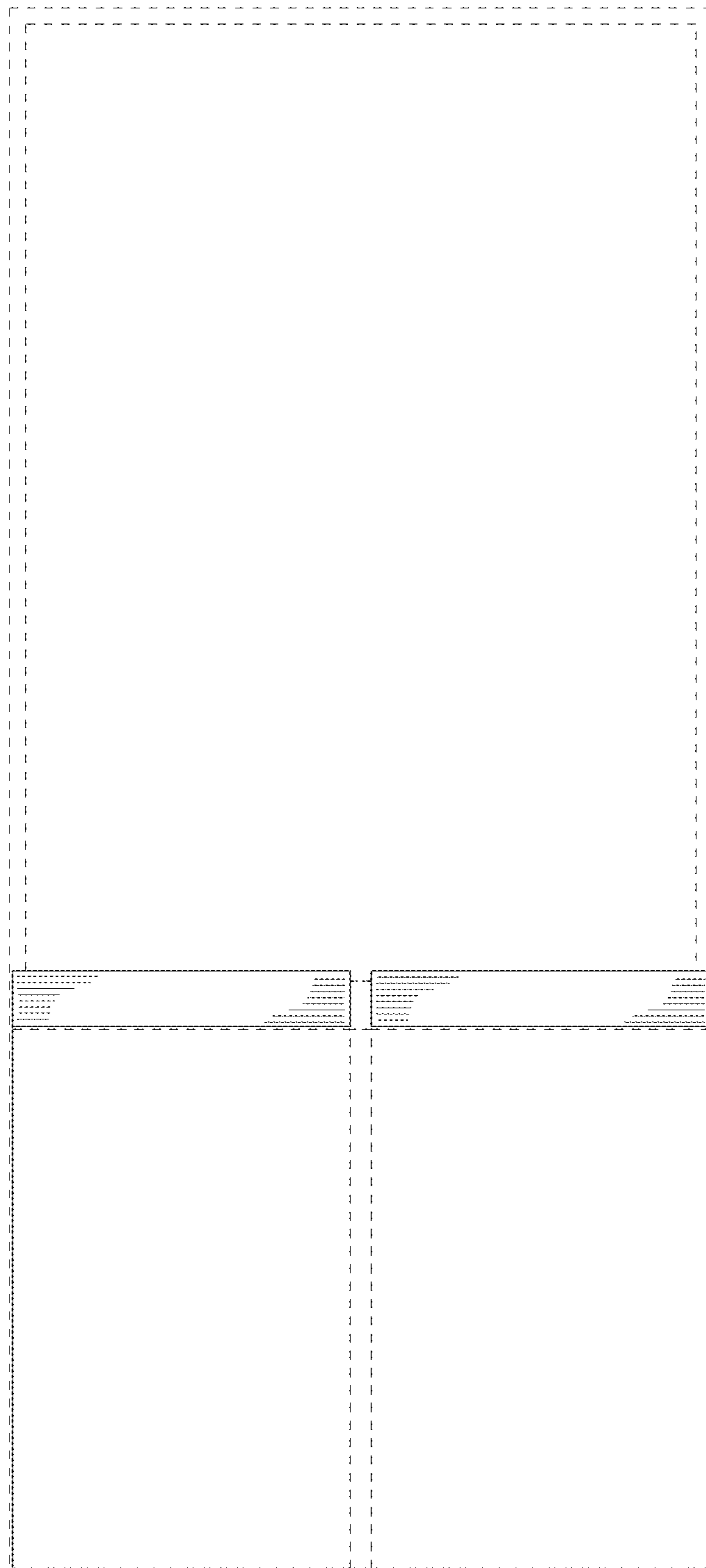


FIG. 2

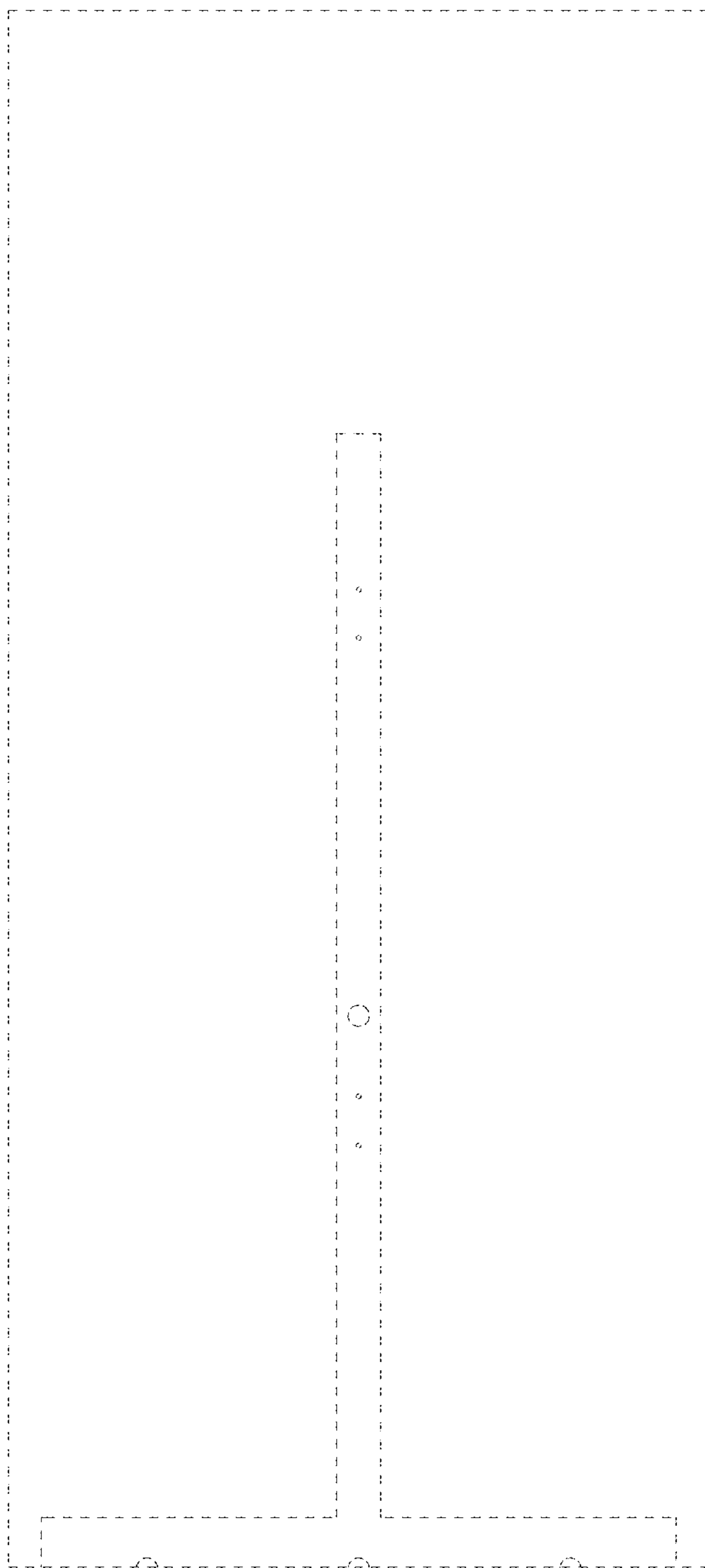


FIG. 3

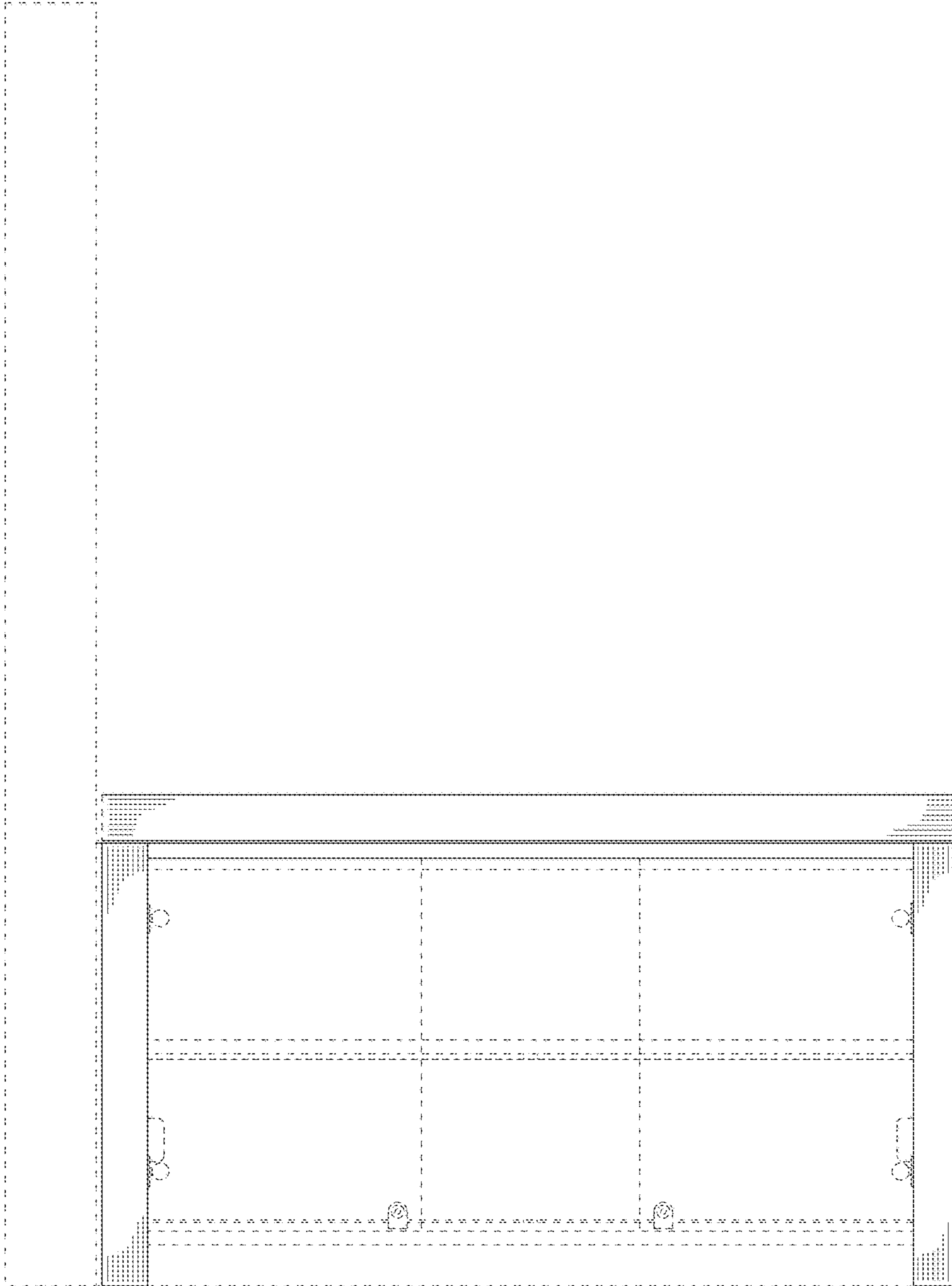


FIG. 4

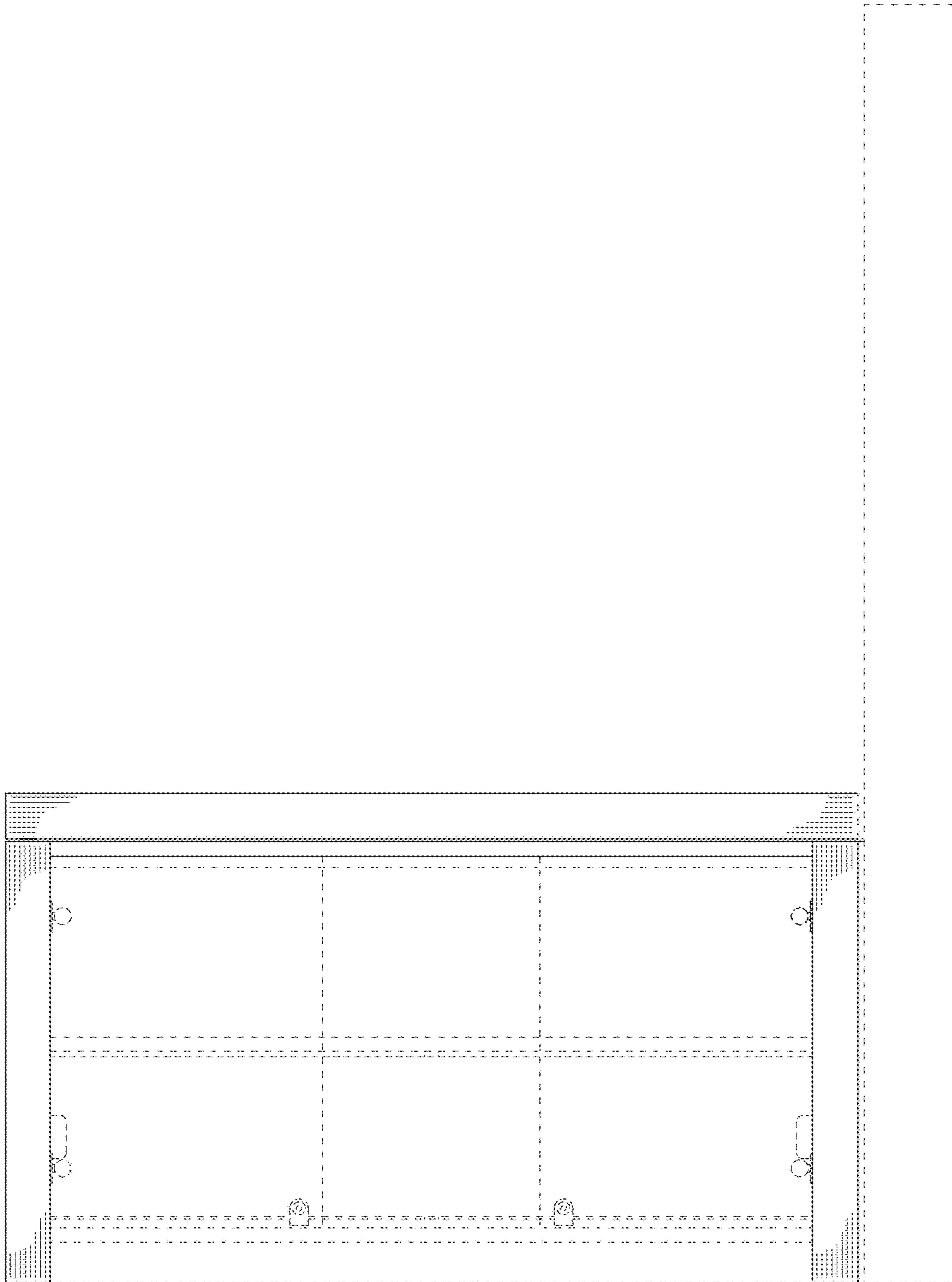


FIG. 5

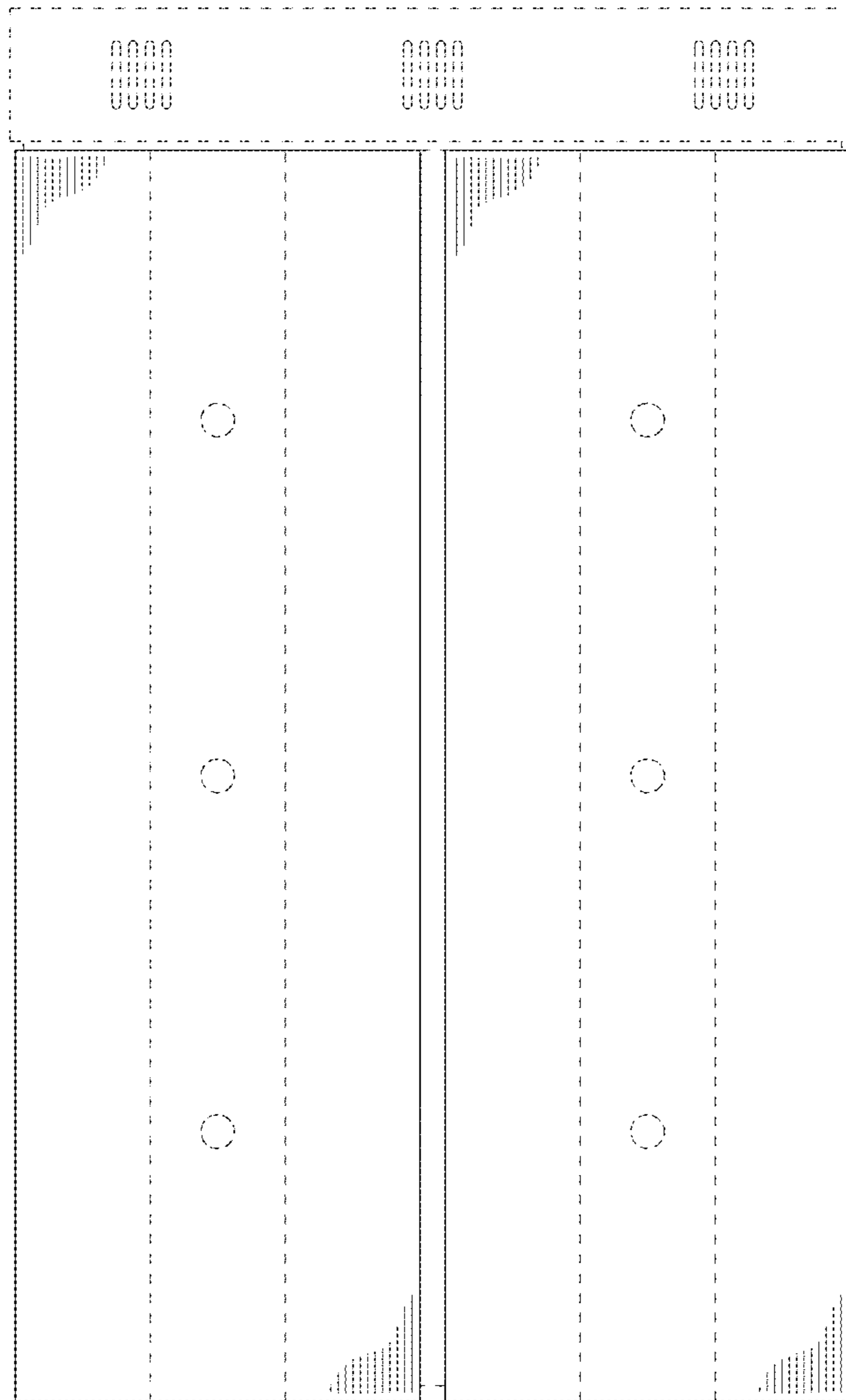


FIG. 6



FIG. 7