



US00D795612S

(12) **United States Design Patent**  
**Goddard**

(10) **Patent No.:** **US D795,612 S**

(45) **Date of Patent:** **\*\* Aug. 29, 2017**

(54) **BEADED SEAT CUSHION**

D386,036 S \* 11/1997 Laidlaw ..... D6/601  
D399,694 S \* 10/1998 Laidlaw ..... D6/596  
D404,238 S \* 1/1999 Keilhauer ..... D6/601

(Continued)

(71) Applicant: **Kraco Enterprises, LLC.**, Compton,  
CA (US)

(72) Inventor: **Lingere D. Goddard**, Carson, CA (US)

*Primary Examiner* — Eric Goodman

*Assistant Examiner* — Sanjeev Paul

(73) Assignee: **Kraco Enterprises, LLC.**, Compton,  
CA (US)

(74) *Attorney, Agent, or Firm* — Wood Herron & Evans  
LLP

(\*\*) Term: **15 Years**

(57) **CLAIM**

(21) Appl. No.: **29/590,545**

The ornamental design for a beaded seat cushion, as shown and described.

(22) Filed: **Jan. 11, 2017**

**Related U.S. Application Data**

**DESCRIPTION**

(62) Division of application No. 29/549,652, filed on Dec. 28, 2015, now Pat. No. Des. 779,857.

(51) **LOC (10) Cl.** ..... **06-09**

(52) **U.S. Cl.**  
USPC ..... **D6/601**

(58) **Field of Classification Search**

USPC ..... D6/333, 349, 355, 375, 388, 512, 563,  
D6/564, 595, 596, 601, 604, 611, 707,  
D6/715, 716, 716.1; D24/183–185, 234;  
D21/803, 804, 805, 809; 5/401, 420,  
5/600, 630, 631, 632, 633, 635, 636, 638,  
5/639, 646, 652, 652.1, 655, 703, 730;  
297/1, 2, 4, 93, 180.11, 195.1, 195.11,  
297/195.13, 393, 397, 452.12, 452.14,  
297/452.15, 452.21, 452.24, 452.26,  
297/452.48, 452.62, 482  
CPC .. A47G 9/1018; A47G 9/1027; A47G 9/1009;  
A47G 9/1045; A47G 9/1063; A47G  
9/1072; A47G 9/1081

See application file for complete search history.

FIG. 1 is a front top isometric view of my new beaded seat cushion design;  
FIG. 2 is a rear bottom isometric view thereof;  
FIG. 3 is a front view thereof;  
FIG. 4 is a right side view thereof;  
FIG. 5 is a rear view thereof;  
FIG. 6 is a left side view thereof;  
FIG. 7 is a cross-sectional view taken along line 7-7 of FIG. 3;  
FIG. 8 is a top plan view thereof;  
FIG. 9 is a bottom plan view thereof.  
FIG. 10 is a front isometric detail view of my new beaded seat cushion design;  
FIG. 11 is a front view of the portion of the beaded seat cushion design shown in FIG. 10;  
FIG. 12 is a left side view of the portion of the beaded seat cushion design shown in FIG. 10; and,  
FIG. 13 is a cross-sectional view taken along line 13-13 of FIG. 11.

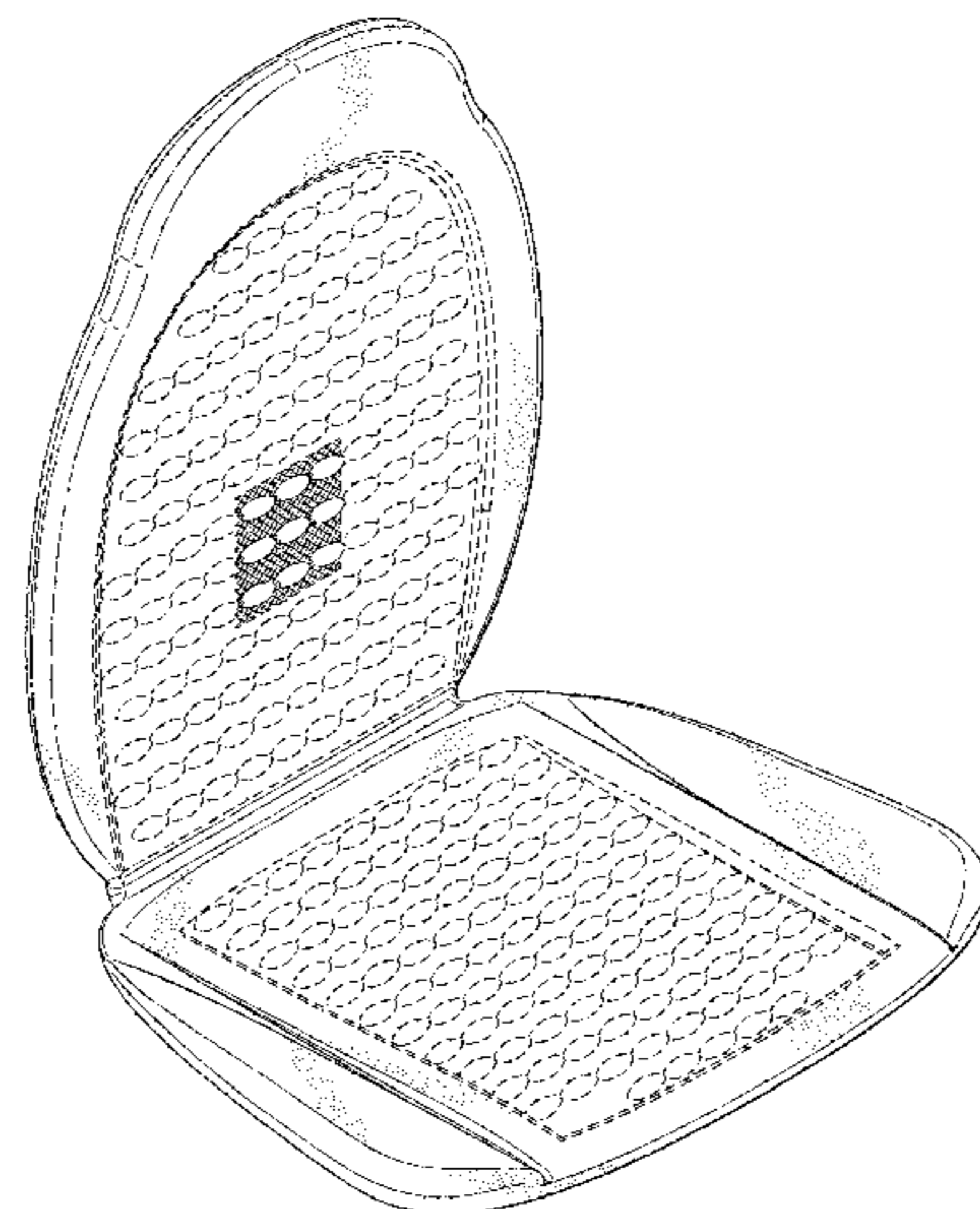
The broken dash line hatching shown in the cross sectional drawing views of FIGS. 7 and 13 form no part of the claimed design. The broken dash lines shown in the drawing views represent unclaimed subject matter and form no part of the claimed design.

(56) **References Cited**

**U.S. PATENT DOCUMENTS**

D336,203 S \* 6/1993 Lin ..... D6/601  
D368,399 S \* 4/1996 Buffon ..... D6/716

**1 Claim, 10 Drawing Sheets**



(56)

**References Cited**

U.S. PATENT DOCUMENTS

D440,451	S	*	4/2001	Roberts	.....	D6/601
D440,454	S	*	4/2001	Roberts	.....	D6/601
D440,808	S	*	4/2001	Roberts	.....	D6/601
D450,498	S	*	11/2001	Skalka	.....	D6/716
D489,114	S	*	4/2004	Peterson	.....	D21/803
D491,994	S	*	6/2004	Peterson	.....	D21/803
D552,387	S	*	10/2007	Wu	.....	D6/366
D568,085	S	*	5/2008	Pawsey	.....	D6/601
7,406,733	B2	*	8/2008	Coffield	.....	A47C 7/282 297/452.15
D618,030	S	*	6/2010	Wang	.....	D6/601
D659,252	S	*	5/2012	Batiste	.....	D24/190
D660,056	S	*	5/2012	Diffrient	.....	D6/366
D680,761	S	*	4/2013	Spaven	.....	D6/333
D710,022	S	*	7/2014	Chen	.....	D24/215
D735,512	S	*	8/2015	Chan	.....	D6/716.1
D735,513	S	*	8/2015	Chan	.....	D6/716.1
D764,668	S	*	8/2016	Van Voorst	.....	D24/159
D771,424	S	*	11/2016	Cantarutti	.....	D6/716
D779,857	S	*	2/2017	Goddard	.....	D6/601
D782,849	S	*	4/2017	Goddard	.....	D6/601
D782,850	S	*	4/2017	Goddard	.....	D6/601
D782,851	S	*	4/2017	Goddard	.....	D6/601

\* cited by examiner

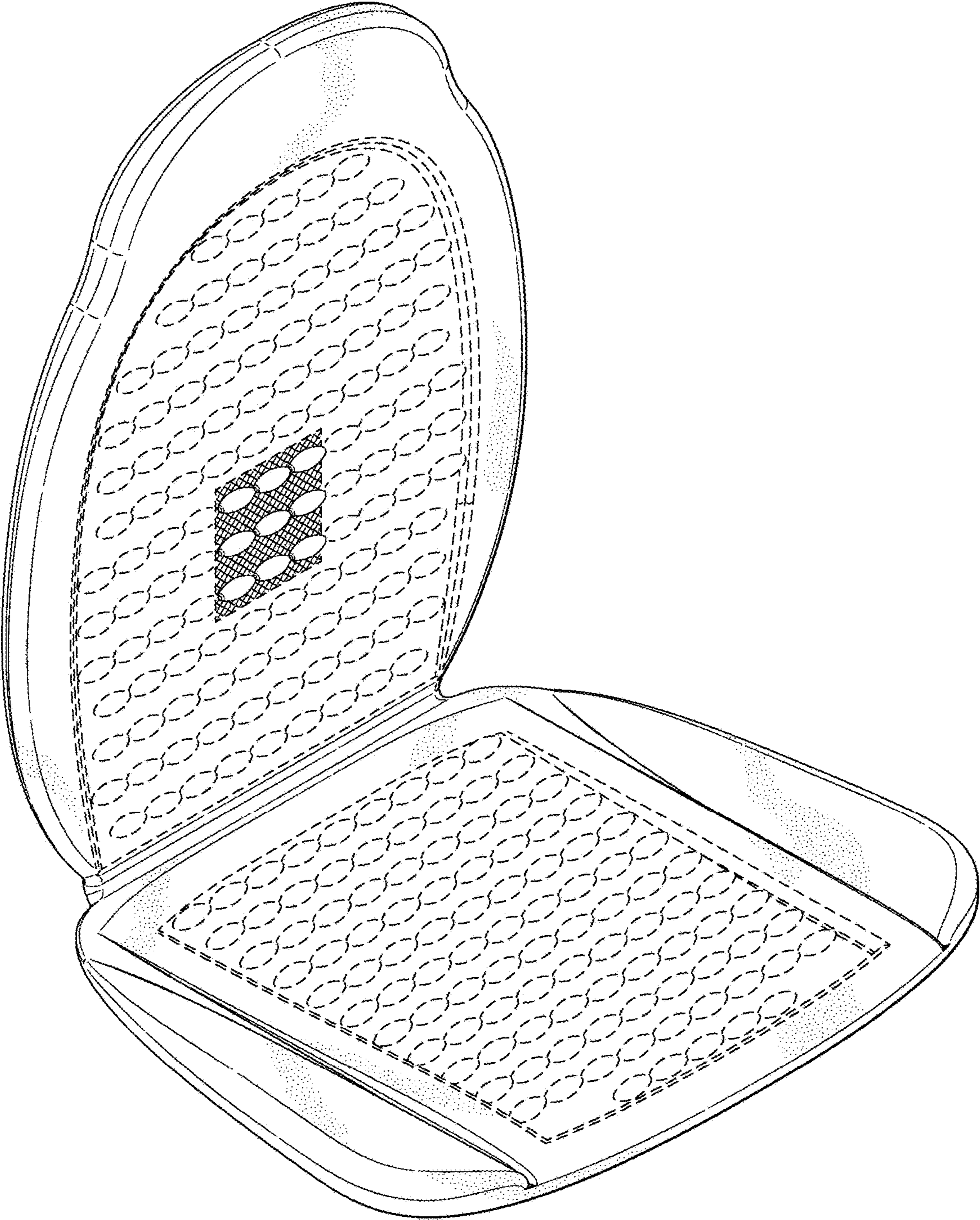


FIG. 1

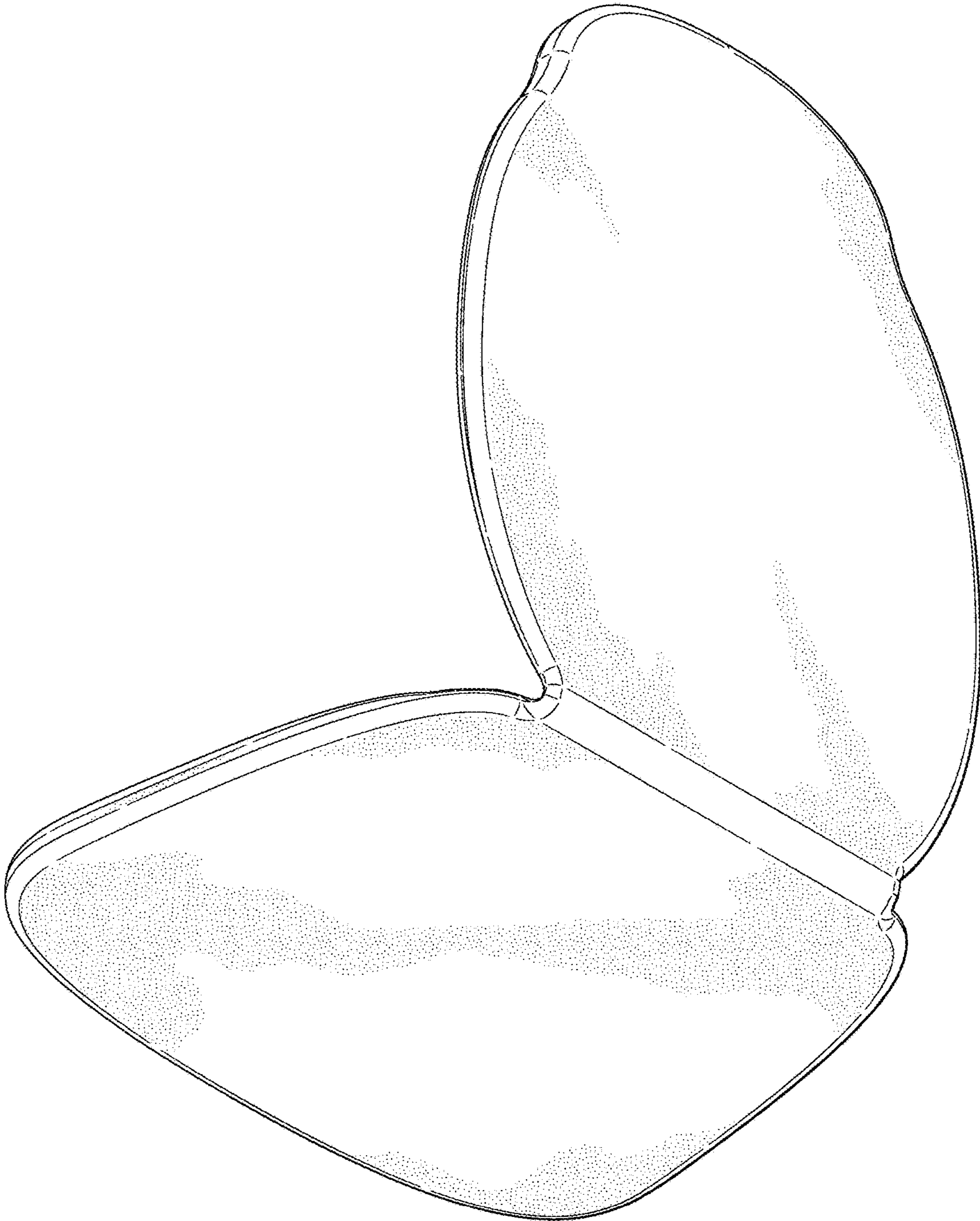


FIG. 2

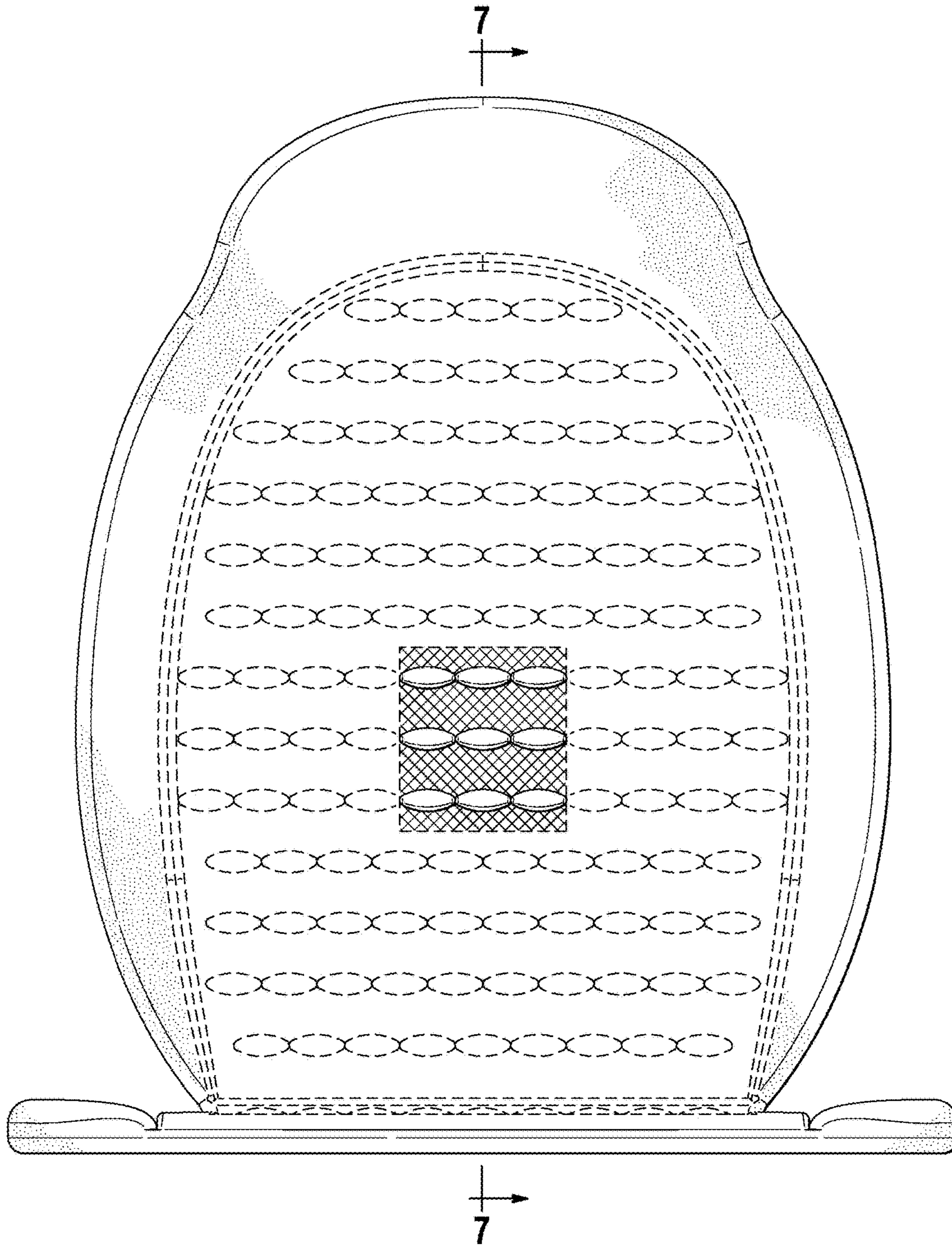


FIG. 3

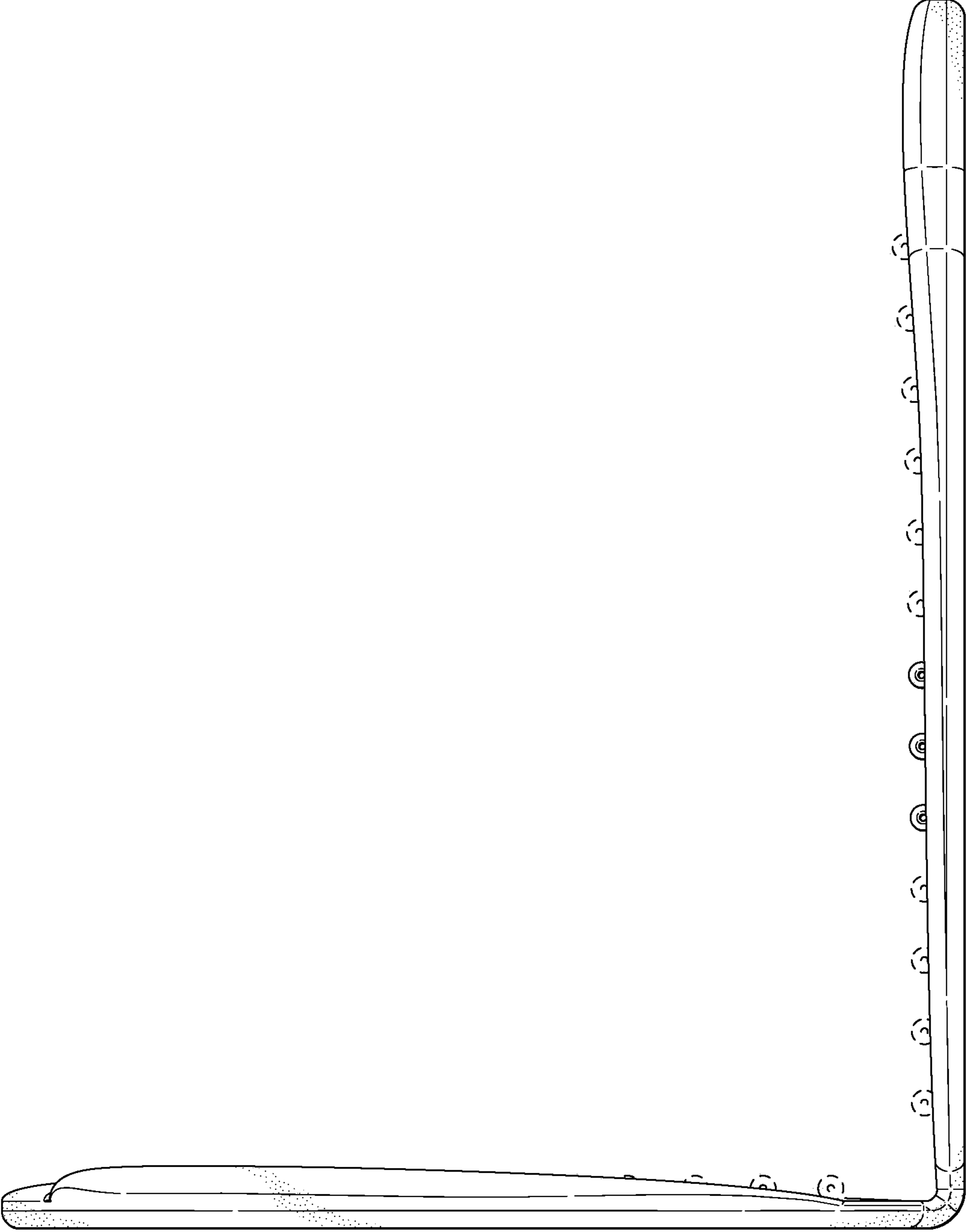


FIG. 4

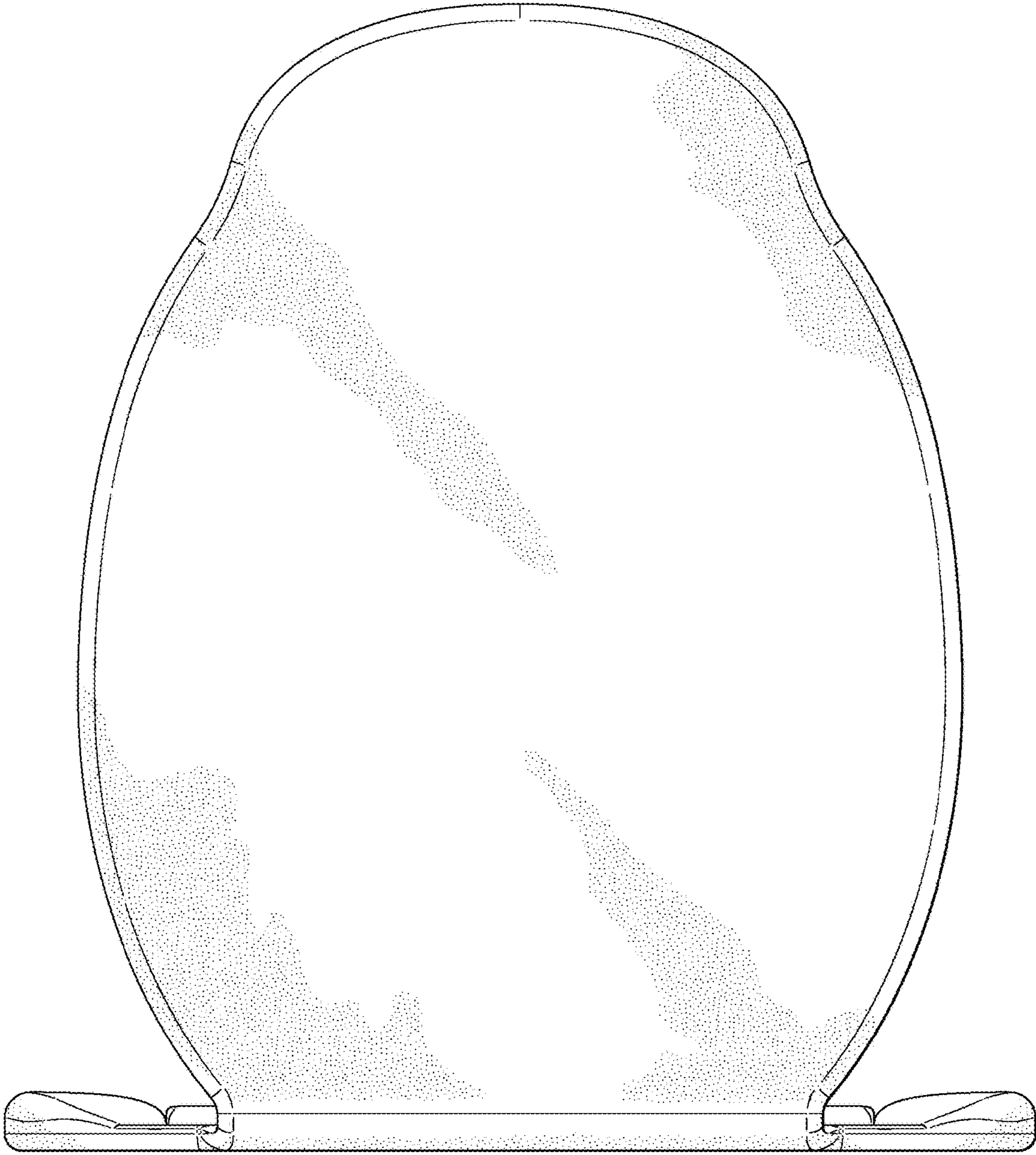


FIG. 5

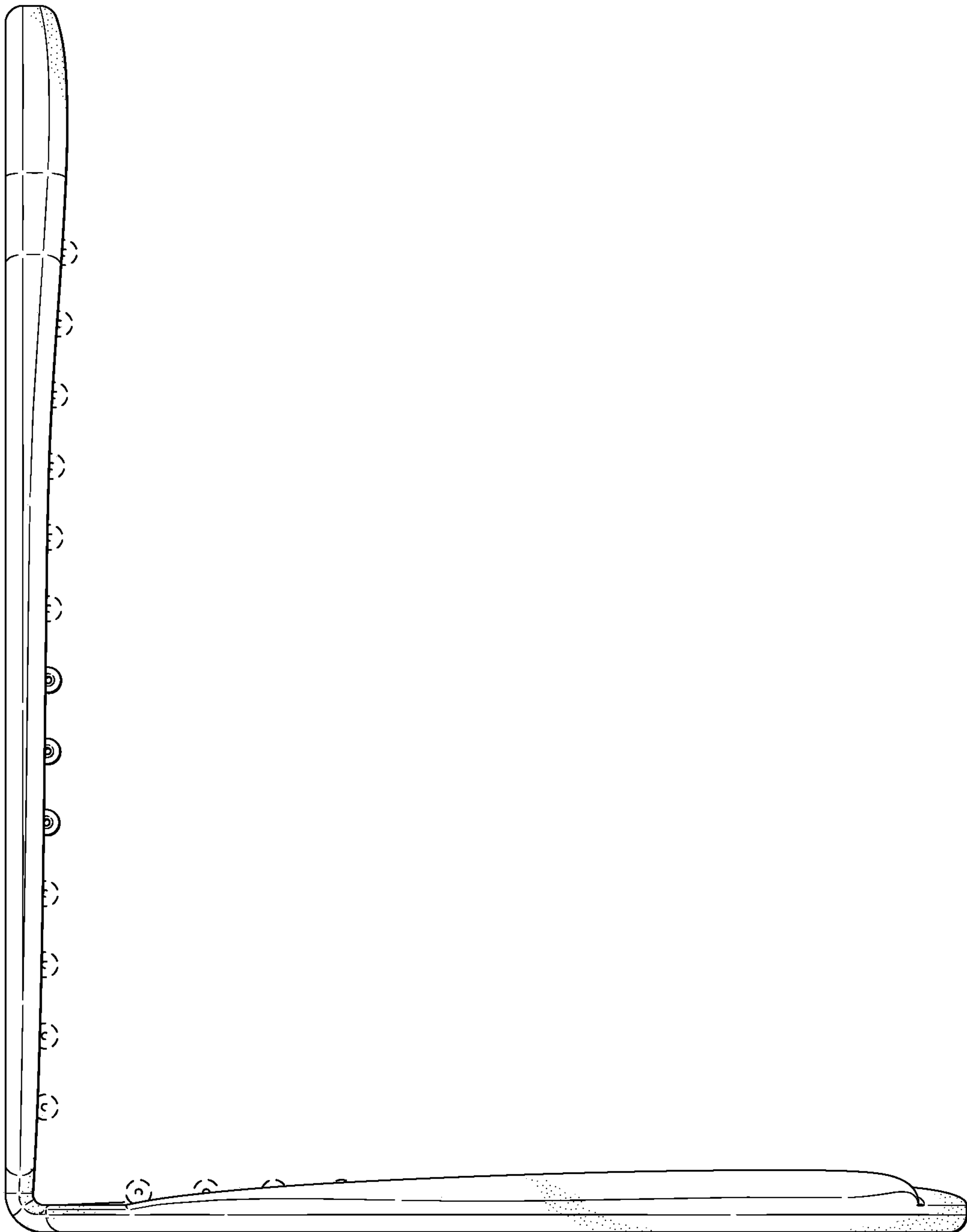


FIG. 6



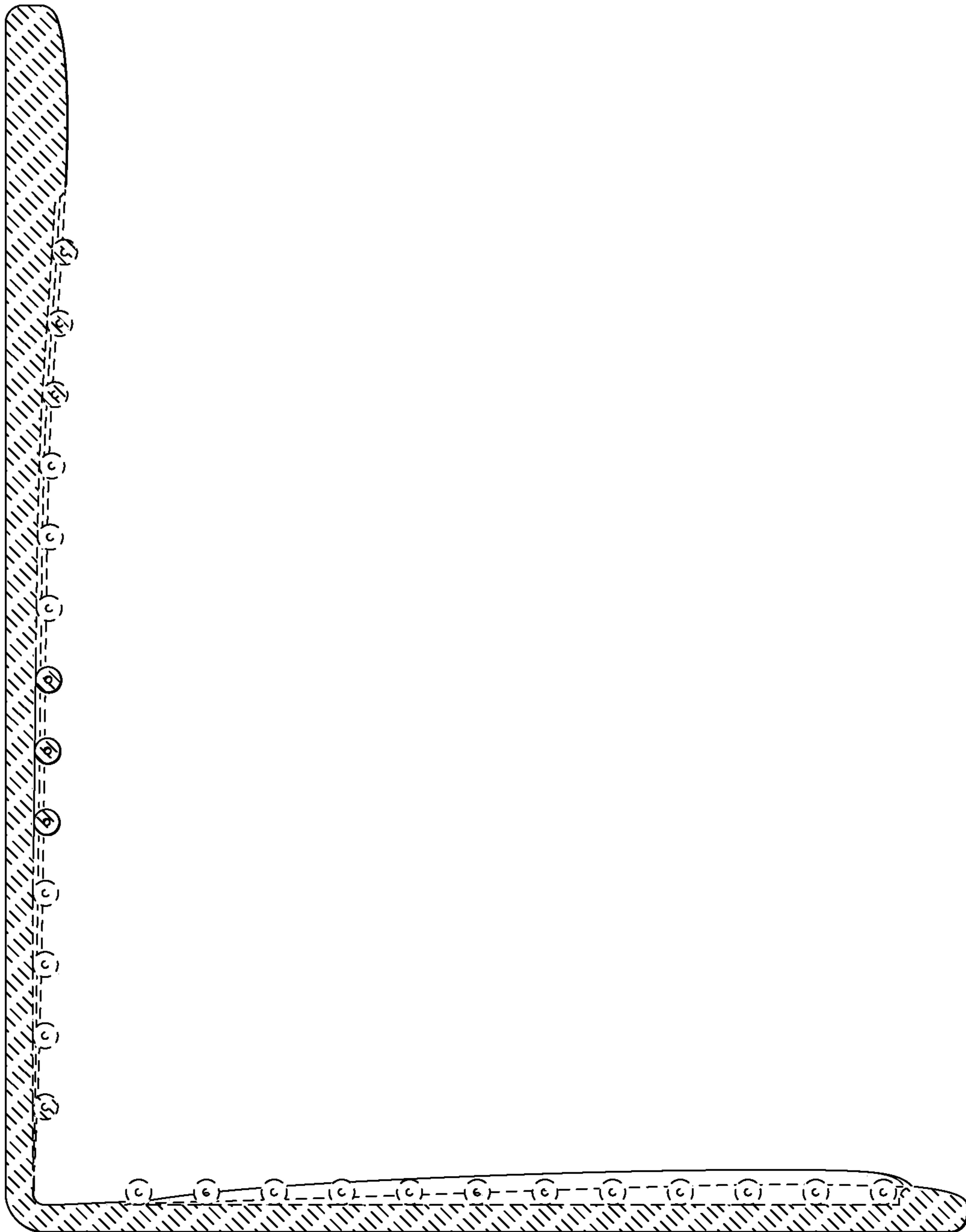


FIG. 7

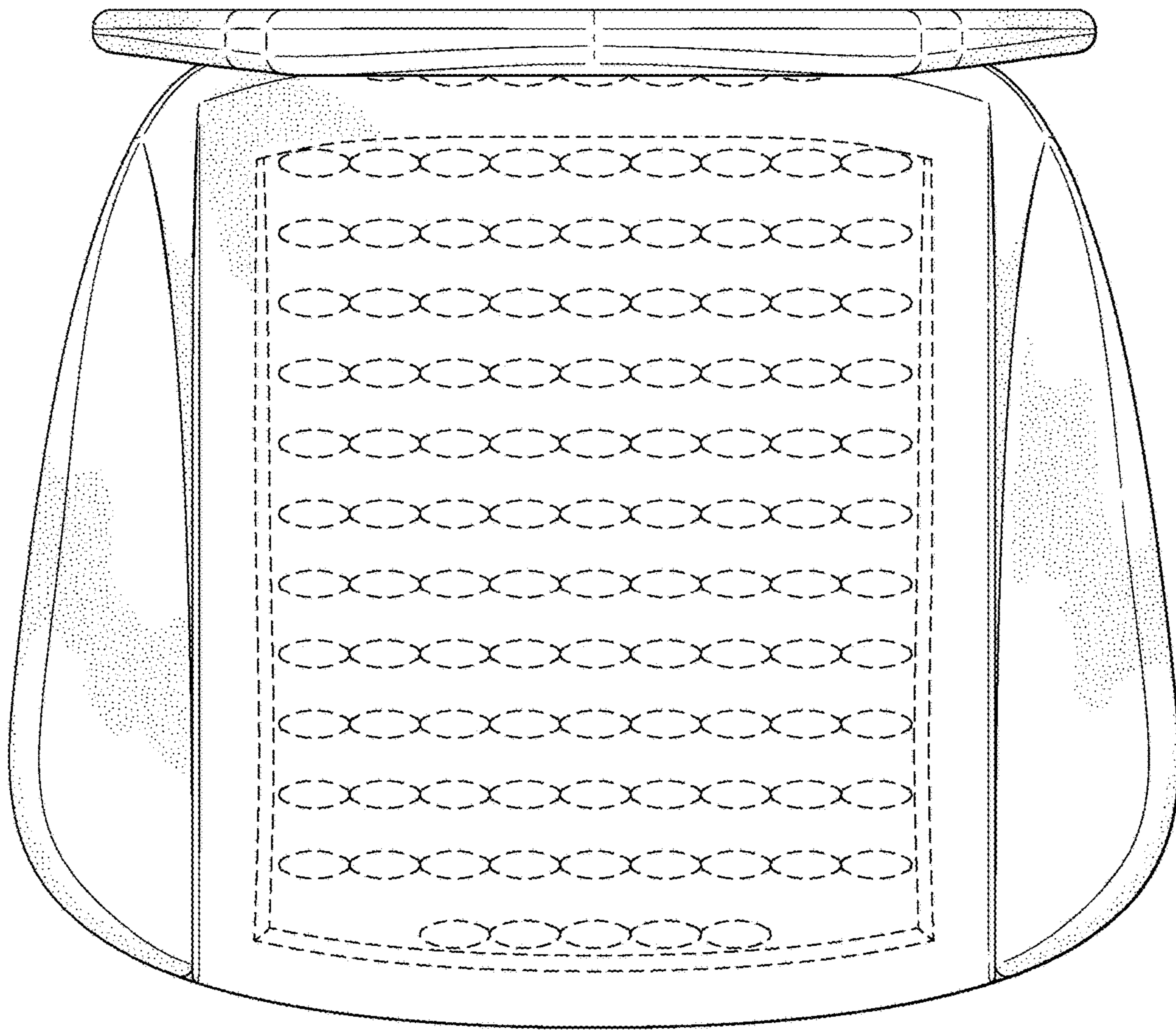


FIG. 8

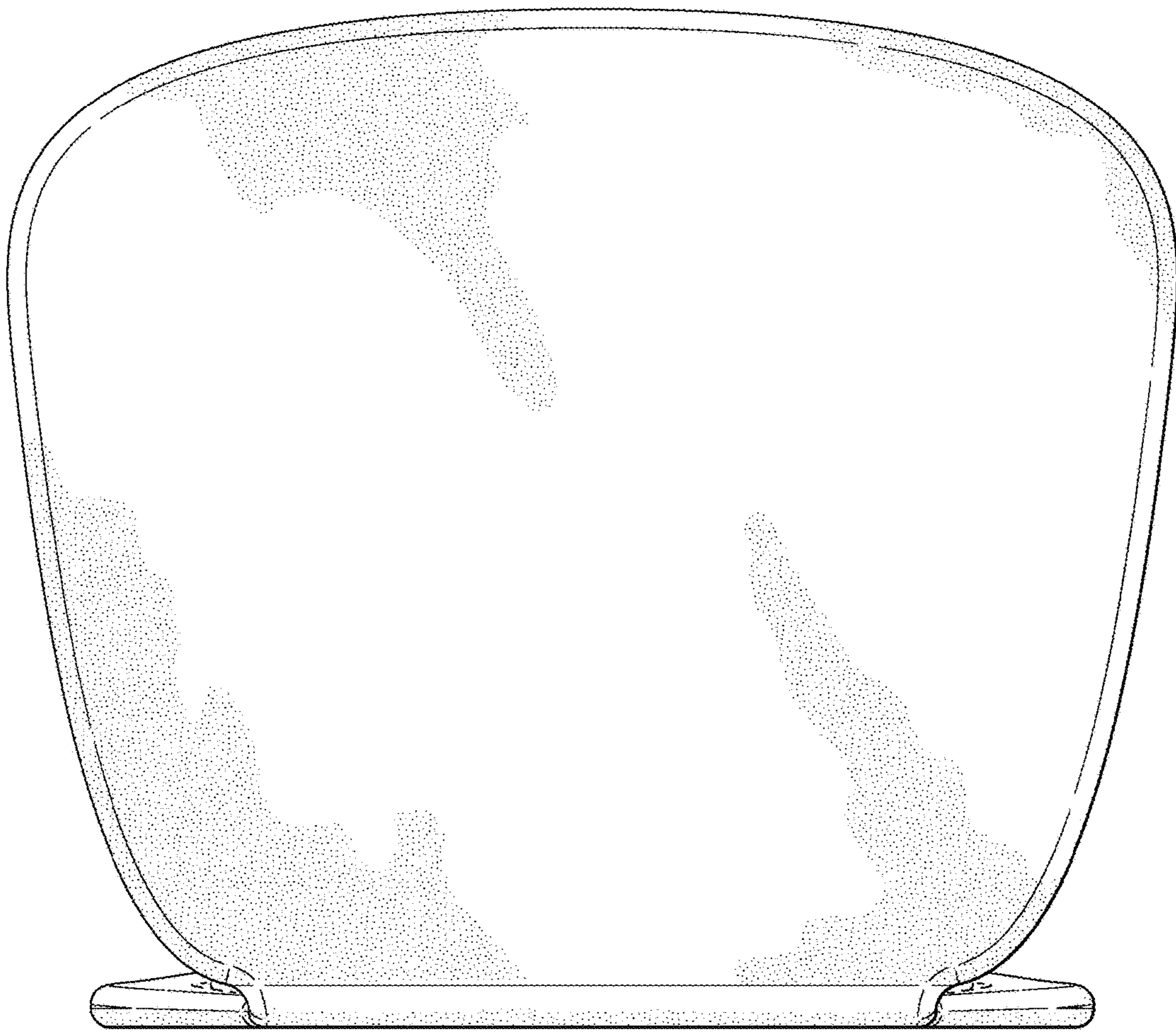


FIG. 9

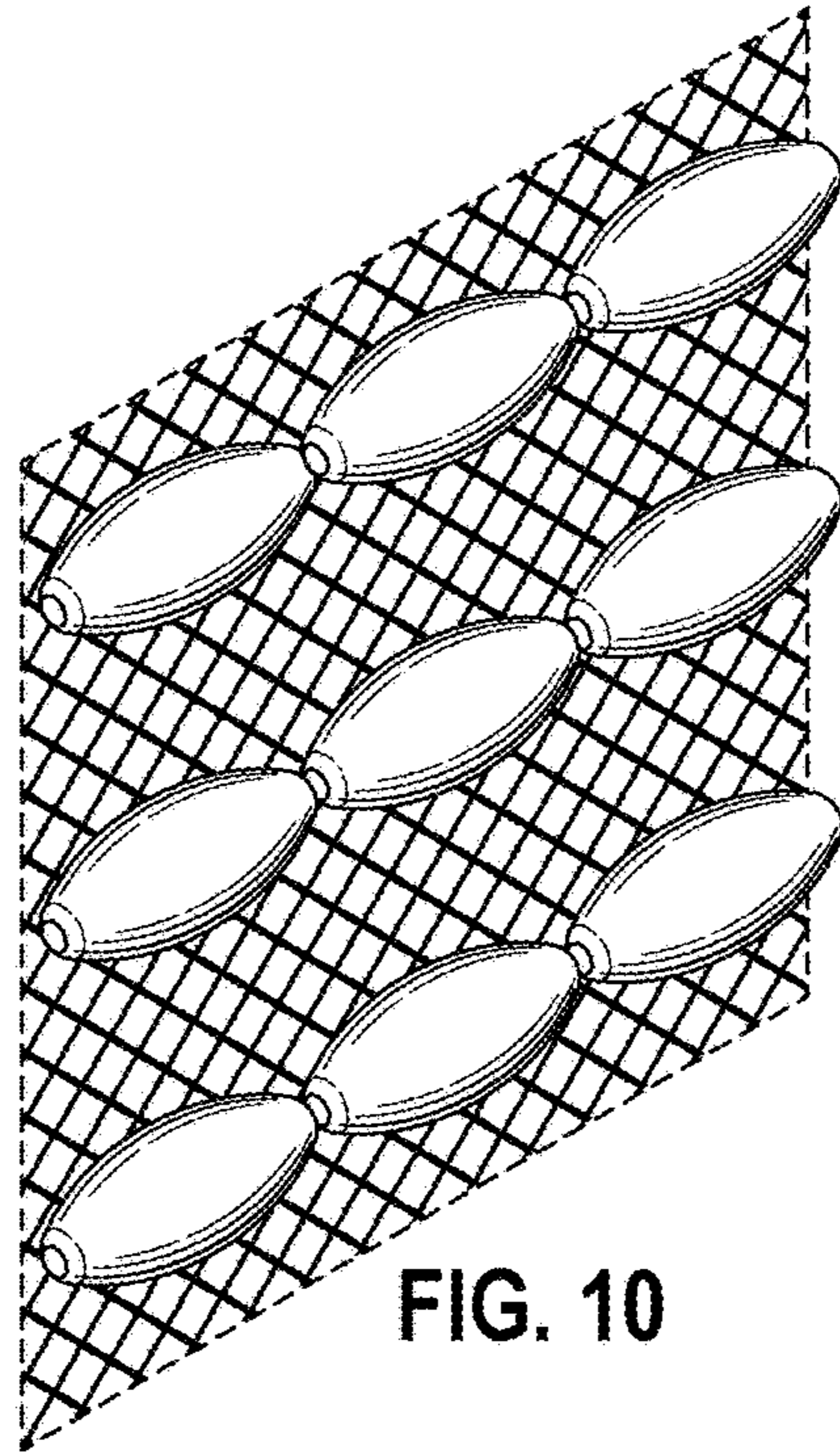
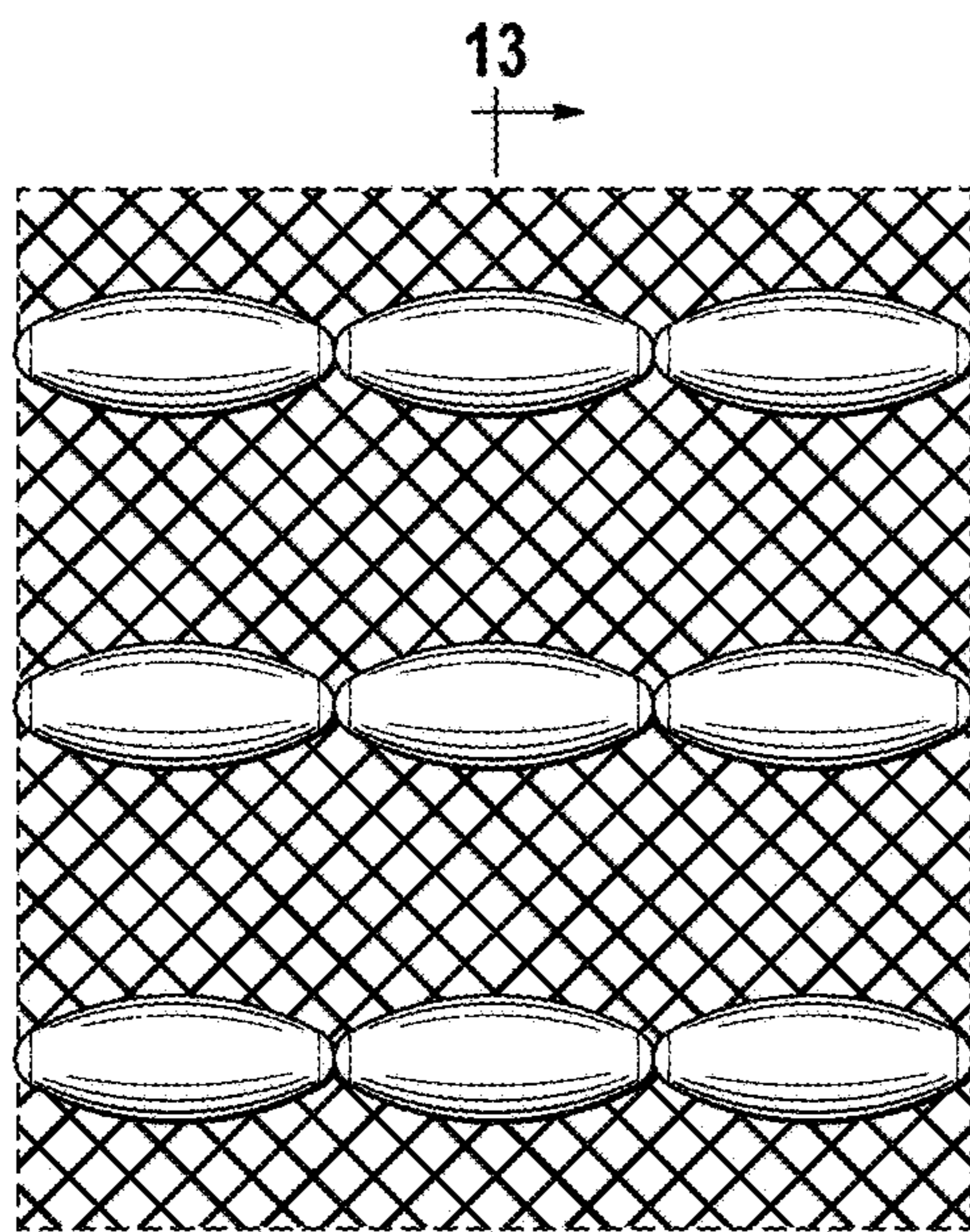


FIG. 10



13  
FIG. 11



FIG. 12



FIG. 13