



US00D795610S

(12) **United States Design Patent** (10) **Patent No.:** **US D795,610 S**
Kohlhagen (45) **Date of Patent:** **** Aug. 29, 2017**

(54) **SAFETY MAT**

(71) Applicant: **GLAM SPACE INC.**, Brooklyn, NY (US)

(72) Inventor: **Anne Kohlhagen**, Brooklyn, NY (US)

(73) Assignee: **GLAM SPACE INC.**, Brooklyn, NY (US)

(**) Term: **15 Years**

(21) Appl. No.: **29/550,389**

(22) Filed: **Jan. 4, 2016**

(51) **LOC (10) Cl.** **06-11**

(52) **U.S. Cl.**
USPC **D6/582; D6/592**

(58) **Field of Classification Search**
USPC ... D5/28, 37, 39, 43, 55, 57, 58, 60, 63, 65;
D6/582-593, 596-598, 608, 609, 613,
D6/614, 616, 617, 618, 697, 707, 707.22;
D8/374; D21/480, 662, 671, 686, 792;
D25/105, 138, 157; D30/118, 161;
D32/57; D7/388, 389; D12/203;
D19/10; D24/183, 184
CPC A47G 27/0206; A47G 27/0212; A47G
27/0218; A47G 27/0225; A47G 27/0237;
A47G 27/0293; A47K 7/026; A47L
23/26; A47L 23/266; A63B 6/00; A63B
21/4037
See application file for complete search history.

(56) **References Cited**

U.S. PATENT DOCUMENTS

1,702,635 A * 2/1929 Hasalone A47K 3/002
4/583
D131,058 S * 1/1942 Faraggi D6/608

D224,138 S * 7/1972 Mahler D6/583
D334,213 S * 3/1993 Evenson D19/65
D382,735 S * 8/1997 Zapf D6/703.1
D415,482 S * 10/1999 Jolson D14/447
D740,054 S * 10/2015 Oberwelz D6/606
D781,977 S * 3/2017 Lin D21/803
D784,048 S * 4/2017 Ellingson D6/582
2002/0099313 A1 * 7/2002 Robbins, III A47G 27/0206
601/136
2006/0230693 A1 * 10/2006 Giordano E04G 21/30
52/182
2012/0227181 A1 * 9/2012 Cintas A45C 3/00
5/420

* cited by examiner

Primary Examiner — Celia Murphy

Assistant Examiner — Clare Ann Gannon

(74) *Attorney, Agent, or Firm* — Andrew F. Young, Esq.;
Lackebach Siegel, LLP

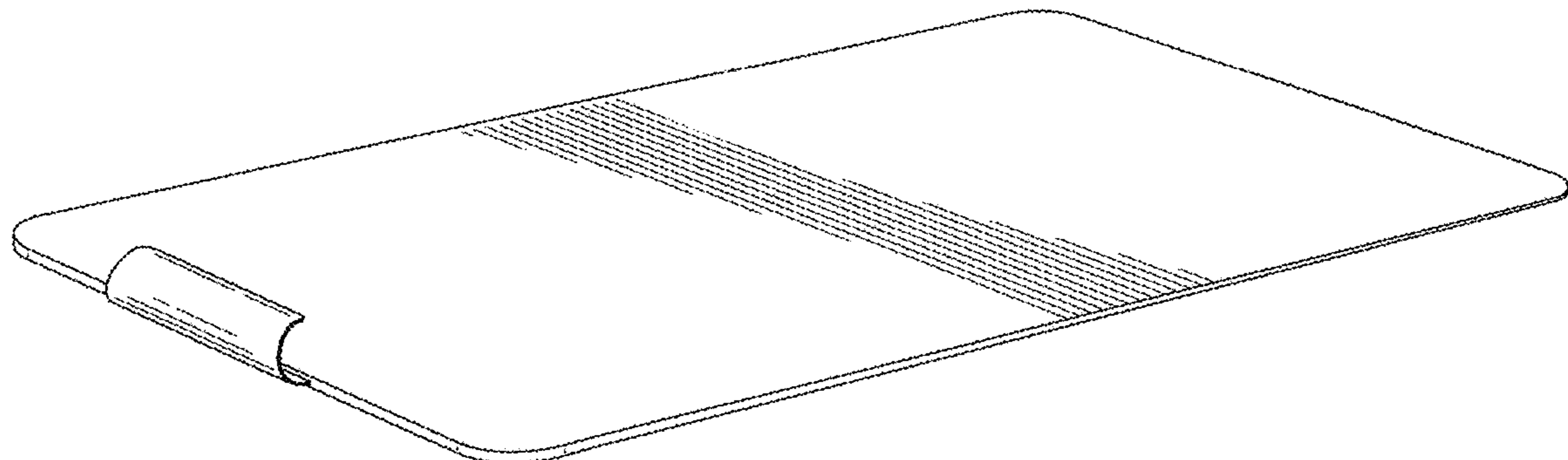
(57) **CLAIM**

The ornamental design for a safety mat, as shown and described.

DESCRIPTION

FIG. 1 is a front perspective view of a safety mat showing my new design;
FIG. 2 is a left side elevation view thereof.
FIG. 3 is a right side elevation view thereof.
FIG. 4 is a bottom plan view thereof
FIG. 5 is a top plan view thereof.
FIG. 6 is a front elevational view thereof; and,
FIG. 7 is a rear elevational view thereof.
The broken lines in FIG. 7 depict portions of the safety mat that form no part of the claimed design. The dot-dash lines denote the boundary of the claimed design.
The present invention is a safety mat for a surface with a securing hook for roll-up storage between uses.

1 Claim, 5 Drawing Sheets



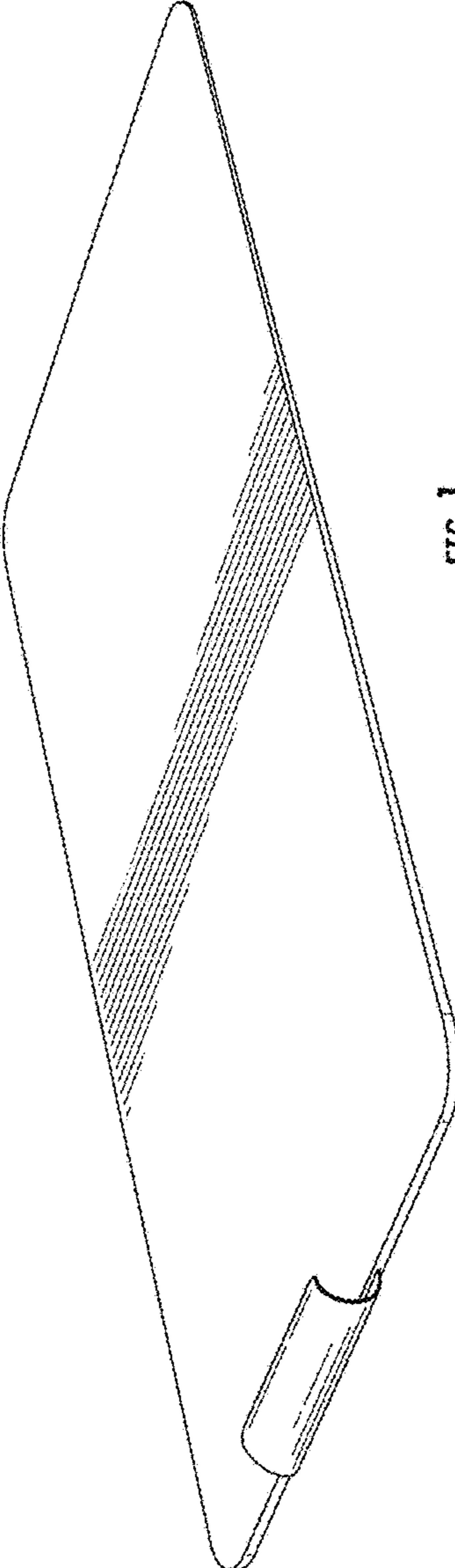


FIG. 1



FIG. 2

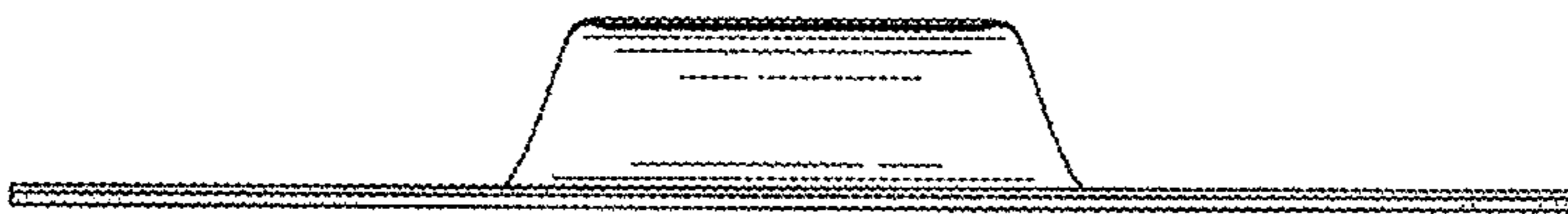


FIG. 3

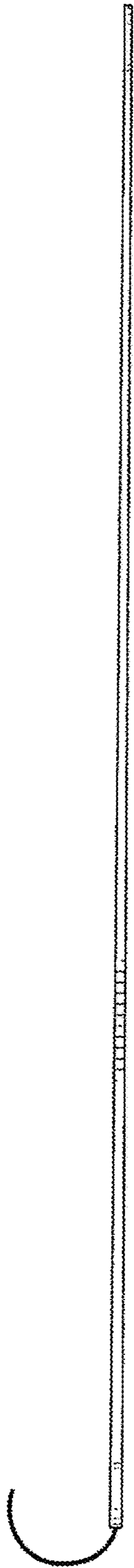


FIG. 4



FIG. 5

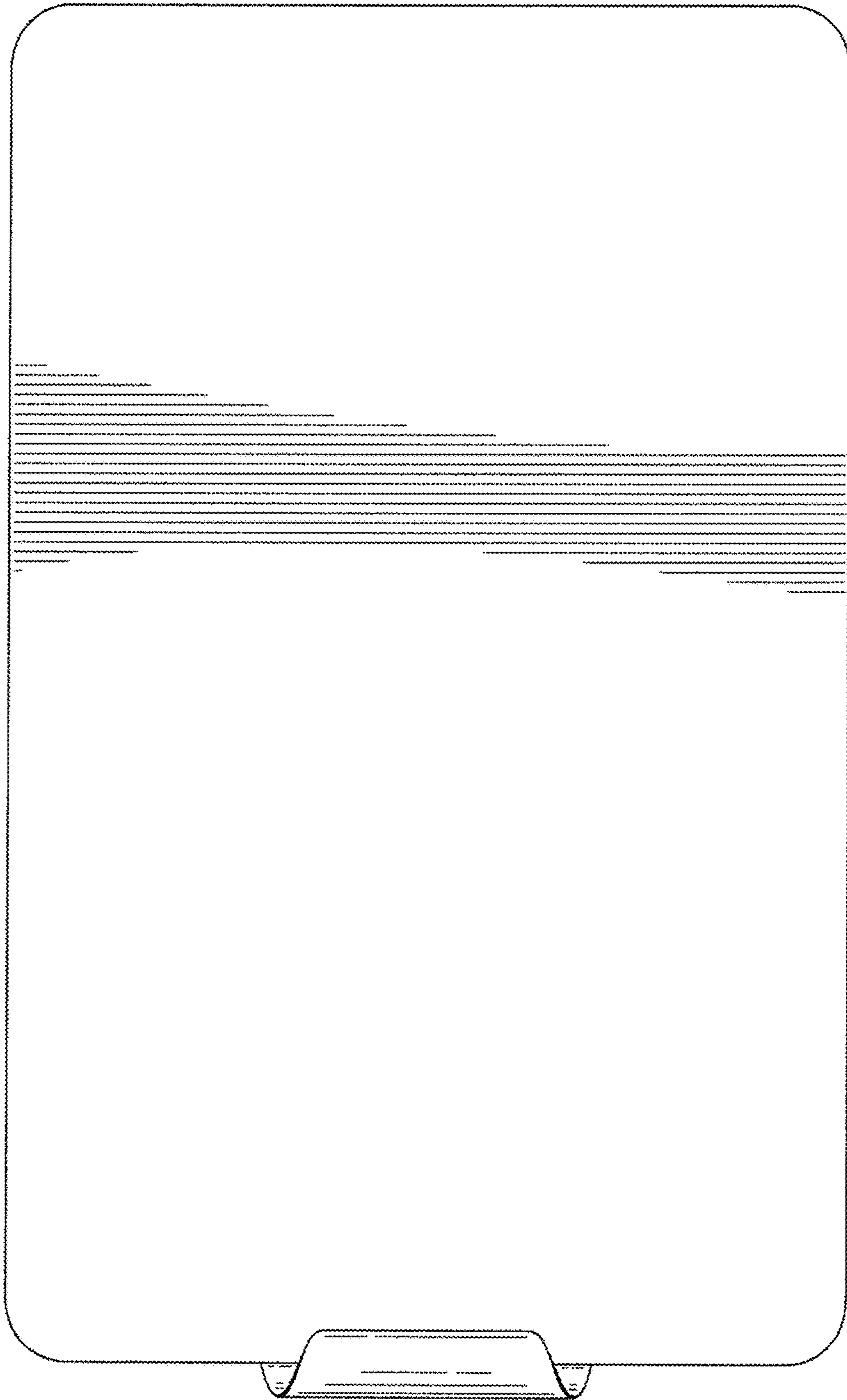


FIG. 6

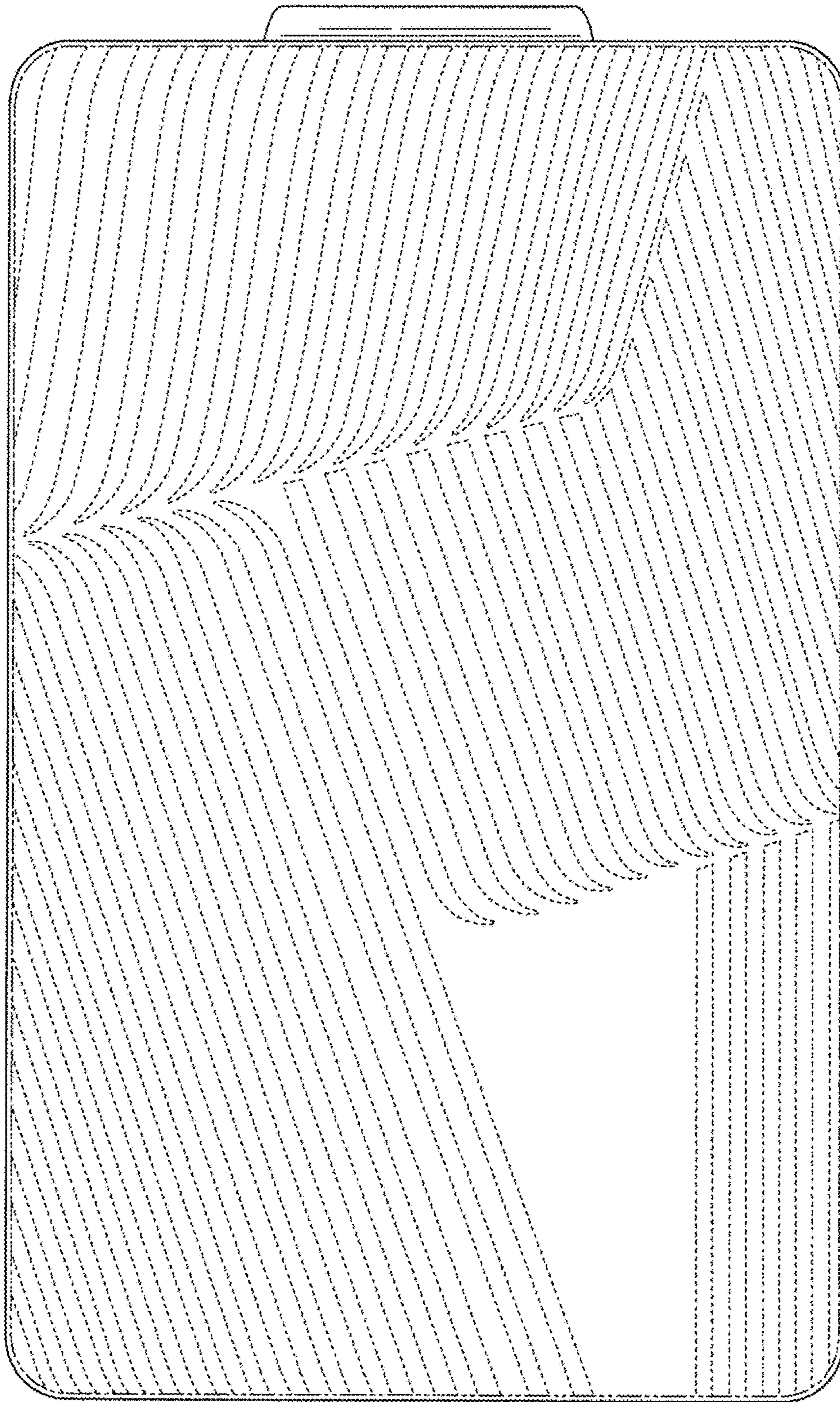


FIG. 7