



US00D795608S

(12) **United States Design Patent** (10) **Patent No.:** **US D795,608 S**
Boyd (45) **Date of Patent:** **** Aug. 29, 2017**

(54) **DISPENSER FOR DISPENSING CLEANING SOLUTIONS, A COVER PIECE FOR A DISPENSER FOR DISPENSING CLEANING SOLUTIONS, AND A PORTION OF A DISPENSER FOR DISPENSING CLEANING SOLUTIONS**

Primary Examiner — Wan Laymon
Assistant Examiner — Mark Booker
(74) *Attorney, Agent, or Firm* — Senniger Powers LLP

(71) Applicant: **Buckeye International, Inc.**, Maryland Heights, MO (US)

(72) Inventor: **Scott D. Boyd**, St. Louis, MO (US)

(73) Assignee: **Buckeye International, Inc.**, Maryland Heights, MO (US)

(**) Term: **15 Years**

(21) Appl. No.: **29/542,195**

(22) Filed: **Oct. 12, 2015**

(51) **LOC (10) Cl.** **23-02**

(52) **U.S. Cl.**
USPC **D6/545**

(58) **Field of Classification Search**
USPC D6/545, 542, 543, 544; 206/77.1; 221/282-283, 96, 132; 222/92, 105, 173, 222/180, 181.1, 181.2, 181.3, 282, 283
(Continued)

(56) **References Cited**

U.S. PATENT DOCUMENTS

2,591,969 A 4/1952 Sawchuk
2,772,116 A 11/1956 Dobkin
(Continued)

FOREIGN PATENT DOCUMENTS

DE 10316692 B3 11/2004
EP 0722780 A2 7/1996
(Continued)

OTHER PUBLICATIONS

Best Sanitizers, Inc. brochure, SANISHOT Manual Hand Care Dispenser, (date unknown, but at least as early as 2006), 2 pages.
(Continued)

(57) **CLAIM**

The ornamental design for a dispenser for dispensing cleaning solutions, a cover piece for a dispenser for dispensing cleaning solutions, and a portion of a dispenser for dispensing cleaning solutions, as shown and described.

DESCRIPTION

FIG. 1 is a perspective a dispenser for dispensing cleaning solutions of the present invention;
FIG. 2 is a front elevation of the dispenser for dispensing cleaning solutions of FIG. 1;
FIG. 3 is a right side elevation of the dispenser for dispensing cleaning solutions of FIG. 1, the left side elevation being a mirror image thereof;
FIG. 4 is a top plan of the dispenser for dispensing cleaning solutions of FIG. 1;
FIG. 5 is a bottom plan of the dispenser for dispensing cleaning solutions of FIG. 1;
FIG. 6 is a rear elevation of the dispenser for dispensing cleaning solutions of FIG. 1
FIG. 7 is a perspective of a cover piece of a dispenser for dispensing cleaning solutions of the present invention;
FIG. 8 is a front elevation of the cover piece of the dispenser for dispensing cleaning solutions of FIG. 7, the rear view forming no part of the invention;
FIG. 9 is a right side elevation of the cover piece of the dispenser for dispensing cleaning solutions of FIG. 7, the left side elevation being a mirror image thereof;
FIG. 10 is a top plan of the cover piece of the dispenser for dispensing cleaning solutions of FIG. 7;
FIG. 11 is a bottom plan of the cover piece of the dispenser for dispensing cleaning solutions of FIG. 7;
FIG. 12 is a perspective of a portion of a dispenser for dispensing cleaning solutions of the present invention;
FIG. 13 is a front elevation of the portion of the dispenser for dispensing cleaning solutions of FIG. 12, the rear view forming no part of the invention;

(Continued)

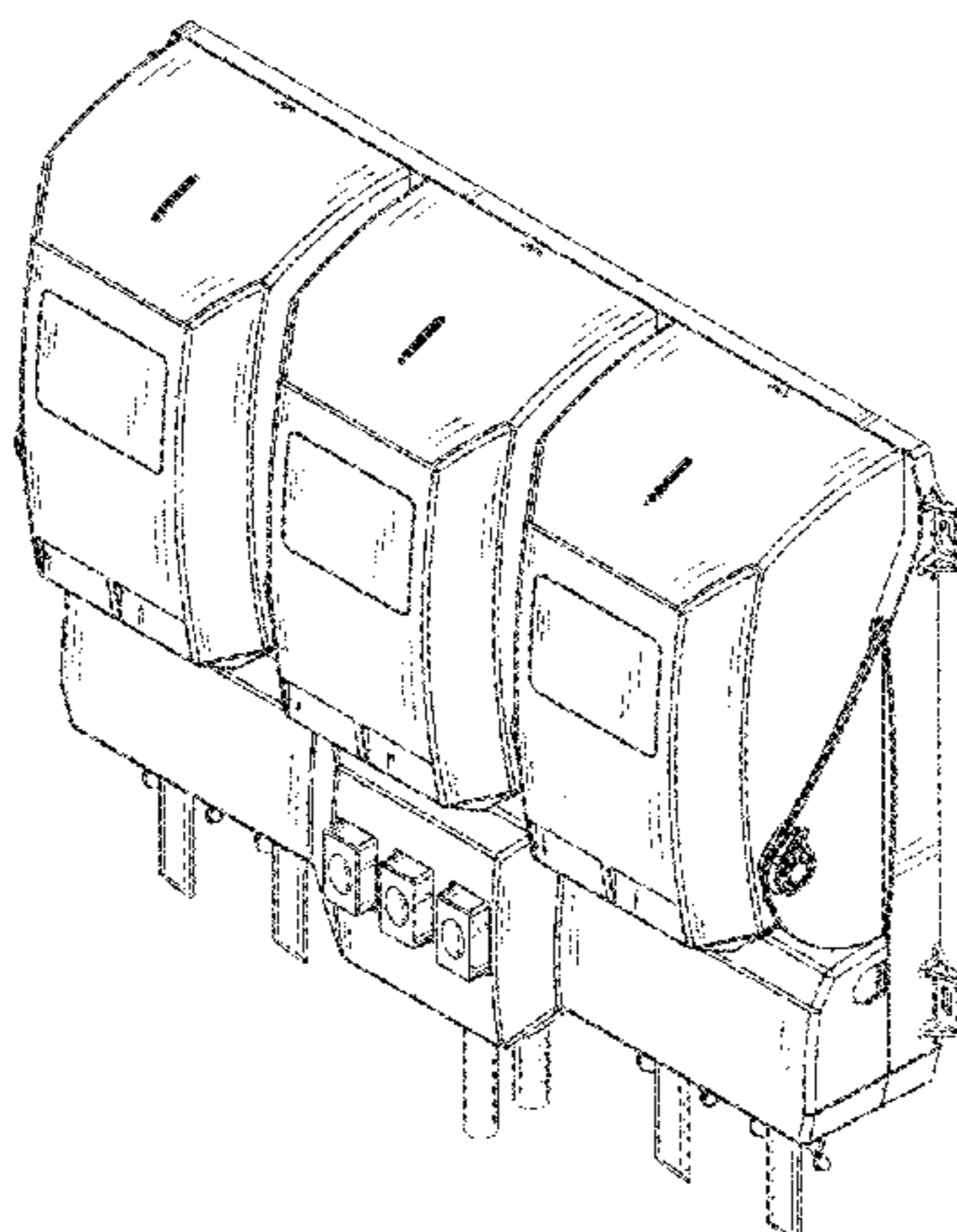


FIG. 14 is a right side elevation of the portion of the dispenser for dispensing cleaning solutions of FIG. 12, the left side elevation being a mirror image thereof; FIG. 15 is a top plan of the portion of the dispenser for dispensing cleaning solutions of FIG. 12; and, FIG. 16 is a bottom plan of the portion of the dispenser for dispensing cleaning solutions of FIG. 12. The broken lines shown in the figures represent portions of the article that form no part of the claimed design.

1 Claim, 16 Drawing Sheets

(58) **Field of Classification Search**

CPC B01L 3/52; B05B 11/3014; B05B 9/0403; B05B 9/0426; C11D 17/08; A45D 19/02; A47K 5/12; A47K 5/1202; A47K 5/1211; B67D 7/0255; B01F 15/0243; B01F 15/0254; B01F 5/12; B01F 5/20; B05D 5/00

See application file for complete search history.

(56) **References Cited**

U.S. PATENT DOCUMENTS

3,233,787	A	2/1966	Ross
3,653,554	A	4/1972	Turben
4,161,265	A	7/1979	Hauser et al.
4,164,306	A	8/1979	Perrin
D286,348	S	10/1986	Gaudet, Sr.
4,673,109	A	6/1987	Cassia
4,901,925	A	2/1990	Blake, III
4,978,035	A	12/1990	Morane et al.
D324,619	S	3/1992	Comstock et al.
D331,165	S	11/1992	Rooks
5,207,355	A	5/1993	Thomsen
5,238,155	A	8/1993	Blake, III
D343,974	S	2/1994	Sz-Hsing
5,363,993	A	11/1994	Mascitelli et al.
5,445,288	A	8/1995	Banks

5,489,044	A	2/1996	Ophardt
D378,642	S	4/1997	DeGennaro
D386,344	S	11/1997	Brandenburg et al.
D395,972	S	7/1998	Levy
5,842,609	A	12/1998	Higgins et al.
6,082,586	A	7/2000	Banks
6,082,593	A	7/2000	Borcherds
6,102,253	A	8/2000	Gallina et al.
6,237,812	B1	5/2001	Fukada
6,321,943	B1	11/2001	Strickler et al.
D465,367	S	11/2002	Pruijssers
7,568,598	B2	8/2009	Ophardt et al.
D599,501	S	9/2009	Dawkins
7,611,033	B2	11/2009	Ganzeboom
7,780,039	B2	8/2010	Criswell et al.
8,113,388	B2	2/2012	Ophardt et al.
8,261,945	B2	9/2012	Haworth
8,336,740	B1	12/2012	Daansen
8,505,776	B2	8/2013	Criswell et al.
8,863,989	B2	10/2014	Criswell et al.
D717,069	S	11/2014	Cheng
D728,966	S *	5/2015	Lewis D6/545
D742,137	S	11/2015	Criswell
D768,406	S *	10/2016	Patterson D6/545
2005/0006409	A1	1/2005	Ganzeboom
2005/0284888	A1	12/2005	Rhodenbaugh et al.
2007/0289987	A1 *	12/2007	Tramontina A47K 5/12 221/96
2009/0057345	A1	3/2009	Dukes

FOREIGN PATENT DOCUMENTS

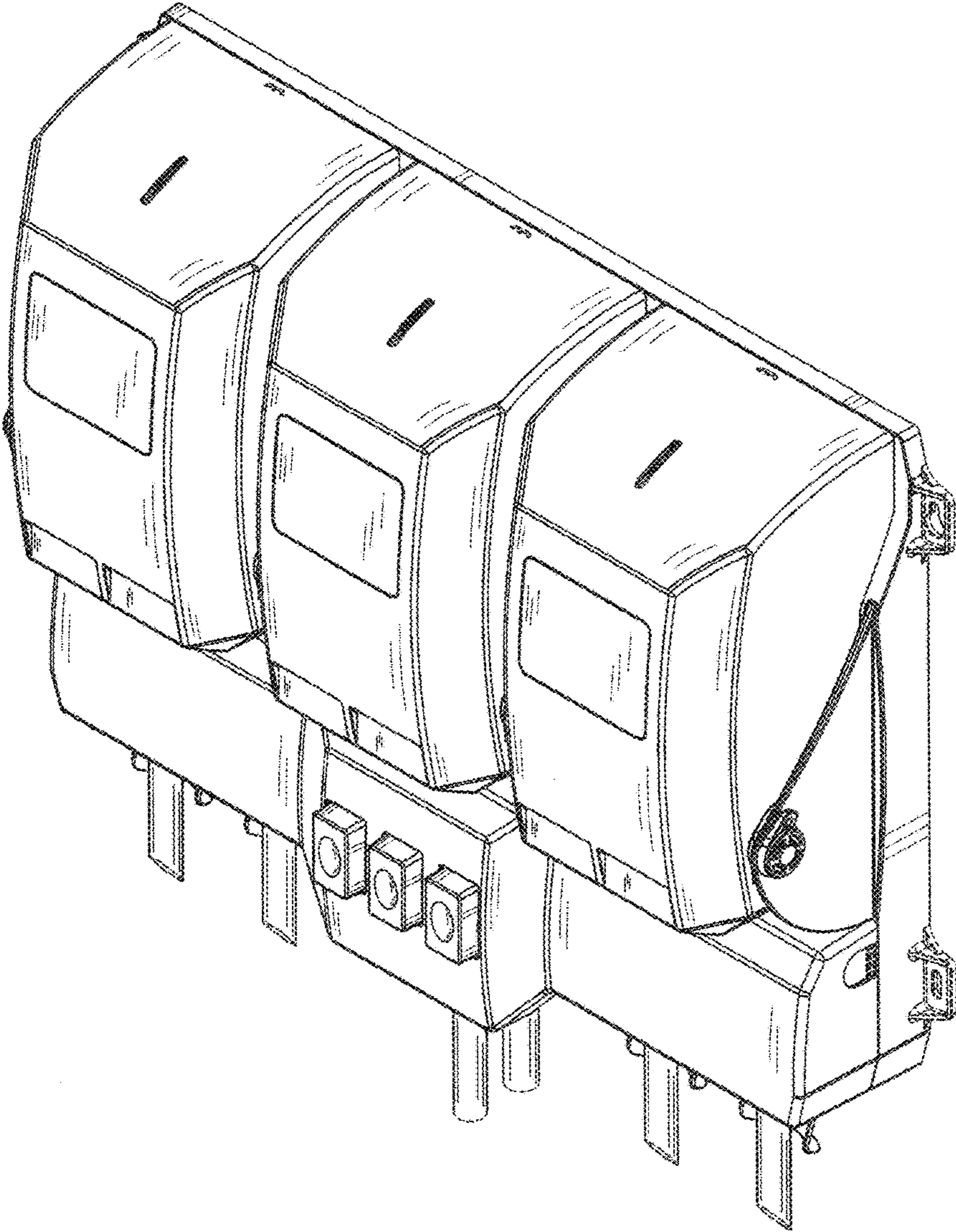
EP	1334683	A1	8/2003
WO	9712686		4/1997
WO	03059524	A1	7/2003

OTHER PUBLICATIONS

Stoko SkinCare brochure, Stoko Refresh Foam Soap dispenser, 2004, 3 pages, Stockhausen, Inc.
Bentfield Foam Soap Dispenser brochure, (date unknown, but at least as early as 2006), 2 pages.

* cited by examiner

FIG. 1



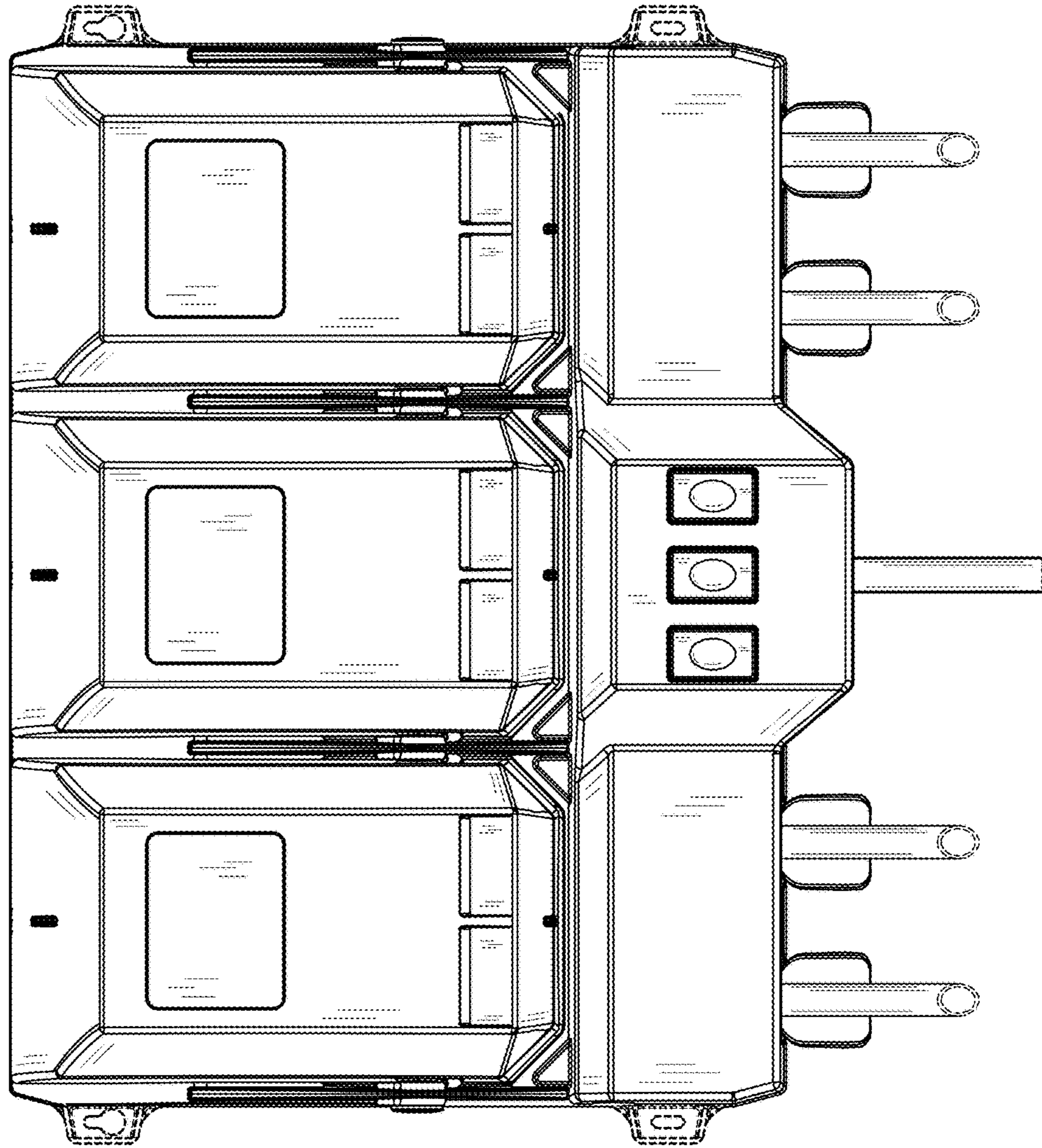
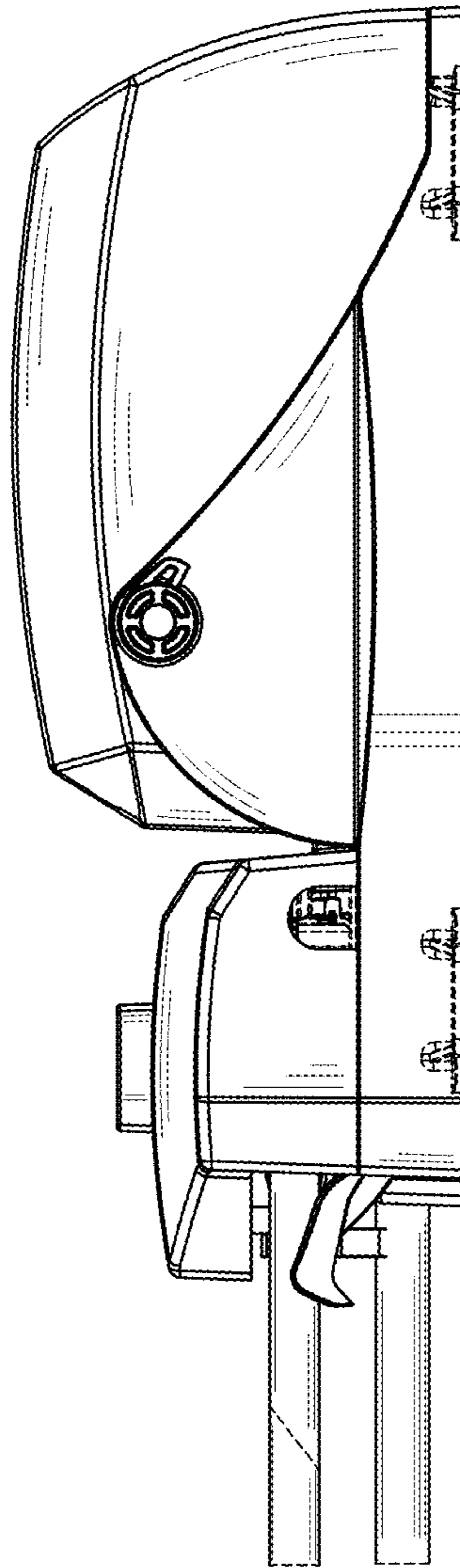


FIG. 2

FIG. 3



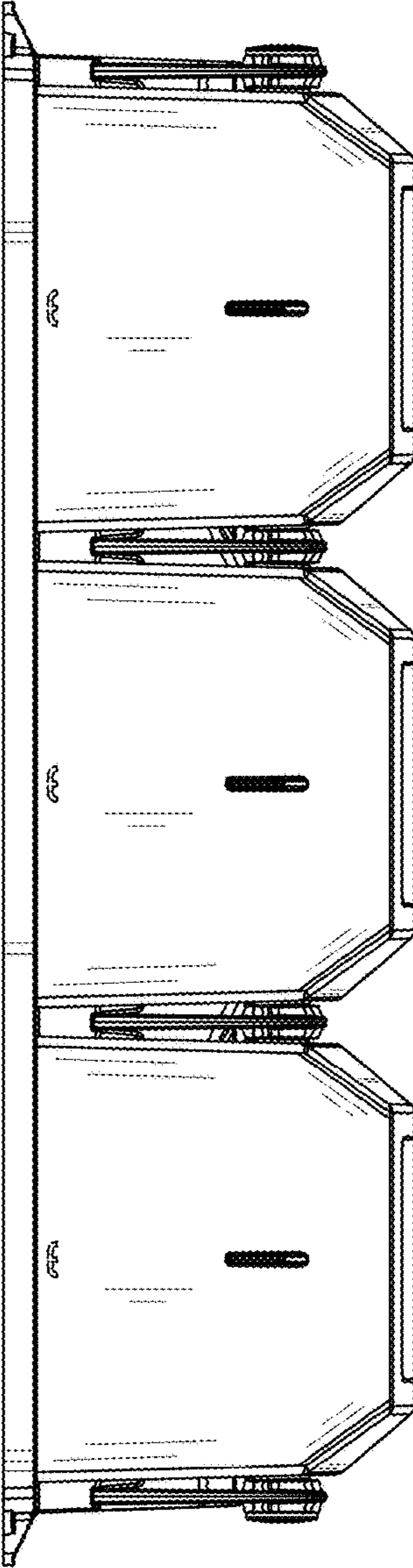


FIG. 4

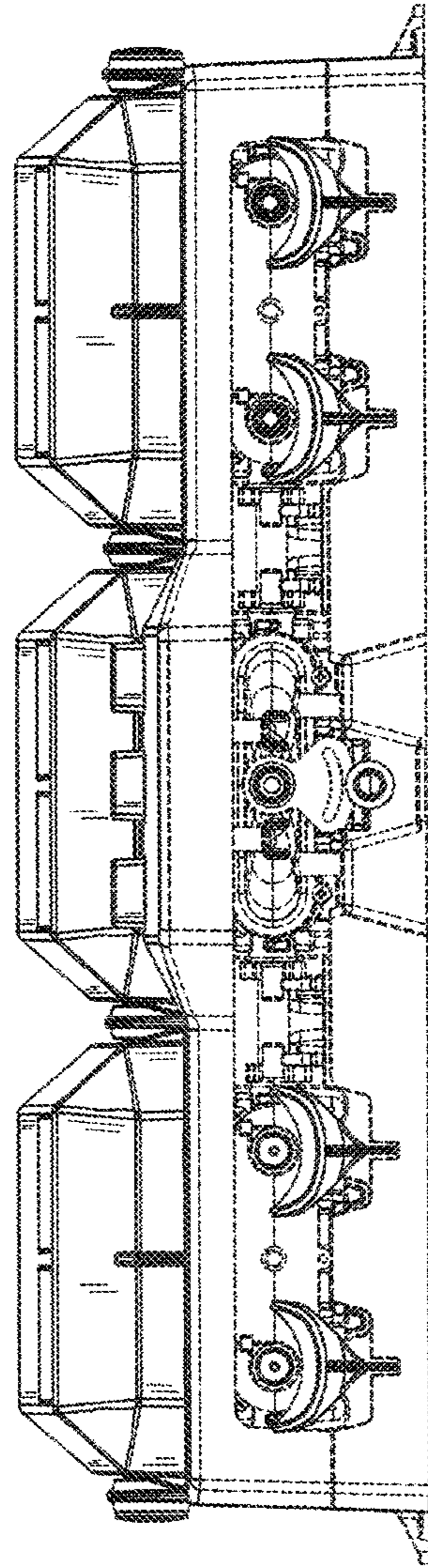


FIG. 5

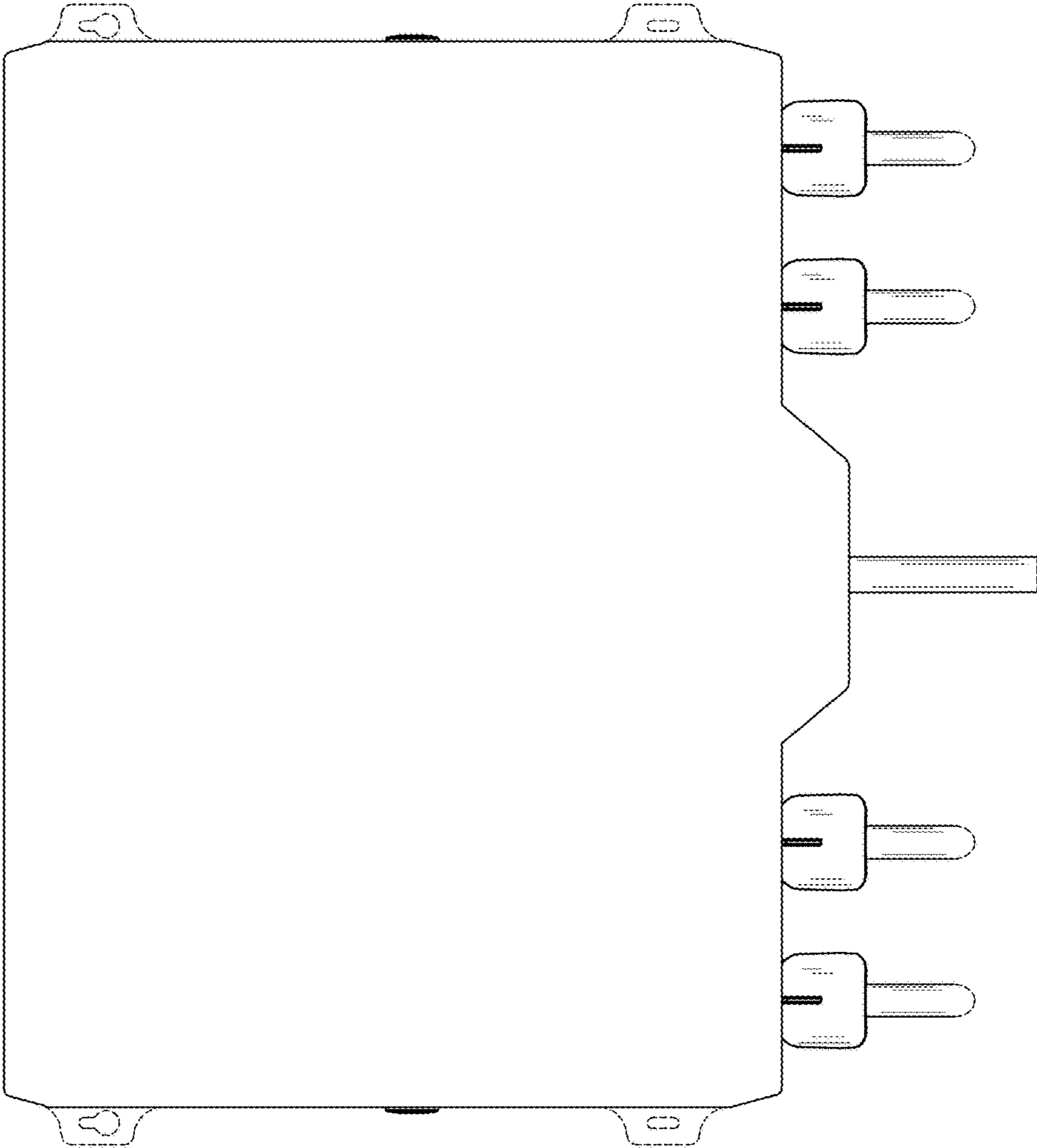


FIG. 6

FIG. 7

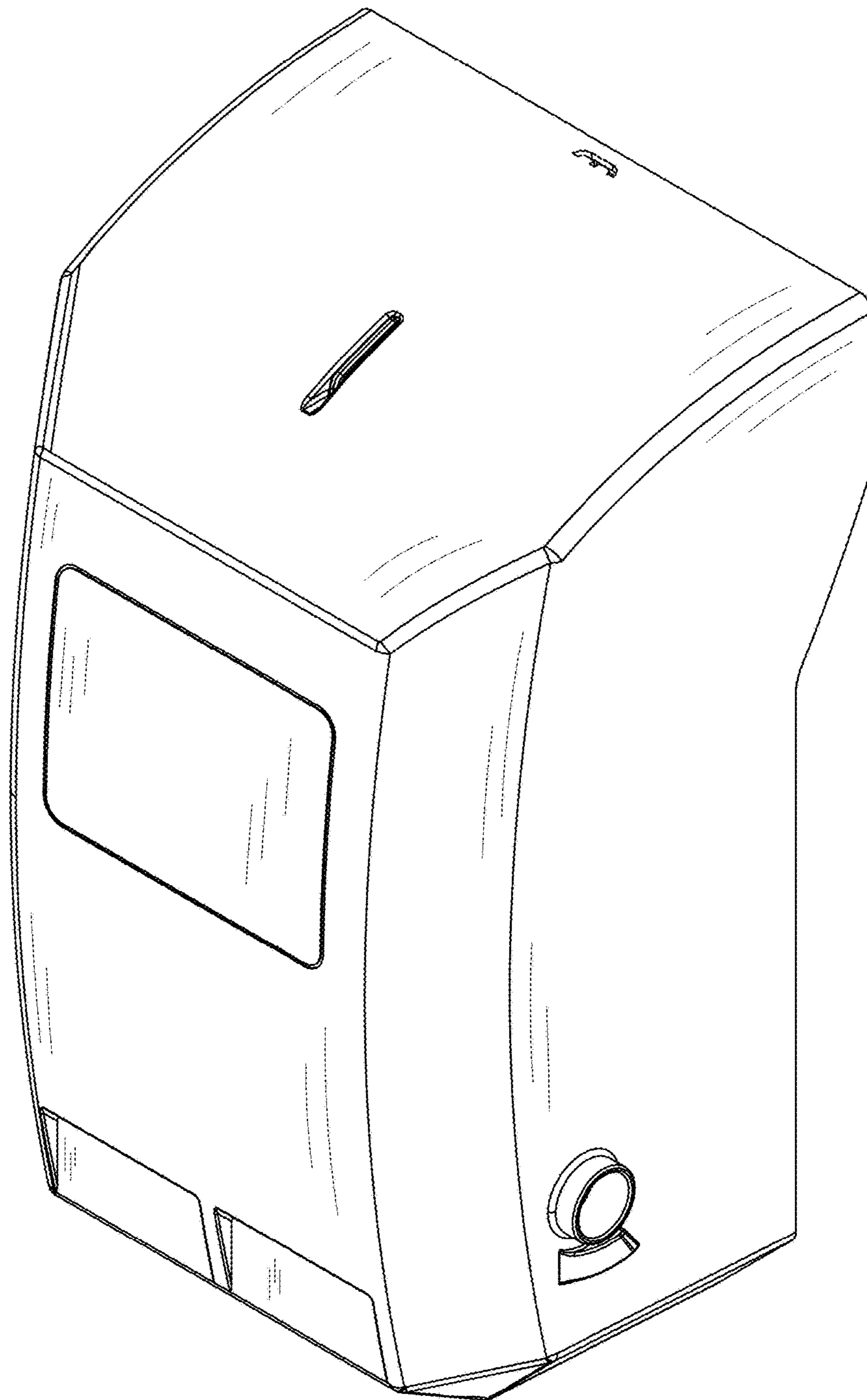


FIG. 8

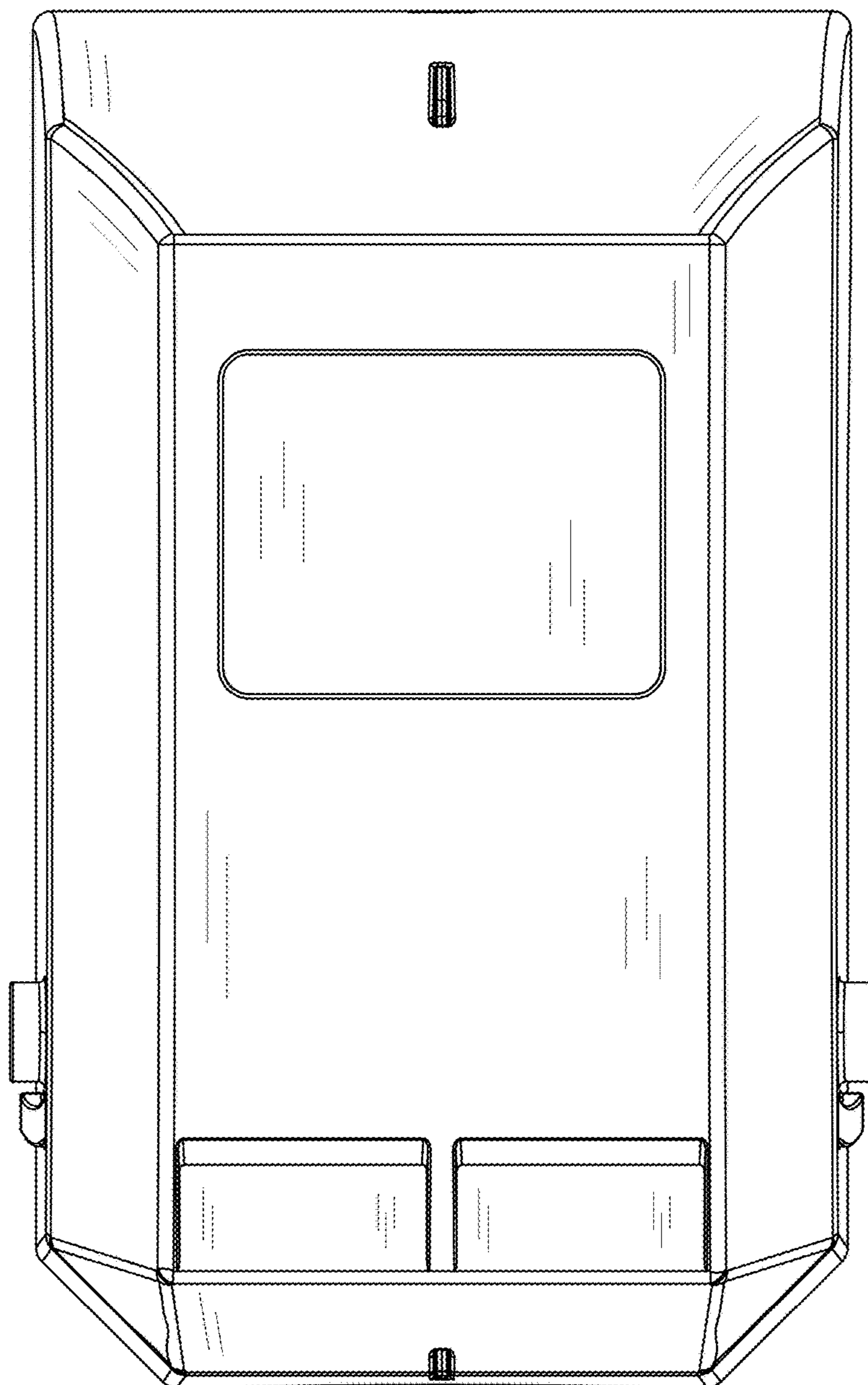


FIG. 9

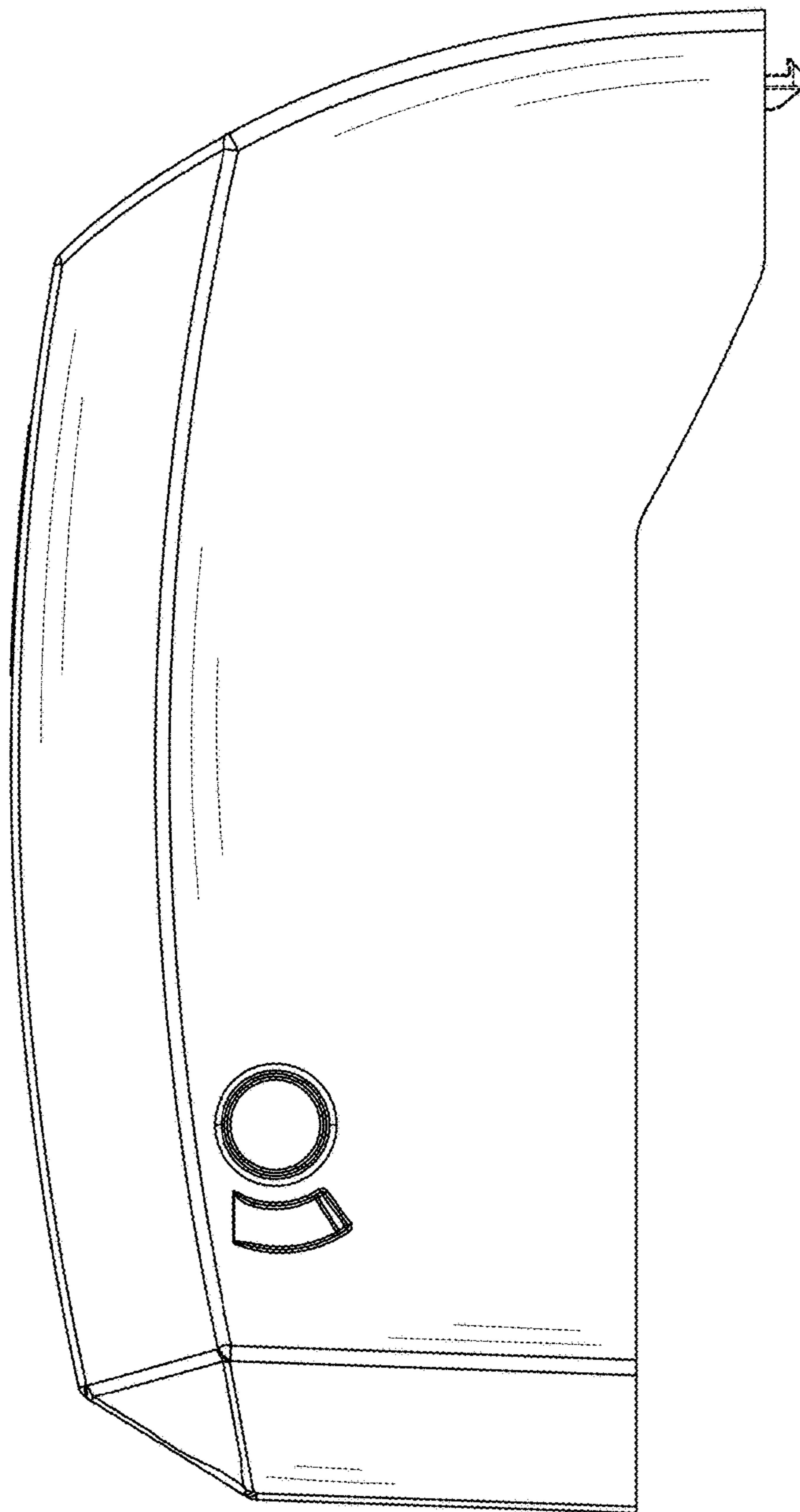


FIG. 10

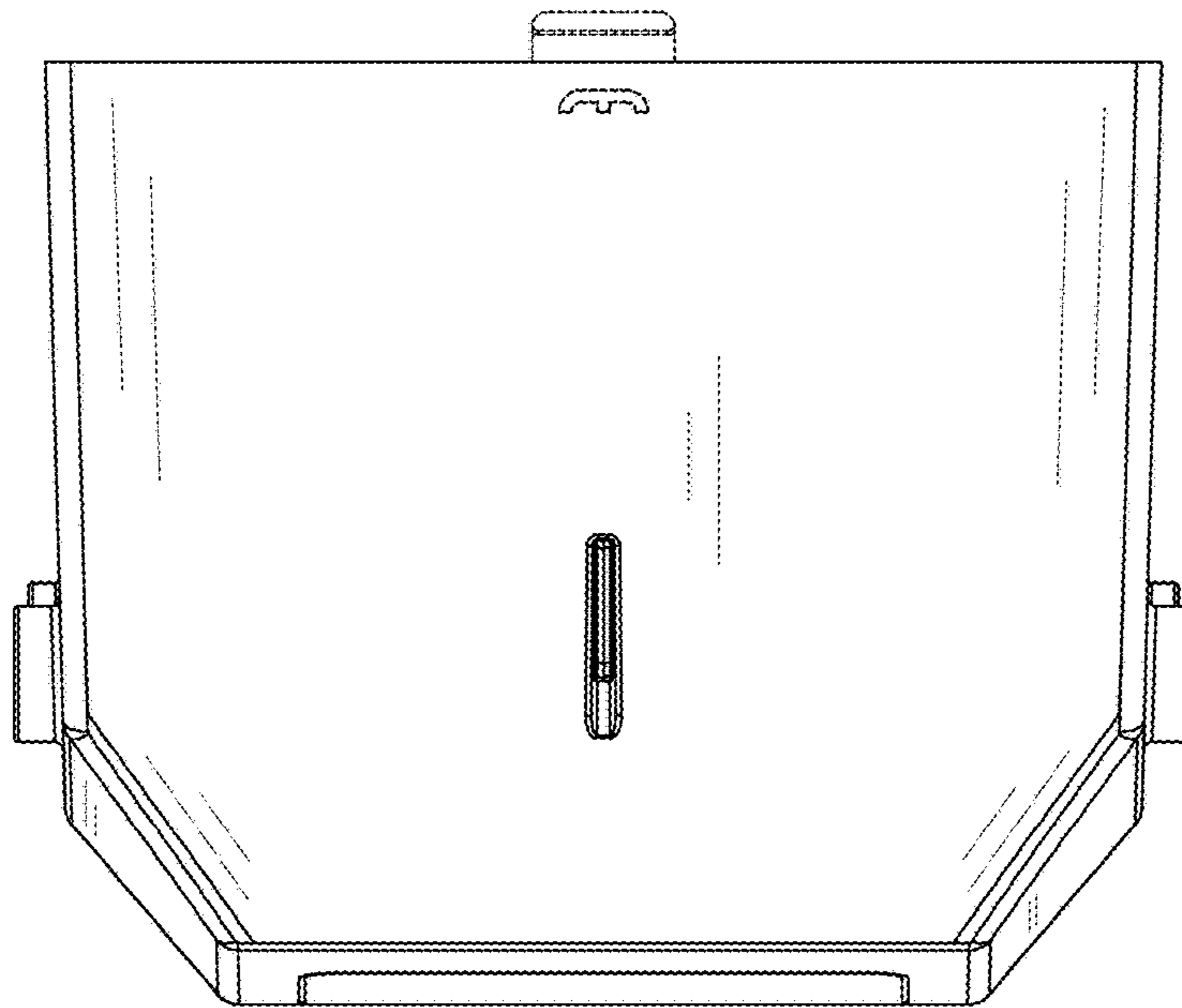
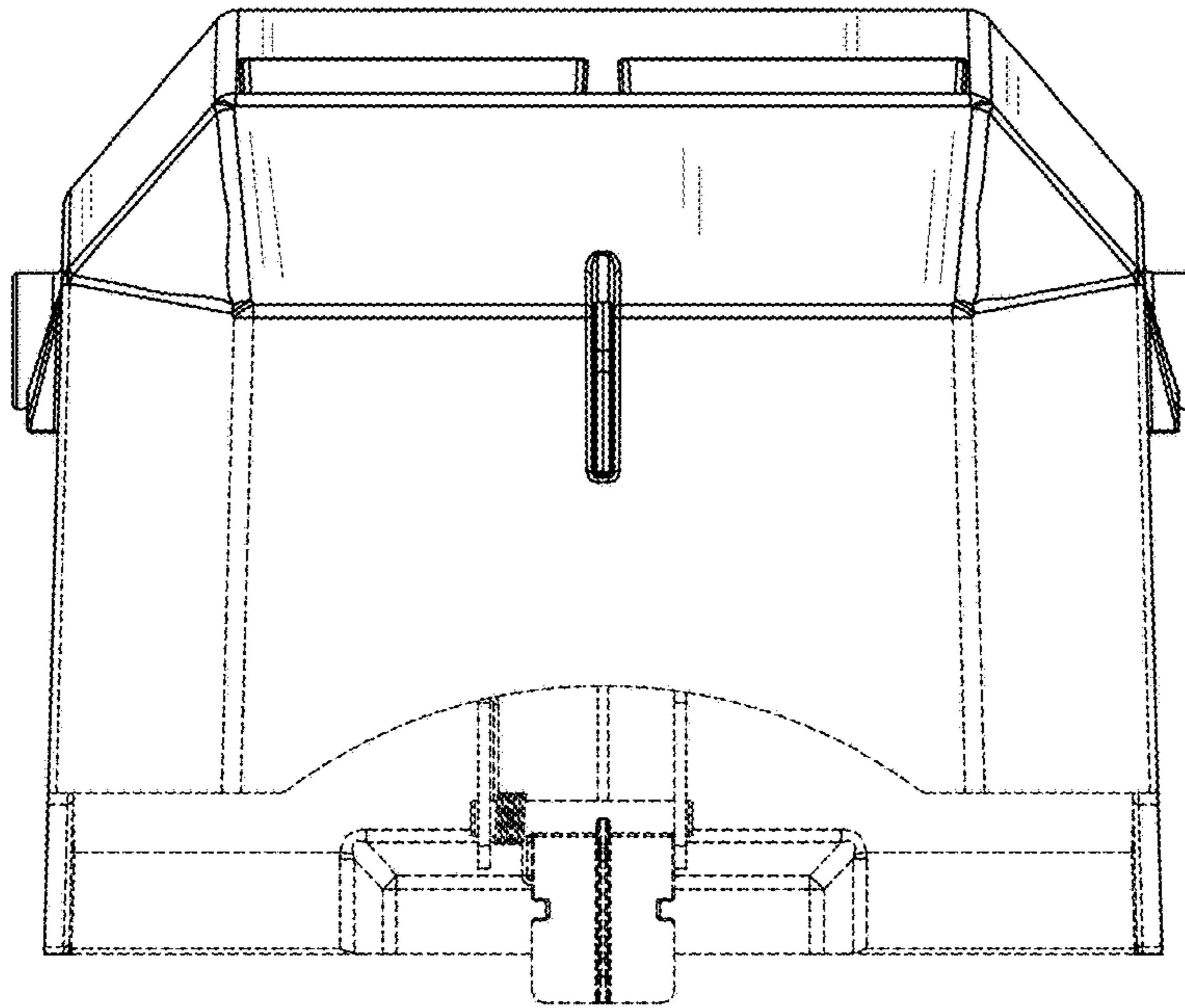


FIG. 11



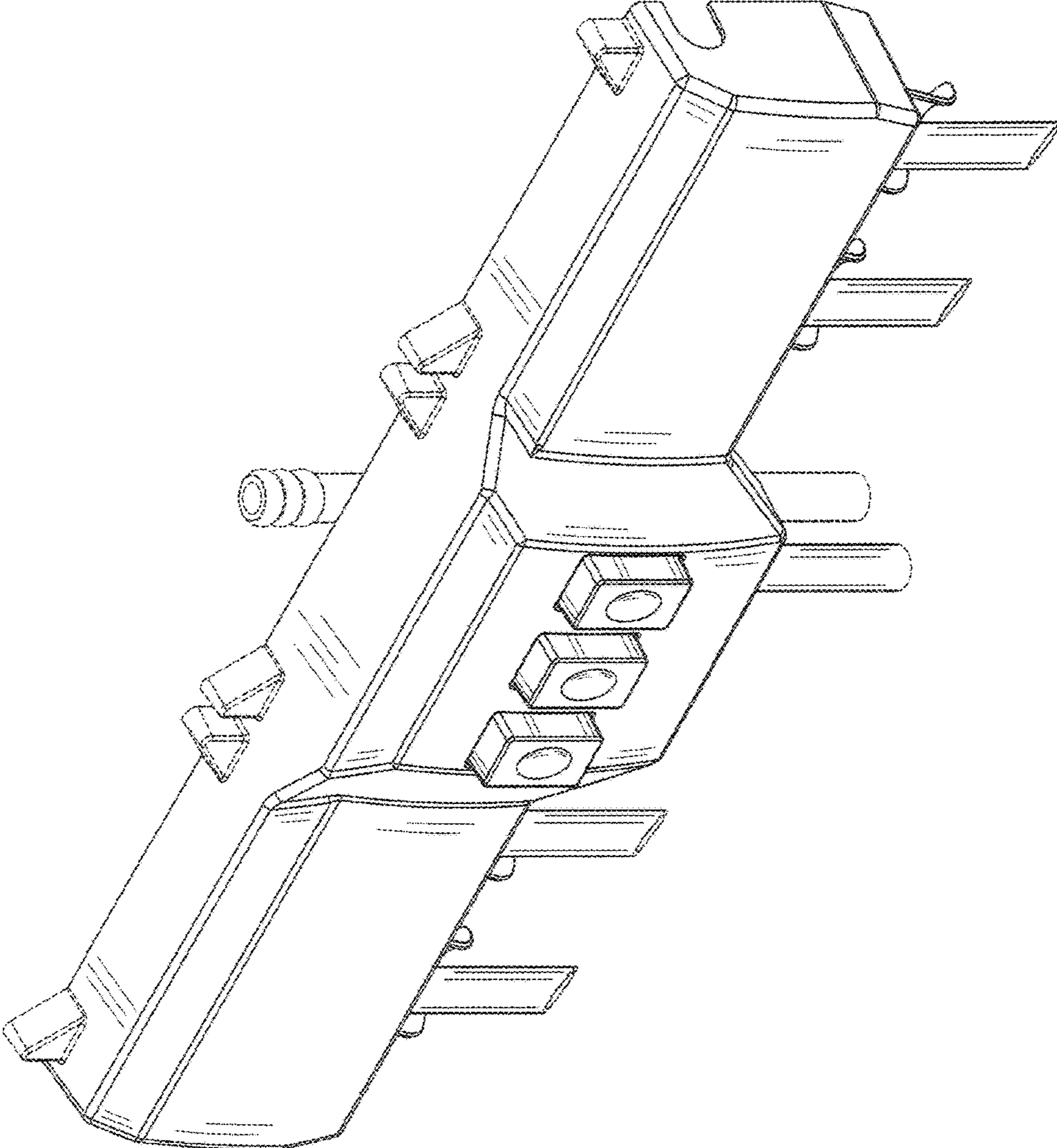


FIG. 12

FIG. 13

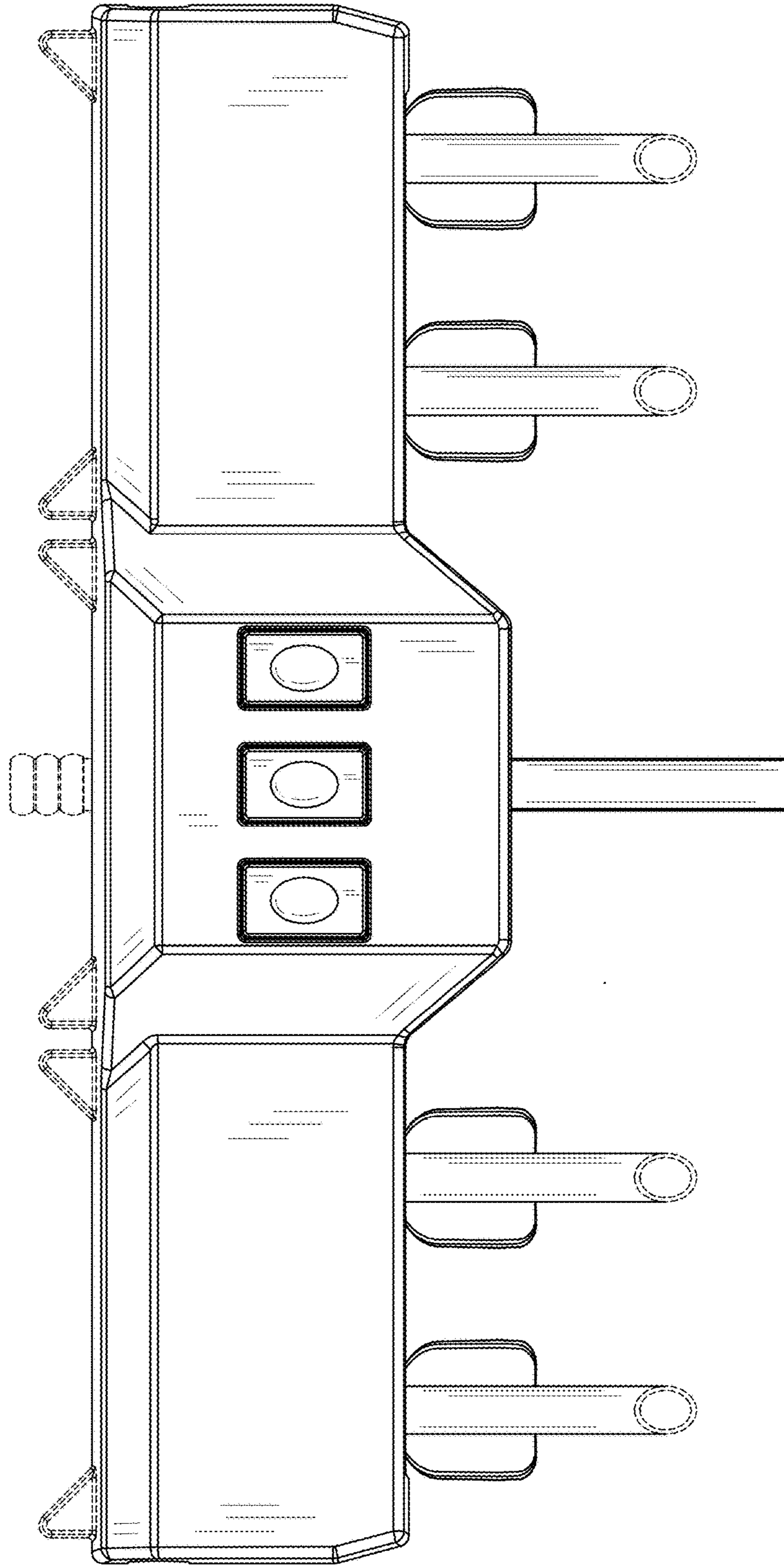


FIG. 14

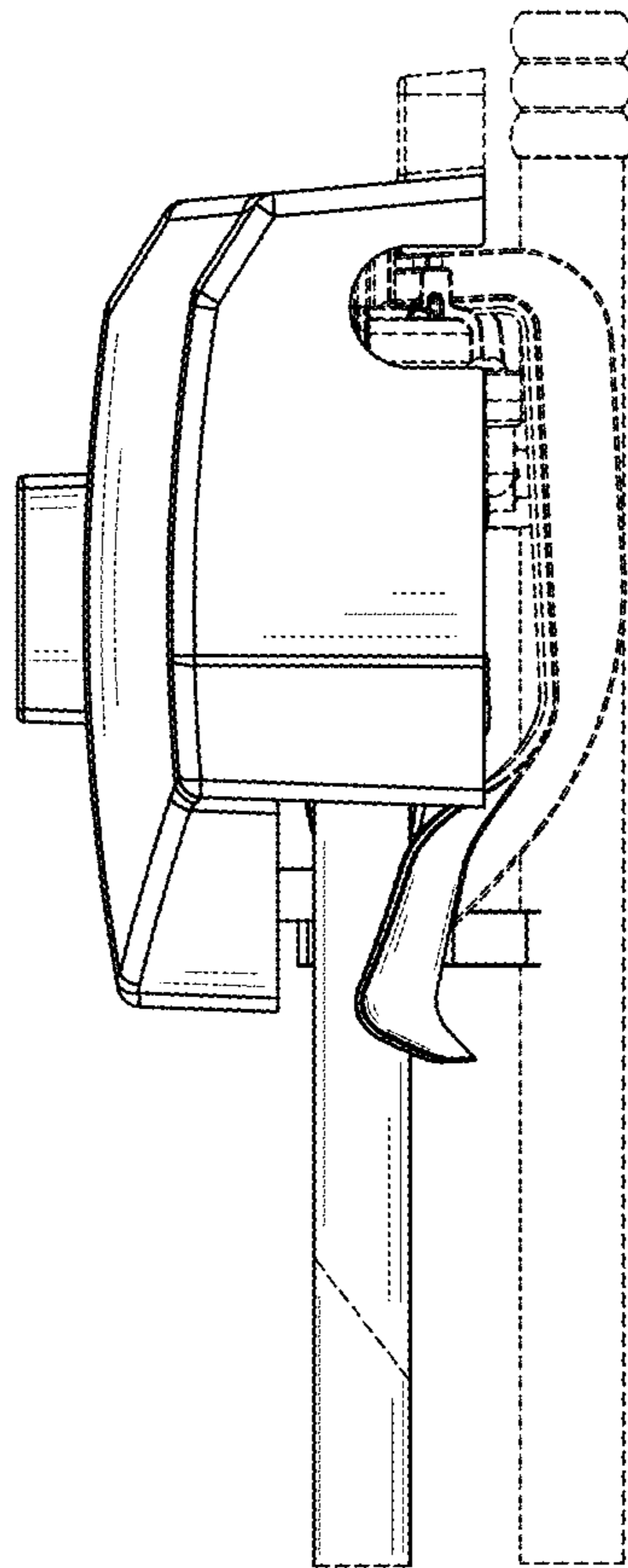
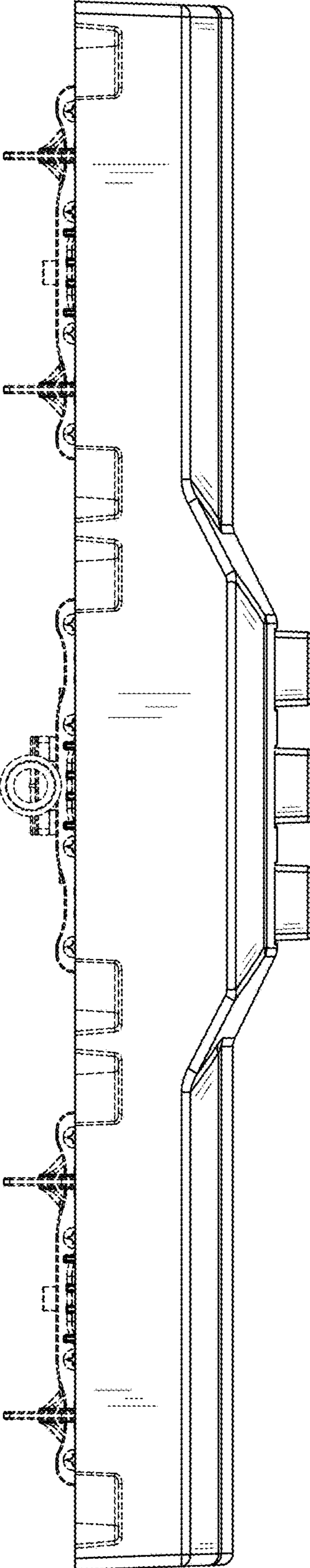


FIG. 15



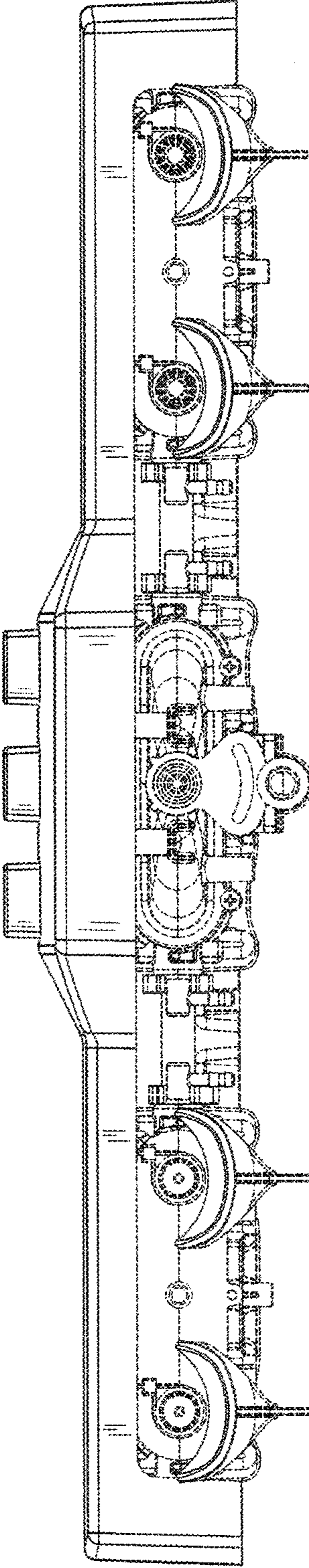


FIG. 16