



US00D795606S

(12) **United States Design Patent** (10) **Patent No.:** **US D795,606 S**
Cudworth (45) **Date of Patent:** **** Aug. 29, 2017**

(54) **CASSETTE FOR A WASTE STORAGE DEVICE**

3,643,586 A 2/1972 Robinson
3,653,176 A 4/1972 Gess
3,904,361 A 9/1975 Egger
4,614,073 A 9/1986 Argazzi
4,729,206 A 3/1988 Francis
4,869,049 A 9/1989 Richards et al.

(71) Applicant: **Sangenic International Limited,**
Northumberland (GB)

(Continued)

(72) Inventor: **Nicholas Cudworth,** Northumberland
(GB)

FOREIGN PATENT DOCUMENTS

(73) Assignee: **SANGENIC INTERNATIONAL LIMITED,** Cramlington
Northumberland (GB)

EP 2045197 4/2009
GB 2206094 12/1988

(Continued)

(**) Term: **15 Years**

OTHER PUBLICATIONS

(21) Appl. No.: **29/549,515**

Youtube.com, Simplee Sangenic Nappy Disposal Bin, Jul. 8, 2015,
https://www.youtube.com/watch?v=O2a47H2ODmA.*

(22) Filed: **Dec. 22, 2015**

(Continued)

(30) **Foreign Application Priority Data**

Dec. 21, 2015 (EM) 002918615-0002

(51) **LOC (10) Cl.** **20-02**

(52) **U.S. Cl.**
USPC **D6/515**

(58) **Field of Classification Search**
USPC D6/515, 518; 206/390, 397, 409, 303;
D34/10; 53/549, 567, 576; D7/354, 357,
D7/677, 359

CPC ... B65B 67/1277; B65B 9/20; B65B 67/1266;
B65B 43/267; B65F 1/062; B65F 1/1646;
B65F 1/16; B65F 2210/167; B65F
2240/132

See application file for complete search history.

Primary Examiner — David Muller

Assistant Examiner — Nathan Johnston

(74) *Attorney, Agent, or Firm* — Olson & Cepuritis, Ltd.

(57) **CLAIM**

The ornamental design for a cassette for a waste storage device, as shown and described.

DESCRIPTION

FIG. 1 is a top perspective view of a cassette for a waste storage device showing my new design;
FIG. 2 is a bottom perspective thereof;
FIG. 3 is a right side elevation view thereof, the left side elevation view being a mirror image thereof;
FIG. 4 is a front elevation view thereof;
FIG. 5 is a rear elevation view thereof;
FIG. 6 is a top plan view thereof; and,
FIG. 7 is a bottom plan view thereof.

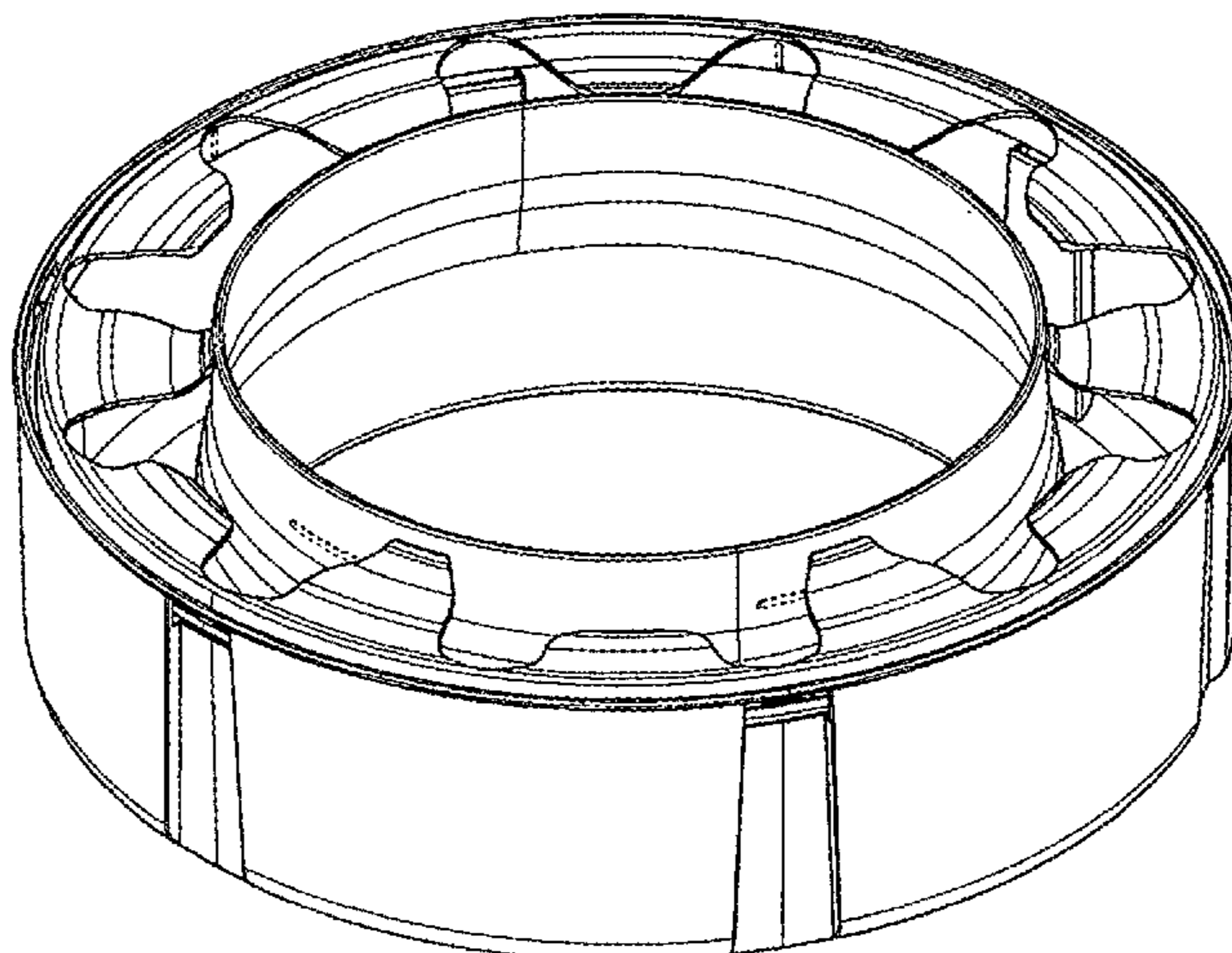
The broken lines in the drawings depict portions of the waste storage device that form no part of the claimed design.

(56) **References Cited**

U.S. PATENT DOCUMENTS

2,631,722 A * 3/1953 Klippert B65D 51/18
206/525
3,384,140 A * 5/1968 Brothers B65H 75/02
206/389

1 Claim, 7 Drawing Sheets



(56)

References Cited

U.S. PATENT DOCUMENTS

5,186,358 A * 2/1993 McVay B67C 11/02
141/332

5,704,886 A 1/1998 Sampaolo et al.

6,128,890 A 10/2000 Firth

D497,536 S * 10/2004 Fujiwara D8/354

6,925,781 B1 8/2005 Knuth et al.

6,931,684 B1 * 8/2005 Henegar A61G 7/02
5/604

7,003,934 B1 2/2006 Yano

7,594,376 B2 9/2009 Chomik

7,694,493 B2 4/2010 Stravitz et al.

D614,897 S * 5/2010 Morand D6/515

D615,786 S * 5/2010 Morand D6/515

7,712,285 B2 5/2010 Stravitz et al.

7,743,588 B2 6/2010 Webb et al.

7,958,704 B2 6/2011 Stravitz et al.

8,230,995 B2 * 7/2012 Andrews A01D 34/416
206/403

8,266,870 B1 * 9/2012 Stravitz B65B 51/00
53/370

D695,541 S 12/2013 Dunn

8,613,371 B2 12/2013 Rouso et al.

D699,545 S * 2/2014 Ackerman D8/349

D700,789 S * 3/2014 Morand D6/515

D701,056 S * 3/2014 Morand D6/515

8,678,222 B2 * 3/2014 Thorpe A45C 13/008
132/293

D705,568 S 5/2014 Morand

D706,055 S * 6/2014 Morand D6/515

8,783,499 B2 7/2014 Lacy et al.

8,870,093 B2 * 10/2014 Brummitt B05B 7/045
222/105

D739,666 S 9/2015 Schofield

9,302,847 B2 4/2016 Cudworth et al.

2004/0083681 A1 5/2004 Stravitz

2005/0045654 A1 * 3/2005 Kuge B65D 75/5877
222/105

2005/0193692 A1 9/2005 Stravitz et al.

2006/0130438 A1 6/2006 Stravitz et al.

2006/0130439 A1 6/2006 Stravitz et al.

2007/0138037 A1 * 6/2007 Hasenbusch B65D 57/00
206/303

2008/0206096 A1 8/2008 Deka

2008/0272140 A1 11/2008 Mowers

2009/0100806 A1 * 4/2009 Morand B65B 67/1277
53/567

2010/0122921 A1 * 5/2010 Fiore B64F 5/0036
206/303

2011/0011608 A1 1/2011 Saur

2011/0099954 A1 5/2011 Cudworth

2011/0154779 A1 6/2011 Baba et al.

2011/0155839 A1 * 6/2011 Wells B65H 35/0073
242/570

2011/0232240 A1 * 9/2011 Lacy B65F 1/062
53/576

2012/0186193 A1 7/2012 Frabetti et al.

2012/0311974 A1 12/2012 Stravitz et al.

2013/0118641 A1 * 5/2013 Beranger B05B 11/001
141/363

2013/0306676 A1 * 11/2013 Fishel B65D 77/067
222/105

2014/0110293 A1 * 4/2014 Dunn B65F 1/062
206/389

2014/0124533 A1 * 5/2014 Melia B05C 17/00583
222/95

2015/0239726 A1 * 8/2015 Bischel F16J 15/3236
222/173

FOREIGN PATENT DOCUMENTS

GB	2292725	3/1996
WO	9939995	8/1999
WO	2005042381	5/2005
WO	2010092325	8/2010

OTHER PUBLICATIONS

Written Opinion of International Search Report Jun. 16, 2010 for PCT/GB2010/000207.

International Search Report Jun. 16, 2010 for PCT/GB2010/000207.

* cited by examiner

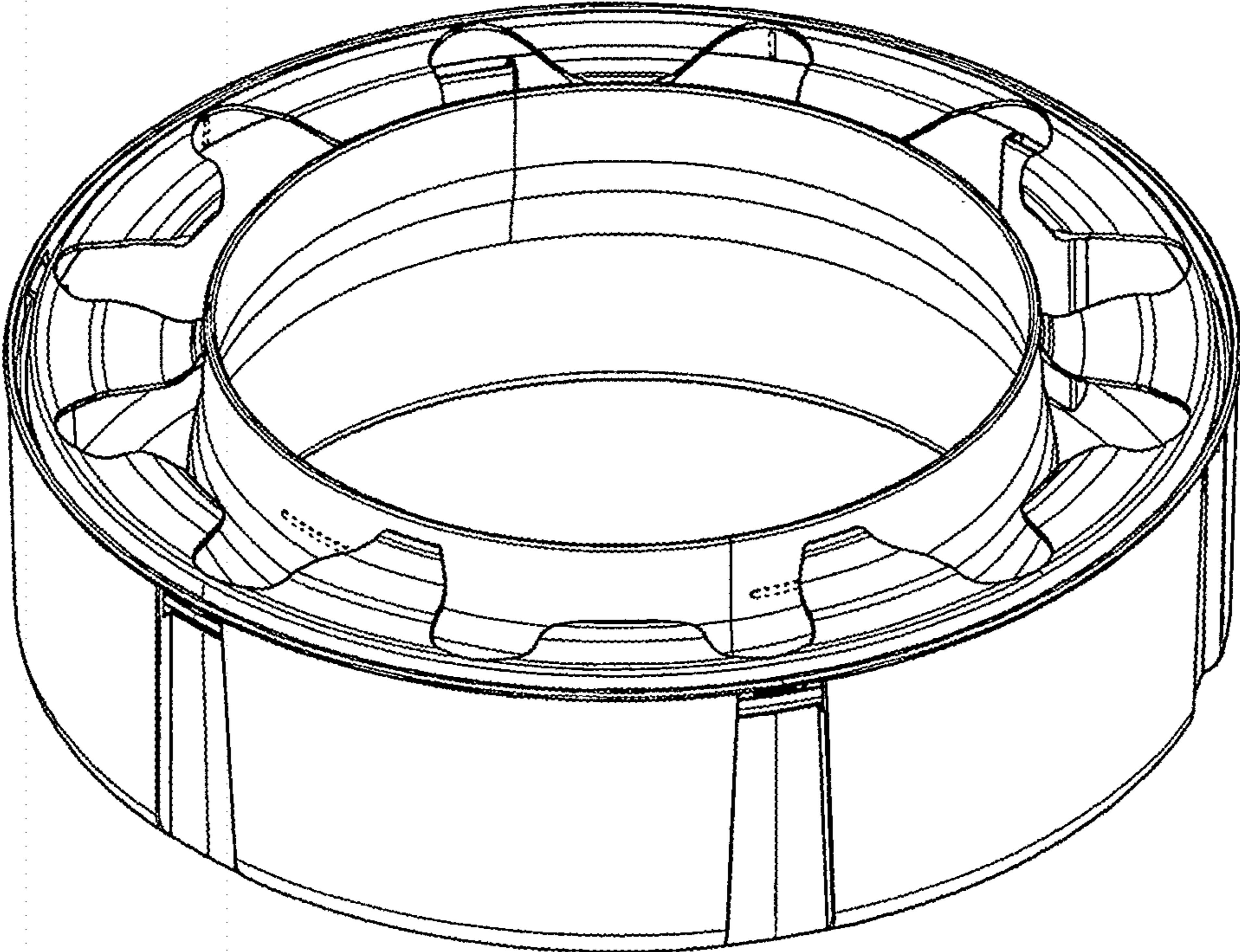


FIG. 1

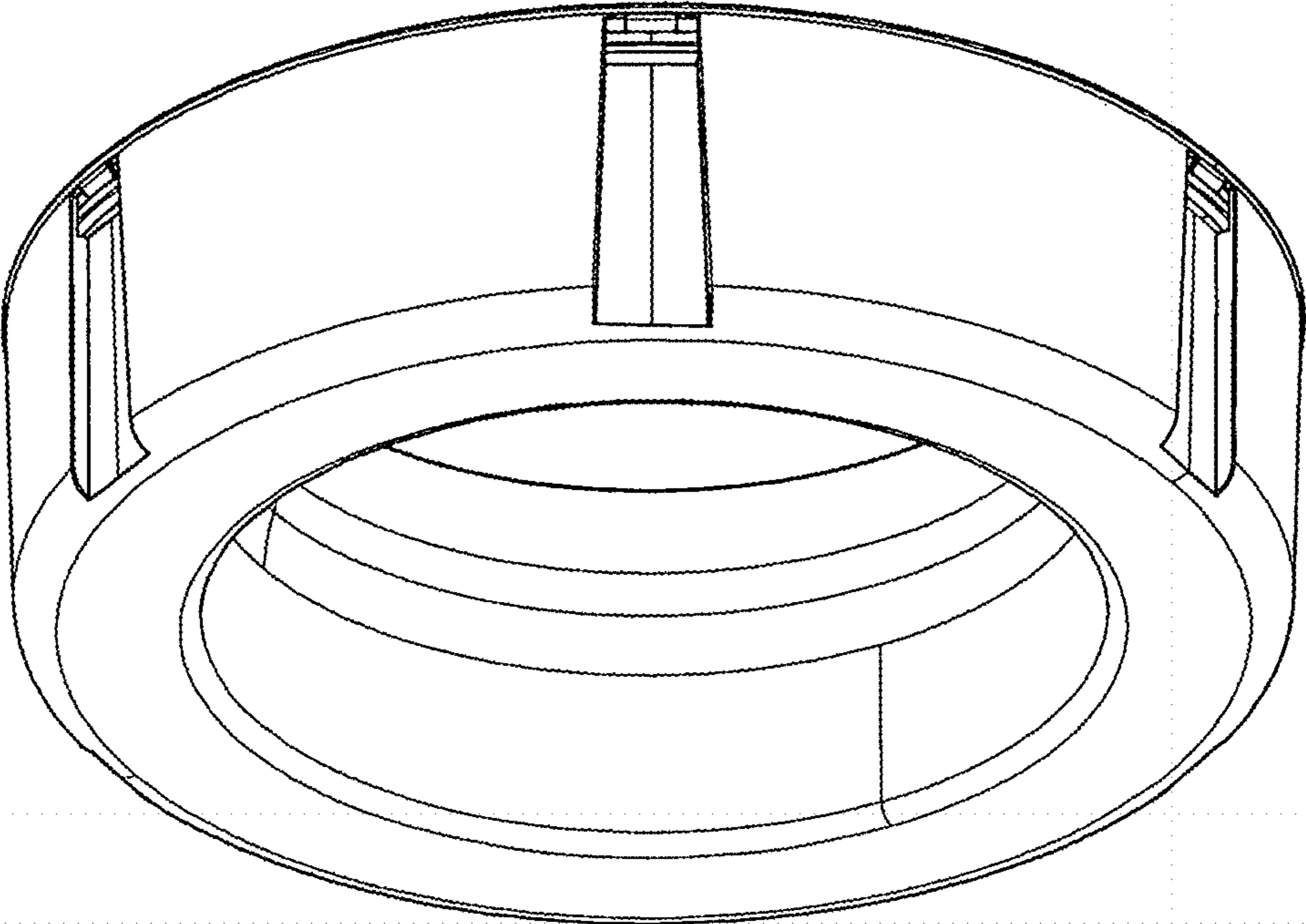


FIG. 2

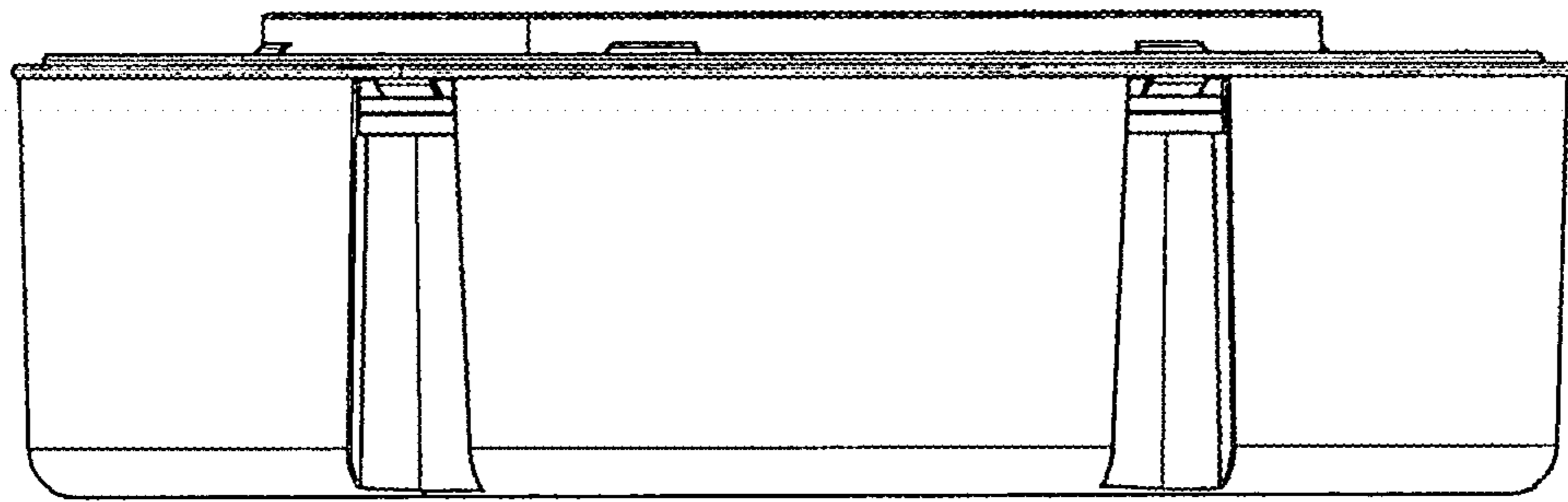


FIG. 3

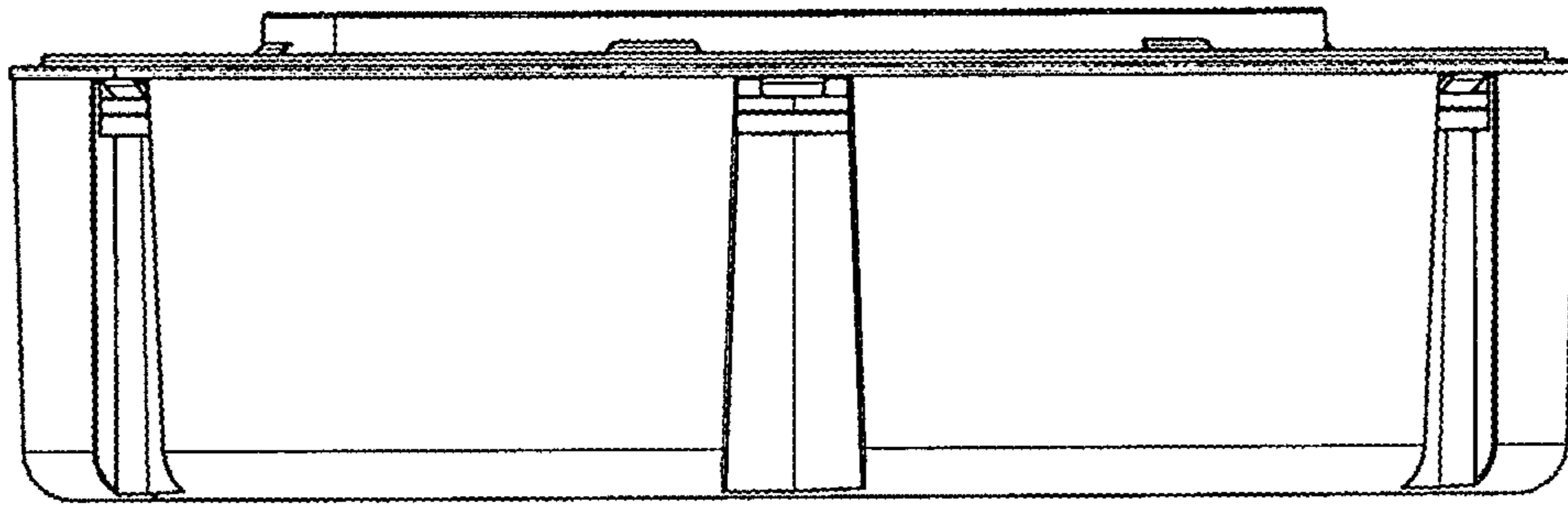


FIG. 4

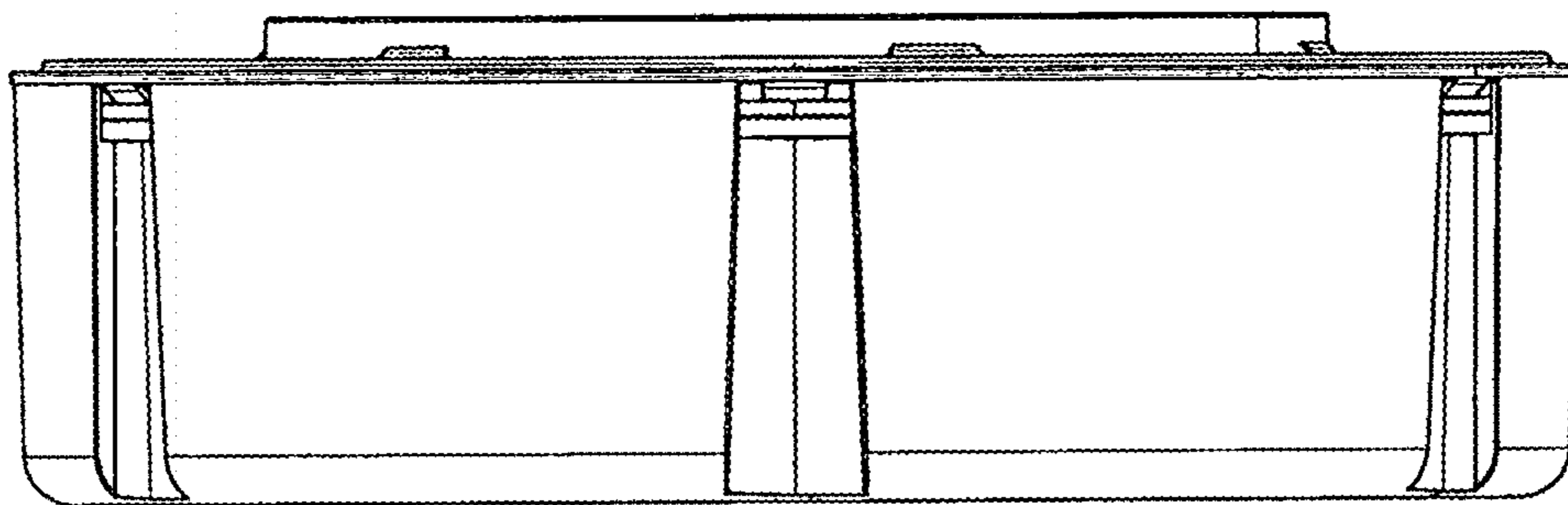


FIG. 5

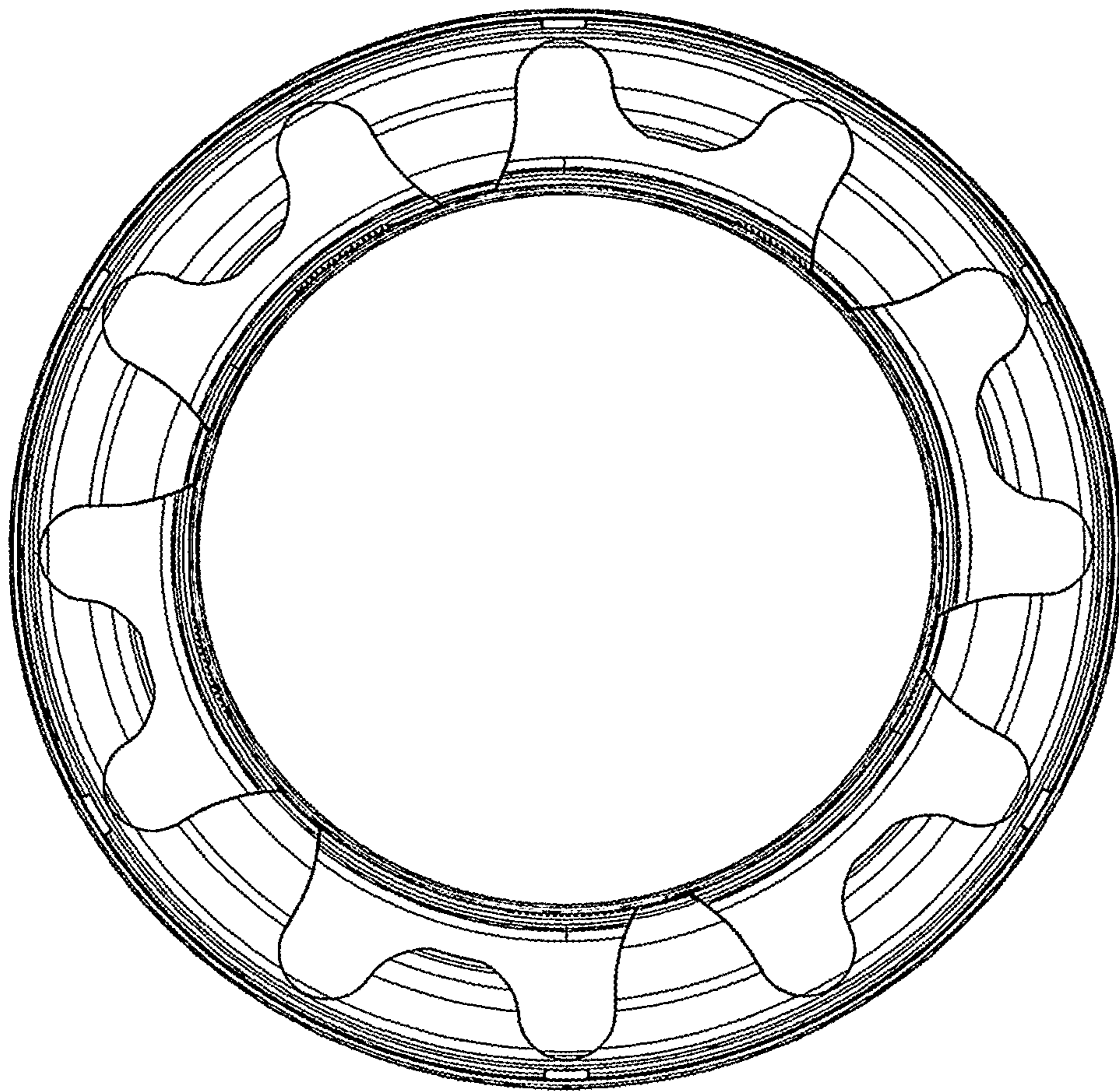


FIG. 6

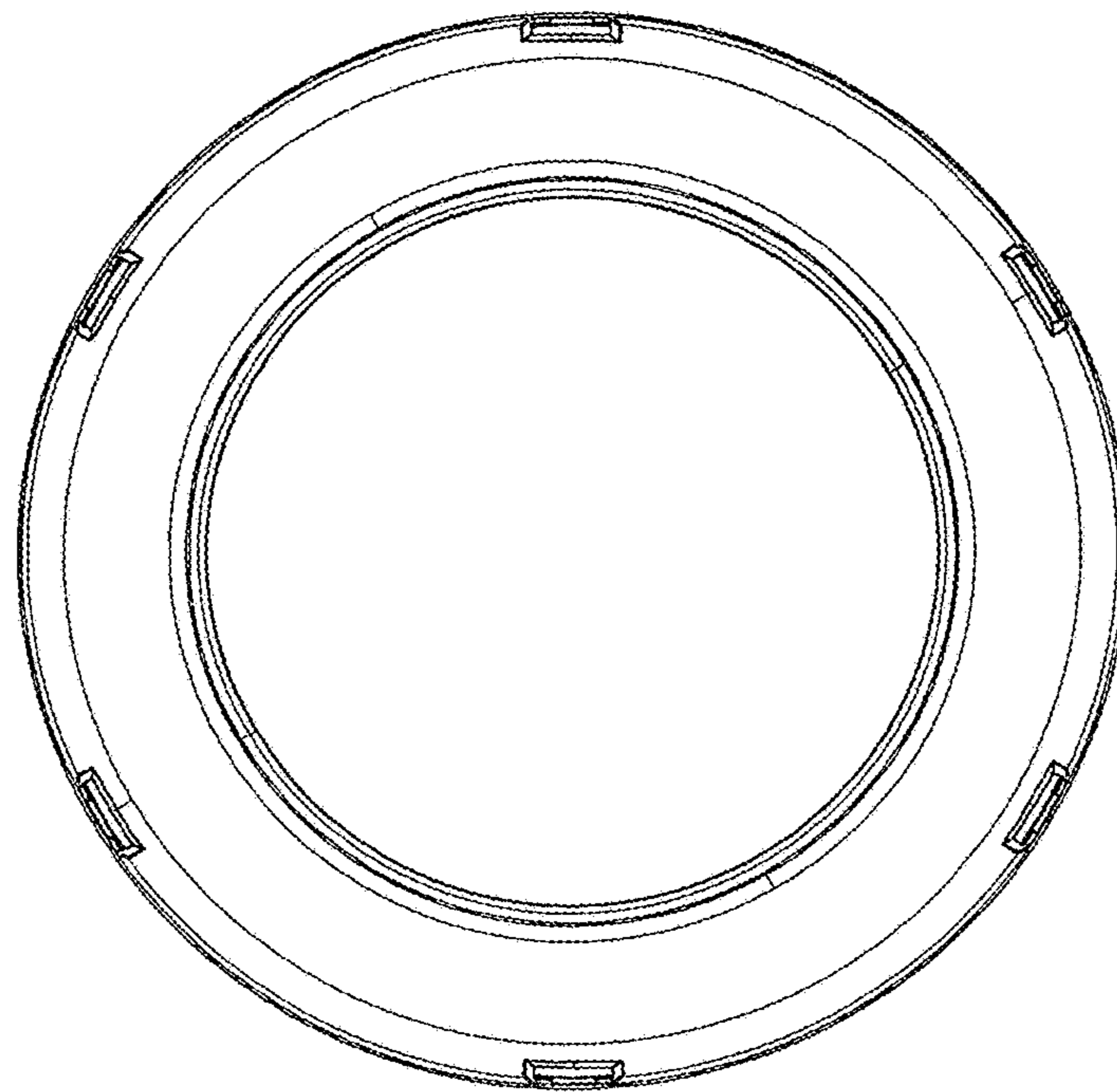


FIG. 7