



US00D795605S

(12) **United States Design Patent** (10) **Patent No.:** **US D795,605 S**  
**Heffernan** (45) **Date of Patent:** **\*\* Aug. 29, 2017**

(54) **WORKSTATION FOR SUPPORTING MATERIALS, EQUIPMENT, AND THE LIKE ON RAILING**

(71) Applicant: **Heff Industries Inc.**, Longmont, CO (US)

(72) Inventor: **Matthew Paul Heffernan**, Estes Park, CO (US)

(73) Assignee: **Heff Industries Inc.**, Longmont, CO (US)

(\*\*) Term: **15 Years**

(21) Appl. No.: **29/540,893**

(22) Filed: **Sep. 29, 2015**

(51) **LOC (10) Cl.** ..... **03-01**

(52) **U.S. Cl.**  
USPC ..... **D6/512**

(58) **Field of Classification Search**  
USPC ..... D6/524, 525; D3/206, 304, 308, 310, D3/313, 315, 901, 903; D7/500, 505, D7/555, 590, 601, 637, 640, 641, 701; D11/143, 146, 152; D19/75-80, 85, 90, D19/92; 206/214; 211/10, 11, 13.1, 50, 211/55, 62, 69.1-69.9, 70.6, 70.7, 211/119.011; D28/73; 220/507, 533, 220/555; 47/41.1, 65.5, 66.1, 66.6, 66.7, 47/69

CPC . B43K 23/001; B43M 99/001; B43M 99/008; B43M 99/006

See application file for complete search history.

(56) **References Cited**

**U.S. PATENT DOCUMENTS**

- 3,807,319 A \* 4/1974 Steanson, Jr. .... A47C 7/62 108/42
- D279,384 S \* 6/1985 Evenson ..... D19/75
- D280,669 S \* 9/1985 Hammeke ..... D3/308
- D289,247 S \* 4/1987 Wang ..... D6/406.6

- D299,687 S \* 2/1989 Handler ..... D6/574
- D306,365 S \* 2/1990 Brown ..... D32/35
- D309,687 S \* 8/1990 Embree ..... D6/552
- D352,202 S \* 11/1994 Campbell ..... D7/546
- D378,726 S \* 4/1997 Dunn ..... D7/549
- D396,162 S \* 7/1998 Mutti ..... D6/567
- D396,953 S \* 8/1998 Iversen ..... D3/310
- D396,955 S \* 8/1998 Iversen ..... D19/75
- D396,956 S \* 8/1998 Iversen ..... D19/75
- 5,850,956 A \* 12/1998 Hayward, Jr. .... A45F 5/00 108/43
- D407,254 S \* 3/1999 DeBooth ..... D6/553
- D411,509 S \* 6/1999 Schlegel ..... D13/118

(Continued)

**OTHER PUBLICATIONS**

Heff Industries, 24" Big Mule Workstation, Jul. 26, 2016, <https://heffindustries.com/store/#!/24-Big-Mule-Workstation/p/55583343/category=0>.\*

*Primary Examiner* — David Muller

*Assistant Examiner* — Nathan Johnston

(74) *Attorney, Agent, or Firm* — Senniger Powers LLP

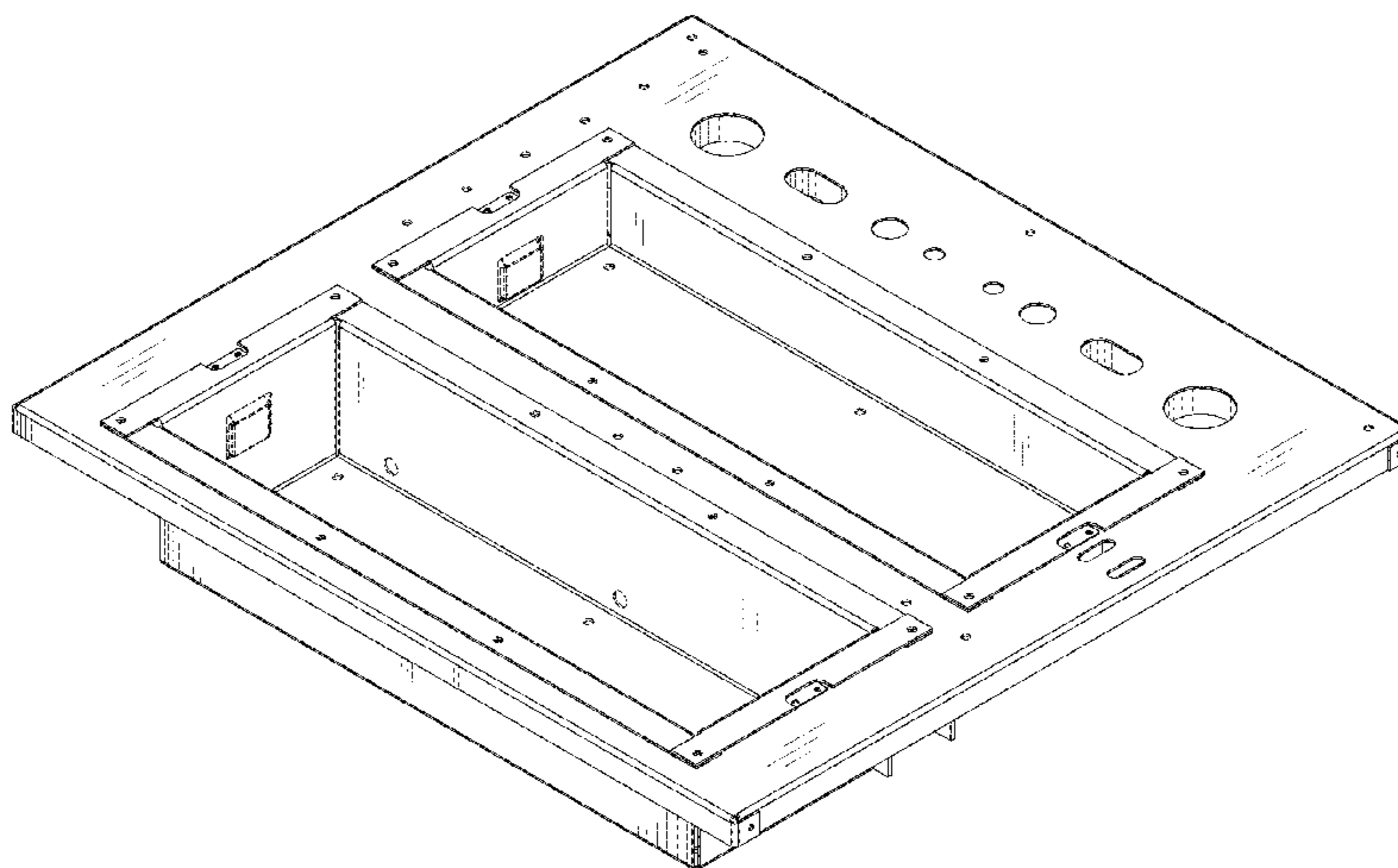
(57) **CLAIM**

The ornamental design for a workstation for supporting materials, equipment, and the like on railing, as shown and described.

**DESCRIPTION**

FIG. 1 is a top, front, and right side perspective view of a workstation of the claimed design;  
FIG. 2 is a front elevation view thereof;  
FIG. 3 is a top plan view thereof;  
FIG. 4 is a right side elevation view thereof;  
FIG. 5 is a left side elevation view thereof;  
FIG. 6 is a bottom plan view thereof; and,  
FIG. 7 is a rear elevation view thereof.  
The elements shown in phantom indicate unclaimed features and form no part of the claimed design.

**1 Claim, 7 Drawing Sheets**



(56)

**References Cited**

U.S. PATENT DOCUMENTS

5,918,550 A \* 7/1999 Weir ..... A47B 5/06  
108/152  
6,474,244 B1 \* 11/2002 Karpinski ..... E04H 4/14  
108/42  
D484,701 S \* 1/2004 Fabregas ..... D3/315  
6,842,922 B2 \* 1/2005 Smeed ..... A61G 1/04  
108/49  
D508,774 S \* 8/2005 McAndrew ..... D3/313  
D510,481 S \* 10/2005 Hodgson ..... D3/304  
D554,474 S \* 11/2007 Miller ..... D8/349  
D577,489 S \* 9/2008 Debowiecki ..... D3/315  
D617,990 S \* 6/2010 Liao ..... D3/313  
D693,125 S \* 11/2013 Bell ..... D3/304

\* cited by examiner

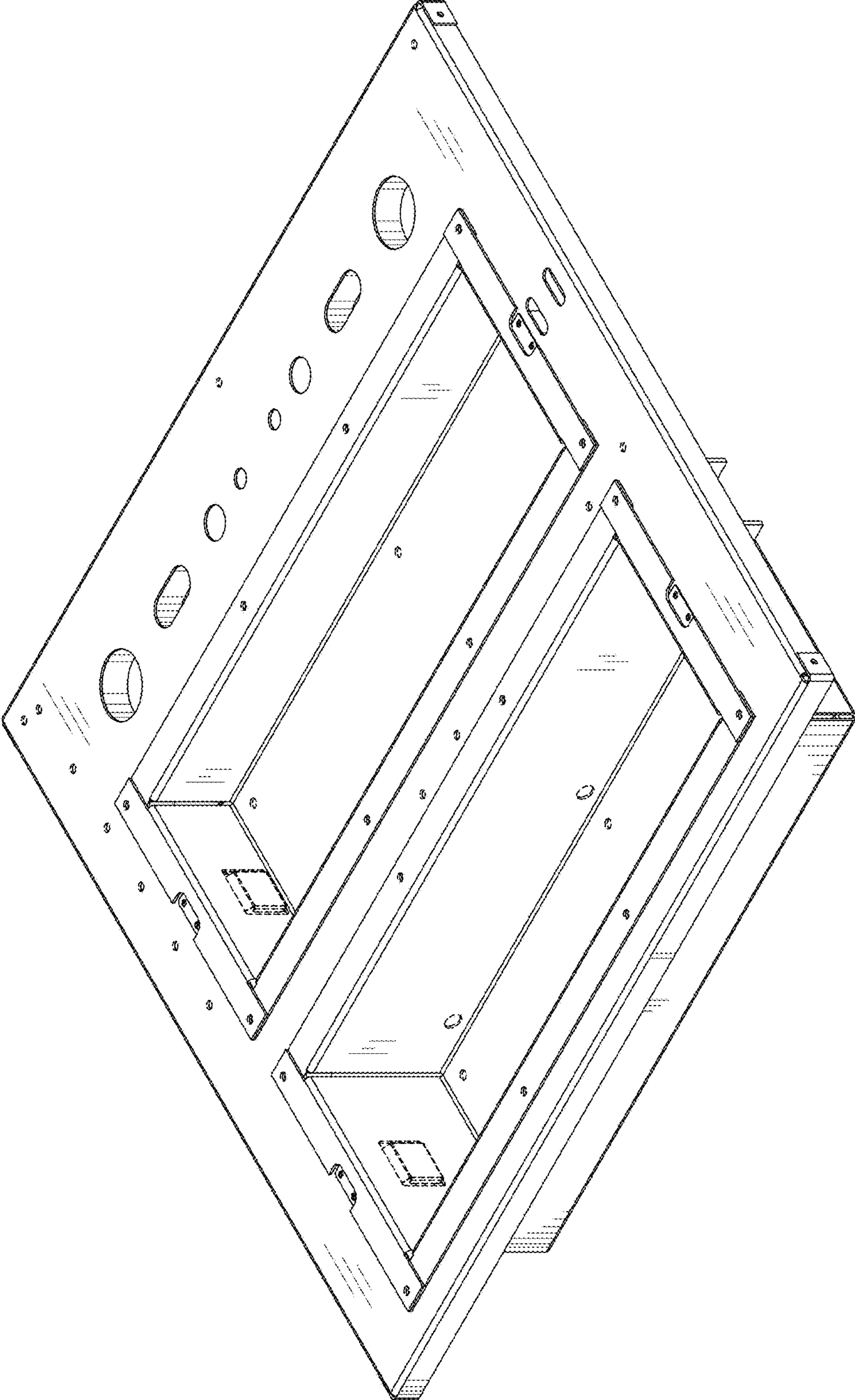


FIG. 1

FIG. 2

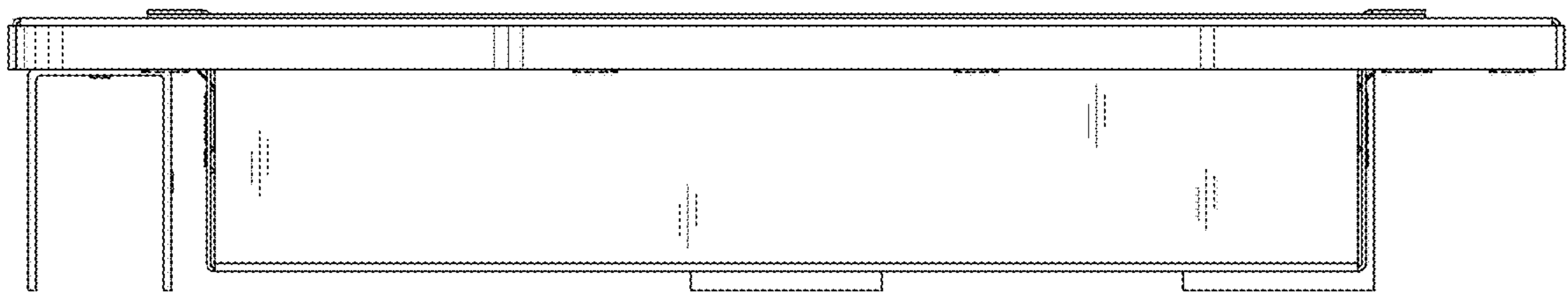


FIG. 3

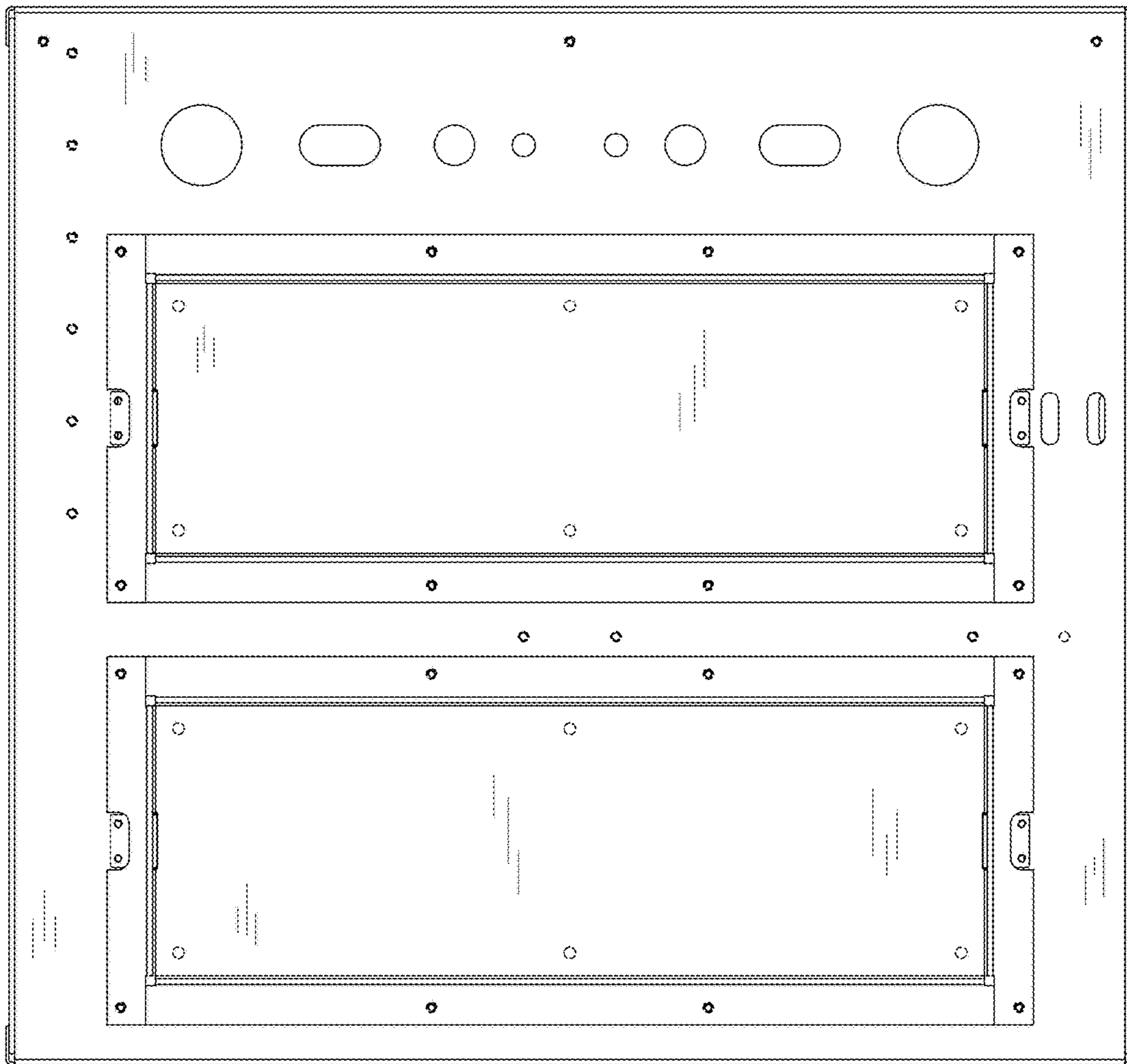


FIG. 4

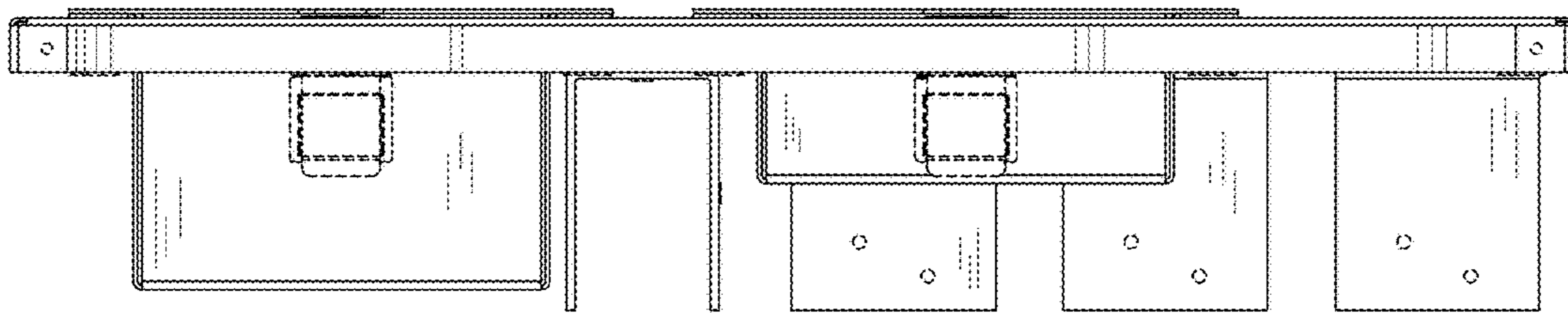


FIG. 5

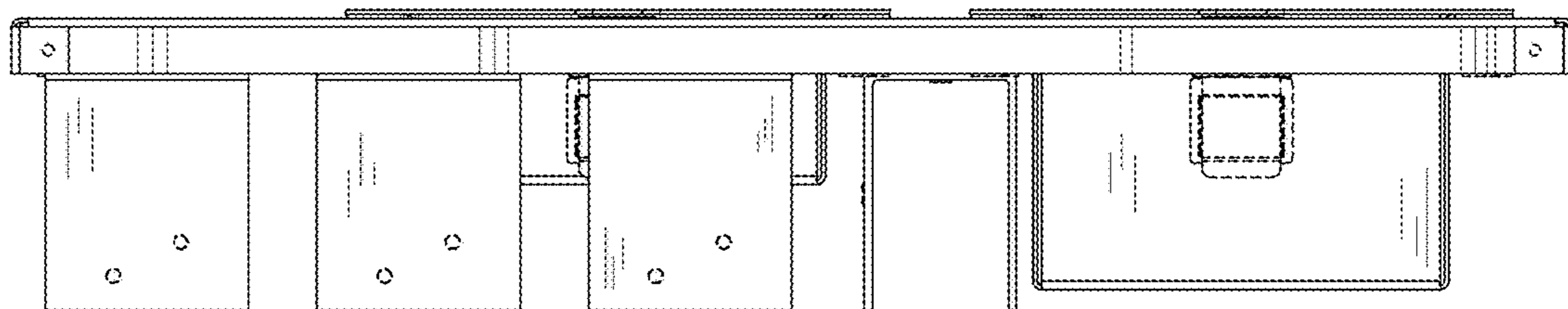


FIG. 6

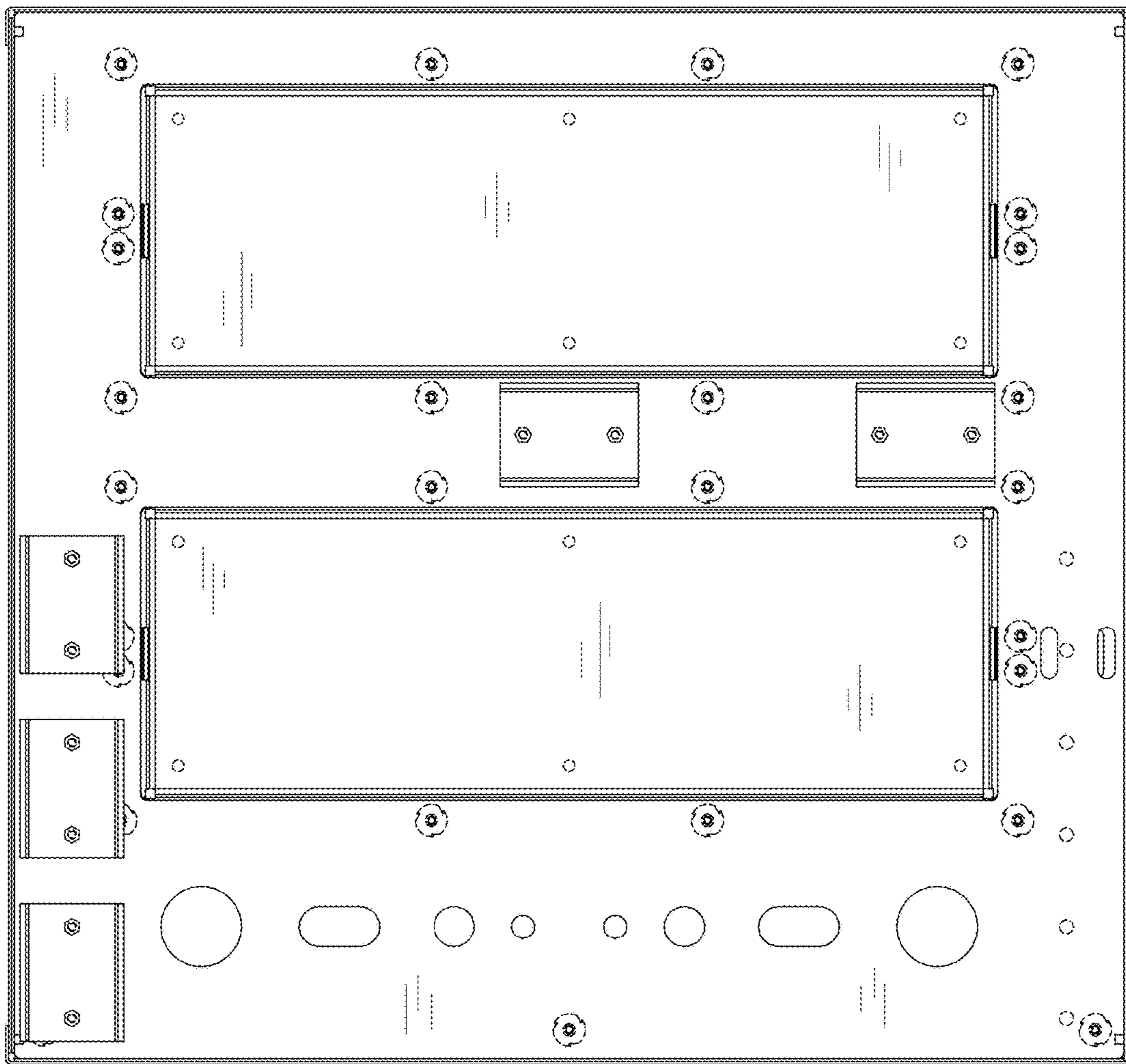




FIG. 7

