



US00D795603S

(12) **United States Design Patent** (10) **Patent No.:** **US D795,603 S**
Bemis (45) **Date of Patent:** **** Aug. 29, 2017**

(54) **BLEACHER COVER**

- (71) Applicant: **David G. Bemis**, Corona, CA (US)
- (72) Inventor: **David G. Bemis**, Corona, CA (US)
- (**) Term: **15 Years**
- (21) Appl. No.: **29/561,552**
- (22) Filed: **Apr. 18, 2016**

Related U.S. Application Data

- (63) Continuation-in-part of application No. 29/554,656, filed on Feb. 12, 2016.
- (51) **LOC (10) Cl.** **06-04**
- (52) **U.S. Cl.**
USPC **D6/368**
- (58) **Field of Classification Search**
USPC D6/334-336, 349, 351, 352, 358, 360, D6/364, 365, 366, 374, 375, 379, 380,
(Continued)

(56) **References Cited**

U.S. PATENT DOCUMENTS

- 5,080,431 A * 1/1992 Frazier B62J 1/20
297/184.11
- 5,103,347 A * 4/1992 Lumbra G02B 7/182
248/489

(Continued)

OTHER PUBLICATIONS

School Specialty Marketplace, Jaypro Bleacher—Configurable Item, Vinyl Covered Pad (online), Retrieved from the internet as early as Jun. 7, 2016 <URL:https://store.schoolspecialty.com/OA_HTML/ibeCCtpltmDspRte.jsp?minisite=10206&item=2530261&gclid=C1vk6NLrmM0CFYhffgodrIkEeg>.

(Continued)

Primary Examiner — Kevin Rudzinski
Assistant Examiner — Paul Bohannon
(74) *Attorney, Agent, or Firm* — Stetina Brunda Garred and Brucker

(57) **CLAIM**

The ornamental design for a bleacher cover, as shown and described.

DESCRIPTION

FIG. 1 is a perspective view of a first embodiment of a bench cushion mounted to a bench with both opposed sides of the bench being covered;

FIG. 2 is a front view of the bench cushion shown in FIG. 1 when laid flat;

FIG. 3 is a rear view of the bench cushion shown in FIG. 1 when laid flat;

FIG. 4 is a left side view of the bench cushion shown in FIG. 1 when laid flat;

FIG. 5 is a right side view of the bench cushion shown in FIG. 1 when laid flat;

FIG. 6 is a top view of the bench cushion shown in FIG. 1 when laid flat;

FIG. 7 is a bottom view of the bench cushion shown in FIG. 1 when laid flat;

FIG. 8 is a perspective view of a second embodiment of the bench cushion shown in FIG. 1 mounted to the bench with one side of the bench being covered;

FIG. 9 is a front view of the bench cushion shown in FIG. 8 when laid flat;

FIG. 10 is a rear view of the bench cushion shown in FIG. 8 when laid flat;

FIG. 11 is a left side view of the bench cushion shown in FIG. 8 when laid flat;

FIG. 12 is a right side view of the bench cushion shown in FIG. 8 when laid flat;

FIG. 13 is a top view of the bench cushion shown in FIG. 8 when laid flat;

FIG. 14 is a bottom view of the bench cushion shown in FIG. 8 when laid flat;

FIG. 15 is a perspective view of a third embodiment of the bench cushion shown in FIG. 1 mounted to the bench with no covering on the opposed sides;

FIG. 16 is a front view of the bench cushion shown in FIG. 15 when laid flat;

FIG. 17 is a rear view of the bench cushion shown in FIG. 15 when laid flat;

(Continued)

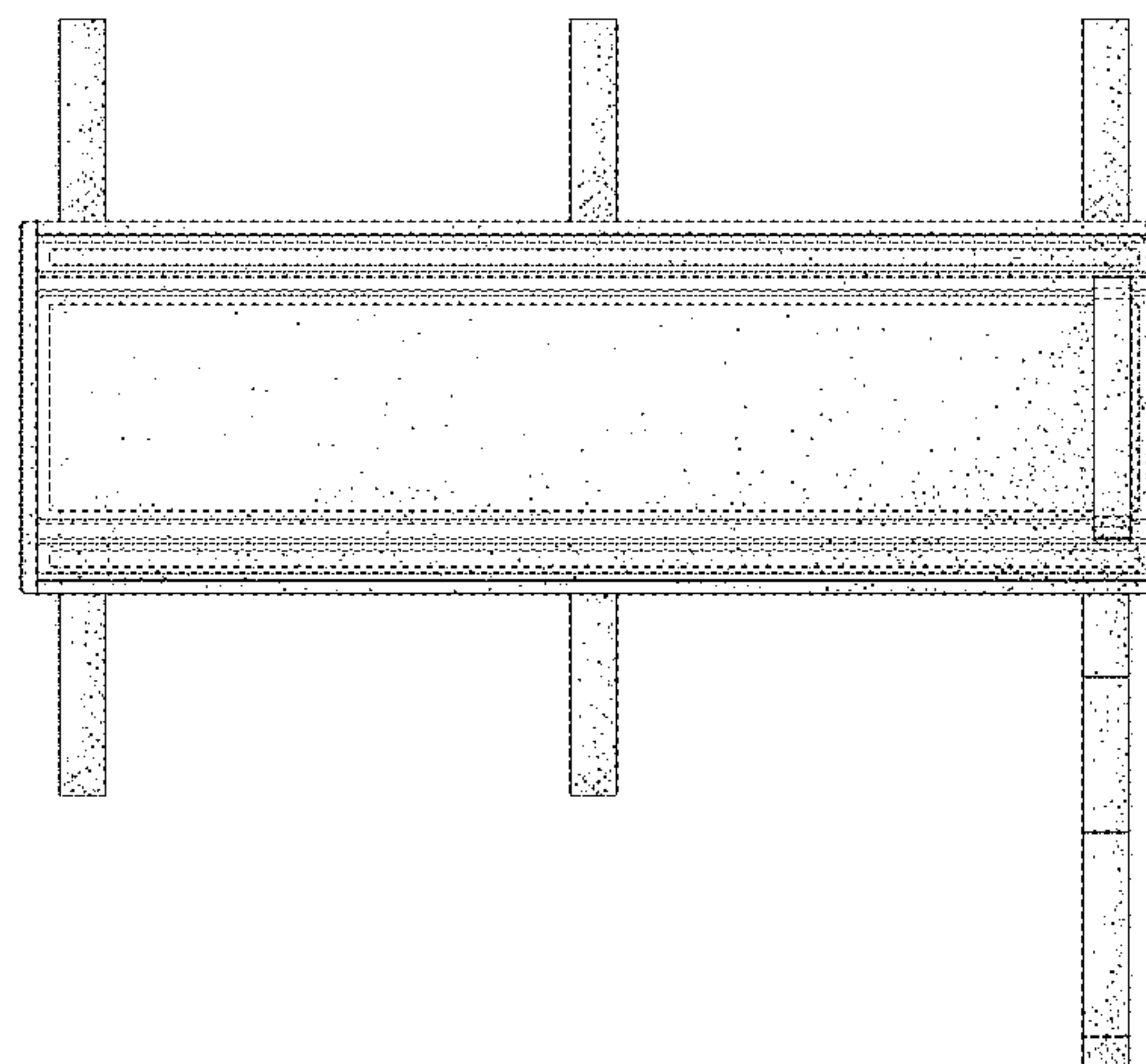
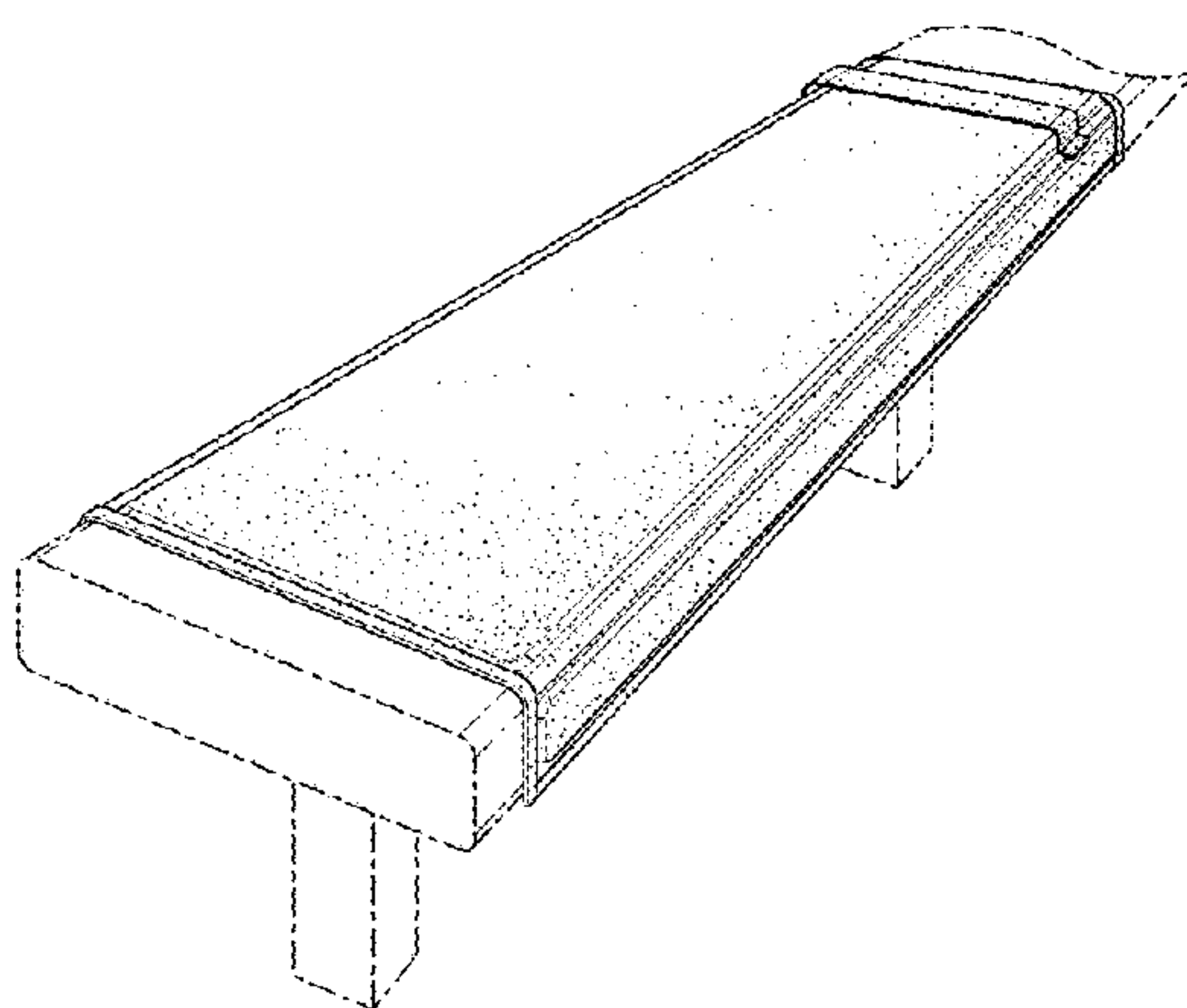


FIG. 18 is a left side view of the bench cushion shown in FIG. 15 when laid flat;
 FIG. 19 is a right side view of the bench cushion shown in FIG. 15 when laid flat;
 FIG. 20 is a top view of the bench cushion shown in FIG. 15 when laid flat;
 FIG. 21 is a bottom view of the bench cushion shown in FIG. 15 when laid flat;
 FIG. 22 is a perspective view of a fourth embodiment of the bench cushion mounted to the bench with both opposed sides of the bench being covered;
 FIG. 23 is a front view of the bench cushion shown in FIG. 22 when laid flat;
 FIG. 24 is a rear view of the bench cushion shown in FIG. 22 when laid flat;
 FIG. 25 is a left side view of the bench cushion shown in FIG. 22 when laid flat;
 FIG. 26 is a right side view of the bench cushion shown in FIG. 22 when laid flat;
 FIG. 27 is a top view of the bench cushion shown in FIG. 22 when laid flat;
 FIG. 28 is a bottom view of the bench cushion shown in FIG. 22 when laid flat;
 FIG. 29 is a perspective view of a fifth embodiment of the bench cushion shown in FIG. 22 mounted to the bench with one side of the bench being covered;
 FIG. 30 is a front view of the bench cushion shown in FIG. 29 when laid flat;
 FIG. 31 is a rear view of the bench cushion shown in FIG. 29 when laid flat;
 FIG. 32 is a left side view of the bench cushion shown in FIG. 29 when laid flat;
 FIG. 33 is a right side view of the bench cushion shown in FIG. 29 when laid flat;
 FIG. 34 is a top view of the bench cushion shown in FIG. 29 when laid flat;
 FIG. 35 is a bottom view of the bench cushion shown in FIG. 29 when laid flat;
 FIG. 36 is a perspective view of a sixth embodiment of the bench cushion shown in FIG. 22 mounted to the bench with no covering on the opposed sides;
 FIG. 37 is a front view of the bench cushion shown in FIG. 36 when laid flat;
 FIG. 38 is a rear view of the bench cushion shown in FIG. 36 when laid flat;
 FIG. 39 is a left side view of the bench cushion shown in FIG. 36 when laid flat;
 FIG. 40 is a right side view of the bench cushion shown in FIG. 36 when laid flat;
 FIG. 41 is a top view of the bench cushion shown in FIG. 36 when laid flat; and,
 FIG. 42 is a bottom view of the bench cushion shown in FIG. 36 when laid flat.
 The broken line showing a bench is for the purpose of illustrating the environmental structure and forms no part of the claimed design.

1 Claim, 42 Drawing Sheets

(58) **Field of Classification Search**

USPC .. D6/611, 657, 662.1, 672, 674, 675, 675.1,

D6/675.3, 683, 683.1, 685, 691, 691.5, D6/702, 708, 708.2, 708.21, 708.25, 716, D6/716.1-716.4, 604; D3/304, 307, 309
 CPC A47C 1/143; A47C 31/00; A47C 31/11; A47C 31/08; A47C 31/10; A47C 31/105; A47C 31/113; A47C 31/116; A47C 4/28; A47C 4/283; A47C 4/286; A47C 4/30; A47C 4/32; A47C 4/34; A47C 4/36; A47C 4/38; A47C 4/40; A47C 4/42; A47C 4/44; A47C 4/46; A47C 4/48; A47C 4/50; A47C 4/54; A47C 5/00; A47C 5/005; A47C 5/02; A47C 7/02; A47C 7/36; A47C 7/50; A47C 7/54; A47C 7/62; A47C 7/66; A47C 17/00; A47C 17/045; A47C 17/22; A47C 17/86; A47C 19/205; A47C 21/00; A47C 21/022; A47C 21/026; A47C 21/028; A47C 21/042; A47C 27/001; A47C 27/002; A47C 27/003; A47C 27/005; A47C 27/006; A47C 27/007; A47C 27/008; A47C 27/05; A47C 27/053; A47C 27/056; A47C 27/067; B60N 2/60; B60N 2/2881; B60N 2/6018; B60N 2/6036; B60N 2/6009

See application file for complete search history.

(56)

References Cited

U.S. PATENT DOCUMENTS

5,111,025 A * 5/1992 Barma A47C 7/748
 219/217
 5,927,575 A * 7/1999 Gatling A01M 31/02
 224/153
 5,957,528 A * 9/1999 Campbell B60N 2/6036
 297/218.4
 5,979,722 A * 11/1999 Gonzales B62J 21/00
 2/46
 6,243,873 B1 * 6/2001 Aliff A41D 3/08
 2/84
 6,254,182 B1 * 7/2001 Townsend A47C 31/116
 297/219.1
 6,286,885 B1 * 9/2001 Ramos B62D 33/0273
 296/136.07
 6,312,051 B1 * 11/2001 Adams A47C 31/113
 297/228.11
 6,352,306 B1 * 3/2002 Dreiling A47C 1/16
 297/252
 8,123,271 B1 * 2/2012 Wimberley B60N 2/3095
 296/57.1
 8,147,000 B1 * 4/2012 Drake A47C 7/021
 297/219.1
 D774,804 S * 12/2016 Beauliere D6/604
 9,610,877 B2 * 4/2017 Umlauf B60N 2/6009

OTHER PUBLICATIONS

Tote Unlimited, DSI—Bleacher Cover (online), Retrieved from the internet as early as Jun. 6, 2016 <URL:http://www.toteunlimited.com/store/product.php?productid=16366&cat=360&page=1>.

* cited by examiner

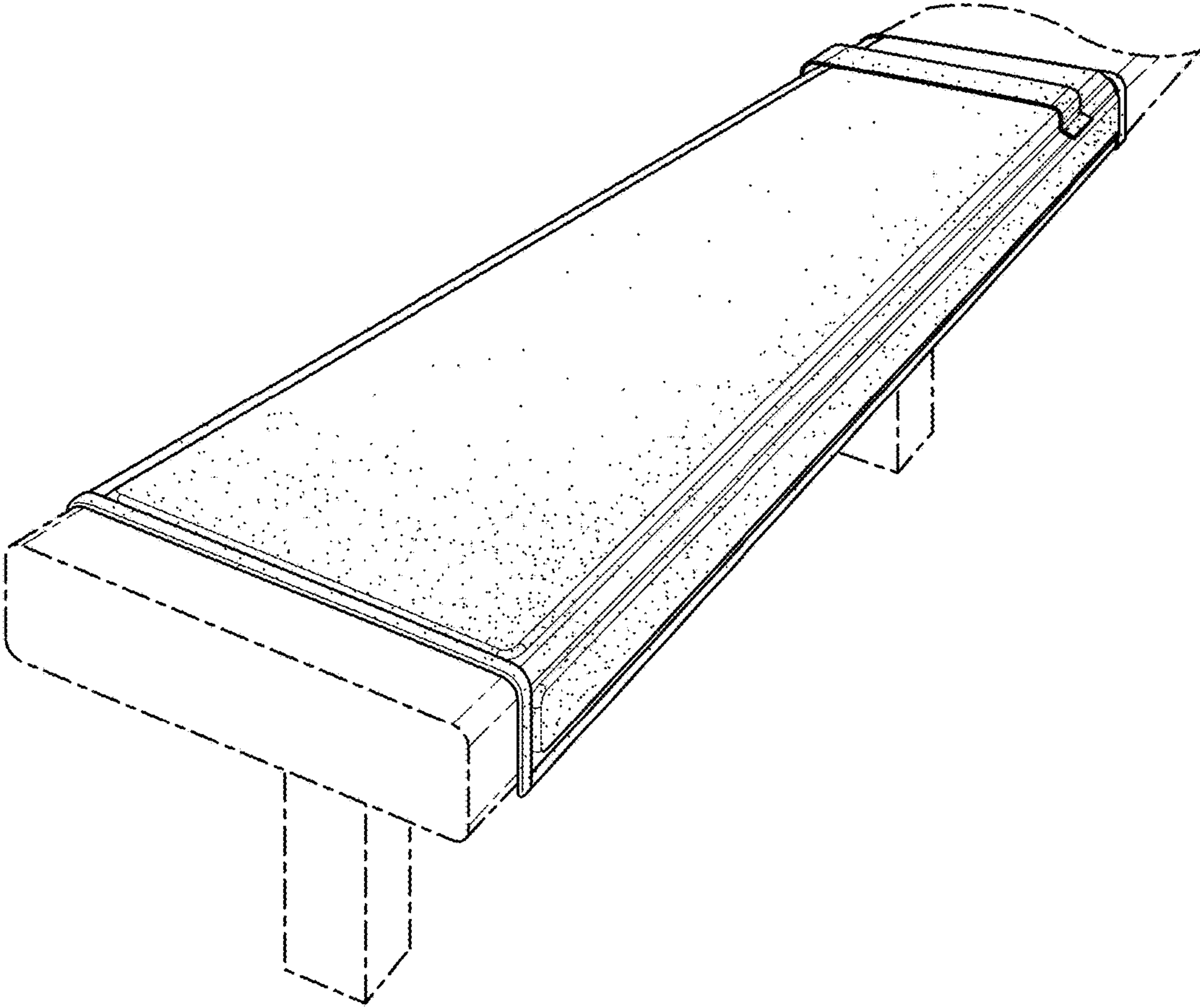


FIG. 1

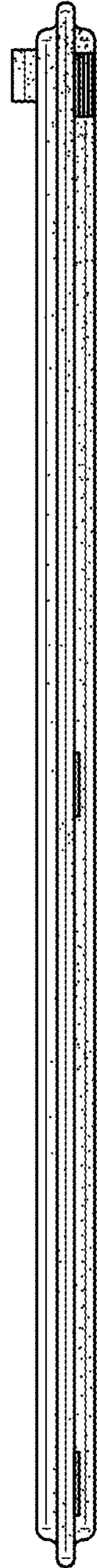


FIG. 2



FIG. 3

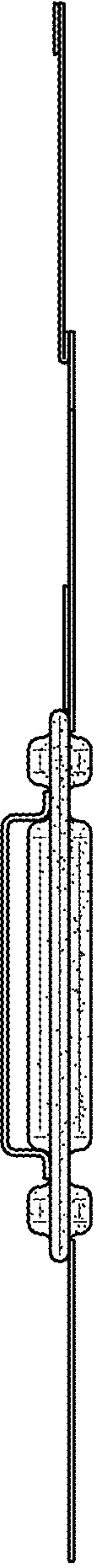


FIG. 4

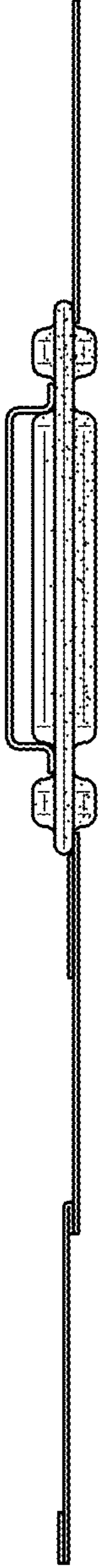


FIG. 5

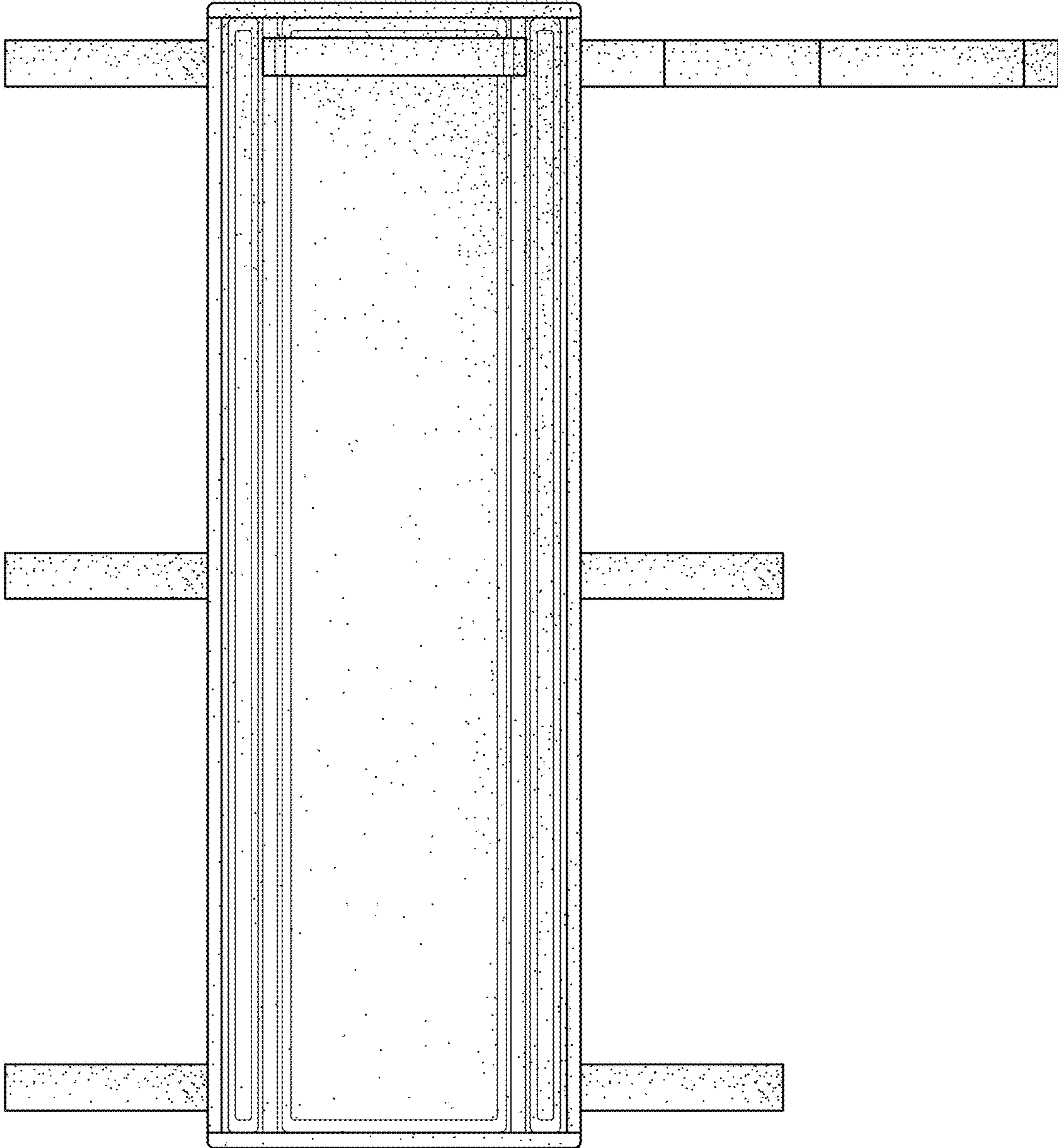


FIG. 6

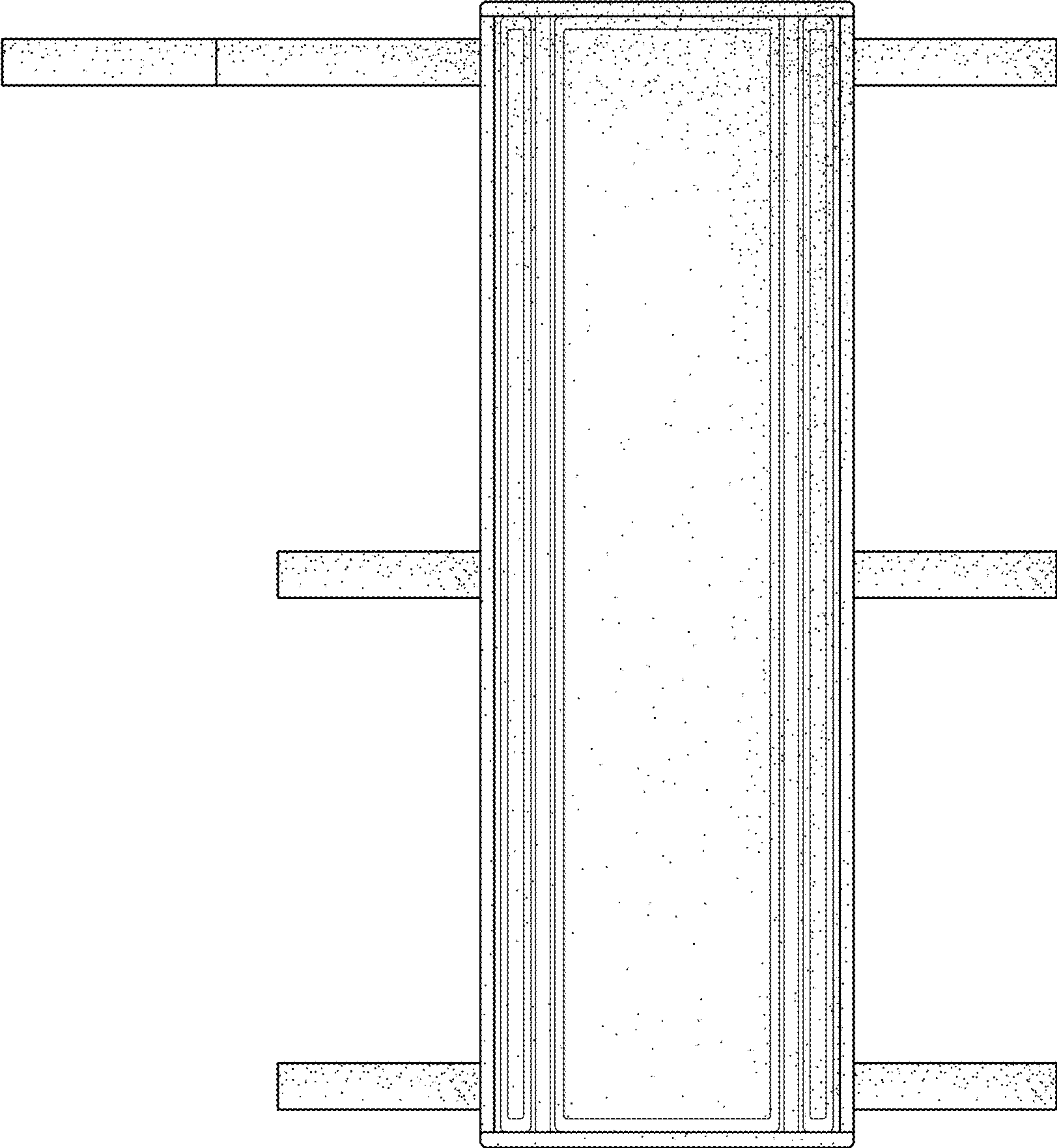


FIG. 7

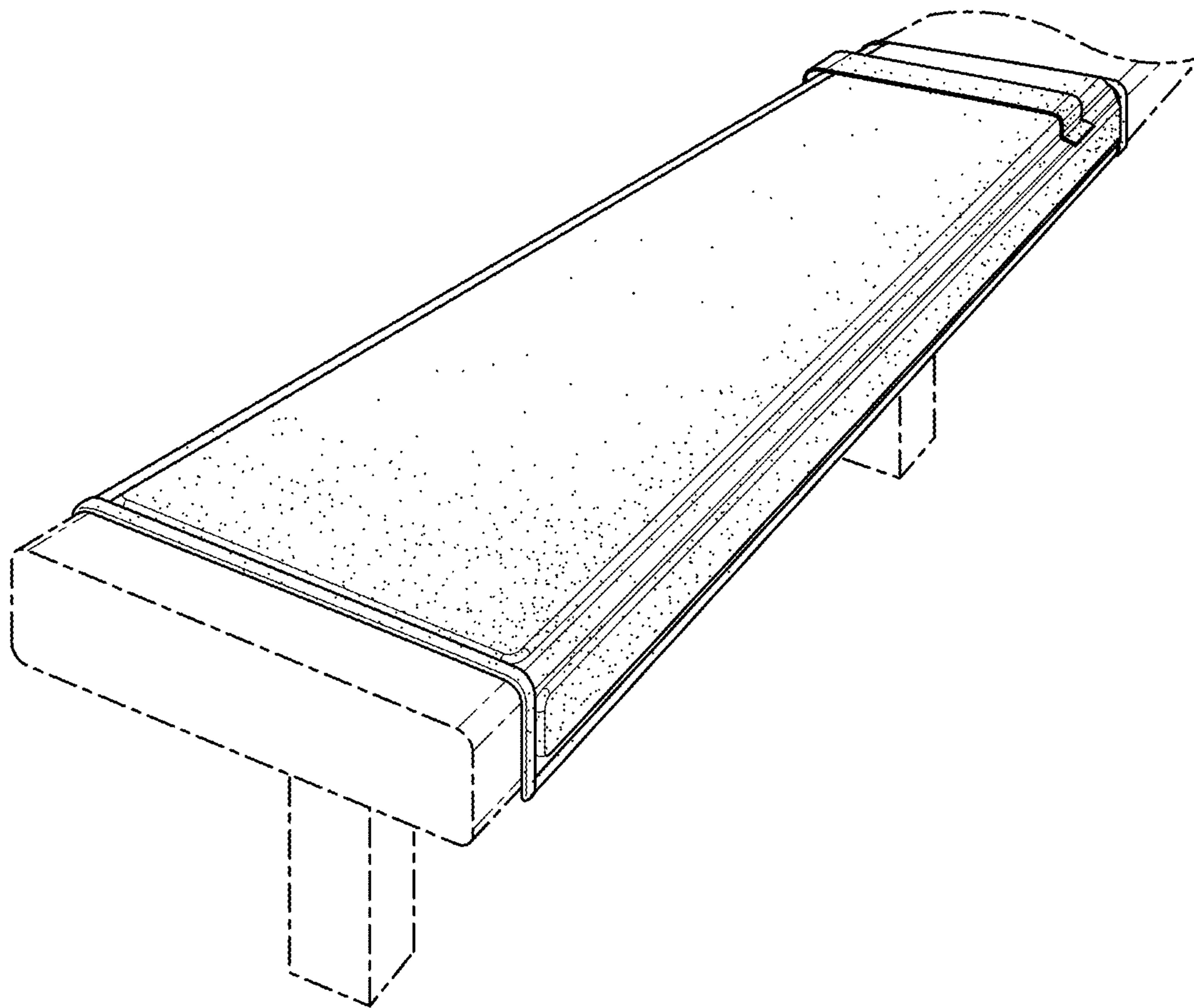


FIG. 8

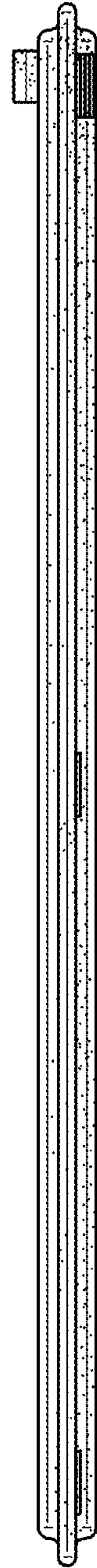


FIG. 9

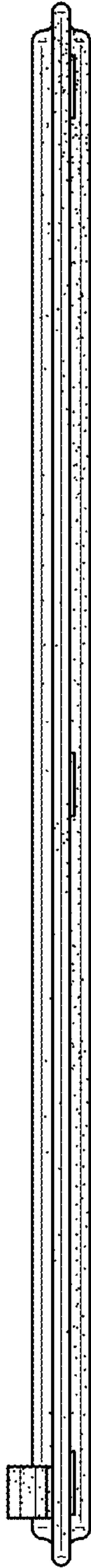


FIG. 10

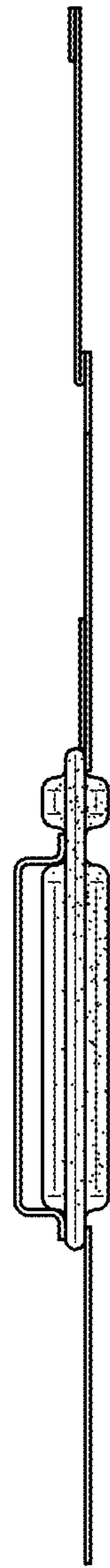


FIG. 11

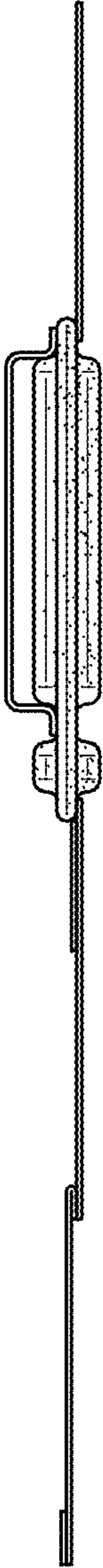


FIG. 12

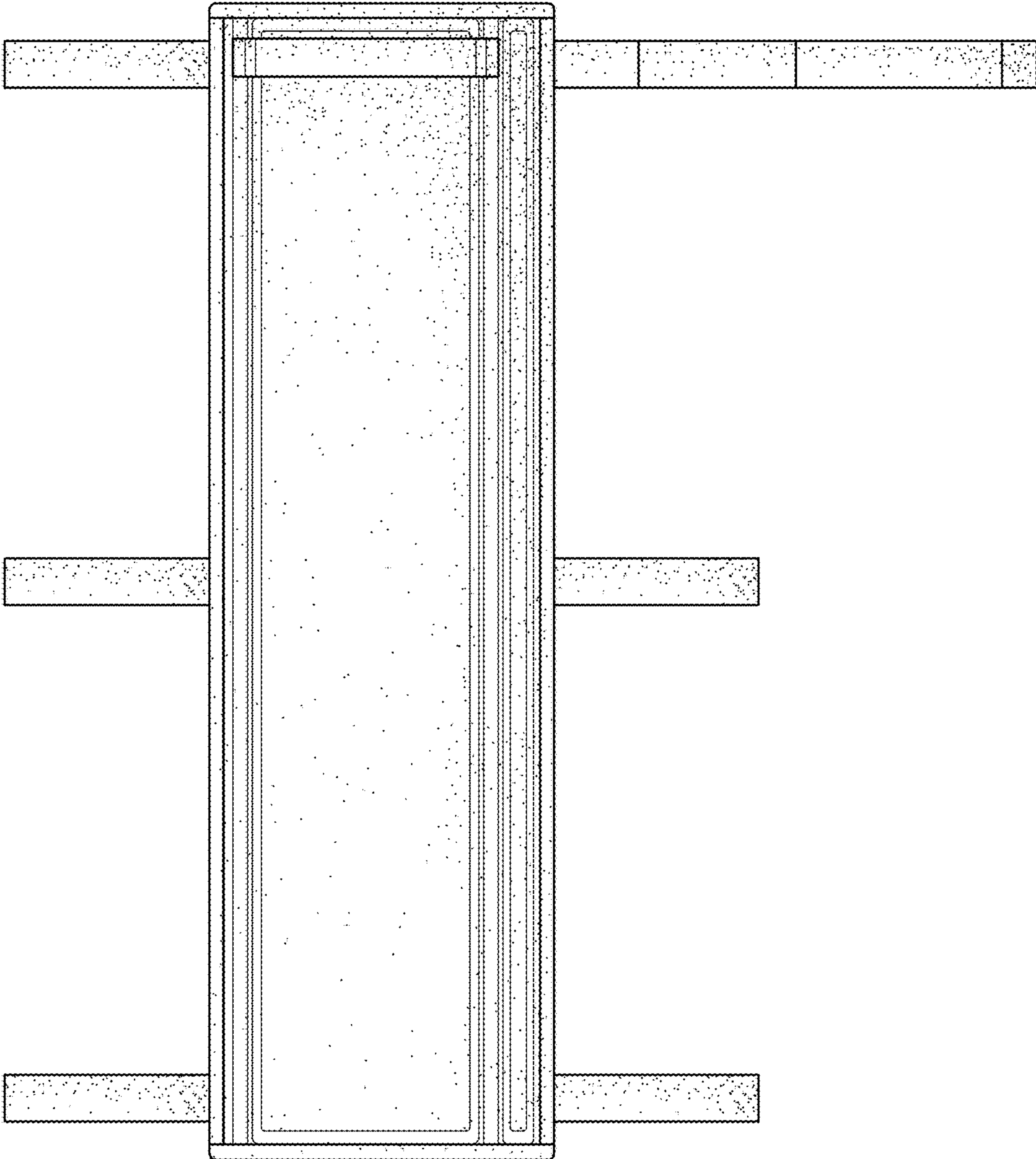


FIG. 13

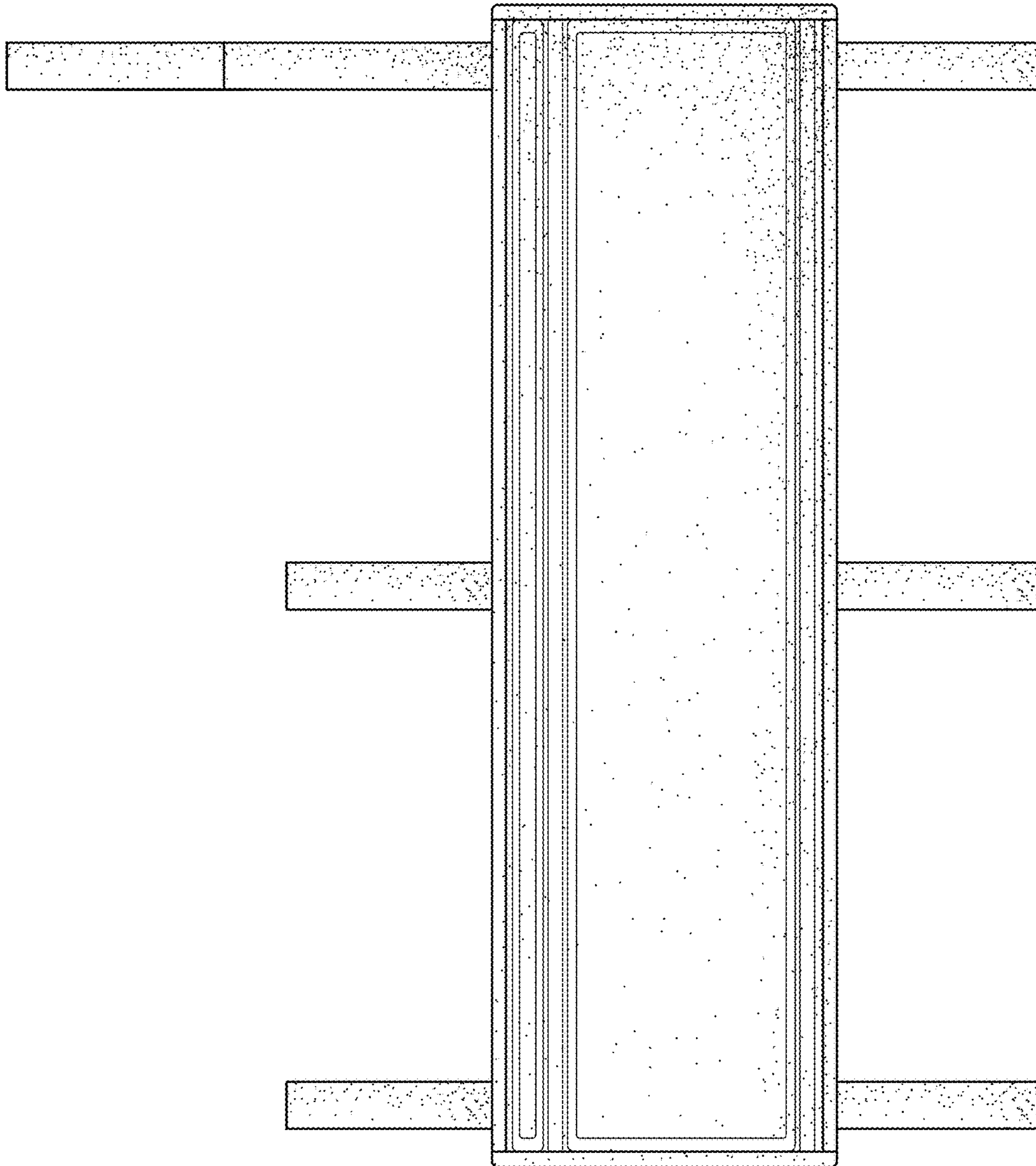


FIG. 14

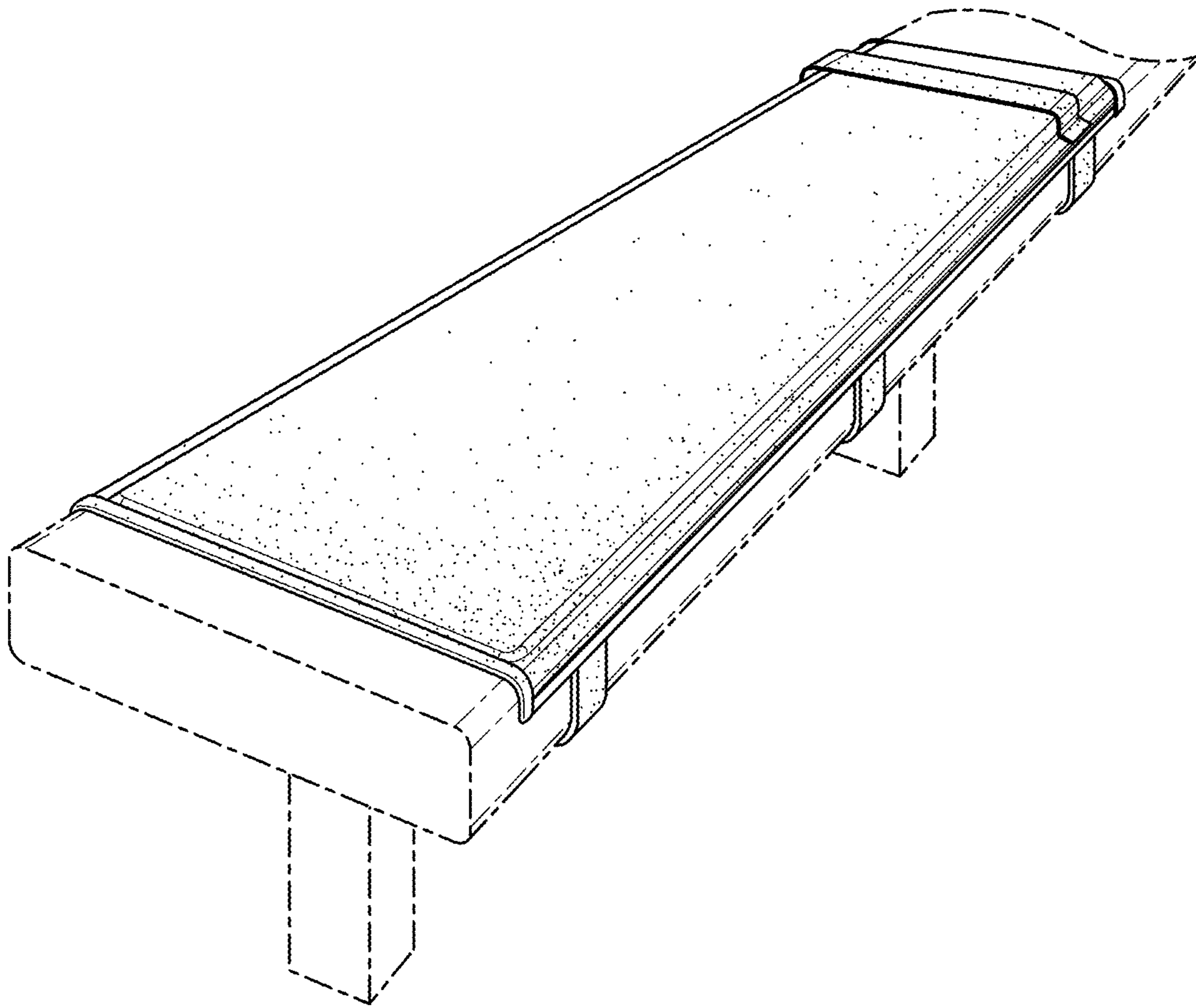


FIG. 15

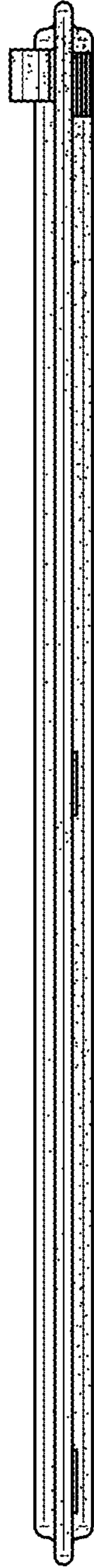


FIG. 16

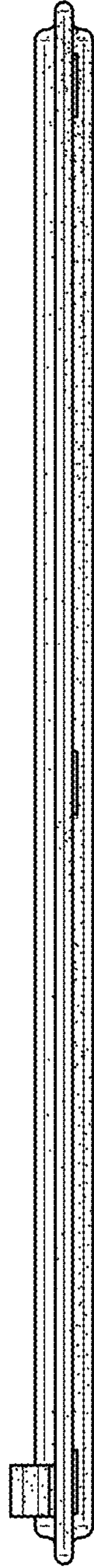


FIG. 17

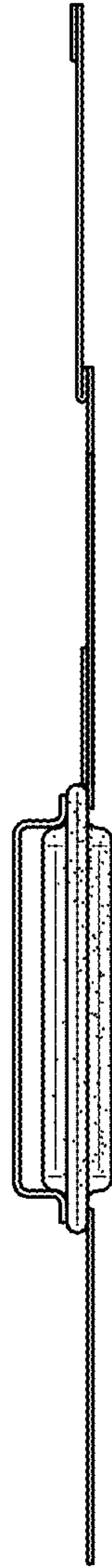


FIG. 18

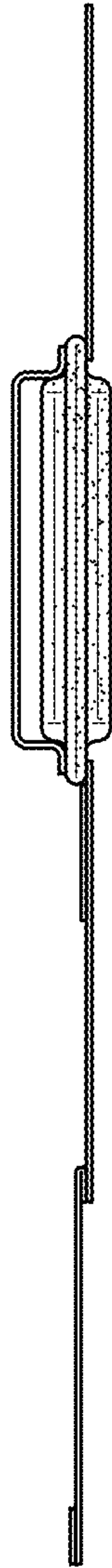


FIG. 19

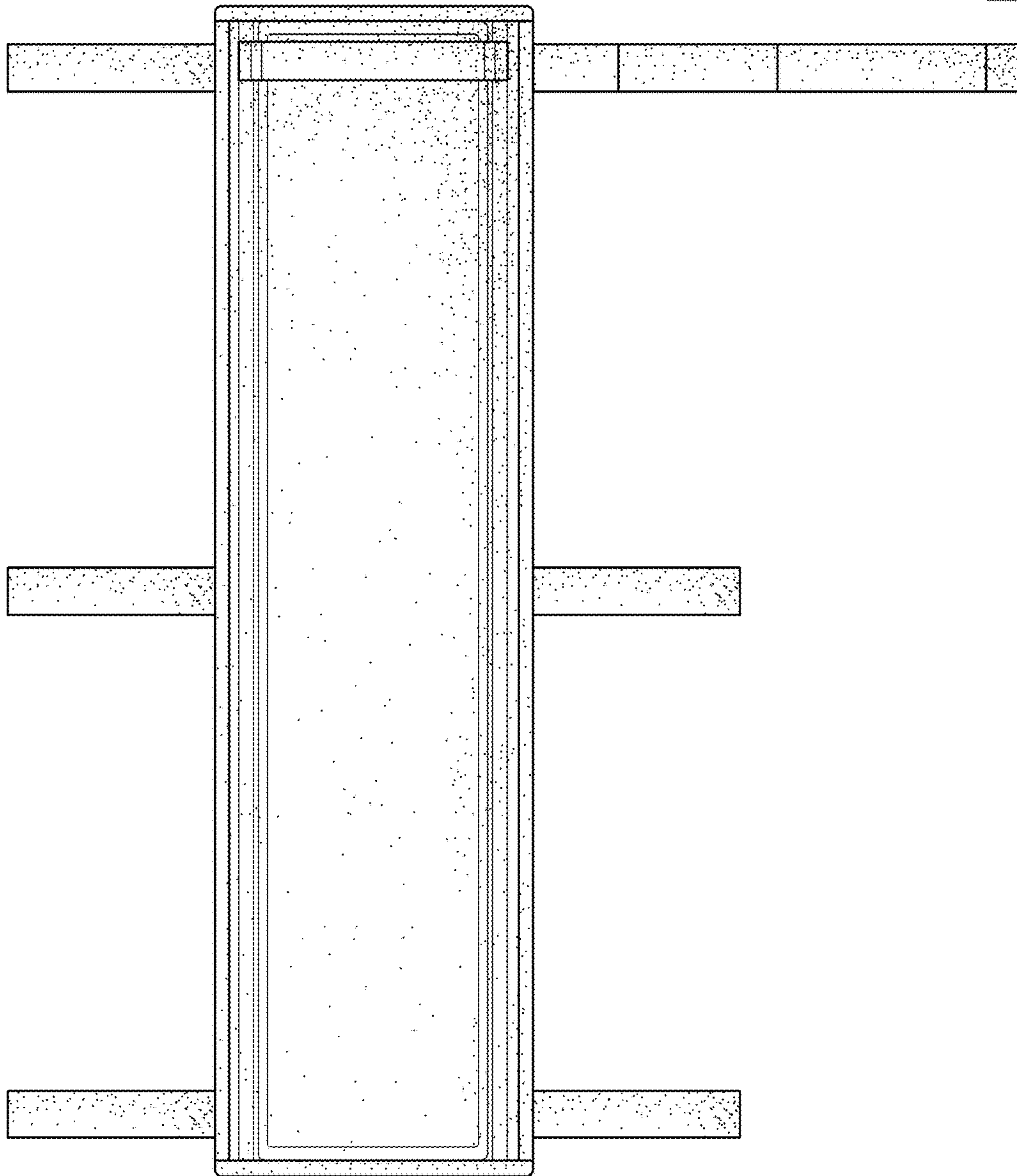


FIG. 20

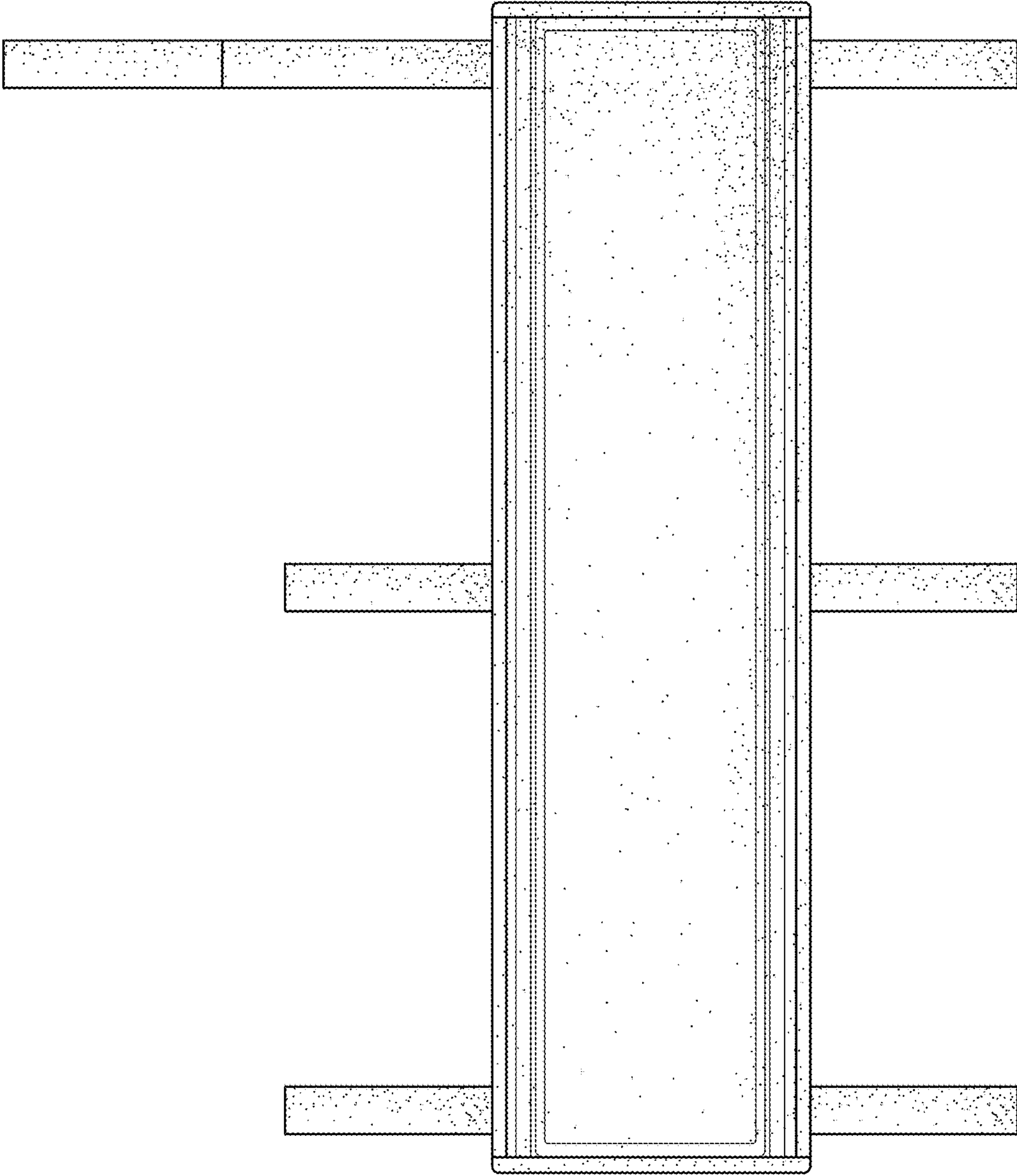


FIG. 21

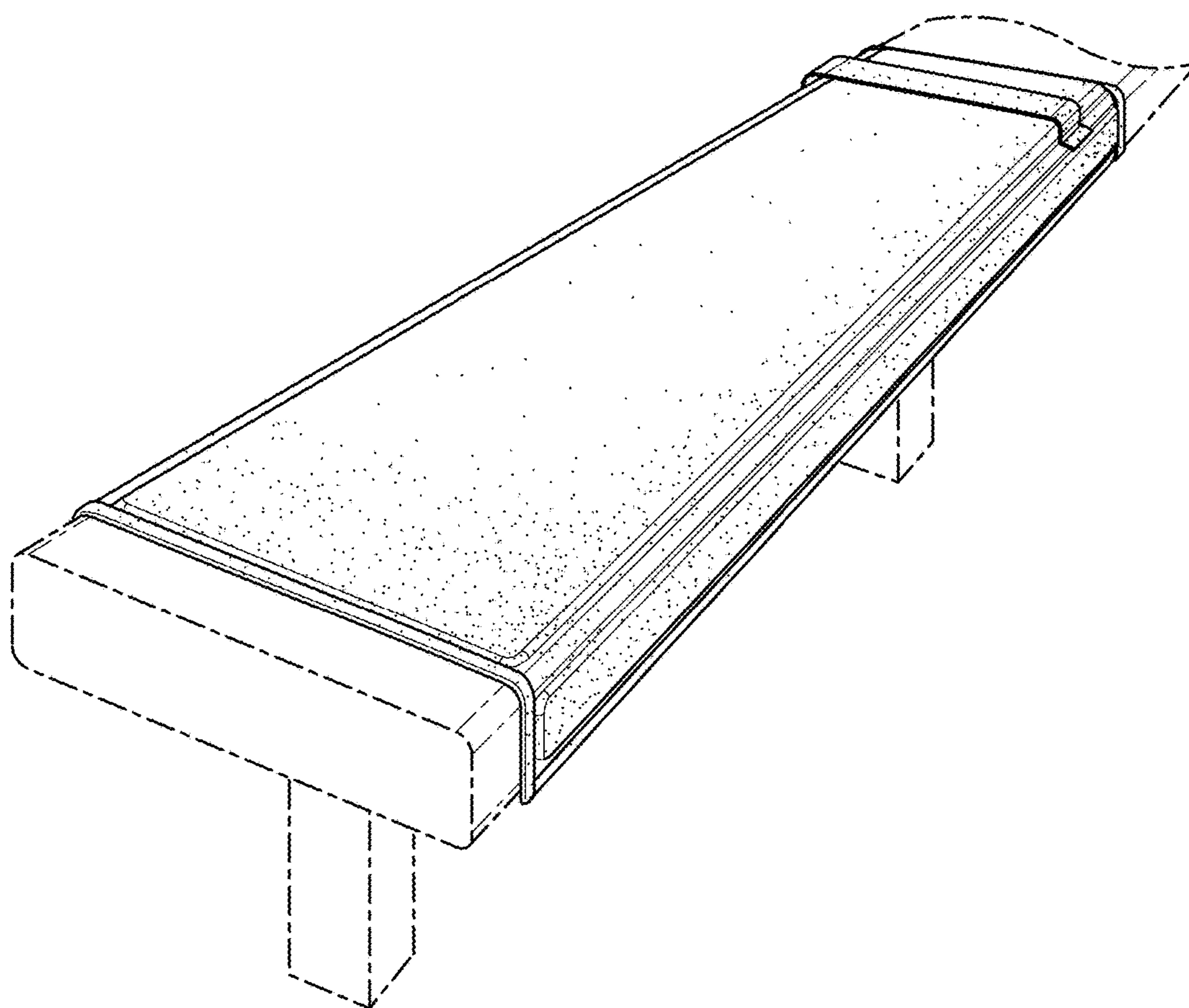


FIG. 22



FIG. 23



FIG. 24

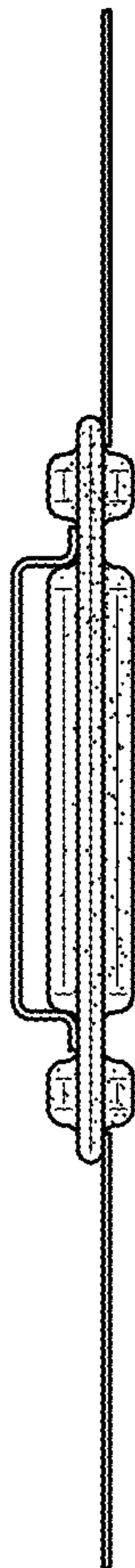


FIG. 25



FIG. 26

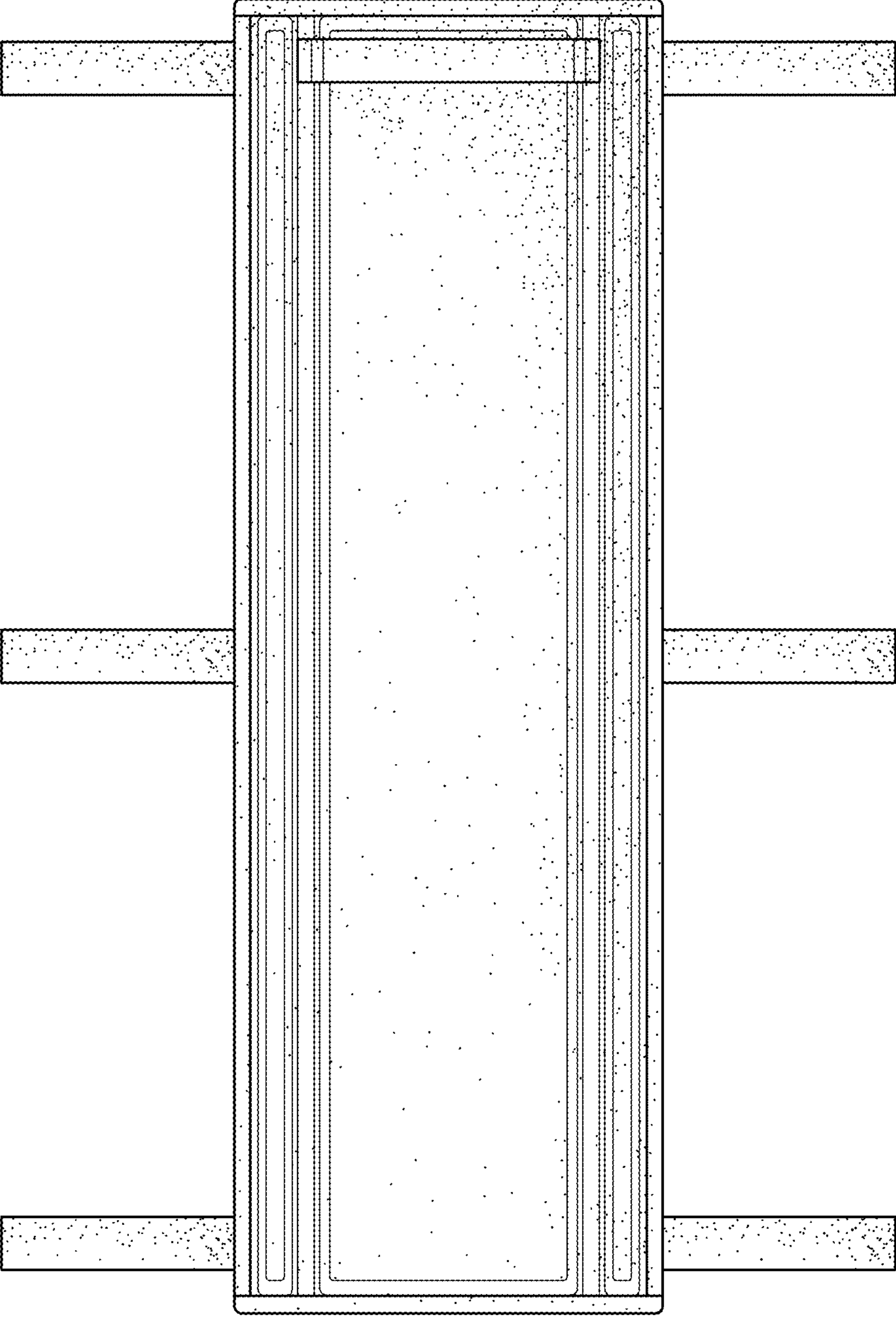


FIG. 27

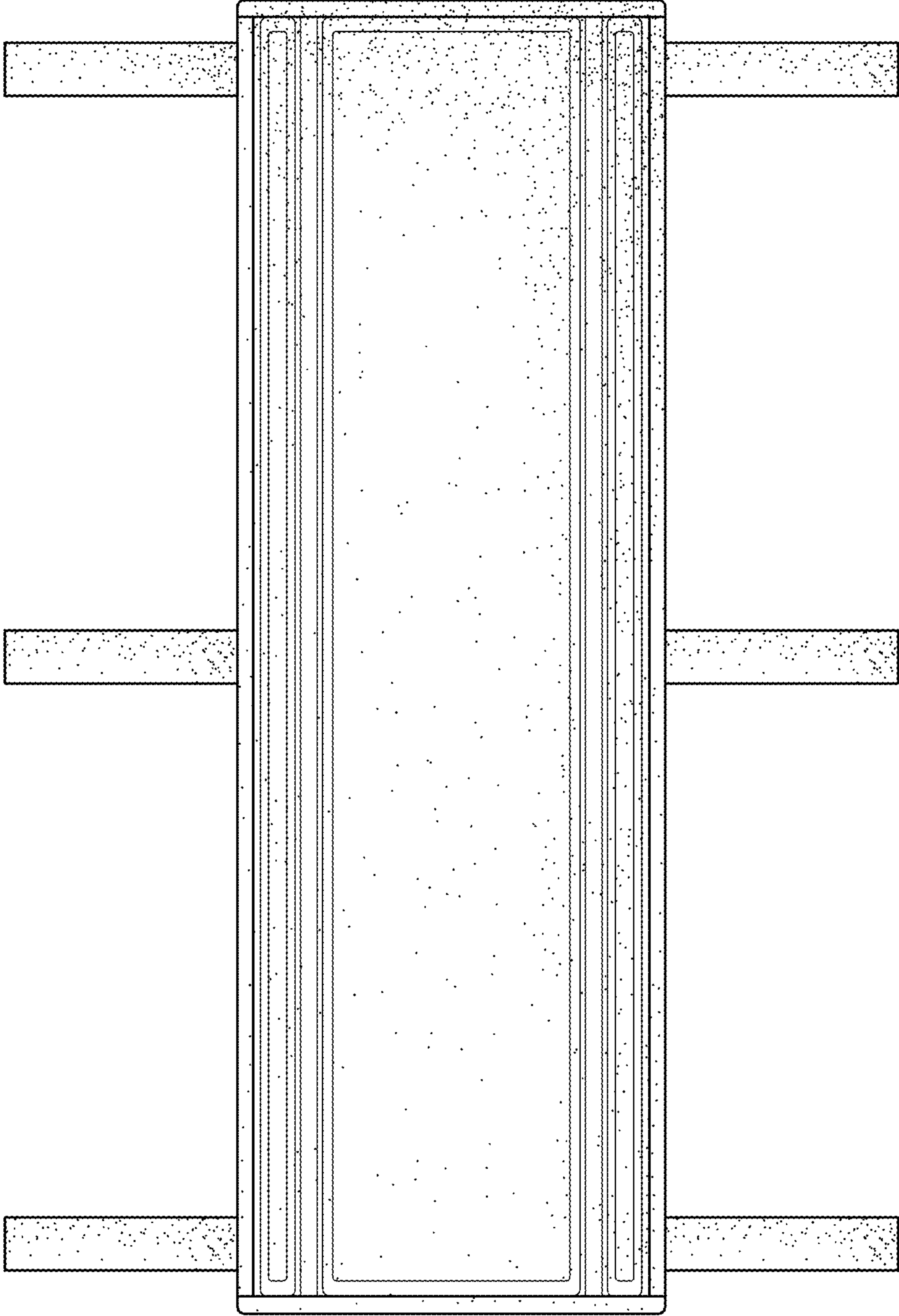


FIG. 28

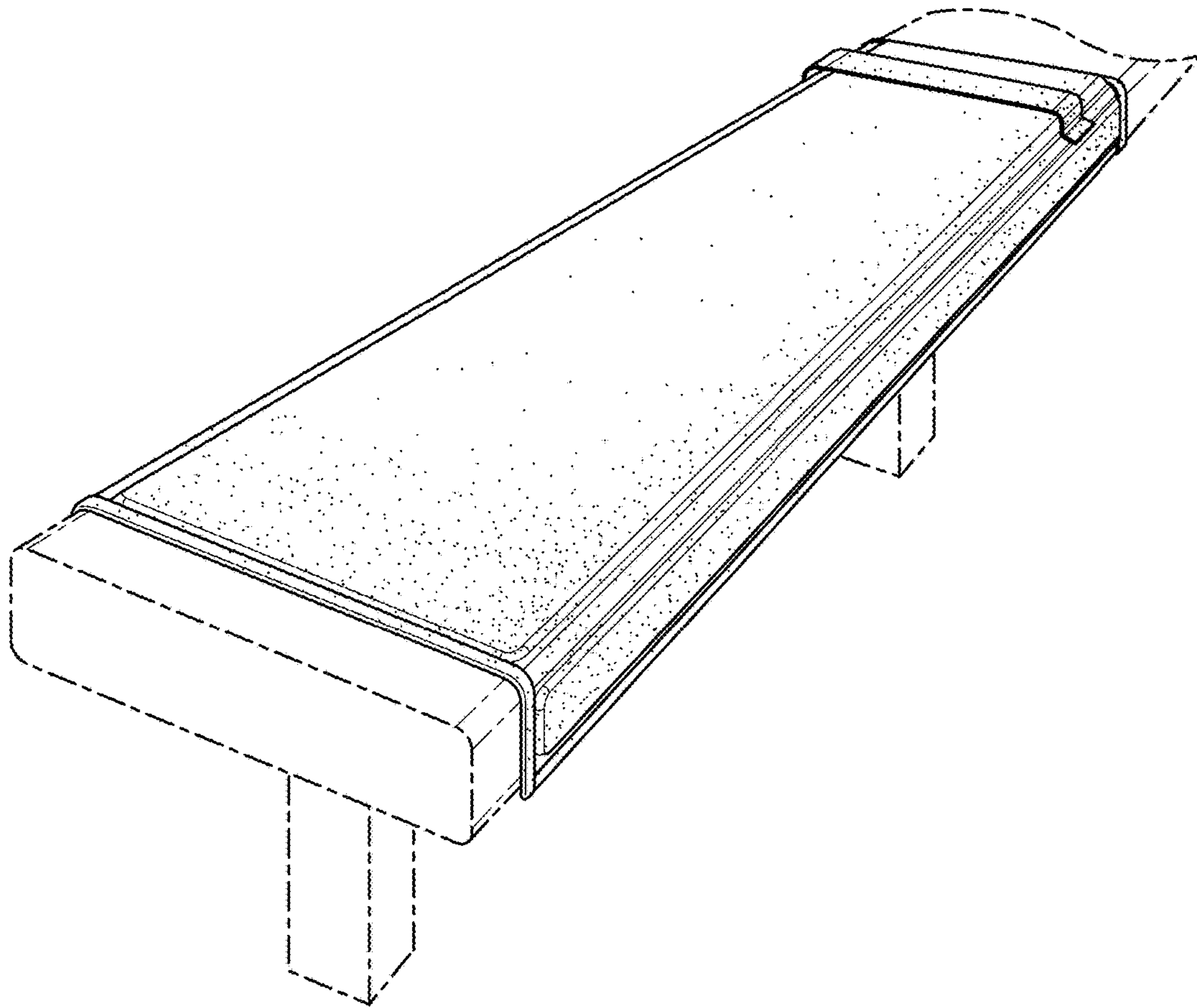


FIG. 29

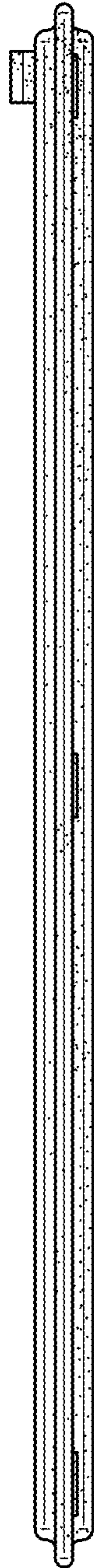


FIG. 30



FIG. 31

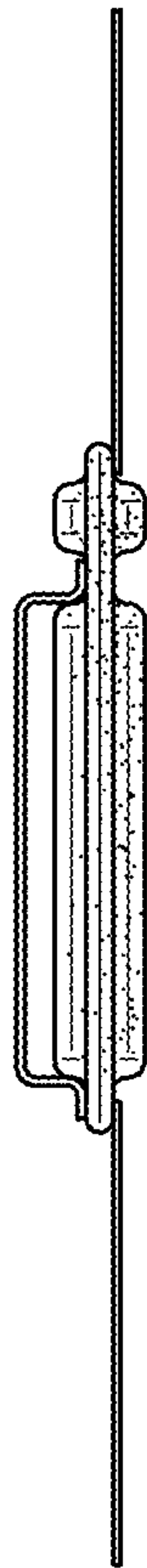


FIG. 32

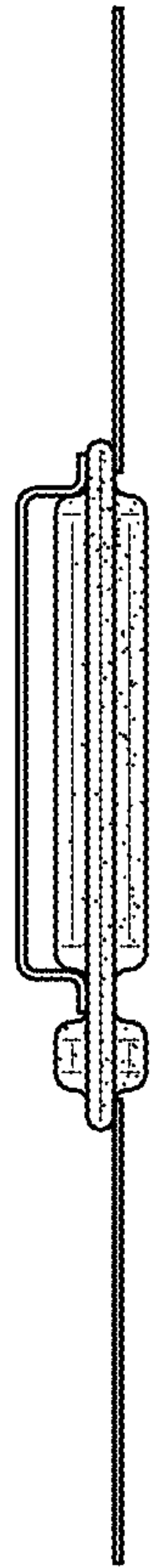


FIG. 33

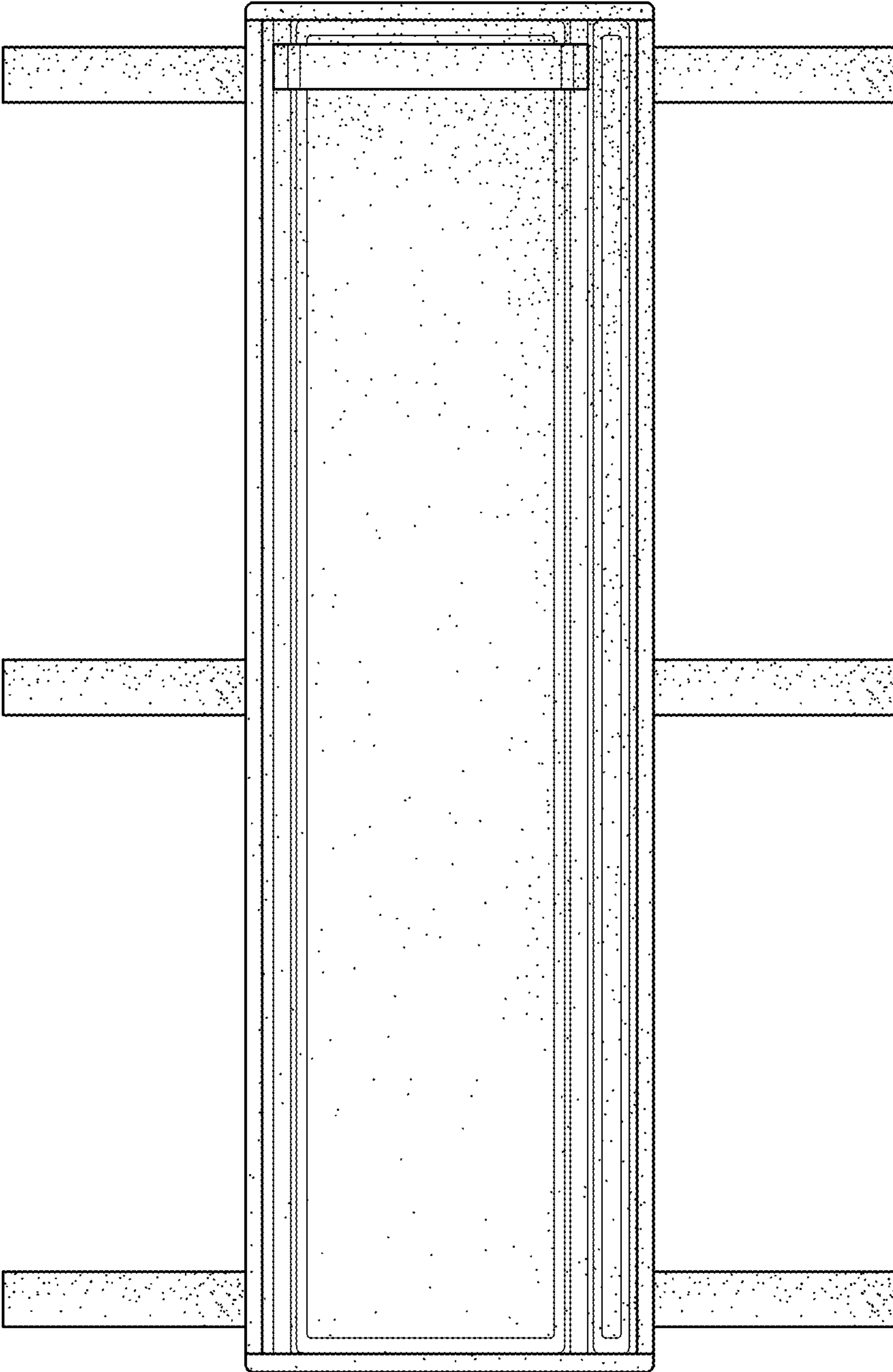


FIG. 34

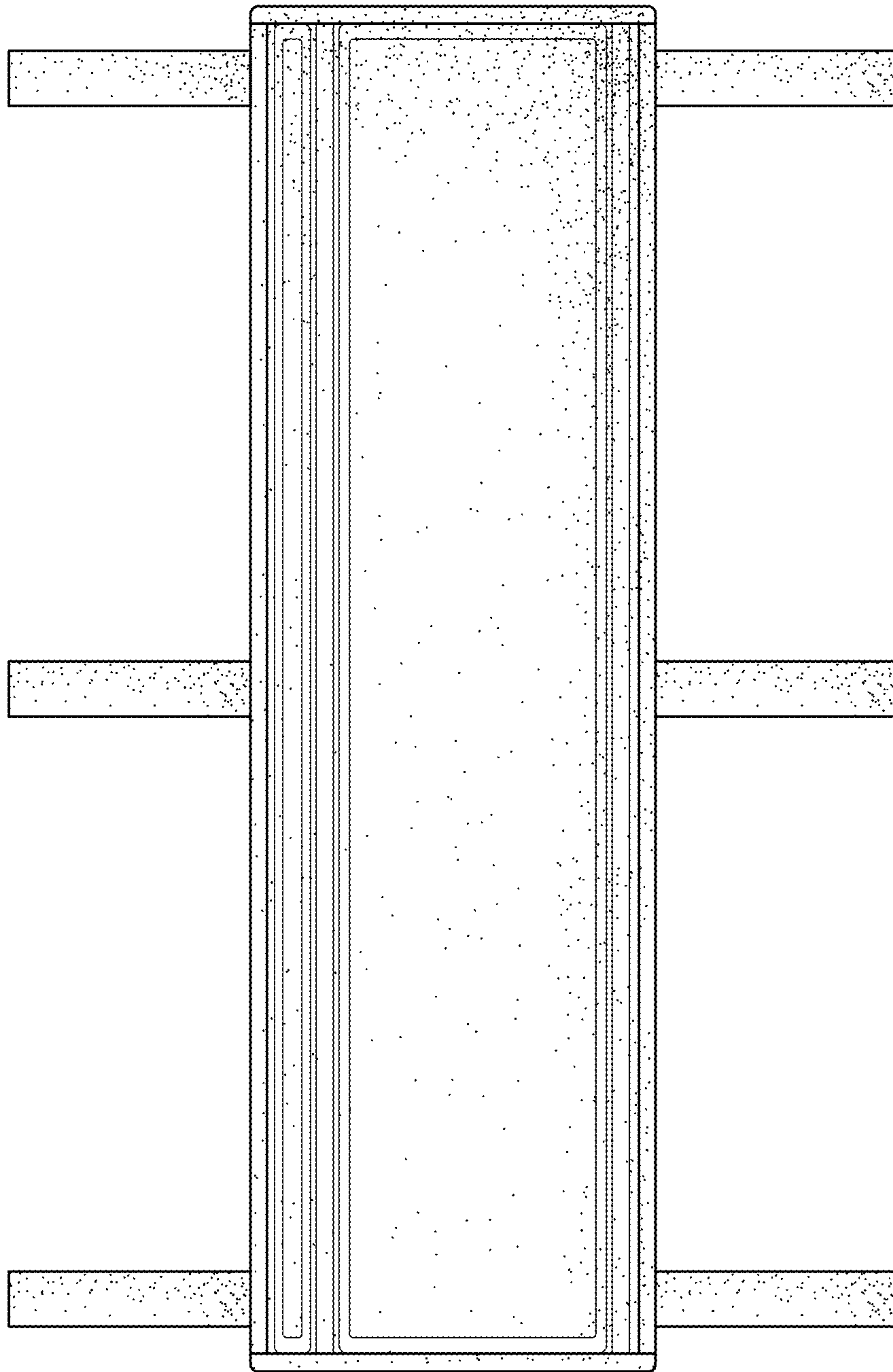


FIG. 35

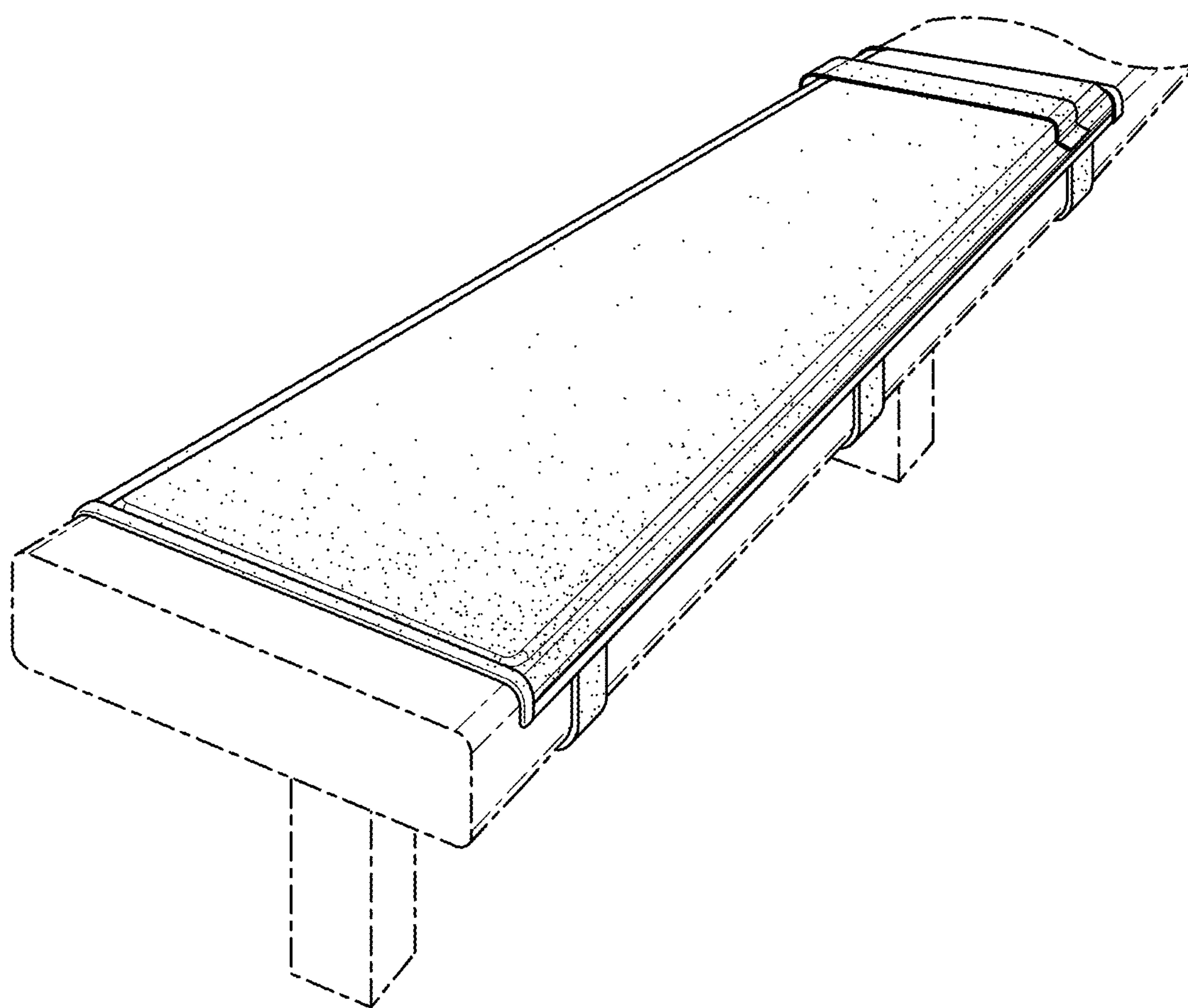


FIG. 36



FIG. 37

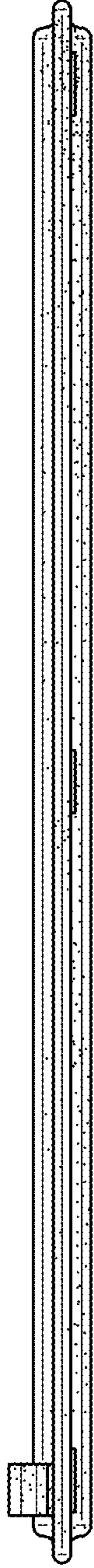


FIG. 38



FIG. 39



FIG. 40

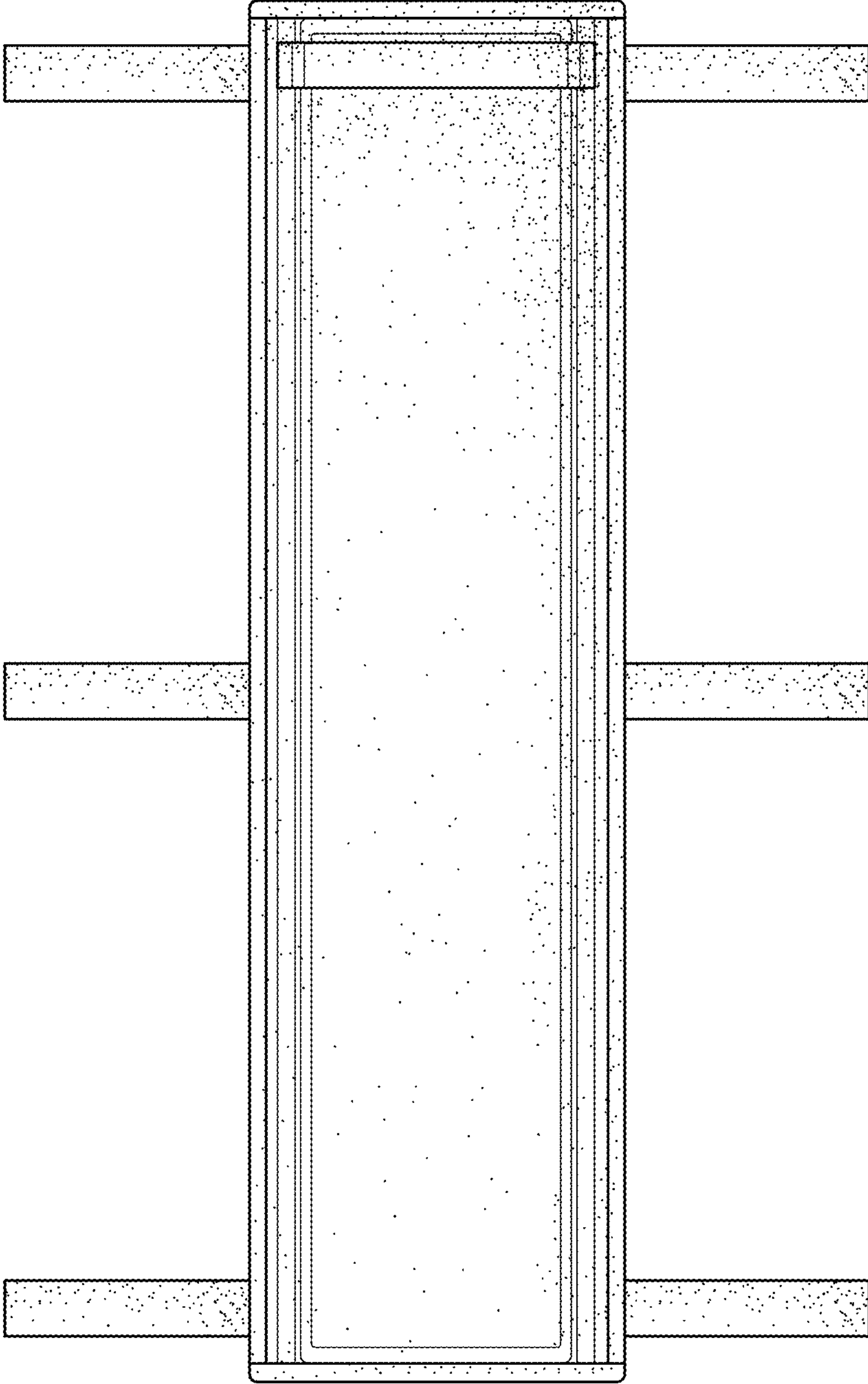


FIG. 41

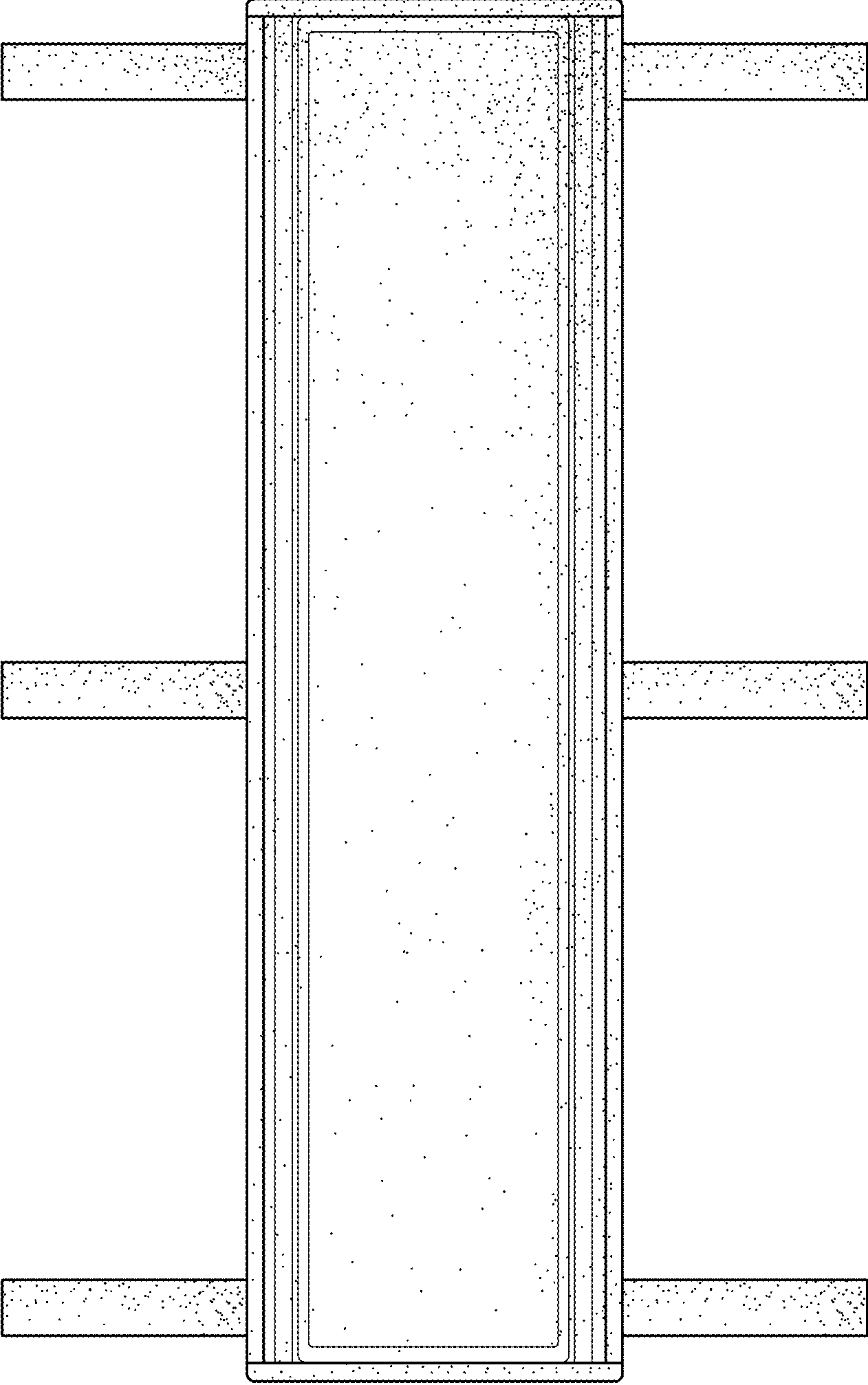


FIG. 42