



US00D795602S

(12) **United States Design Patent**
Neil et al.

(10) **Patent No.:** **US D795,602 S**

(45) **Date of Patent:** **** Aug. 29, 2017**

(54) **CHAIR**

(71) Applicants: **Gary Neil**, Mississauga (CA); **Todd Anthony Yetman**, Richmond Hill (CA)

(72) Inventors: **Gary Neil**, Mississauga (CA); **Todd Anthony Yetman**, Richmond Hill (CA)

(73) Assignee: **Allseating Corporation**, Mississauga (CA)

(**) Term: **15 Years**

(21) Appl. No.: **29/567,917**

(22) Filed: **Jun. 14, 2016**

(51) **LOC (10) Cl.** **06-01**

(52) **U.S. Cl.**
USPC **D6/366**

(58) **Field of Classification Search**
USPC D6/334-336, 364, 365, 366, 374, 379,
D6/716, 716.1, 716.2, 716.4
CPC .. A47C 7/38; A47C 7/022; A47C 7/40; A47C
7/18; A47C 7/004; A47C 4/028; A47C
7/54

See application file for complete search history.

(56) **References Cited**

U.S. PATENT DOCUMENTS

D556,481 S * 12/2007 Harley D6/366
D597,329 S * 8/2009 Tanaka D6/366

D648,147 S * 11/2011 Izawa D6/366
D648,552 S * 11/2011 Izawa D6/366
D656,329 S * 3/2012 Nakamura D6/366
D661,117 S * 6/2012 Tanaka D6/366
D665,591 S * 8/2012 Tanaka D6/366
D670,927 S * 11/2012 Hurford D6/366
D671,759 S * 12/2012 Hurford D6/366

* cited by examiner

Primary Examiner — Mimoso De

(74) *Attorney, Agent, or Firm* — Lorelei G. Graham

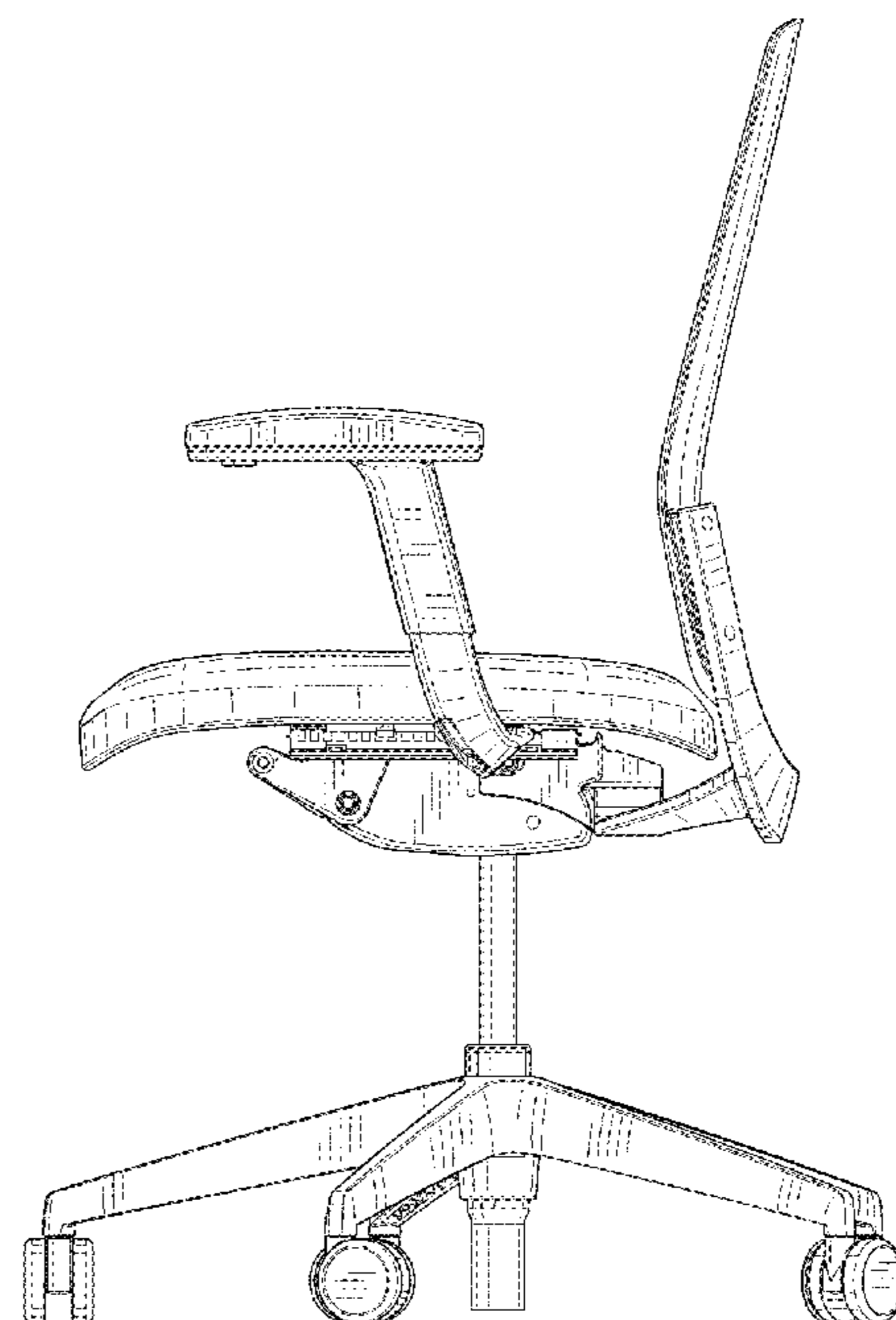
(57) **CLAIM**

The ornamental design for the chair, as shown and described.

DESCRIPTION

FIG. 1 is a front perspective view of the chair.
FIG. 2 is a back perspective view of the chair.
FIG. 3 is a right side view of the chair.
FIG. 4 is a front view of the chair.
FIG. 5 is a left side view of the chair.
FIG. 6 is a back view of the chair.
FIG. 7 a top view of the chair; and,
FIG. 8 is a bottom view of the chair.
The portions in dashed lines do not form part of the design.

1 Claim, 4 Drawing Sheets



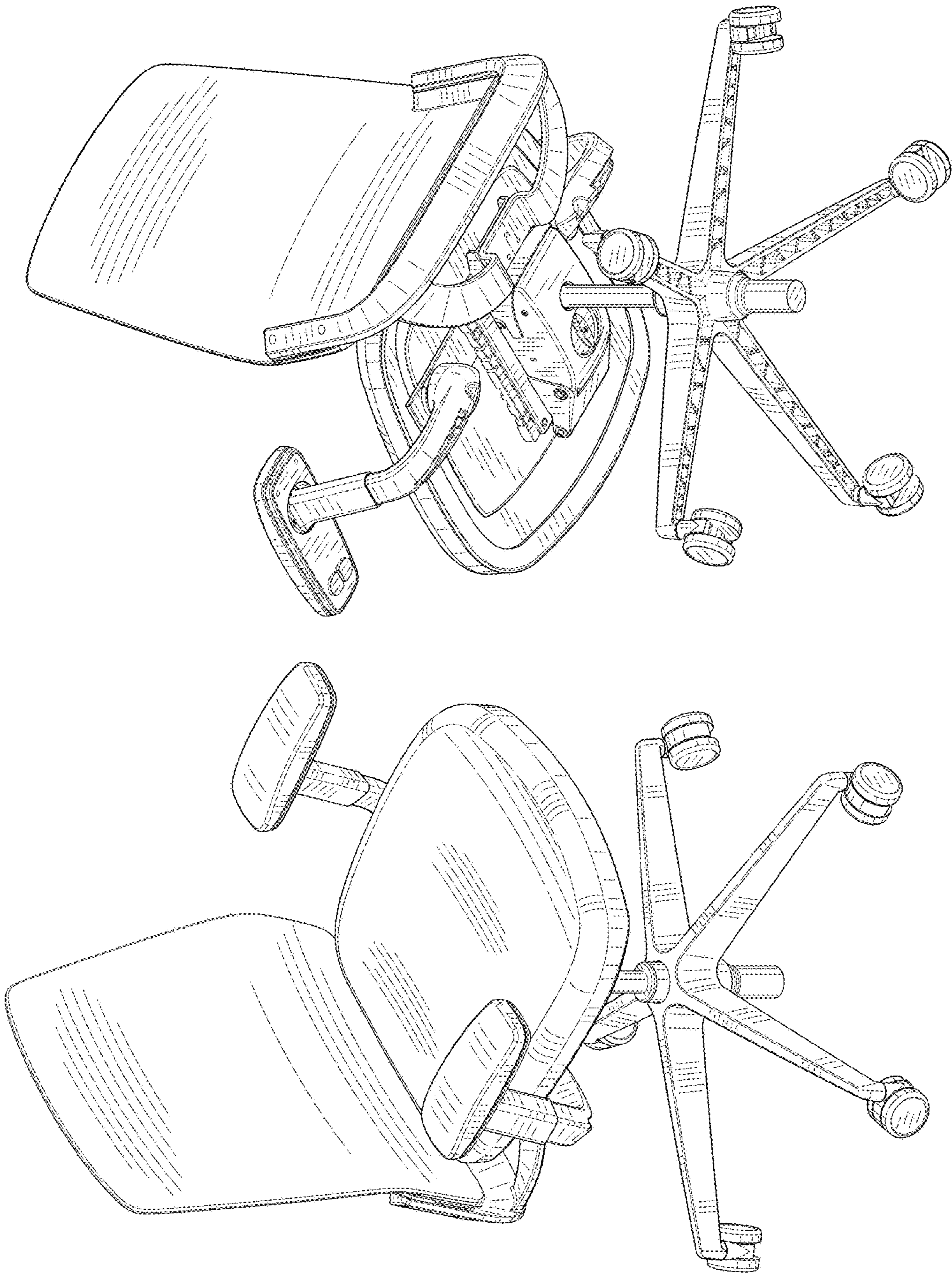


FIG. 2

FIG. 1

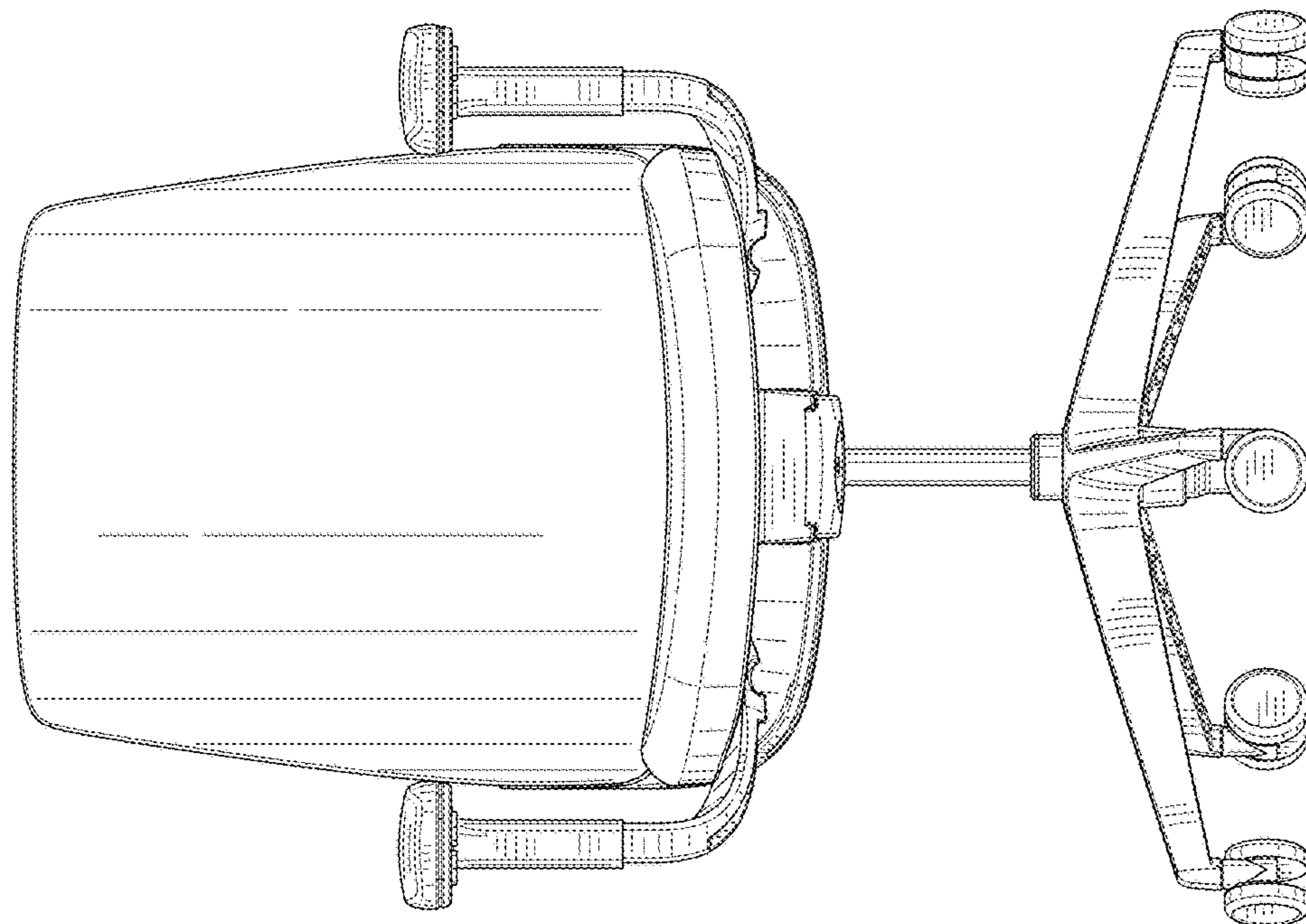


FIG. 4

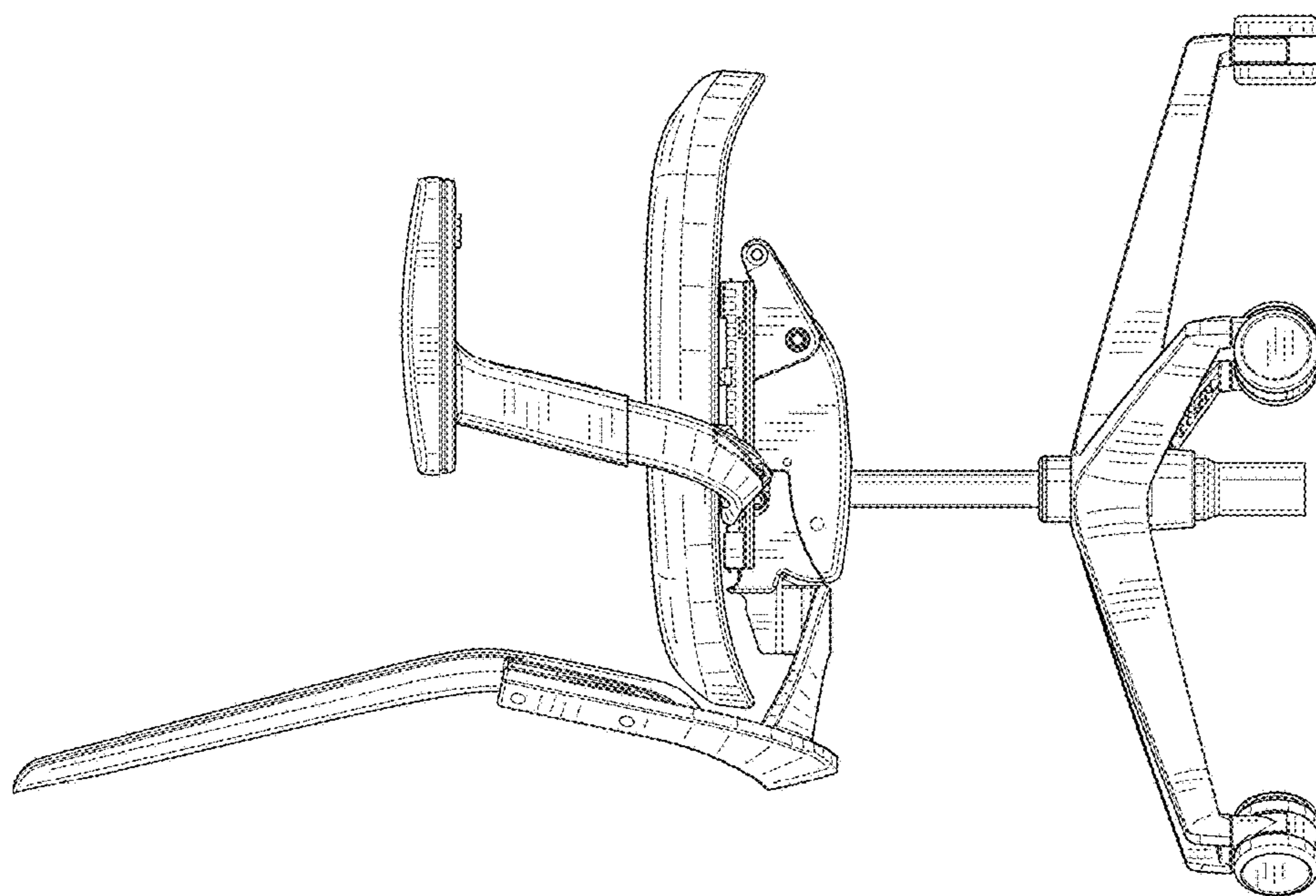


FIG. 3

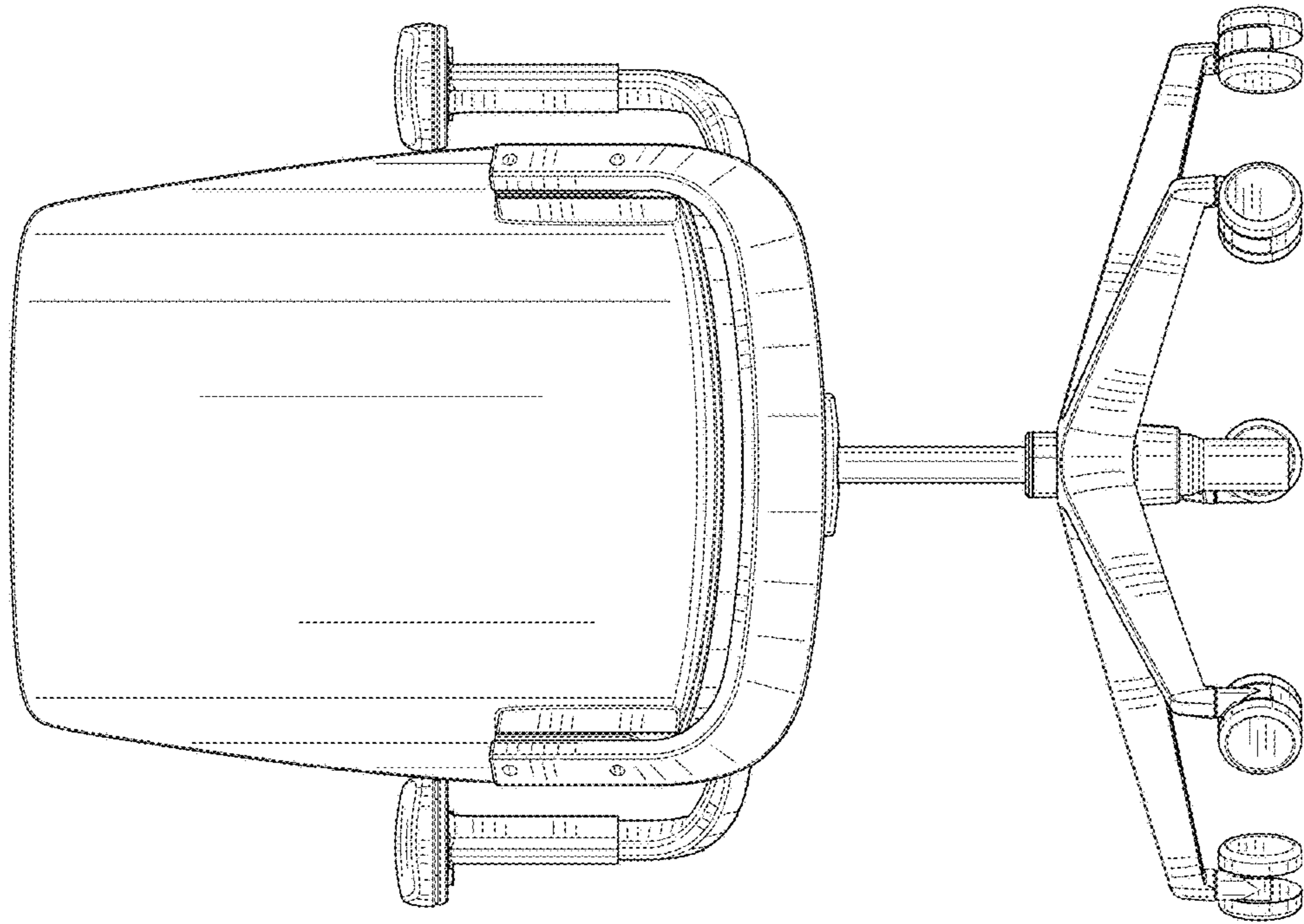


FIG. 6

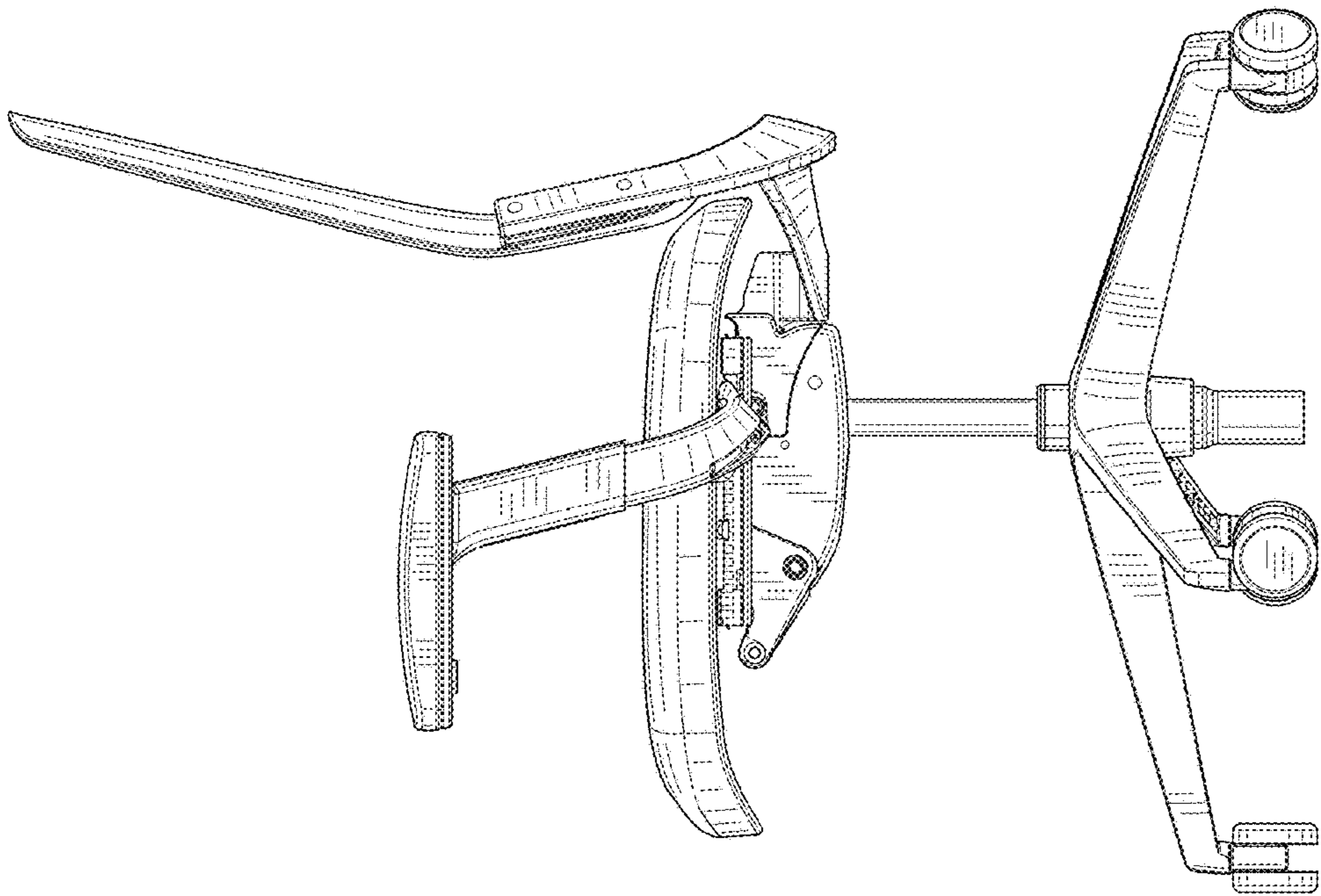


FIG. 5

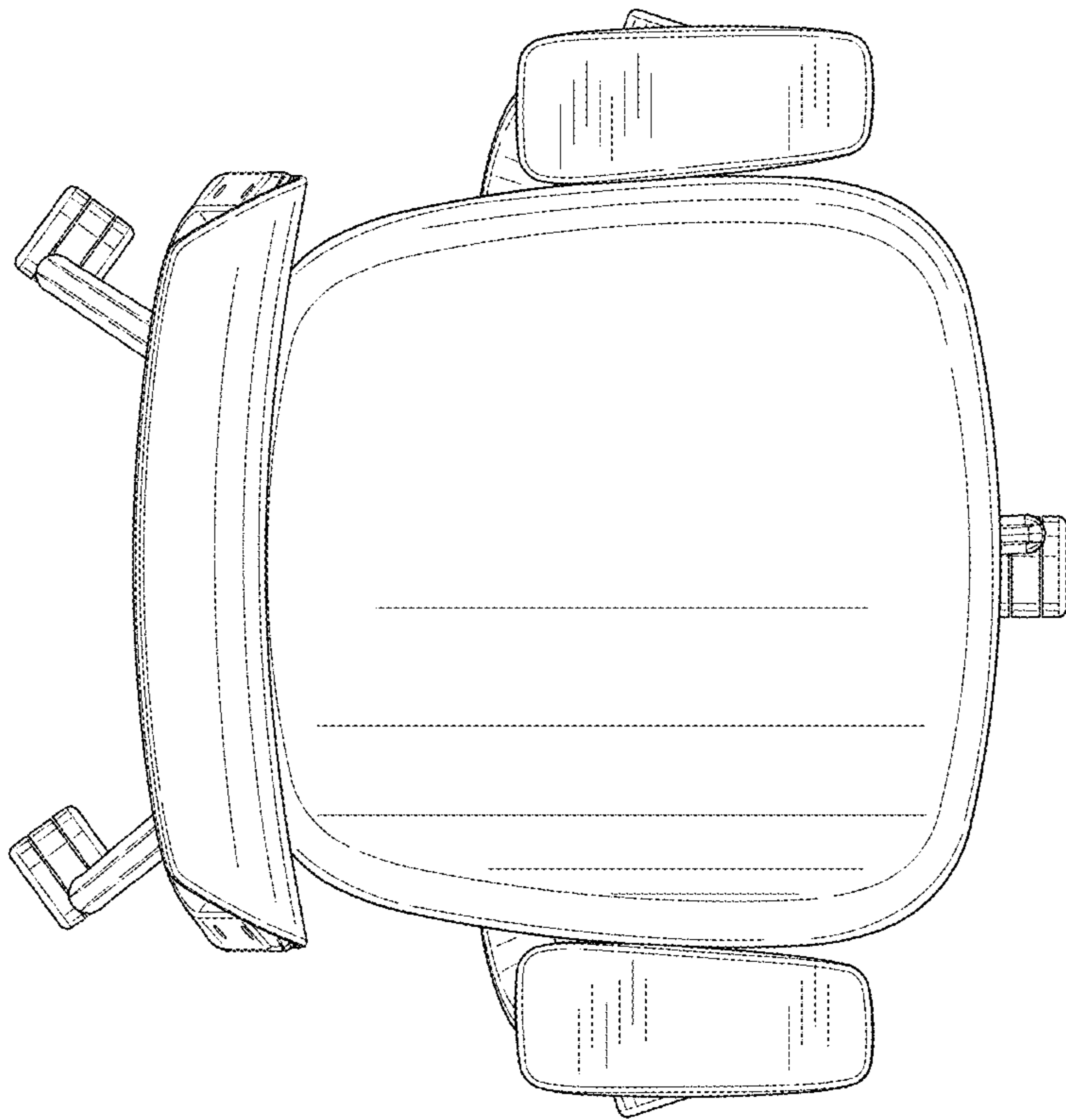


FIG. 7

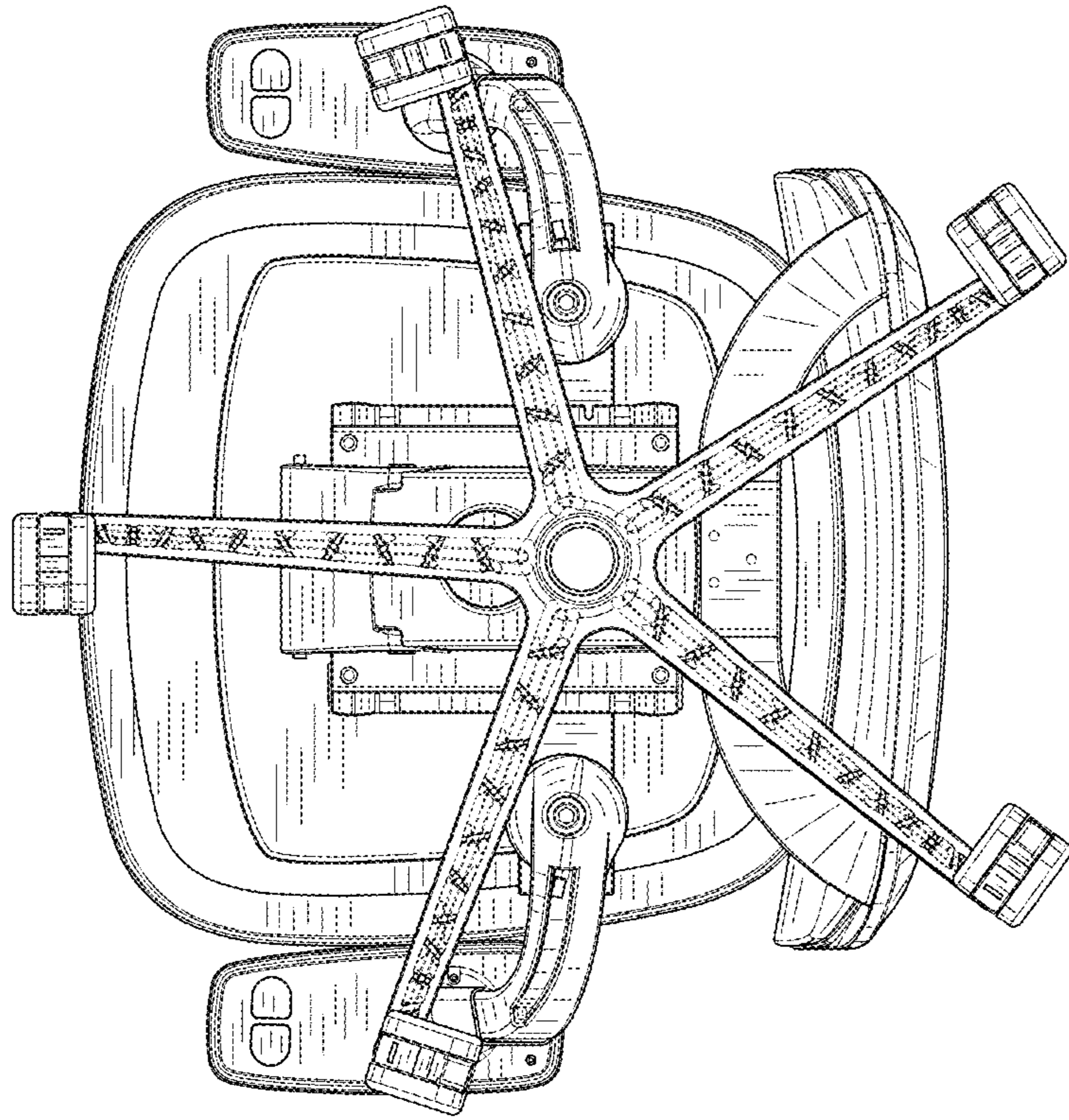


FIG. 8