



US00D795600S

(12) **United States Design Patent**  
**Temple**

(10) **Patent No.:** **US D795,600 S**

(45) **Date of Patent:** **\*\* Aug. 29, 2017**

- (54) **FOOTSTOOL**
- (71) Applicant: **Sabrina Temple**, Glen Allen, VA (US)
- (72) Inventor: **Sabrina Temple**, Glen Allen, VA (US)
- (\*\*) Term: **15 Years**
- (21) Appl. No.: **29/554,100**
- (22) Filed: **Feb. 8, 2016**
- (51) **LOC (10) Cl.** ..... **06-01**
- (52) **U.S. Cl.**  
USPC ..... **D6/349**
- (58) **Field of Classification Search**  
USPC ..... D6/334, 349-355, 363, 360, 368, 374,  
D6/403, 405, 685, 688.17, 693-693.3,  
D6/695, 708, 708.15-708.25, 709.11;  
D25/62-65  
CPC .... A47C 9/00-9/105; A47C 7/00-7/02; A47C  
16/00-16/04; A47B 7/00-7/02; A47B  
3/00; A47B 3/02; A47B 3/04; A47B 3/12  
See application file for complete search history.

- 5,715,761 A \* 2/1998 Frattini ..... A47B 7/02  
108/50.02
- D483,084 S \* 12/2003 Gvoich ..... D21/671
- D493,966 S \* 8/2004 Rach ..... D6/349
- D538,557 S \* 3/2007 Martyn ..... D6/349
- D540,072 S \* 4/2007 Steinman ..... D6/693.1
- D698,163 S \* 1/2014 Edwards ..... D6/349
- D699,457 S \* 2/2014 Bosman ..... D6/349
- D705,555 S \* 5/2014 Adjaye ..... D6/349
- D712,169 S \* 9/2014 Revoir ..... D6/349

\* cited by examiner

*Primary Examiner* — Vy Koenig

(74) *Attorney, Agent, or Firm* — McGuireWoods LLP

(57) **CLAIM**

I claim the ornamental design for a footstool, as shown and described.

**DESCRIPTION**

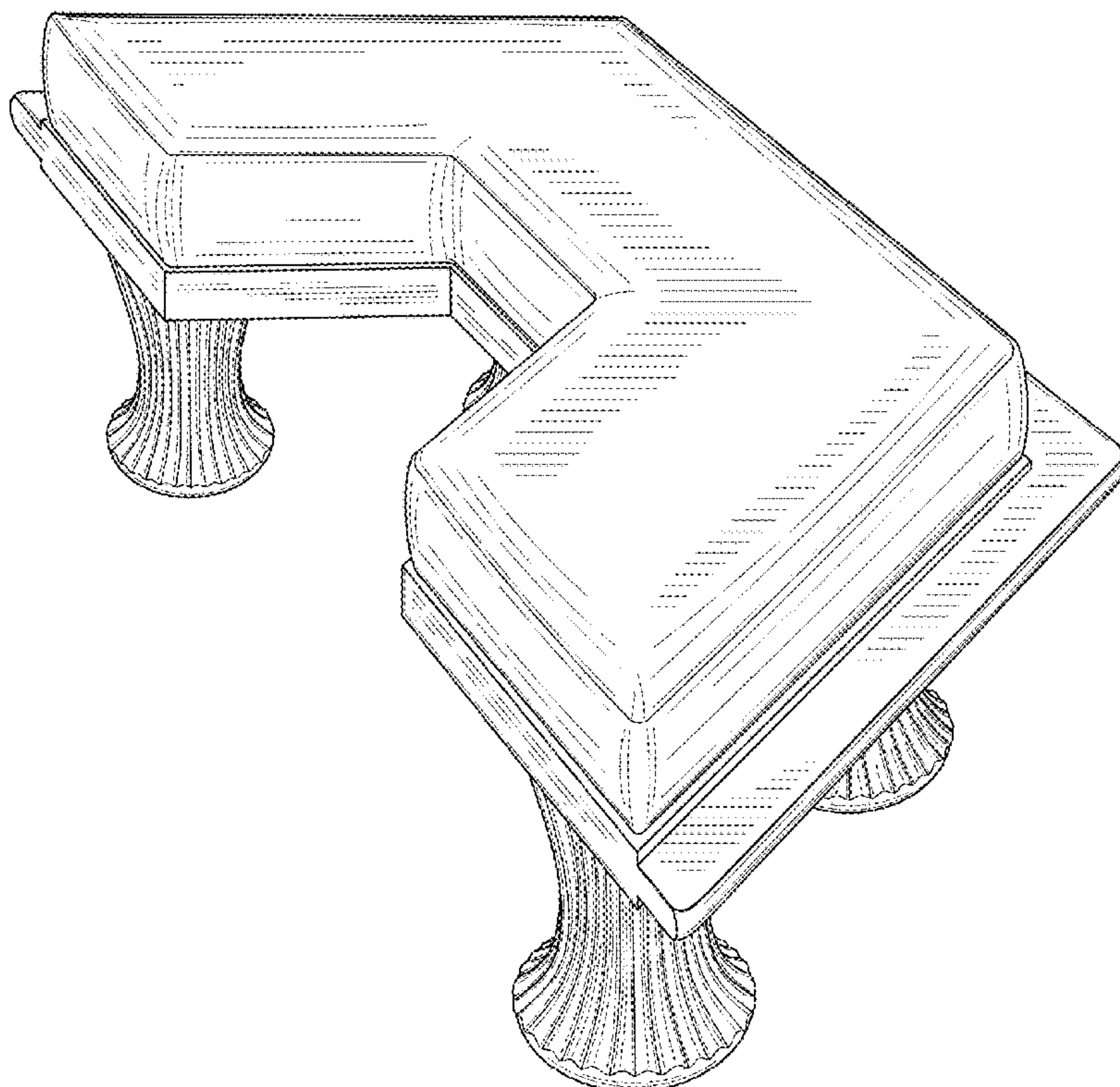
FIG. 1 is a right perspective view of the footstool;  
FIG. 2 is a front view of the footstool shown in FIG. 1;  
FIG. 3 is a rear view of the footstool shown in FIG. 1;  
FIG. 4 is a right-side view of the footstool shown in FIG. 1;  
FIG. 5 is a left-side view of the footstool shown in FIG. 1.  
FIG. 6 is a top view of the footstool shown in FIG. 1; and,  
FIG. 7 is a bottom view of the footstool shown in FIG. 1.  
The dashed lines in the drawings depict portions of the  
footstool that form no part of the claimed design.

**1 Claim, 6 Drawing Sheets**

(56) **References Cited**

U.S. PATENT DOCUMENTS

- D248,697 S \* 8/1978 Miller ..... D6/349
- D293,286 S \* 12/1987 Alfer ..... 5/653
- D309,680 S \* 8/1990 Gusty ..... D6/349
- 5,540,642 A \* 7/1996 Sprague ..... A63B 23/03533  
482/123



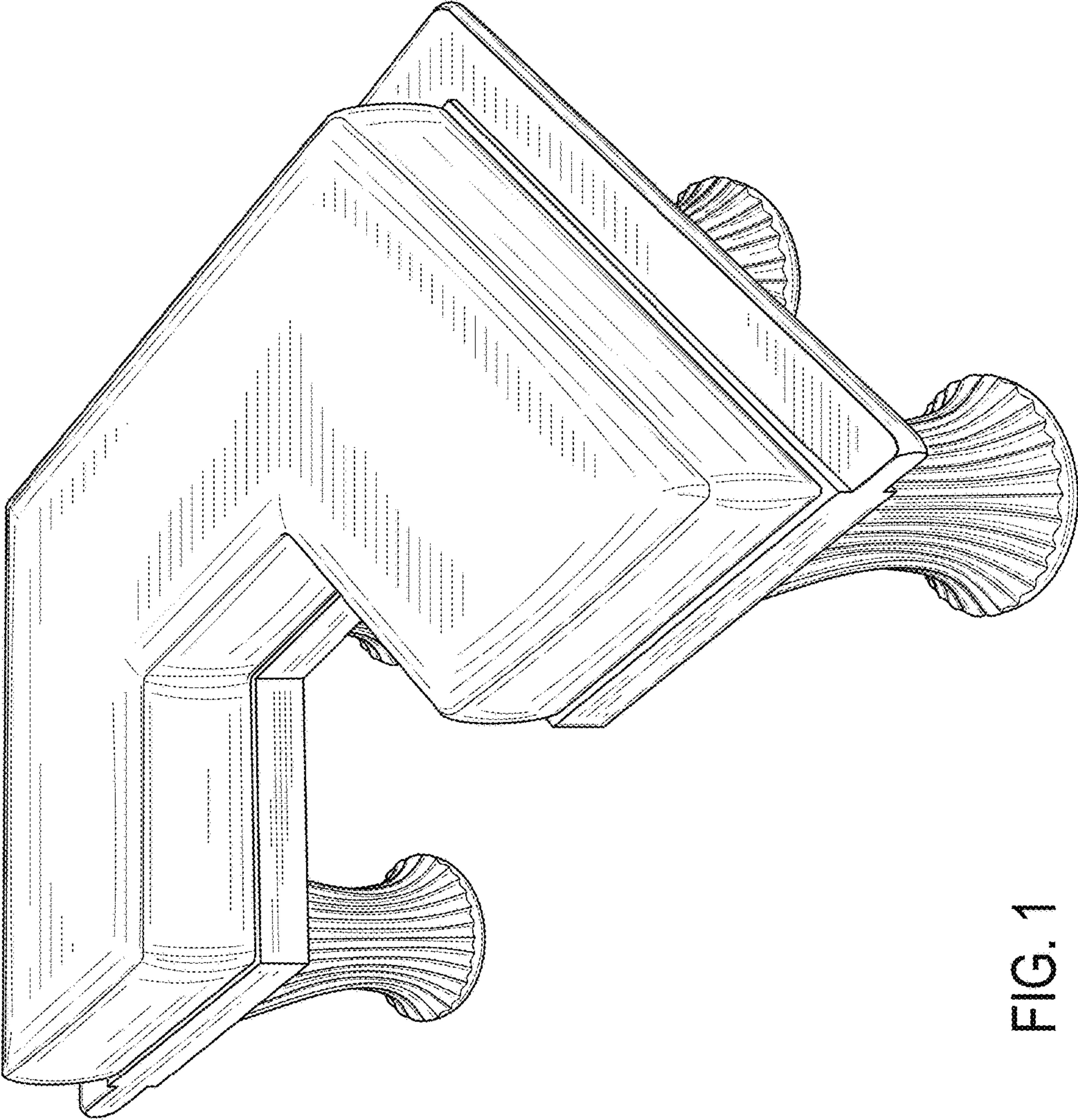


FIG. 1



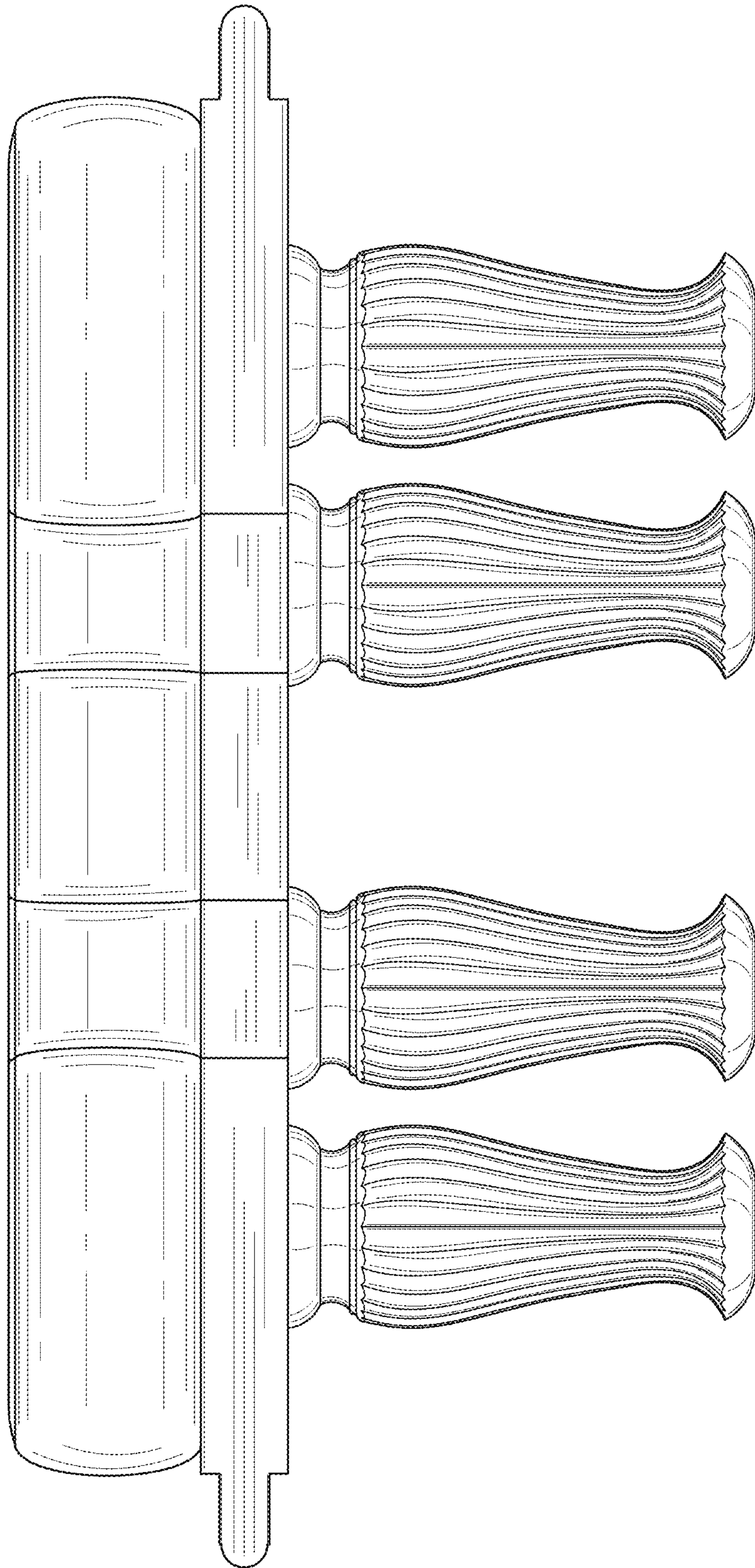


FIG. 2

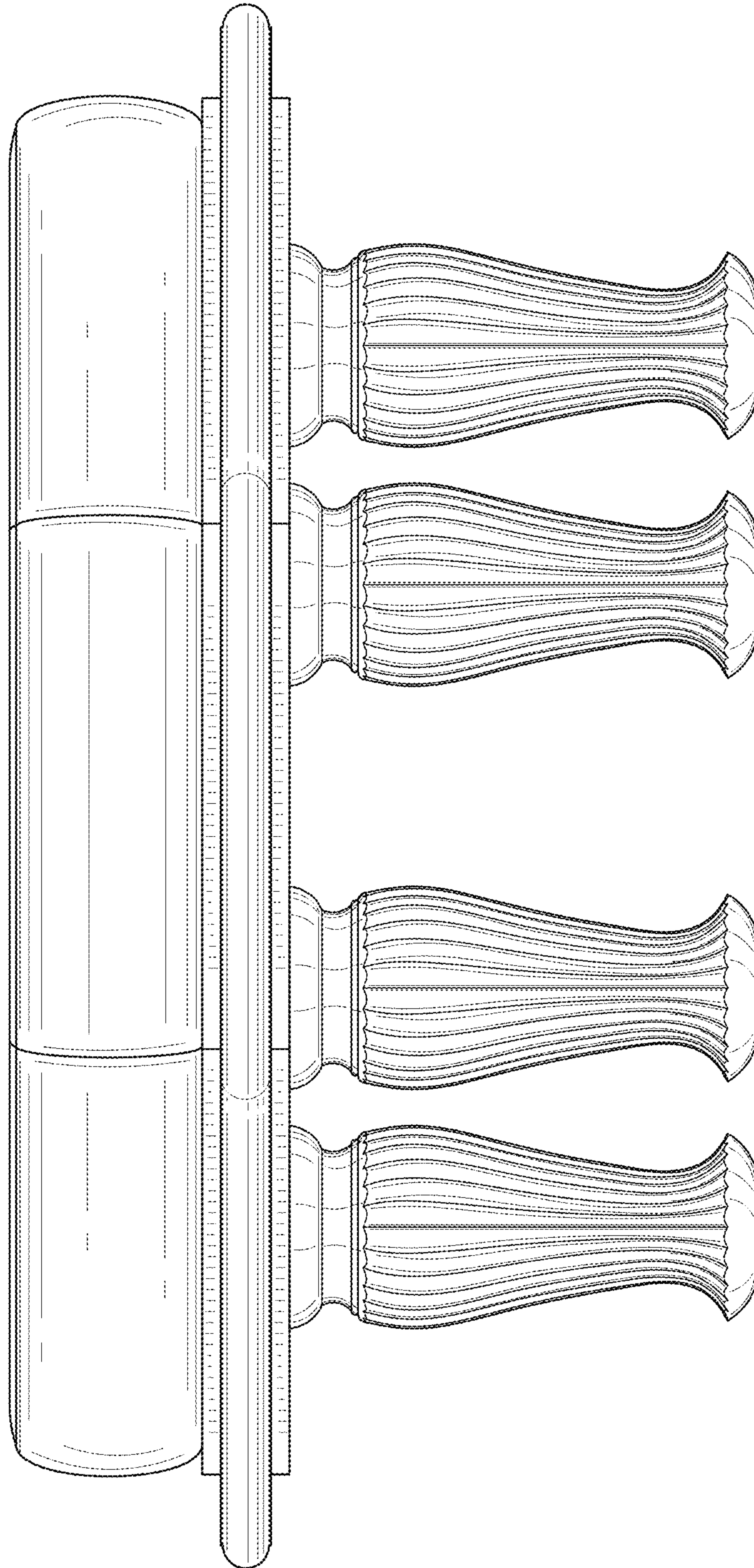


FIG. 3



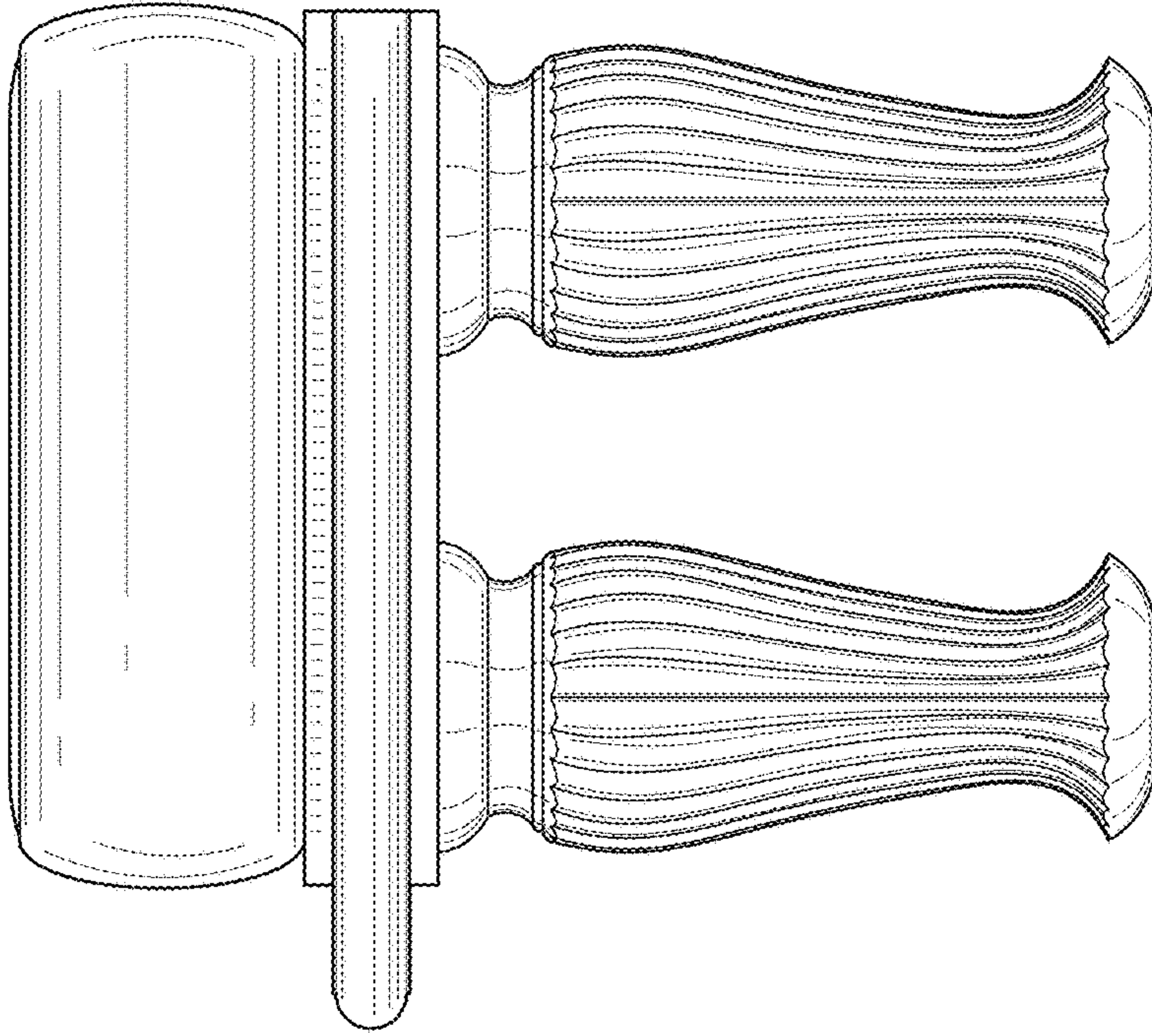


FIG. 5

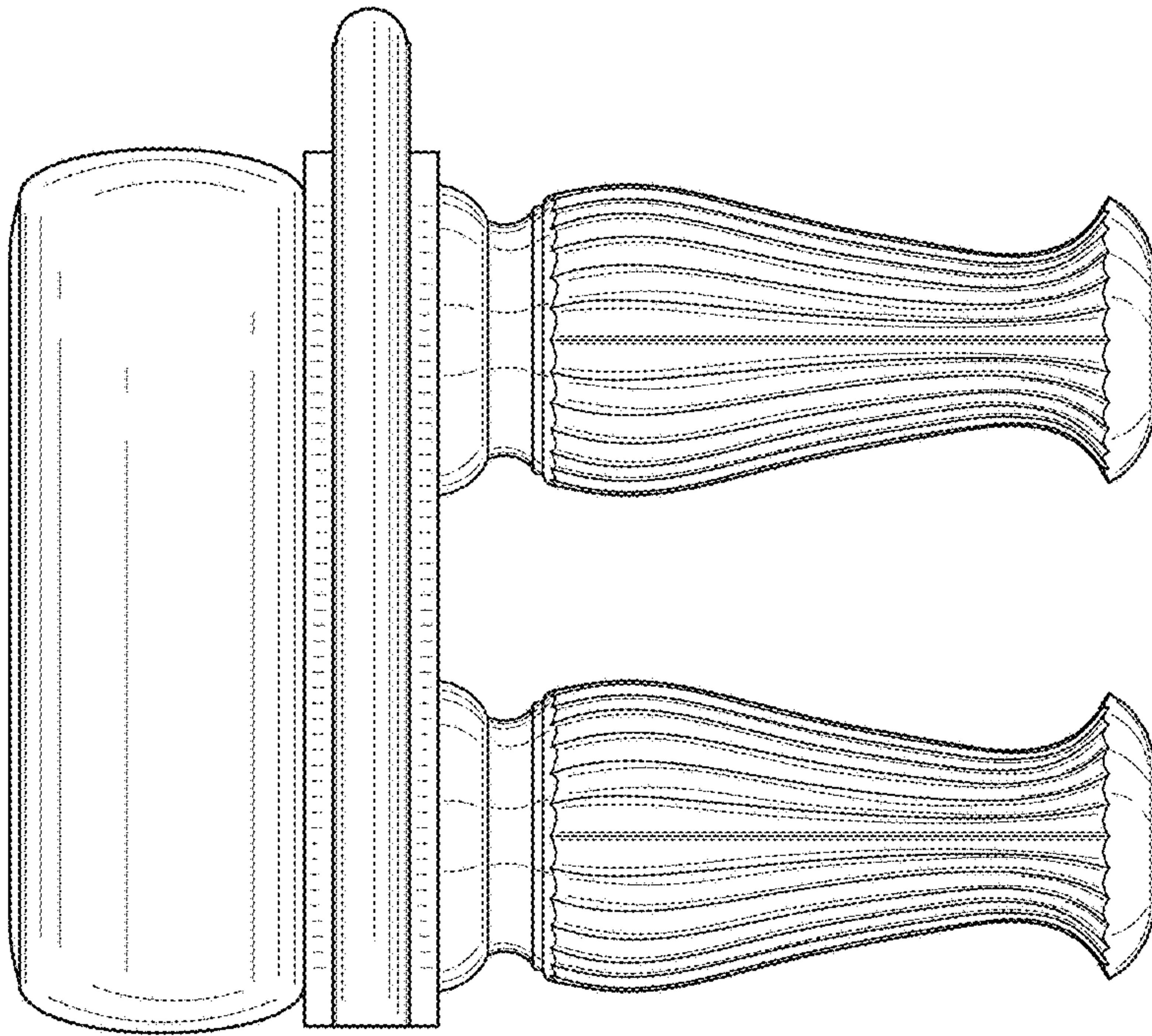


FIG. 4

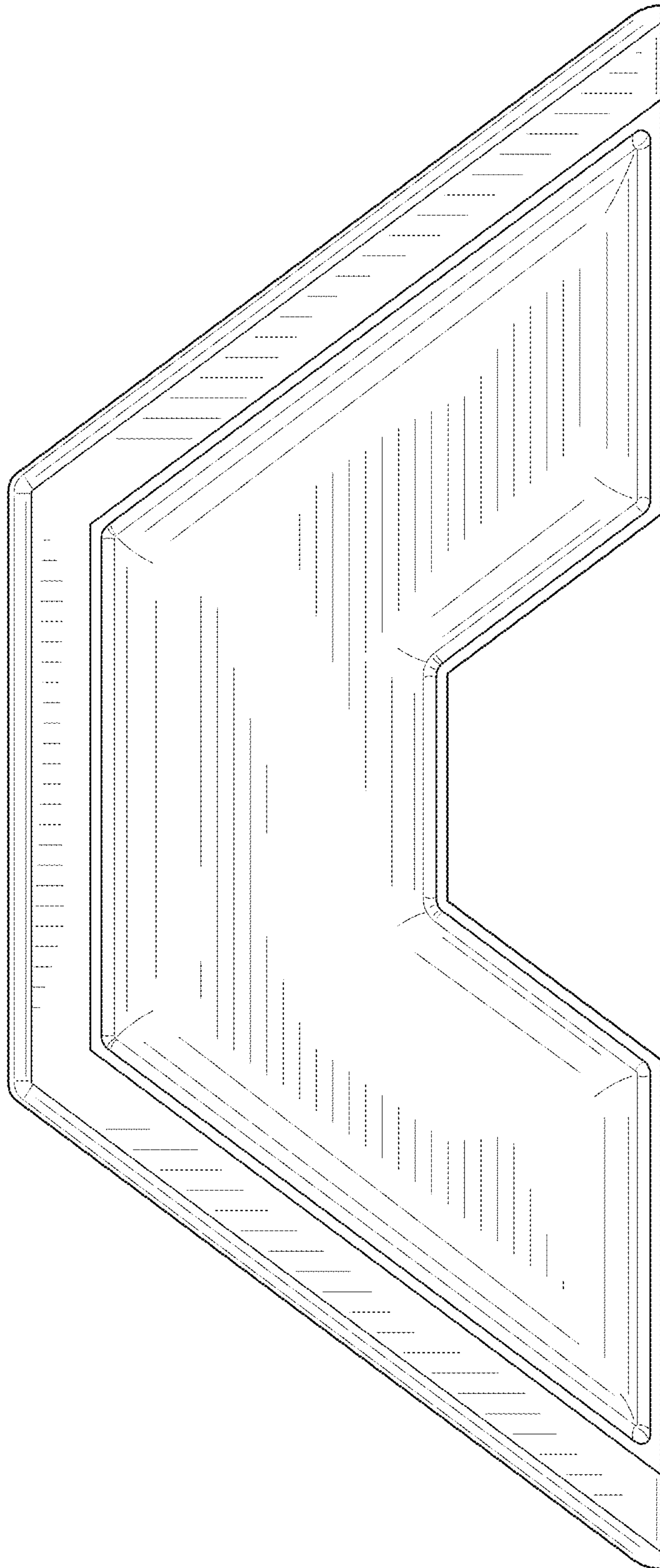


FIG. 6

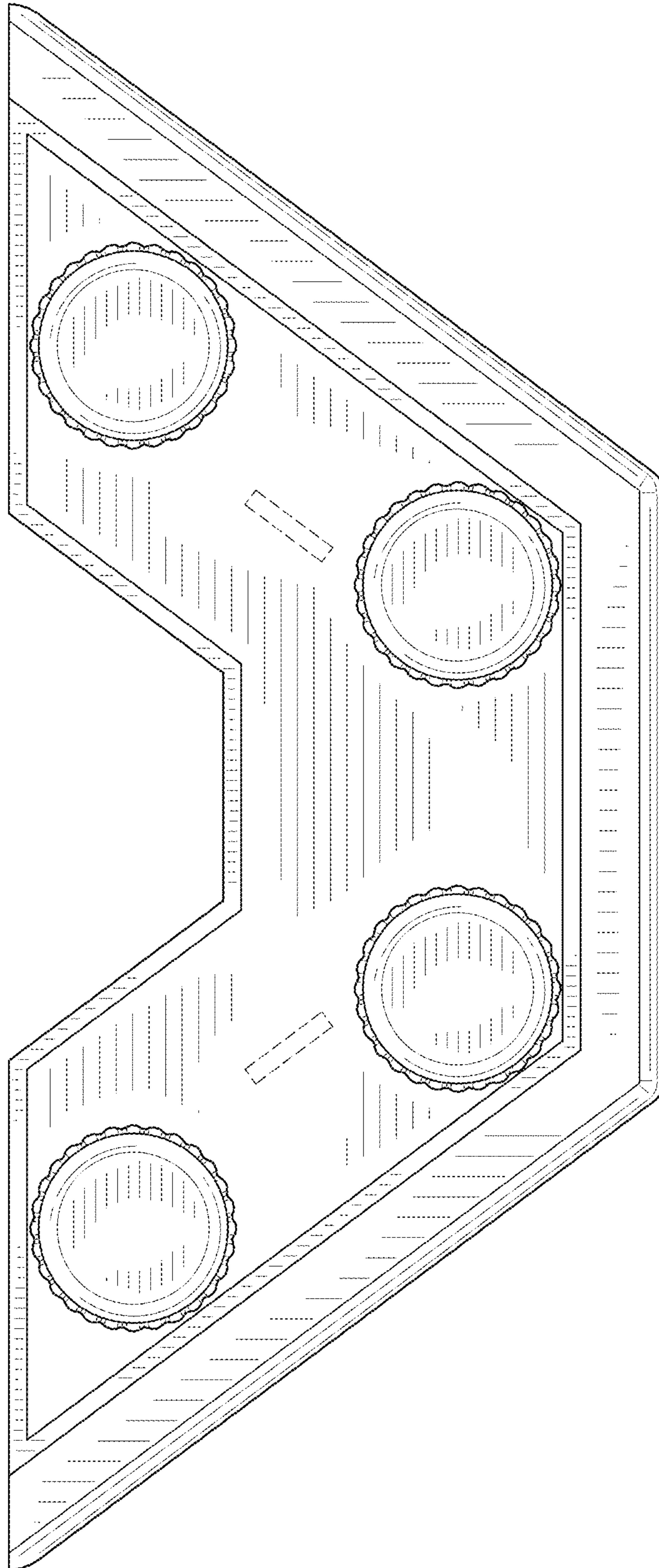


FIG. 7