



US00D795598S

(12) **United States Design Patent** (10) **Patent No.:** **US D795,598 S**  
**Macias et al.** (45) **Date of Patent:** **\*\* Aug. 29, 2017**

(54) **JEWELRY HANGER**  
(71) Applicants: **Tammi Sue Macias**, Worth, IL (US);  
**Ralph Richard Macias**, Dyer, IN (US)  
(72) Inventors: **Tammi Sue Macias**, Worth, IL (US);  
**Ralph Richard Macias**, Dyer, IN (US)  
(\*\*) Term: **15 Years**

D264,911 S \* 6/1982 Annis ..... D6/316  
4,966,287 A \* 10/1990 Snyder ..... A45C 11/16  
211/113  
D367,768 S \* 3/1996 Wagner ..... D6/319  
D543,367 S \* 5/2007 Sack ..... D6/315  
D598,206 S \* 8/2009 Gouldson ..... D6/318  
9,215,943 B1 \* 12/2015 Varghese-Abraham  
..... A47F 7/022  
D782,832 S \* 4/2017 Macias ..... D6/315  
2005/0023310 A1 \* 2/2005 Noda ..... A47G 25/1407  
223/93

(21) Appl. No.: **29/594,046**  
(22) Filed: **Feb. 15, 2017**

\* cited by examiner

**Related U.S. Application Data**

(62) Division of application No. 29/556,482, filed on Mar. 1, 2016, now Pat. No. Des. 782,832.

*Primary Examiner* — Ian Simmons  
*Assistant Examiner* — Lauren Calve  
(74) *Attorney, Agent, or Firm* — Dunlap Bennett & Ludwig PLLC

(51) **LOC (10) Cl.** ..... **06-08**  
(52) **U.S. Cl.**  
USPC ..... **D6/315**

(57) **CLAIM**

The ornamental design for a jewelry hanger, as shown and described.

(58) **Field of Classification Search**  
USPC ..... D6/315–328; 223/85–98; 211/10, 13.1,  
211/85.3, 86.01, 87.01, 113, 119  
CPC ..... A47G 25/28; A47G 25/38; A47G 25/14;  
A47G 25/442; A47G 25/483; A47G  
25/485; A47G 25/4023; Y10S 223/04;  
A47F 5/0006

**DESCRIPTION**

FIG. 1 is a front perspective view of a jewelry hanger;  
FIG. 2 is a front elevation view of FIG. 1;  
FIG. 3 is a rear elevation view of FIG. 1;  
FIG. 4 is a left side elevation view of FIG. 1;  
FIG. 5 is a right side elevation view of FIG. 1;  
FIG. 6 is a top plan view of FIG. 1;  
FIG. 7 is a bottom plan view of FIG. 1;  
FIG. 8 is a bottom sectional plan view of FIG. 1, taken along line 8-8 in FIG. 2; and,  
FIG. 9 is a front perspective view of FIG. 1, shown in use.  
The evenly-sized broken lines represent unclaimed subject matter and form no part of the claimed design.  
The dash-dot-dash lines represent the bounds of the claimed design and form no part of the claimed design.

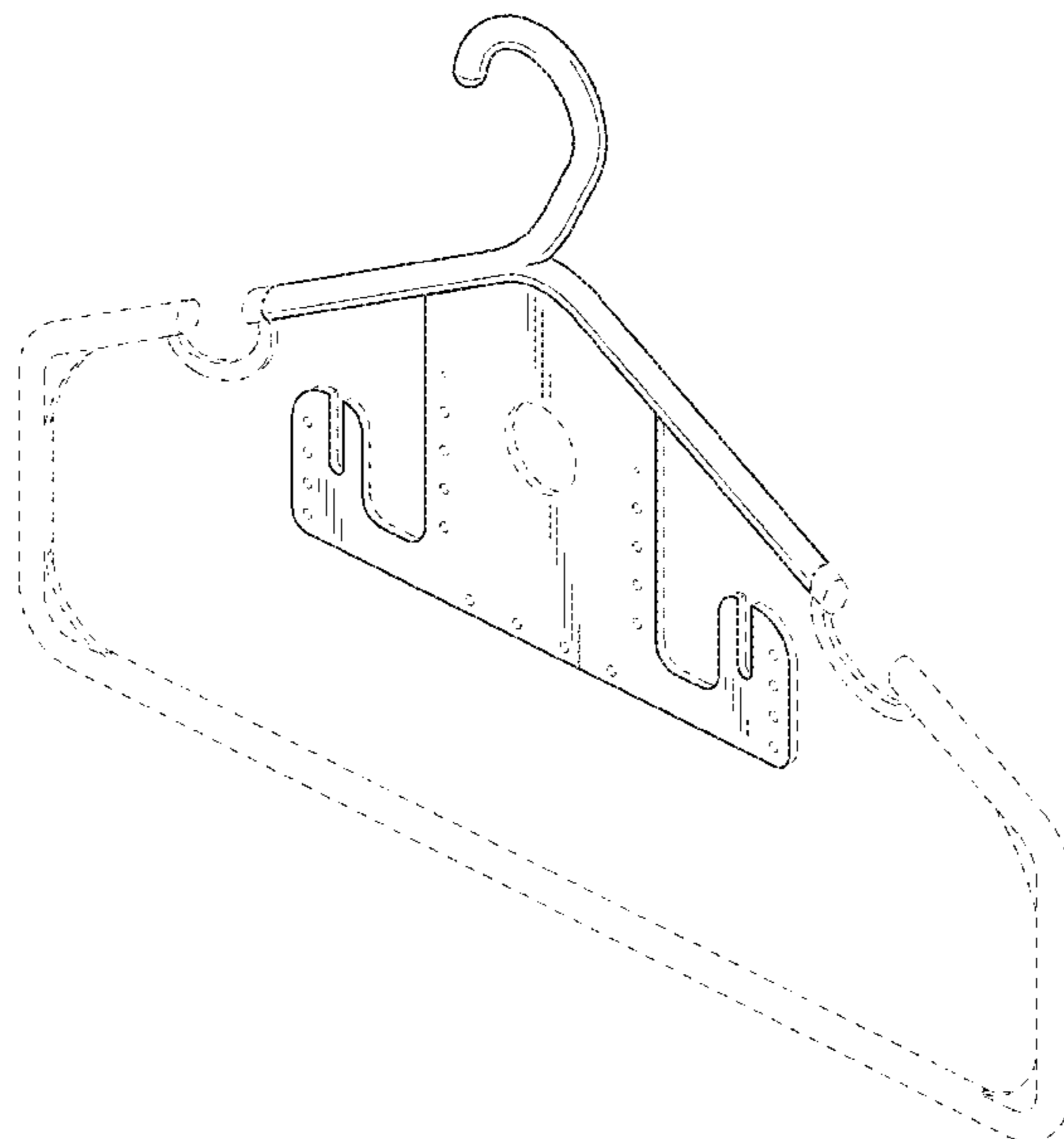
See application file for complete search history.

(56) **References Cited**

**U.S. PATENT DOCUMENTS**

2,681,754 A \* 6/1954 Lefton ..... A47G 25/60  
223/86  
D191,557 S \* 10/1961 Oliver ..... 223/DIG. 1  
D191,647 S \* 10/1961 Seeger ..... 211/85.3  
3,081,881 A \* 3/1963 Seeger ..... A47G 25/743  
211/113  
D204,342 S \* 4/1966 Larkin ..... 223/85

**1 Claim, 6 Drawing Sheets**



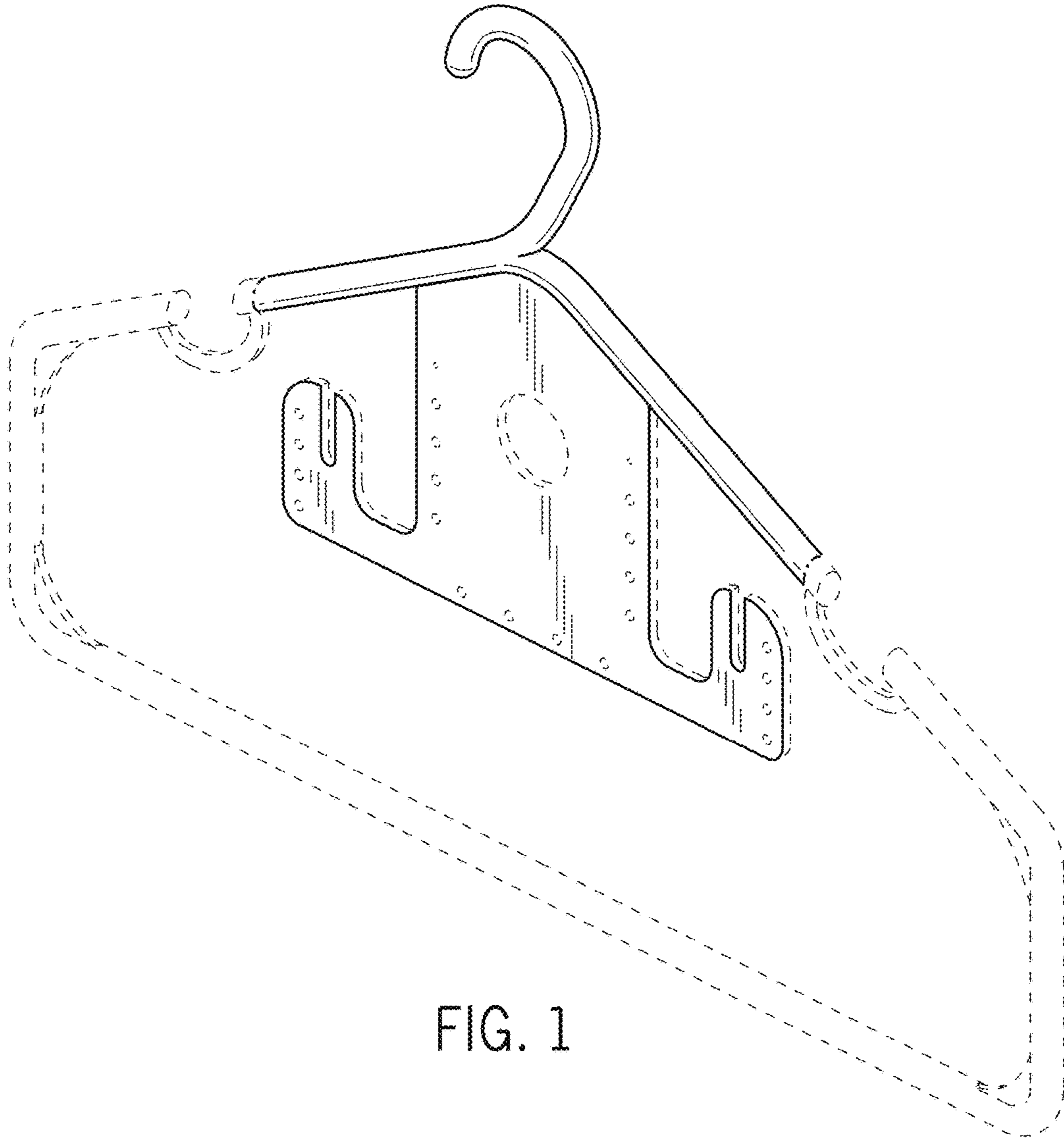


FIG. 1

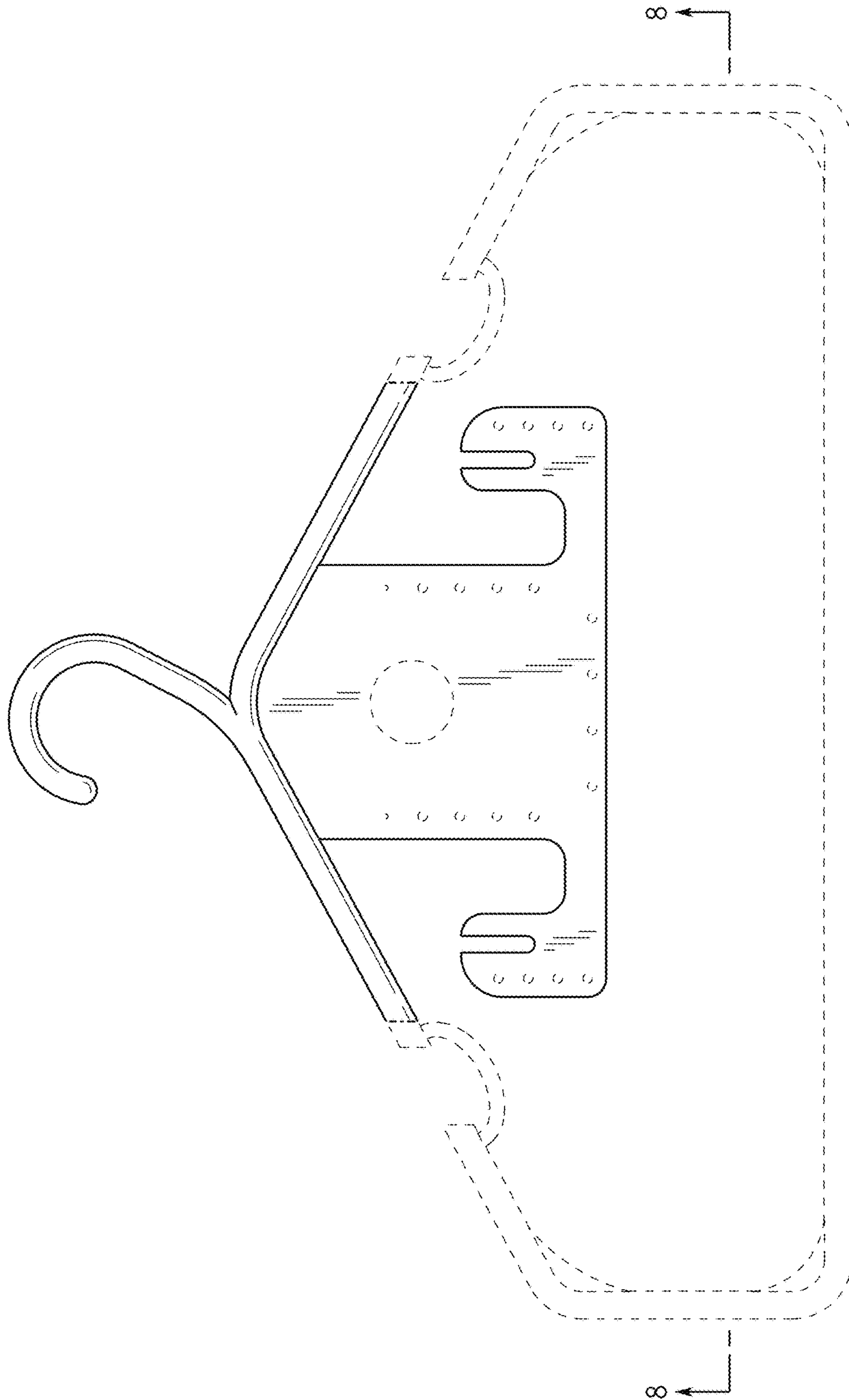


FIG. 2

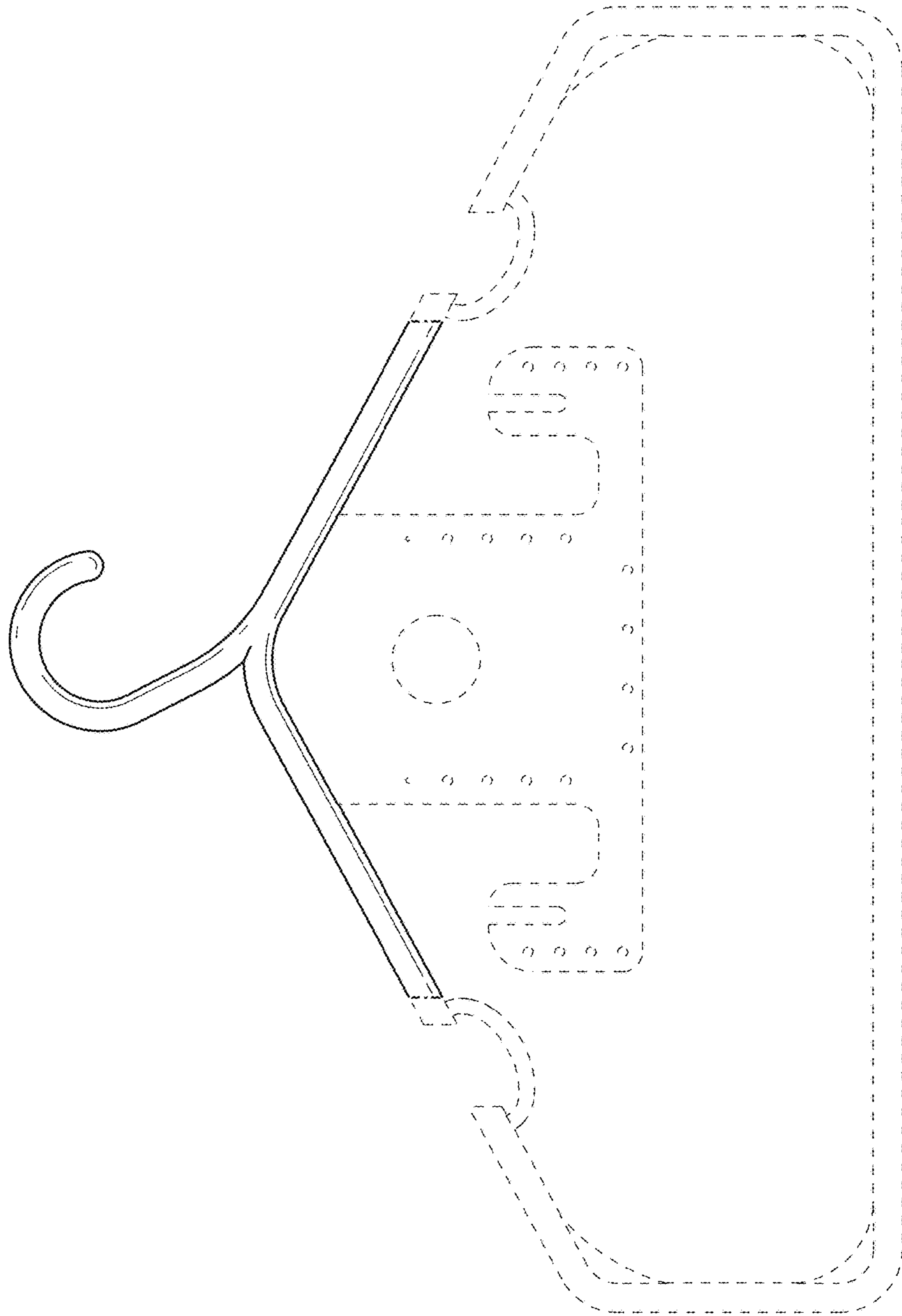


FIG. 3

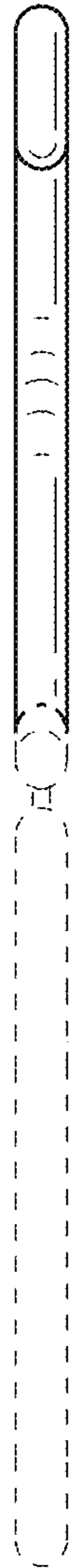


FIG. 4



FIG. 5

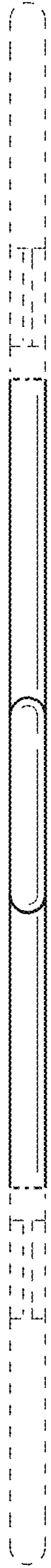


FIG. 6

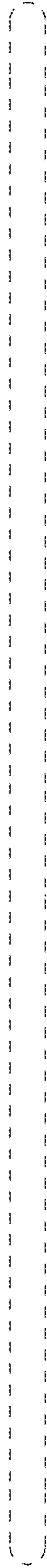


FIG. 7

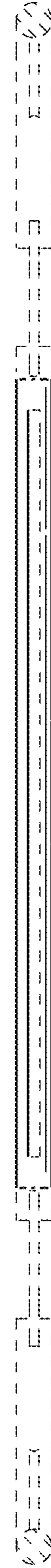


FIG. 8

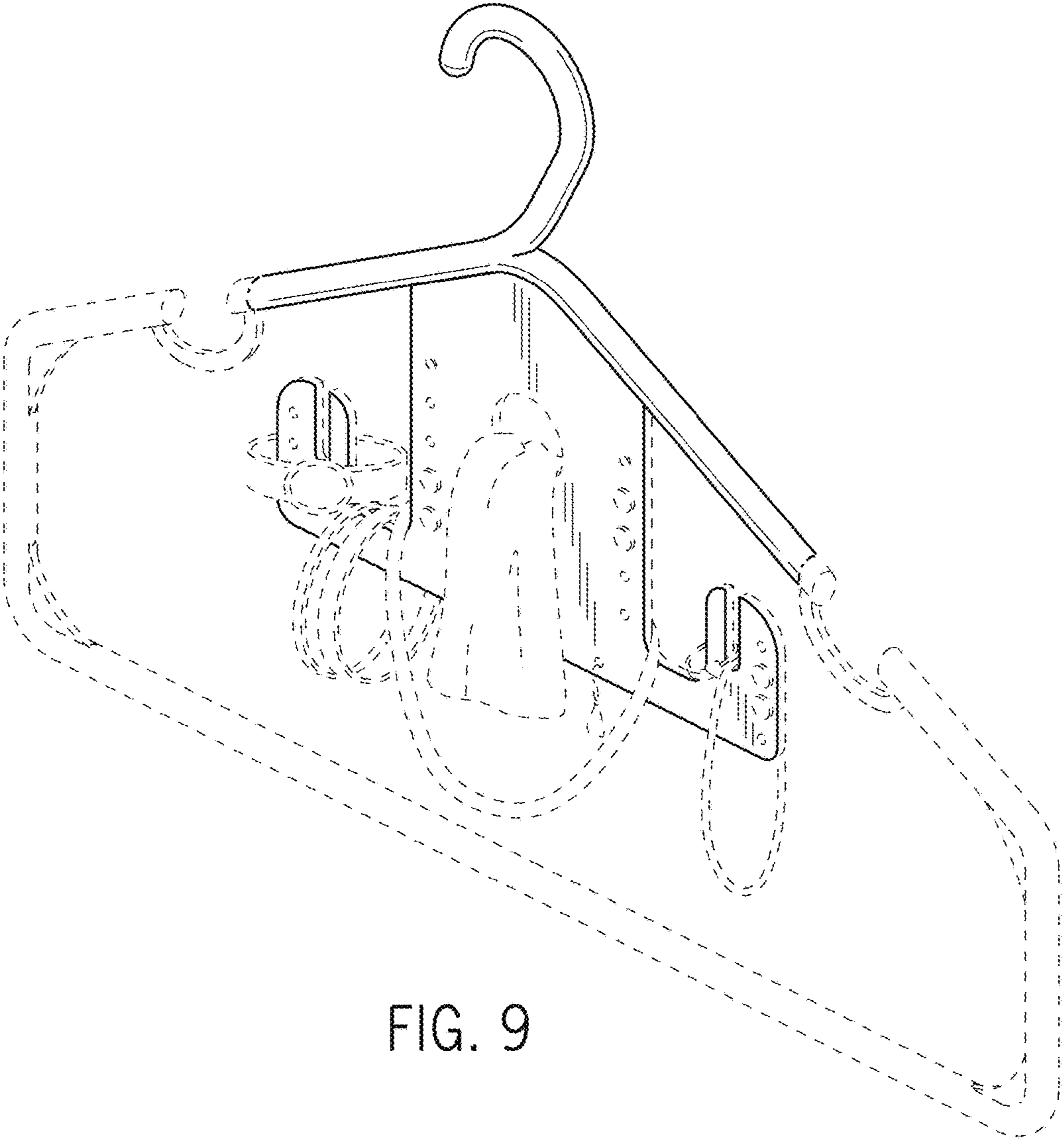


FIG. 9