



US00D795595S

(12) **United States Design Patent** (10) **Patent No.:** **US D795,595 S**  
**Exley** (45) **Date of Patent:** **\*\* Aug. 29, 2017**

(54) **HEATED HAIR STRAIGHTENING BRUSH**  
(71) Applicant: **Ontel Products Corporation**, Fairfield, NJ (US)  
(72) Inventor: **Ross Exley**, Fairfield, NJ (US)  
(73) Assignee: **Ontel Products Corporation**, Fairfield, NJ (US)

(\*\*) Term: **15 Years**  
(21) Appl. No.: **29/505,624**

(22) Filed: **Dec. 23, 2015**  
(51) **LOC (10) Cl.** ..... **04-02**  
(52) **U.S. Cl.**  
USPC ..... **D4/136; D4/134; D4/121**  
(58) **Field of Classification Search**  
USPC ..... D4/100, 102, 114, 115, 116, 121, 127, D4/128, 129, 132, 133, 134, 135, 136, D4/138, 199; D24/214; D28/21, 22, 23, D28/24, 25, 26, 27, 28, 29, 30, 31, 32, D28/33, 34; D30/158; 15/207.2; 132/211  
CPC .. A46B 9/06; A46B 9/02; A46B 9/023; A46B 9/028; A46B 2200/104; A46D 1/0238  
See application file for complete search history.

(56) **References Cited**

U.S. PATENT DOCUMENTS

D24,044 S \* 2/1895 Estabrook ..... D4/138  
D30,044 S \* 1/1899 OaPierre ..... D4/134  
D168,914 S \* 2/1953 Synder ..... D4/136  
D201,429 S \* 6/1965 Hartwell ..... D24/211  
D231,506 S \* 4/1974 Karabelas ..... D4/134  
D317,083 S \* 5/1991 Chou ..... D4/115  
D365,687 S \* 1/1996 Gertsma ..... D4/133  
D370,349 S \* 6/1996 Yu ..... D4/133  
D439,747 S \* 4/2001 Harris ..... D4/136  
D476,160 S \* 6/2003 Choi ..... D4/121  
D508,327 S \* 8/2005 Julemont ..... D4/133

D508,328 S \* 8/2005 Julemont ..... D4/138  
D509,363 S \* 9/2005 Kampel ..... D4/133  
8,083,696 B2 \* 12/2011 Vandebelt ..... A46B 13/023  
601/15  
D764,180 S \* 8/2016 Treeby ..... D4/136  
(Continued)

FOREIGN PATENT DOCUMENTS

EM 002870584-0001 \* 12/2015  
EM 002906453-0001 \* 12/2015

Primary Examiner — Karen E Eldridge Powers  
(74) Attorney, Agent, or Firm — John S. Artz; Dickinson Wright PLLC

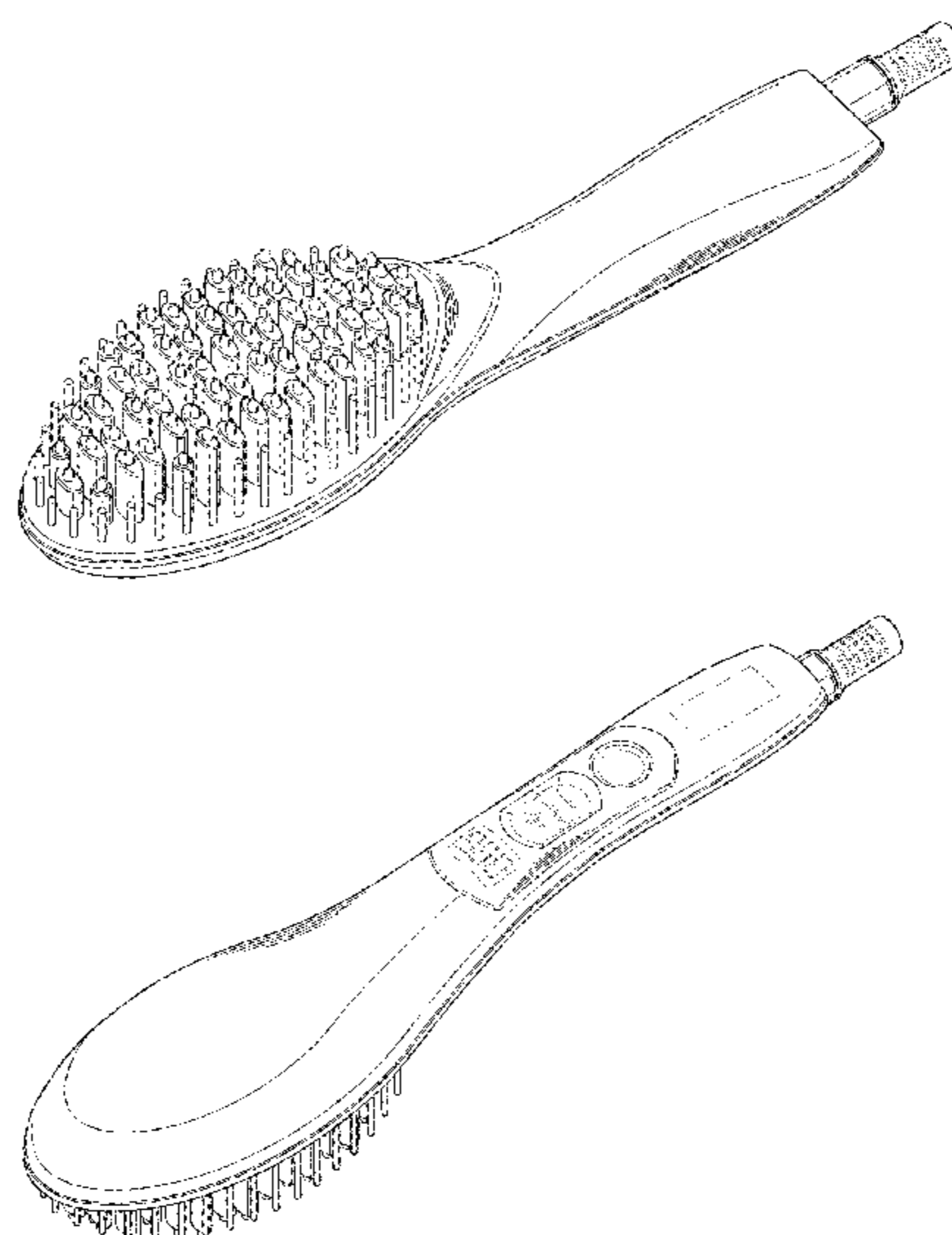
(57) **CLAIM**

The ornamental design for a heated hair straightening brush, as shown and described.

**DESCRIPTION**

FIG. 1 is a top plan view of the heated hair straightening brush;  
FIG. 2 is a left side elevation view of the heated hair straightening brush of FIG. 1;  
FIG. 3 is a bottom plan view of the heated hair straightening brush of FIG. 1;  
FIG. 4 is a right side elevation view of the heated hair straightening brush of FIG. 1;  
FIG. 5 is a bottom perspective view of the heated hair straightening brush of FIG. 1  
FIG. 6 is a top perspective view of the heated hair straightening brush of FIG. 1;  
FIG. 7 is a front elevation view of the heated hair straightening brush of FIG. 1; and,  
FIG. 8 is a rear elevation view of the heated hair straightening brush of FIG. 1.  
The dotted lines shown in the drawings are included for the purpose of illustrating environmental structure and form no part of the claimed design.

**1 Claim, 5 Drawing Sheets**



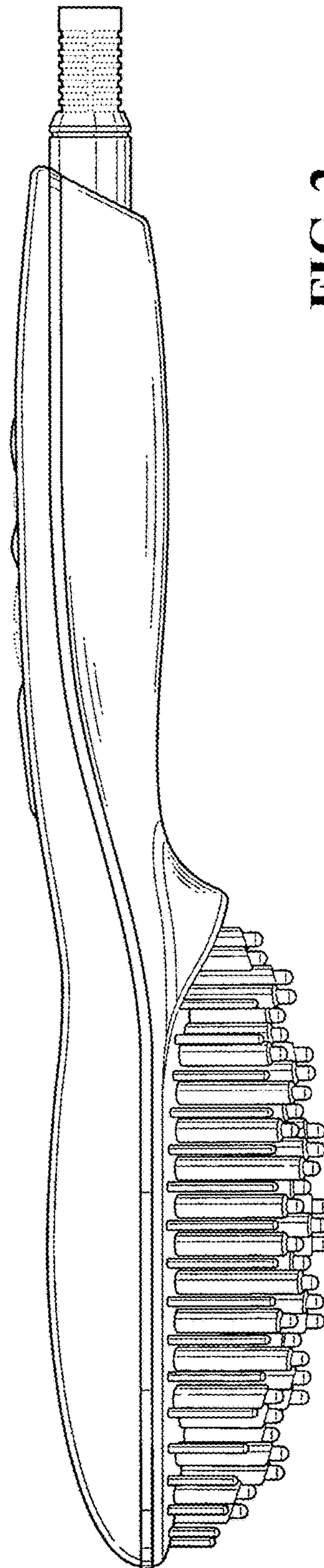
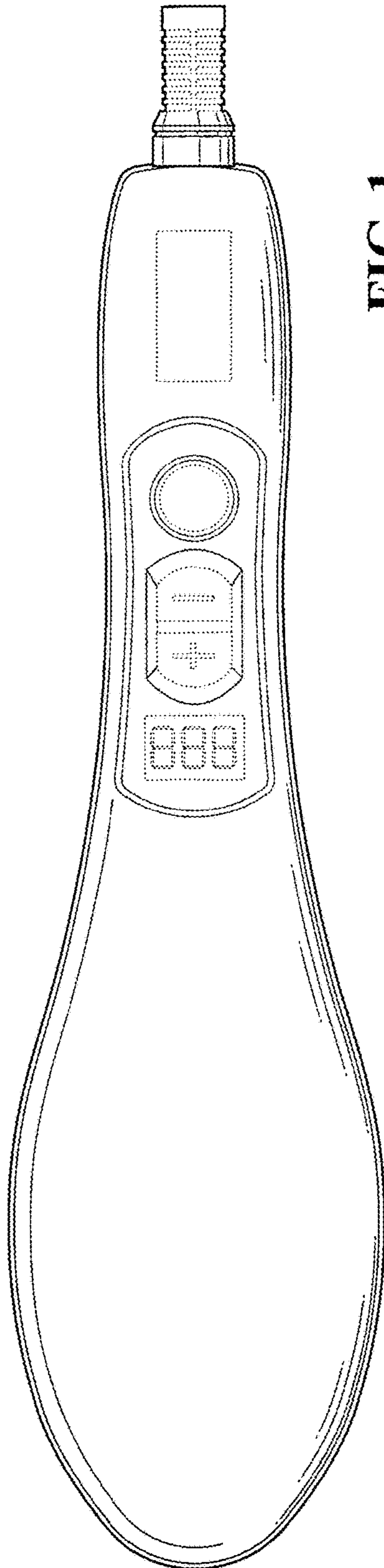
(56)

**References Cited**

U.S. PATENT DOCUMENTS

9,578,943 B2 *	2/2017	Guy-Rabi .....	A46B 9/06
D781,598 S *	3/2017	Treeby .....	D4/136
9,591,906 B2 *	3/2017	Guy-Rabi .....	A46B 9/06
2016/0227898 A1 *	8/2016	Wu .....	A45D 2/002

\* cited by examiner



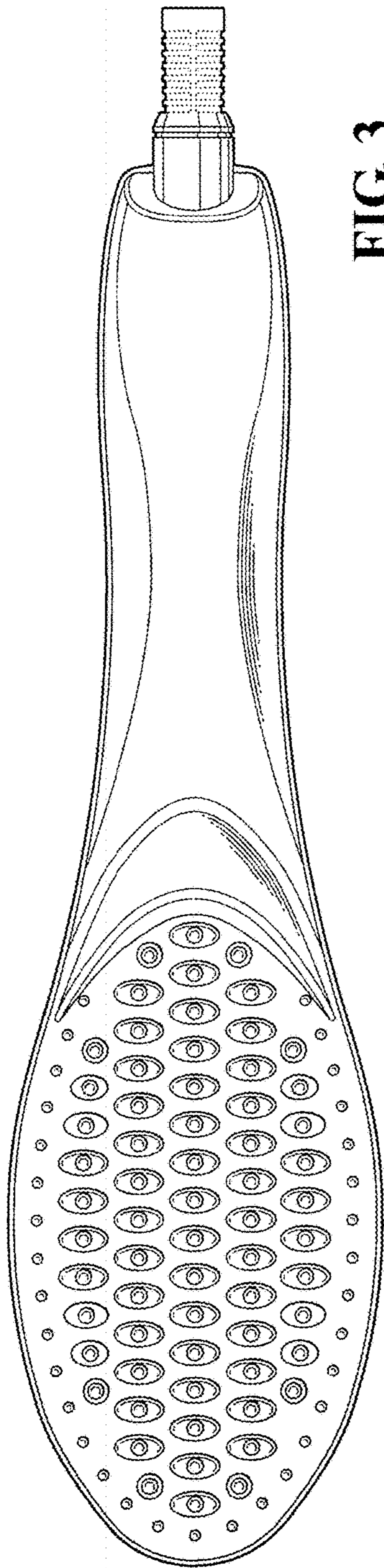


FIG. 3

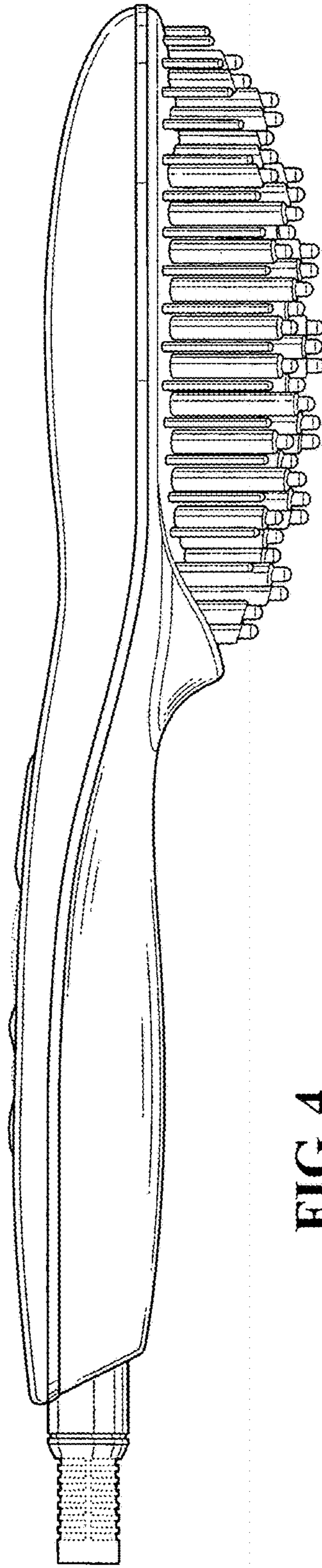


FIG. 4

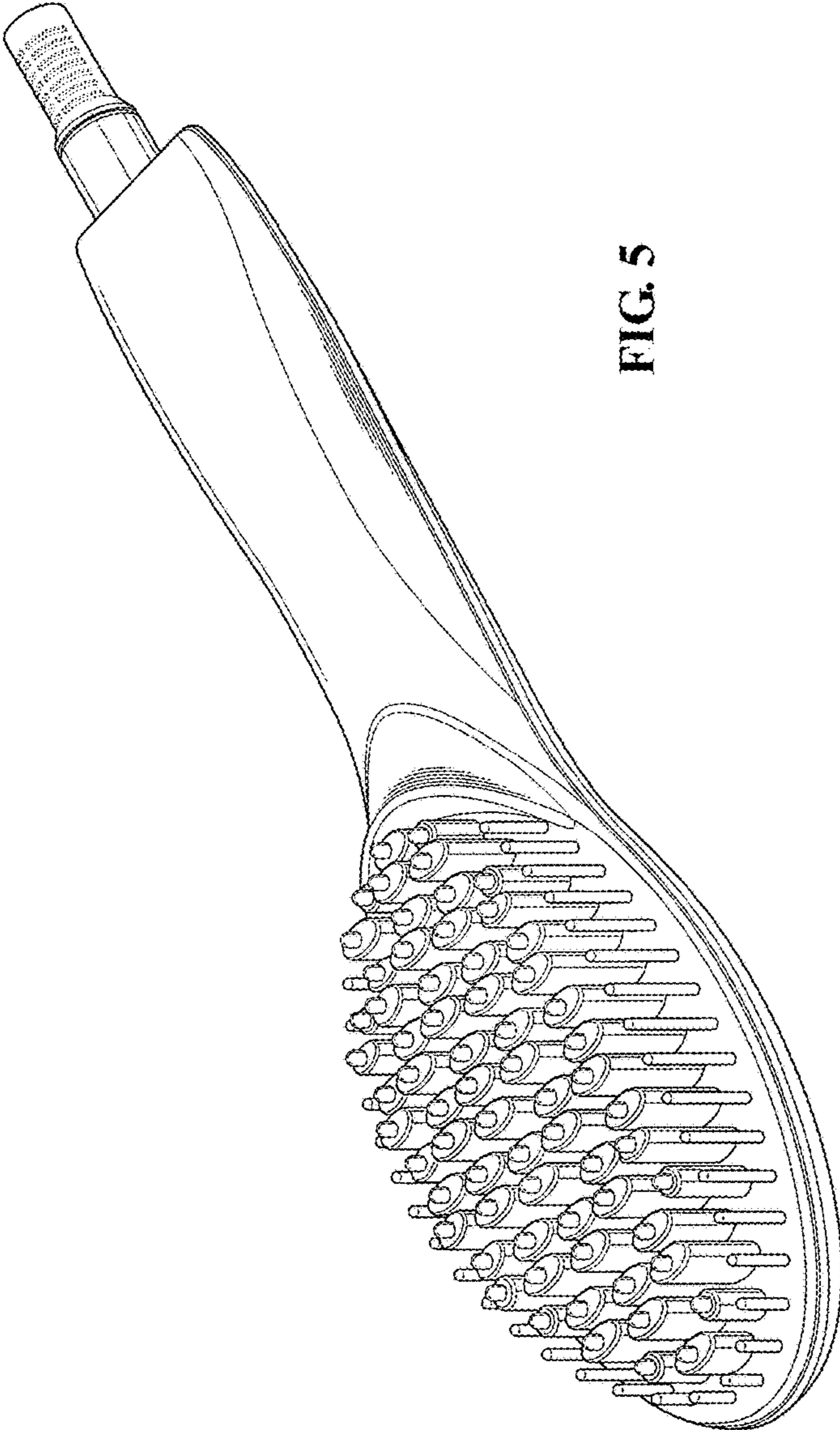


FIG. 5

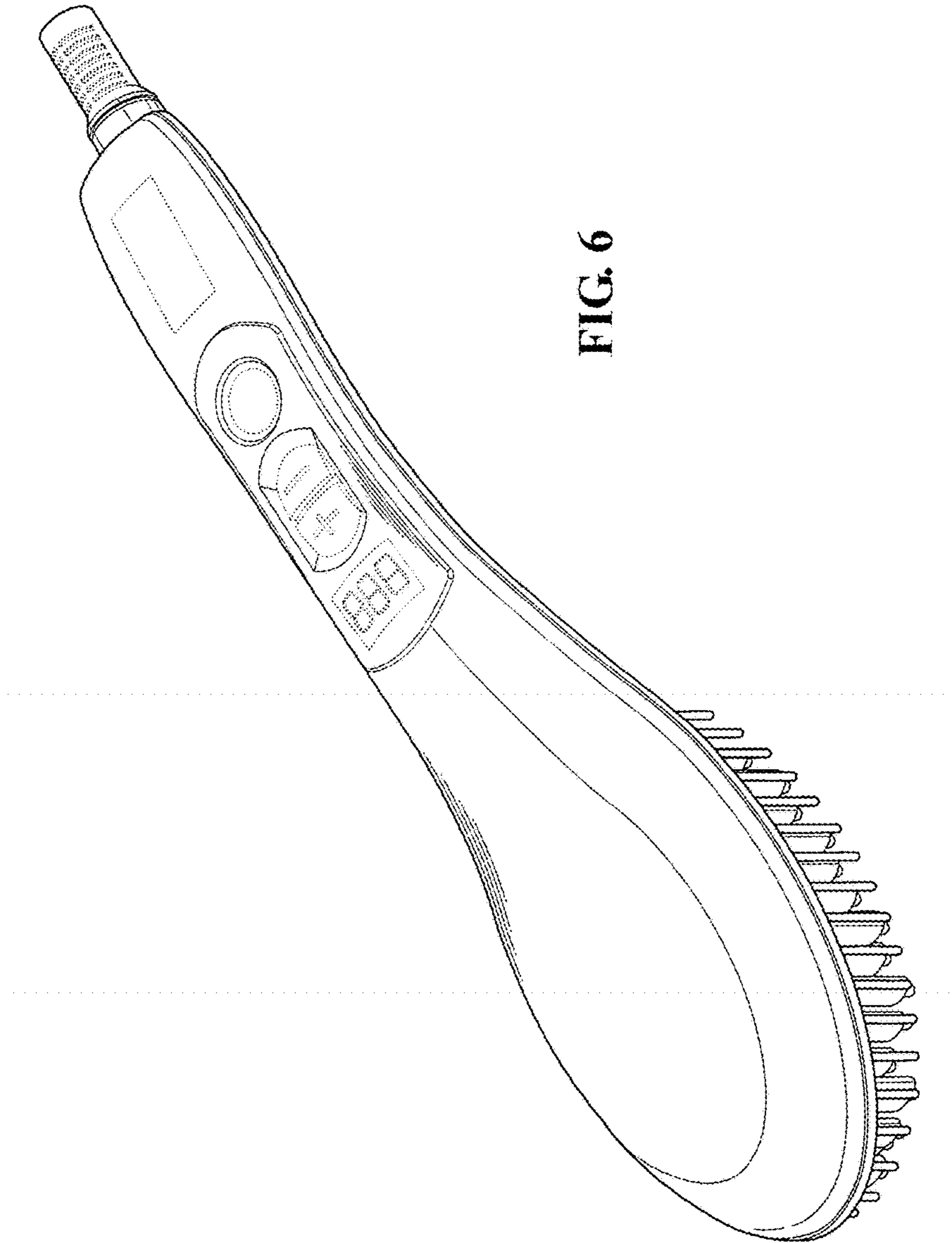


FIG. 6

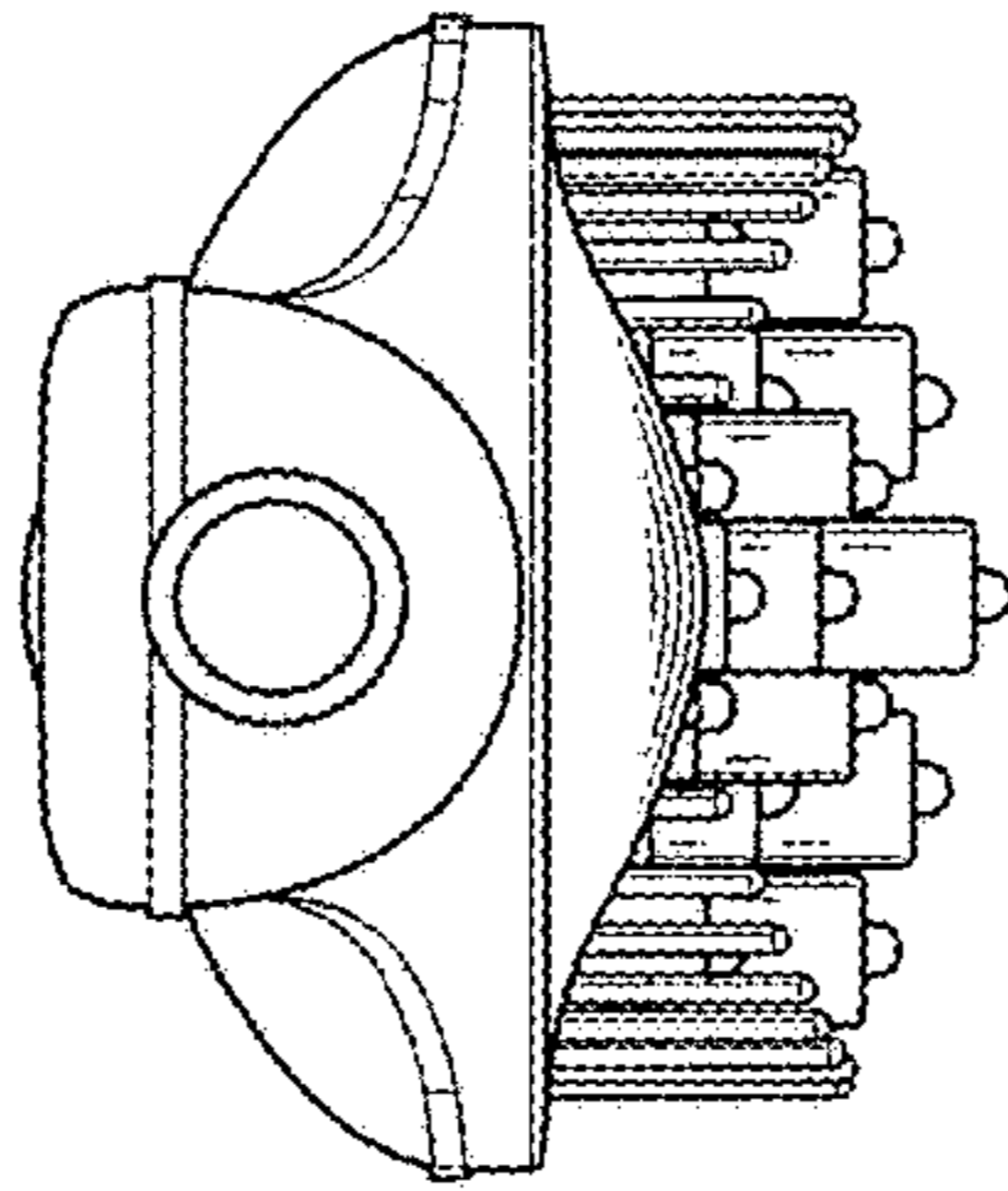


FIG. 8

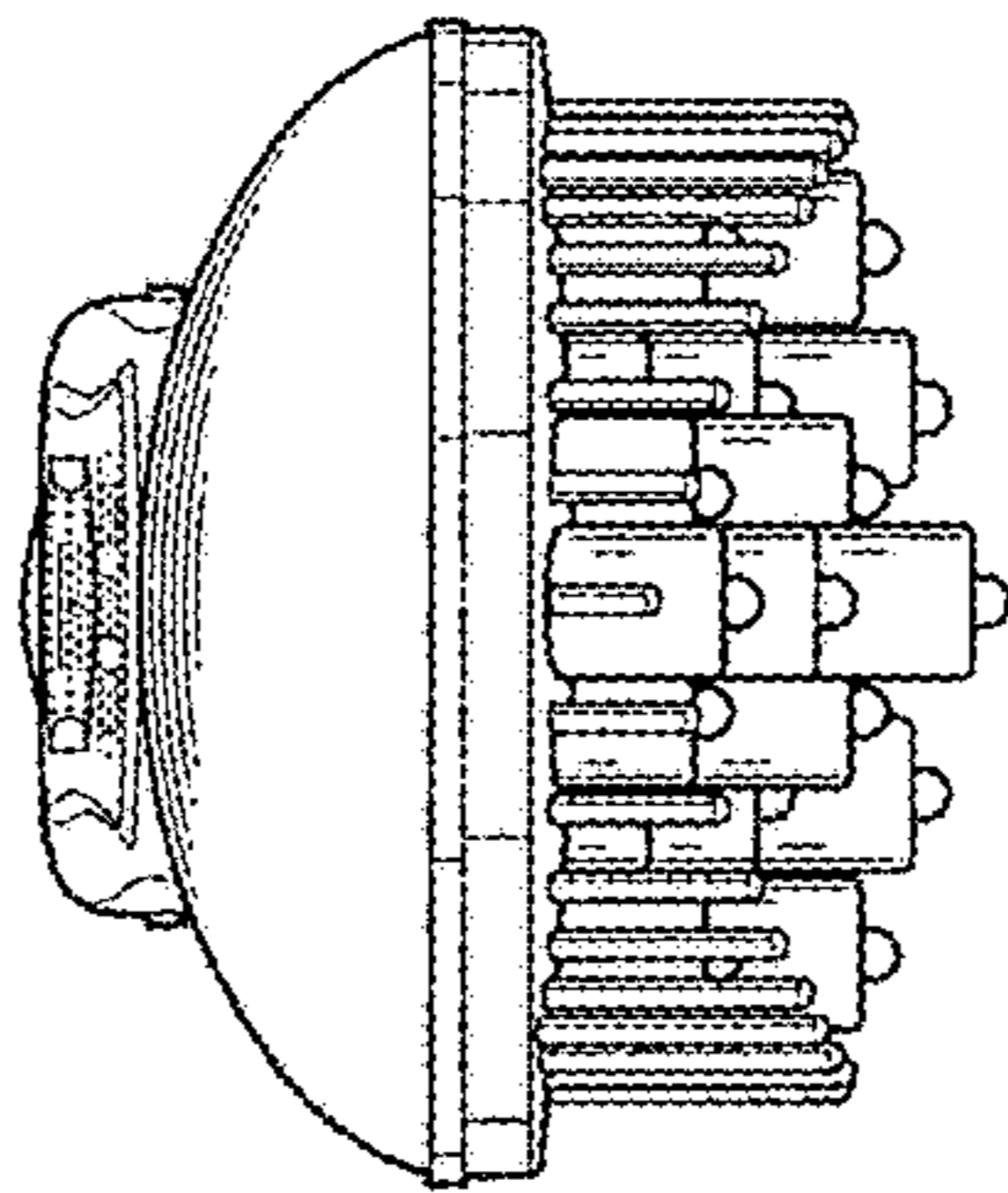


FIG. 7