



US00D795589S

(12) **United States Design Patent** (10) **Patent No.:** **US D795,589 S**
Jacob et al. (45) **Date of Patent:** **** Aug. 29, 2017**

(54) **SUITCASE**
(71) Applicant: **Matte-Veede, FZE**, Fujairah (AE)
(72) Inventors: **Jonathan Jacob**, Dubai (AE); **Arman Emami**, Berlin (DE)
(73) Assignee: **Matte-Veede, FZE**, Fujairah (AE)
(**) Term: **15 Years**
(21) Appl. No.: **29/550,279**
(22) Filed: **Dec. 31, 2015**
(51) **LOC (10) Cl.** **03-01**
(52) **U.S. Cl.**
USPC **D3/321; D3/318**
(58) **Field of Classification Search**
USPC D3/201, 204, 216, 272–275, 279, 280,
D3/282, 283, 284, 288, 289, 294, 309,
D3/315, 318, 321, 322, 323, 902; D5/1,
D5/2, 4, 47, 54, 58, 59, 62; D9/430–433;
D10/49, 50, 60, 103, 125, 132; D12/406,
D12/409, 410, 412, 413; D14/341, 443,
D14/448, 451; D24/185; D25/48.8, 141,
D25/152, 153; D34/25
CPC A45C 5/00; A45C 5/03; A45C 2005/032;
A45C 2005/035; A45C 2005/037
See application file for complete search history.

D625,724 S * 10/2010 Chen D14/374
D626,019 S * 10/2010 Kao D10/65
D626,550 S * 11/2010 Julien D14/341
D639,057 S * 6/2011 Presman D3/279
D674,387 S * 1/2013 Avery D14/341
D703,667 S * 4/2014 Song D14/345
D708,331 S * 7/2014 Kim D24/158
D715,292 S * 10/2014 Ahn D14/341
D726,047 S * 4/2015 Laurino H04W 88/005
D10/78
D731,182 S * 6/2015 Yu D3/279
D734,288 S * 7/2015 Chu D14/138 G
D738,876 S * 9/2015 Hwang D14/341
D740,803 S * 10/2015 Yamazaki D14/341
D743,697 S * 11/2015 Tooze D3/279
D744,434 S * 12/2015 Gassner D13/168
D749,435 S * 2/2016 Rodgers D10/101
D768,515 S * 10/2016 Weiss D10/49
2013/0279090 A1 * 10/2013 Brandt H05K 7/00
361/679.01

* cited by examiner

Primary Examiner — Susan E Krakower
Assistant Examiner — Lisa A Grabenstetter
(74) *Attorney, Agent, or Firm* — Banner & Witcoff, Ltd.

(57) **CLAIM**

The ornamental design for a suitcase, as shown and described.

DESCRIPTION

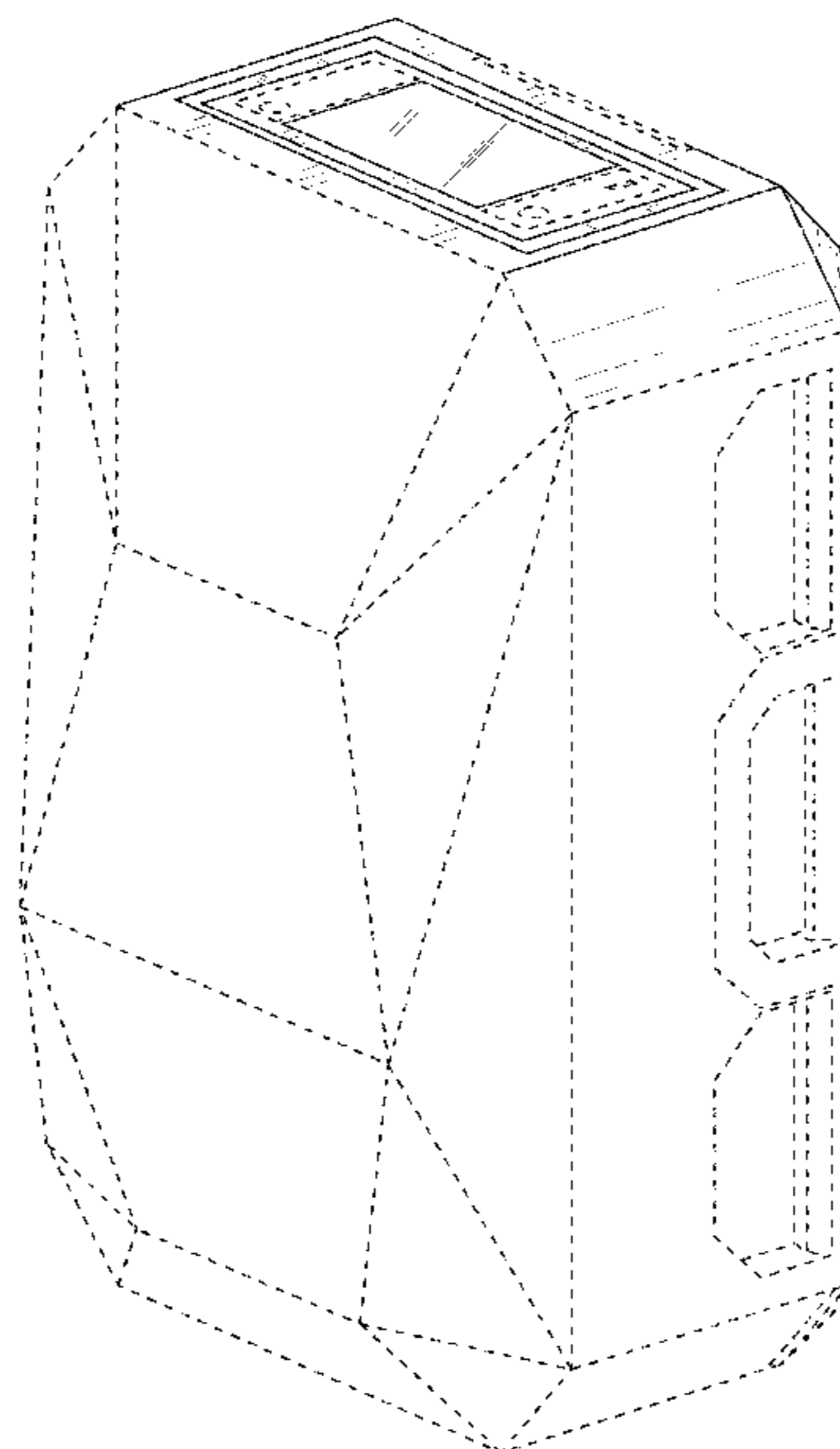
FIG. 1 is a perspective front right view of a suitcase showing our new design;
FIG. 2 is a perspective rear left view thereof;
FIG. 3 is a right side view thereof;
FIG. 4 is a left side view thereof; and,
FIG. 5 is a top view thereof.
The broken lines show a portion of the suitcase which form no part of the claimed design.

1 Claim, 5 Drawing Sheets

(56) **References Cited**

U.S. PATENT DOCUMENTS

D348,055 S * 6/1994 Basco D14/450
D371,387 S * 7/1996 Woock D14/341
D425,301 S * 5/2000 Sagol D3/276
D514,558 S * 2/2006 Nagel D14/341
D595,289 S * 6/2009 Horace Luke D14/341
D600,689 S * 9/2009 Jen D14/300
D610,475 S * 2/2010 Beers D10/50



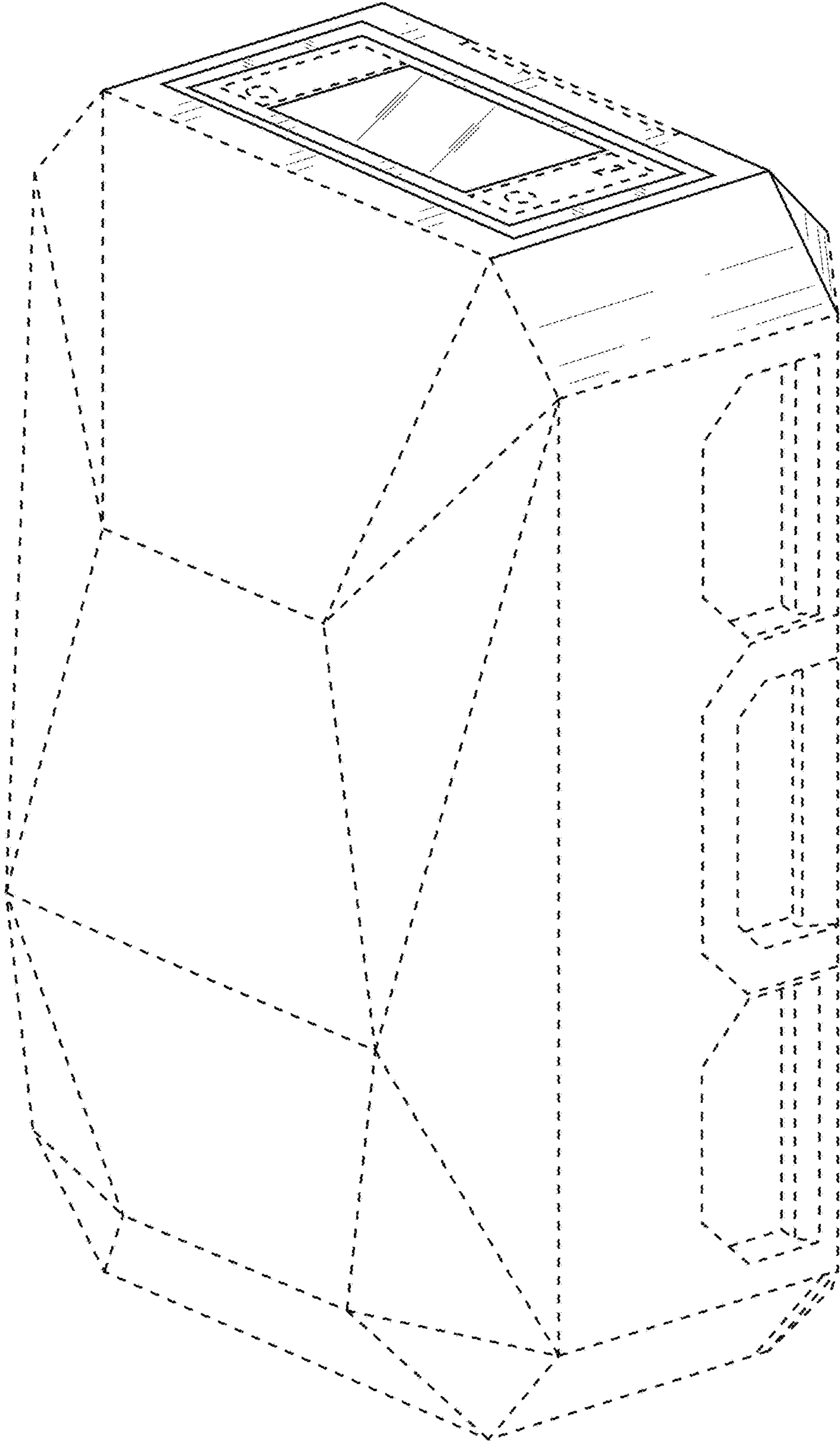


FIG. 1

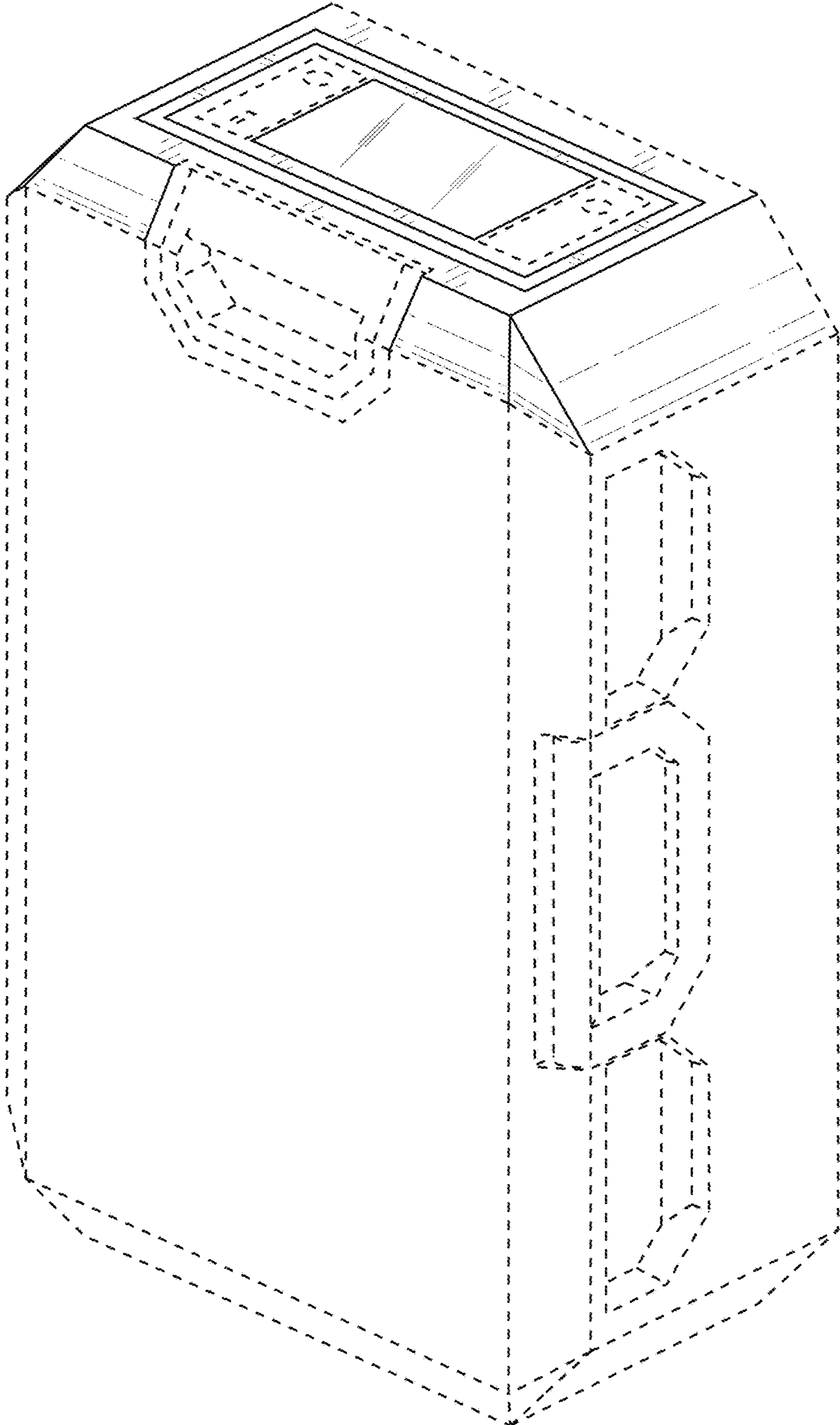


FIG. 2

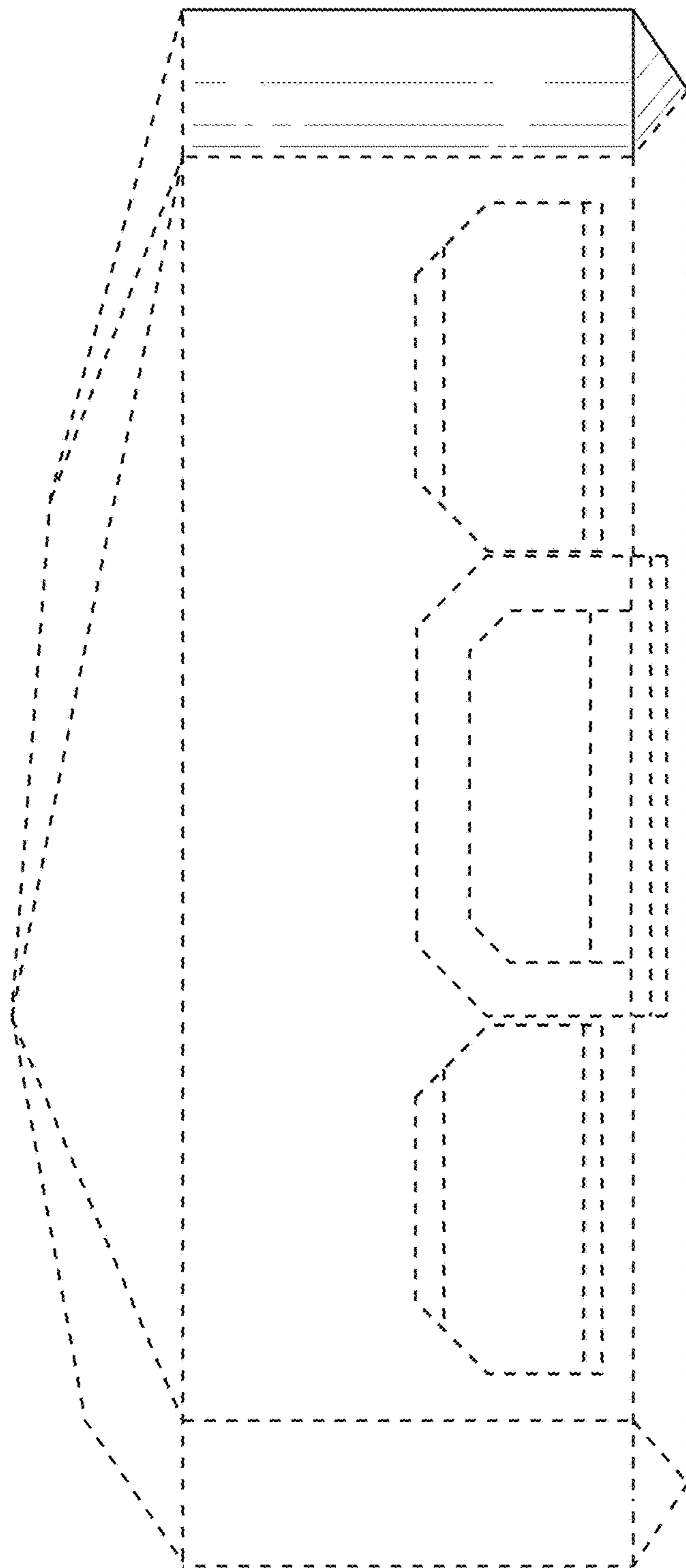


FIG. 3

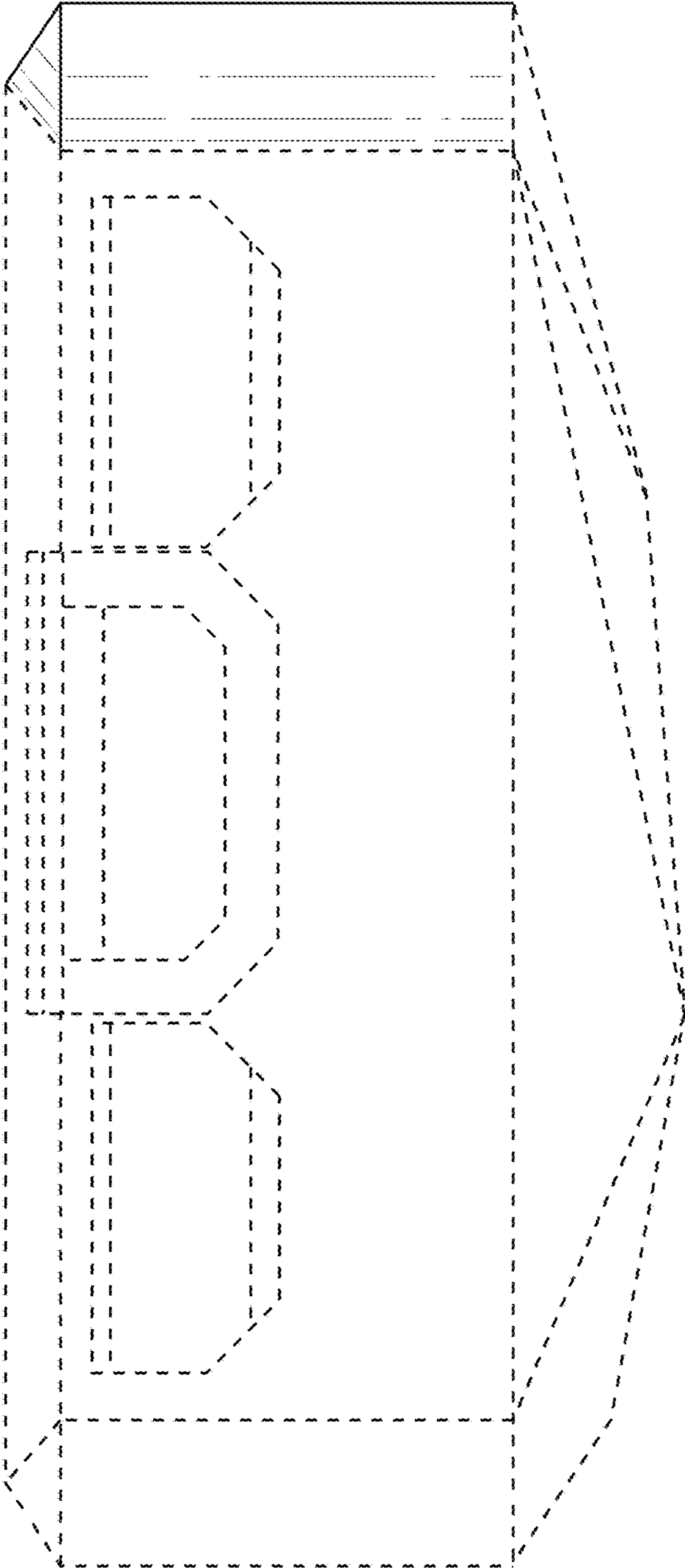


FIG. 4

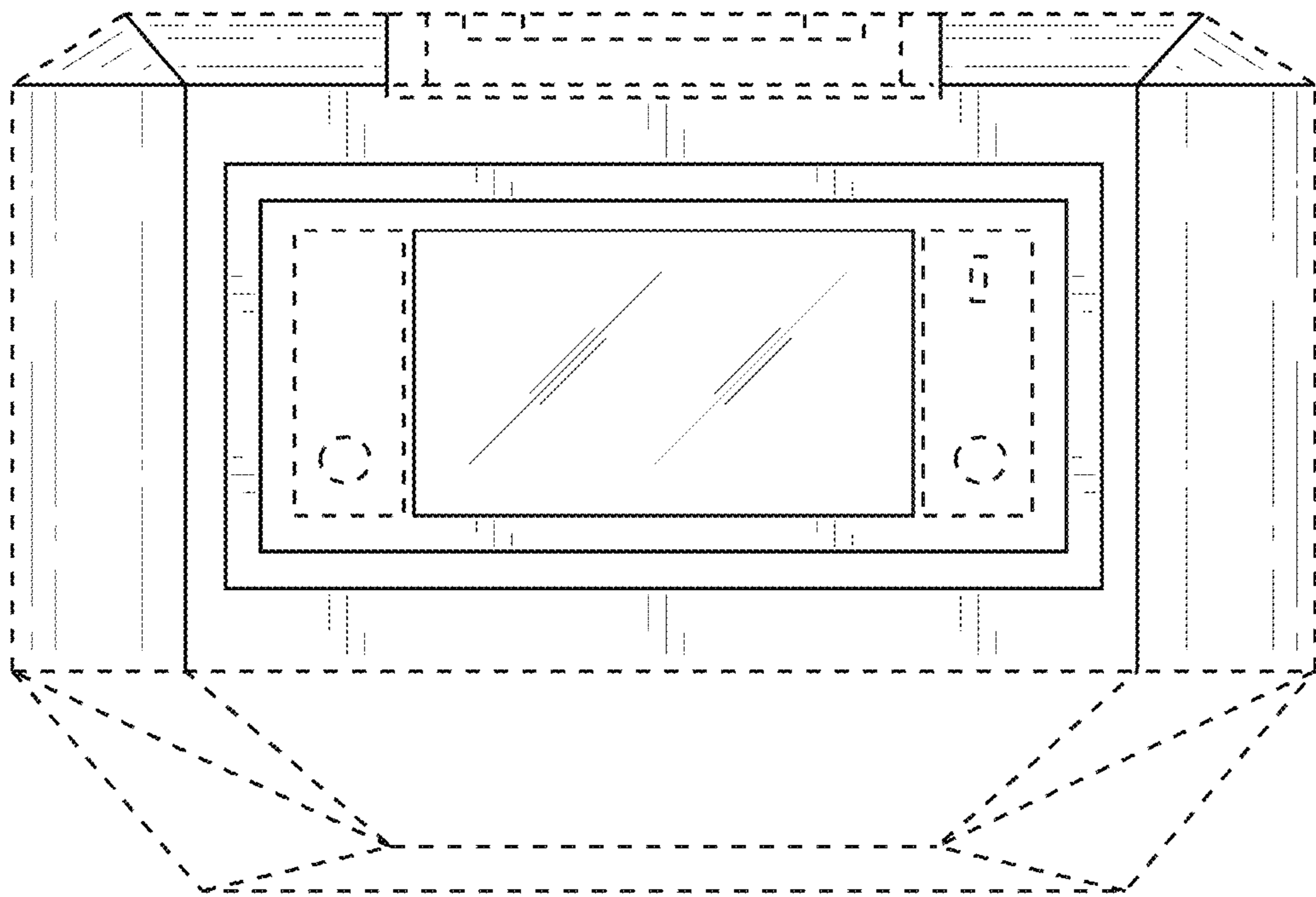


FIG. 5