



US00D795587S

(12) **United States Design Patent**
Jacob et al.

(10) **Patent No.:** **US D795,587 S**

(45) **Date of Patent:** **** Aug. 29, 2017**

(54) **SUITCASE**

(71) Applicant: **Matte-Veede, FZE**, Fujairah (AE)

(72) Inventors: **Jonathan Jacob**, Dubai (AE); **Arman Emami**, Berlin (DE)

(73) Assignee: **Matte-Veede, FZE**, Fujairah (AE)

(**) Term: **15 Years**

(21) Appl. No.: **29/550,283**

(22) Filed: **Dec. 31, 2015**

(51) **LOC (10) Cl.** **03-01**

(52) **U.S. Cl.**
USPC **D3/318; D3/321**

(58) **Field of Classification Search**
USPC D3/201, 204, 216, 272-275, 279, 280,
D3/282, 283, 284, 288, 289, 294, 309,
D3/315, 318, 321, 322, 323, 902; D5/1,
D5/2, 4, 47, 54, 58, 59, 62; D9/430-433;
D10/49, 50, 60, 103, 125, 132; D12/406,
D12/409, 410, 412, 413; D14/341, 443,
D14/448, 451; D24/185; D25/48.8, 141,
D25/152, 153; D34/25
CPC A45C 5/00; A45C 5/03; A45C 2005/032;
A45C 2005/035; A45C 2005/037
See application file for complete search history.

(56) **References Cited**

U.S. PATENT DOCUMENTS

D227,087 S *	6/1973	Spoo	D25/141
D425,301 S *	5/2000	Sagol	D3/276
D460,677 S *	7/2002	Proot	D8/301
D498,054 S *	11/2004	Moon	D3/318
D536,875 S *	2/2007	Fenton	D3/318
D639,057 S *	6/2011	Presman	D3/279
8,001,655 B2 *	8/2011	Wang	A45C 13/262
				16/113.1
D685,186 S *	7/2013	Massaud	D3/279

D696,019 S *	12/2013	Sener	D3/318
D731,182 S *	6/2015	Yu	D3/279
9,161,600 B1 *	10/2015	Liu	A45C 13/262
D743,697 S *	11/2015	Tooze	D3/279
D751,293 S *	3/2016	Recchia	D3/318
D751,819 S *	3/2016	Vecellio	D3/318
D751,820 S *	3/2016	Recchia	D3/318
D755,523 S *	5/2016	Szyf	D3/318
2006/0213029 A1 *	9/2006	Lu	A45C 13/262
				16/113.1
2007/0158159 A1 *	7/2007	Burgess	A45C 13/262
				190/115

(Continued)

Primary Examiner — Susan E Krakower

Assistant Examiner — Lisa A Grabenstetter

(74) *Attorney, Agent, or Firm* — Banner & Witcoff, Ltd.

(57) **CLAIM**

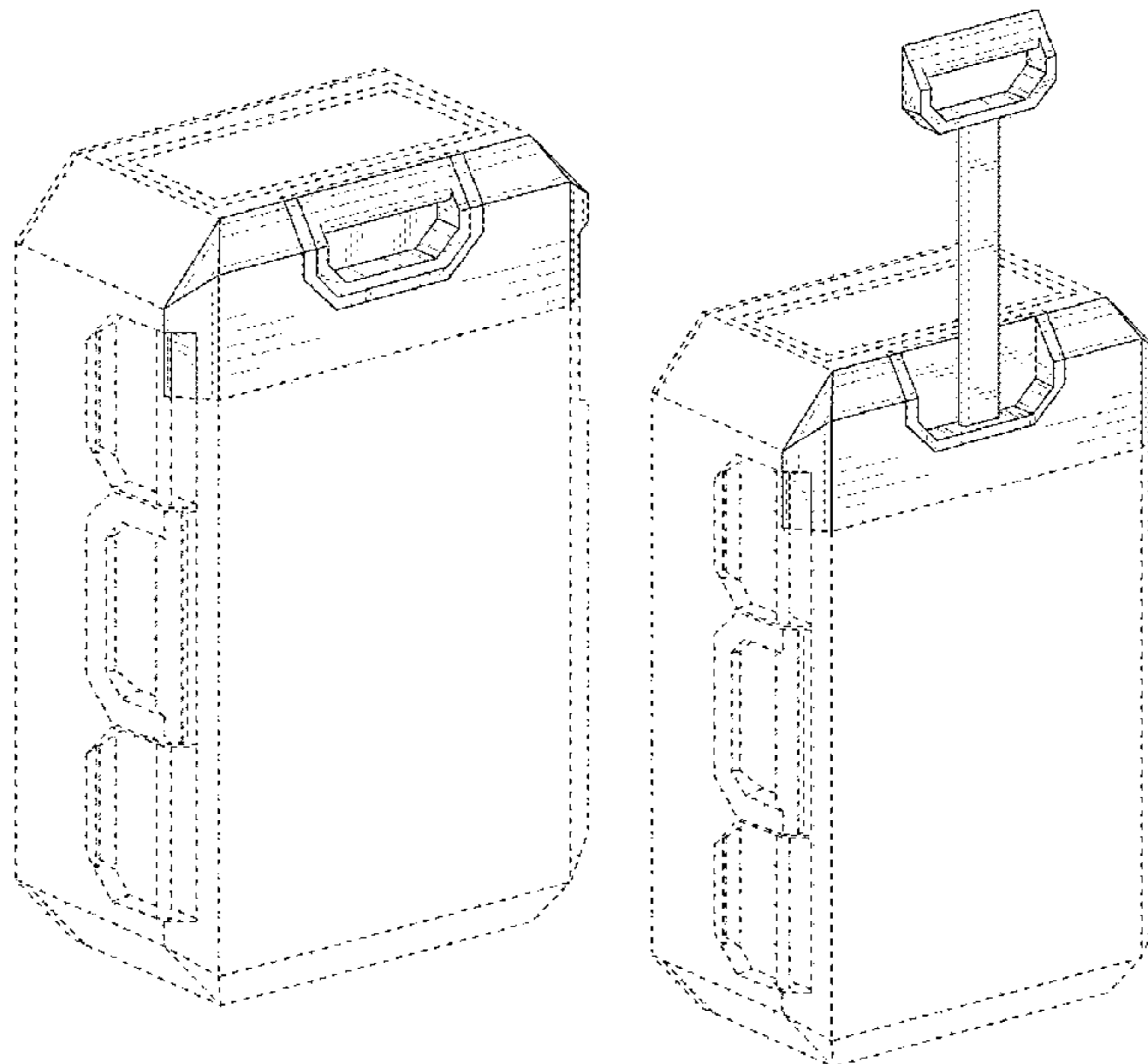
The ornamental design for a suitcase, as shown and described.

DESCRIPTION

FIG. 1 is a perspective rear view of a suitcase showing our new design in a first in-use position;
FIG. 2 is a rear view thereof;
FIG. 3 is a left side view thereof;
FIG. 4 is a right side view thereof;
FIG. 5 is a top view thereof;
FIG. 6 is a perspective rear view of the suitcase of FIG. 1 showing our new design in a second in-use position;
FIG. 7 is a rear view thereof;
FIG. 8 is a front view thereof;
FIG. 9 is a right side view thereof;
FIG. 10 is a left side view thereof;
FIG. 11 is a top plan view thereof; and,
FIG. 12 is bottom view of the suitcase shown FIGS. 1-11 thereof.

The broken lines show a portion of the suitcase which form no part of the claimed design.

1 Claim, 12 Drawing Sheets



(56)

References Cited

U.S. PATENT DOCUMENTS

2007/0266527 A1* 11/2007 Chen A45B 9/02
16/431
2009/0107788 A1* 4/2009 Lin A45C 13/262
190/115
2016/0135563 A1* 5/2016 Truong A45C 13/262
16/113.1

* cited by examiner

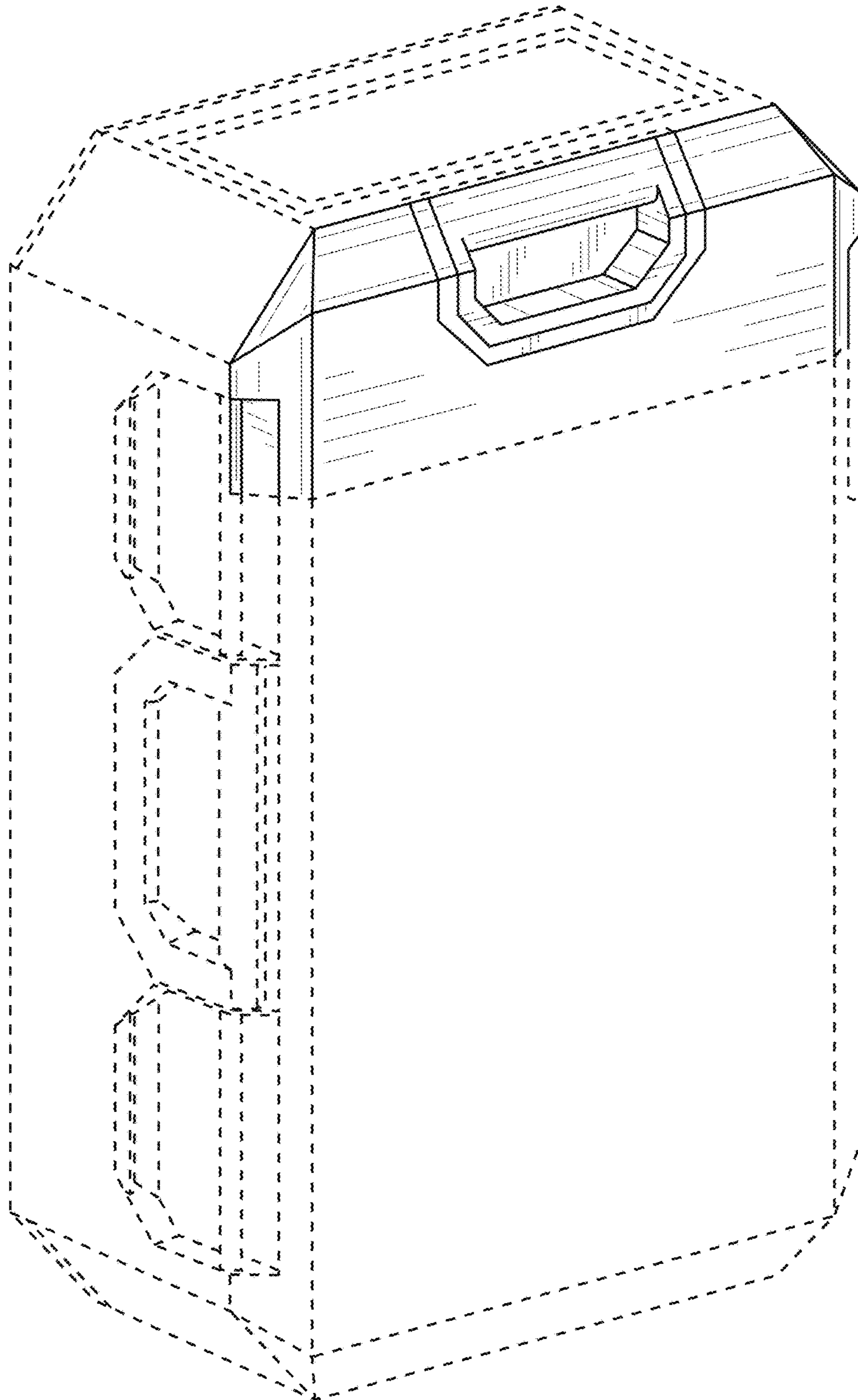


FIG. 1

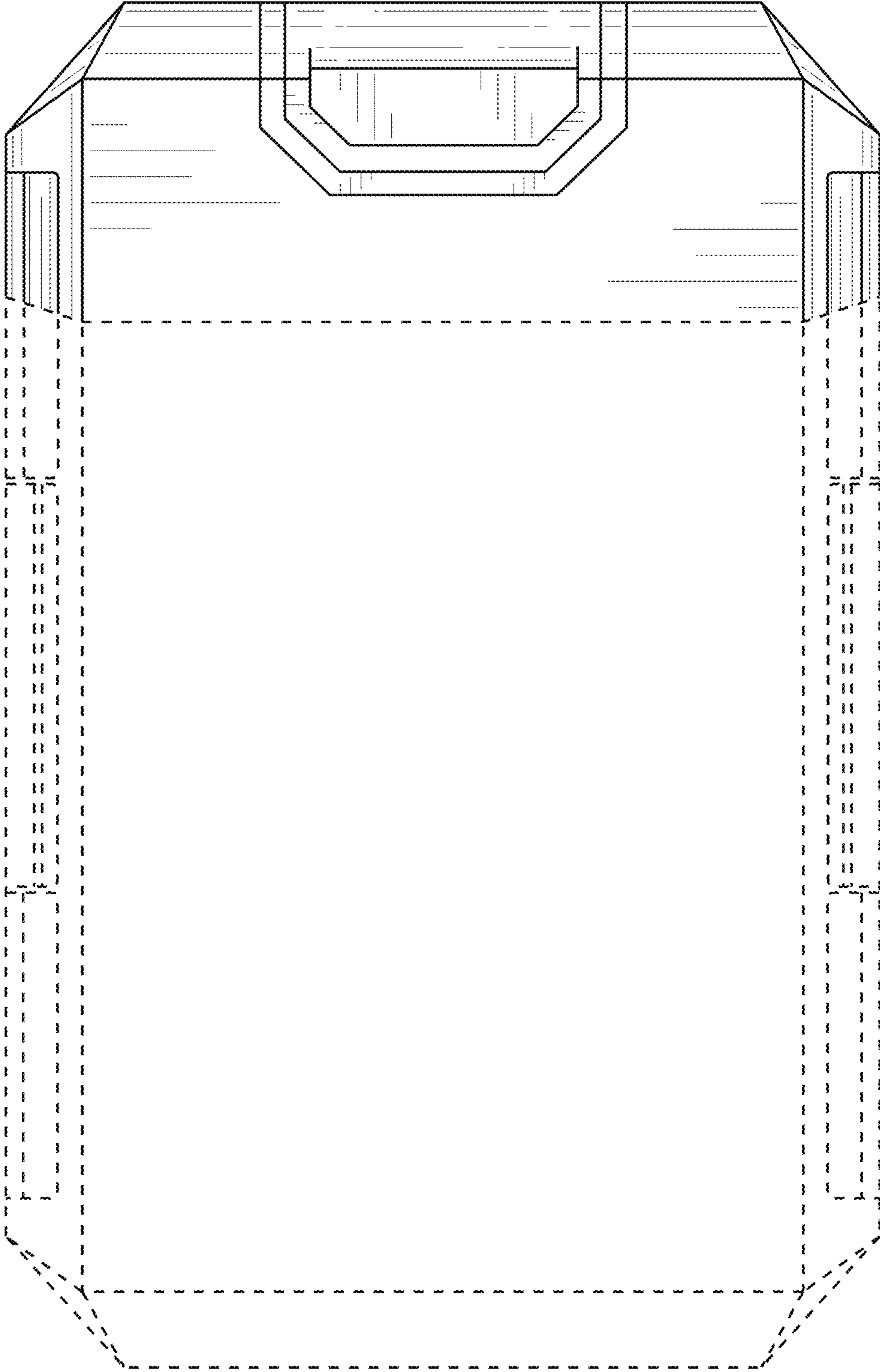


FIG. 2

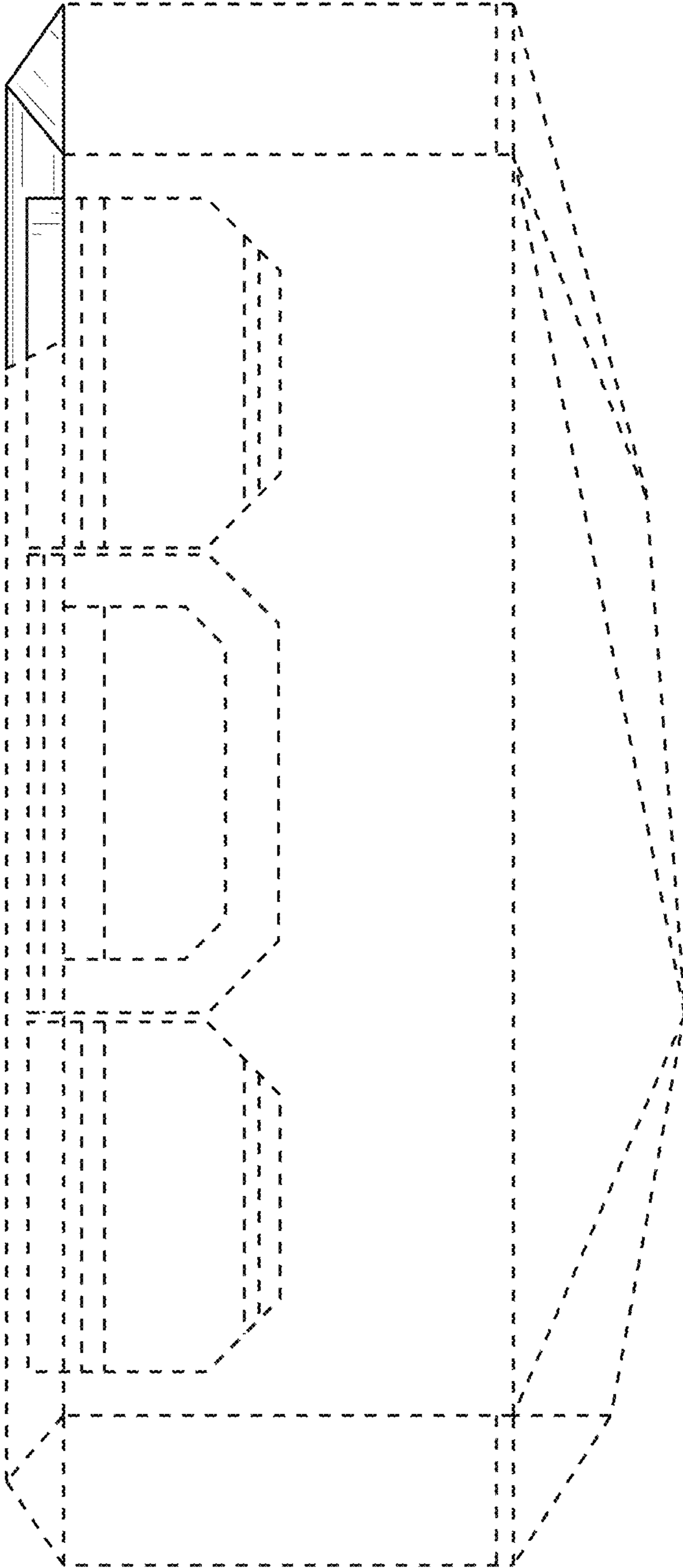


FIG. 3

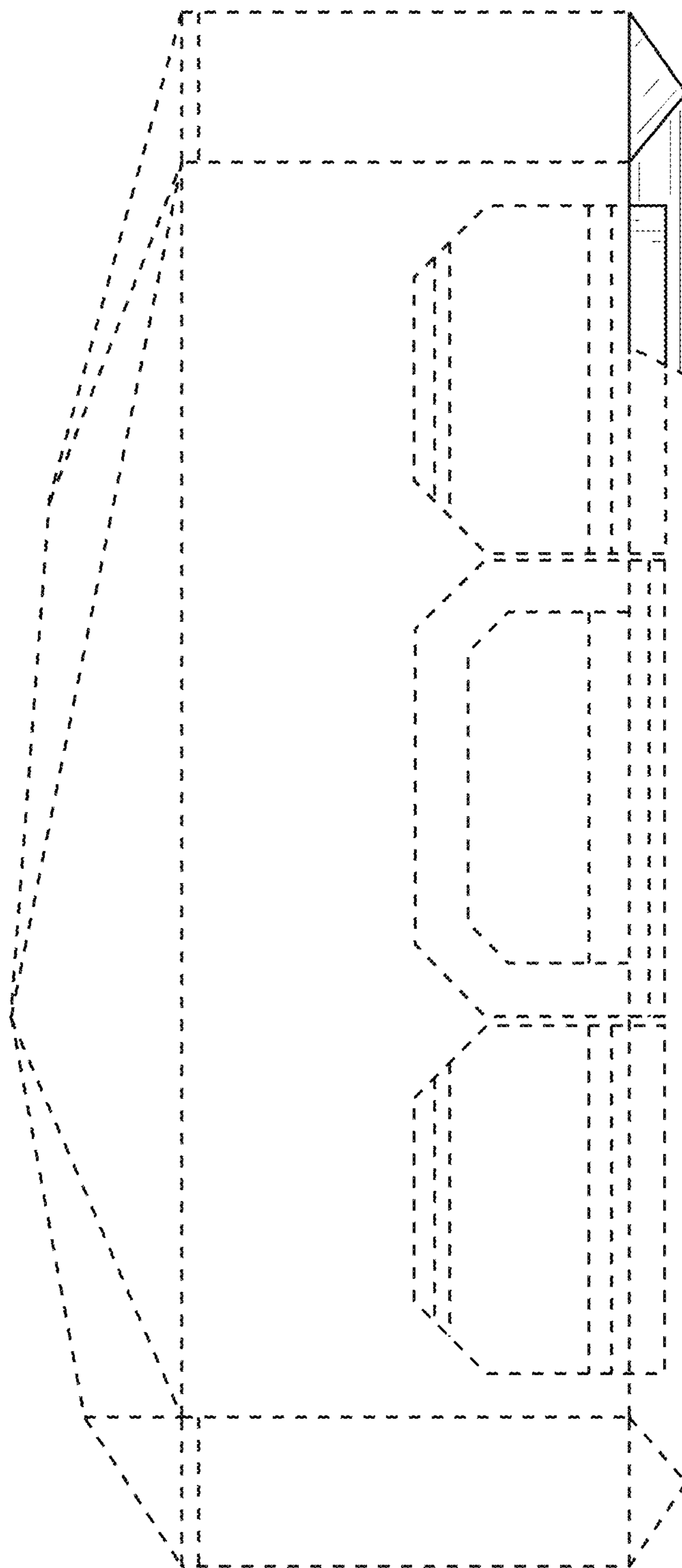


FIG. 4

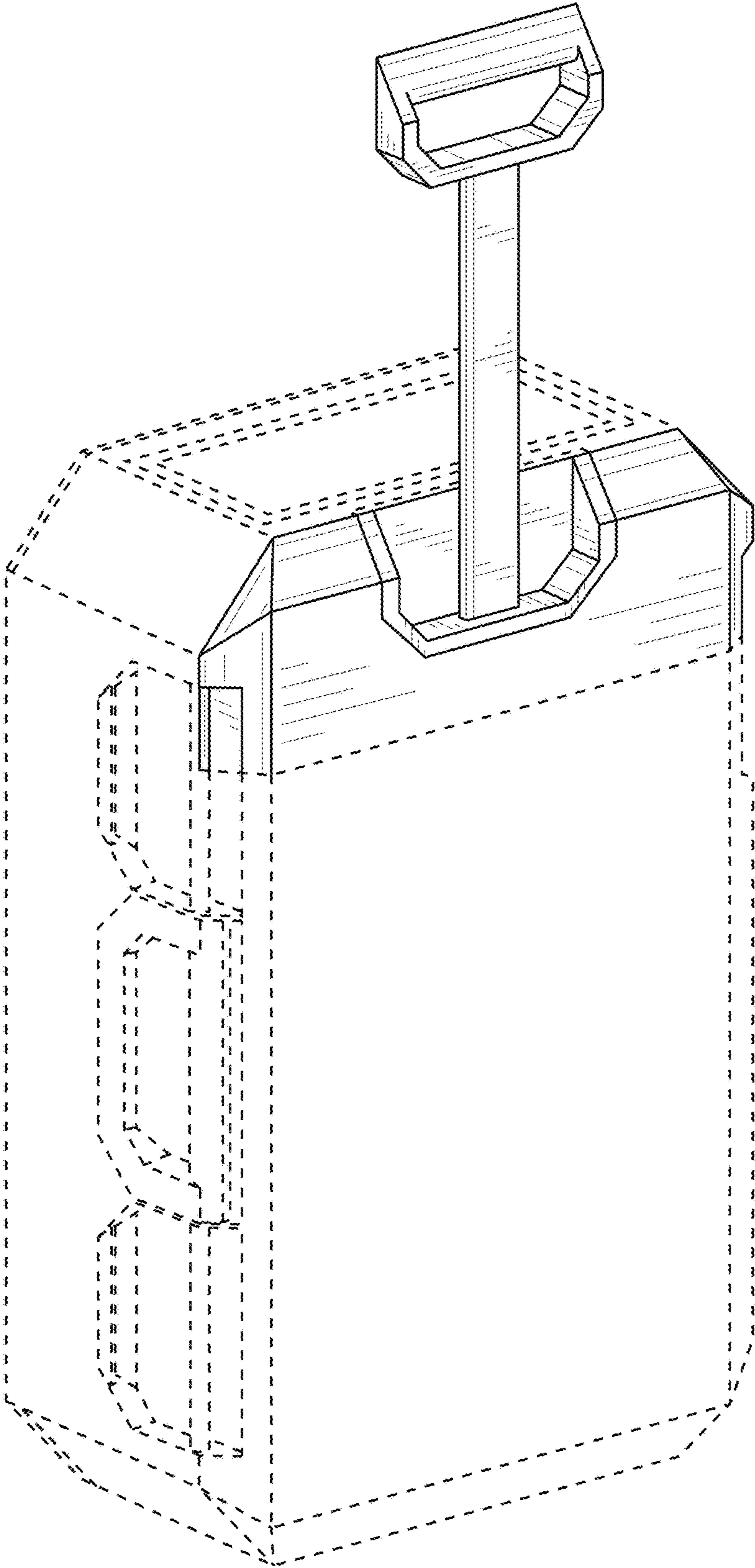


FIG. 5

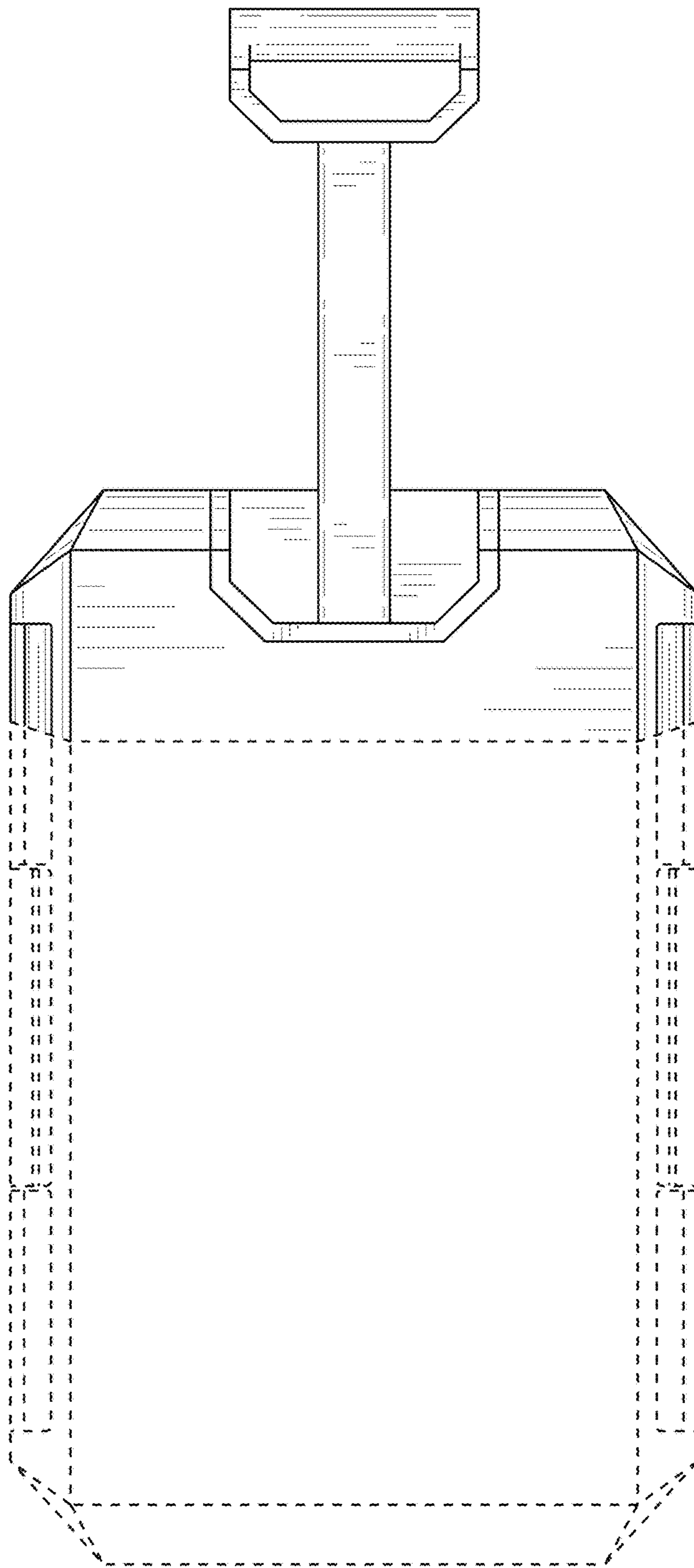


FIG. 6

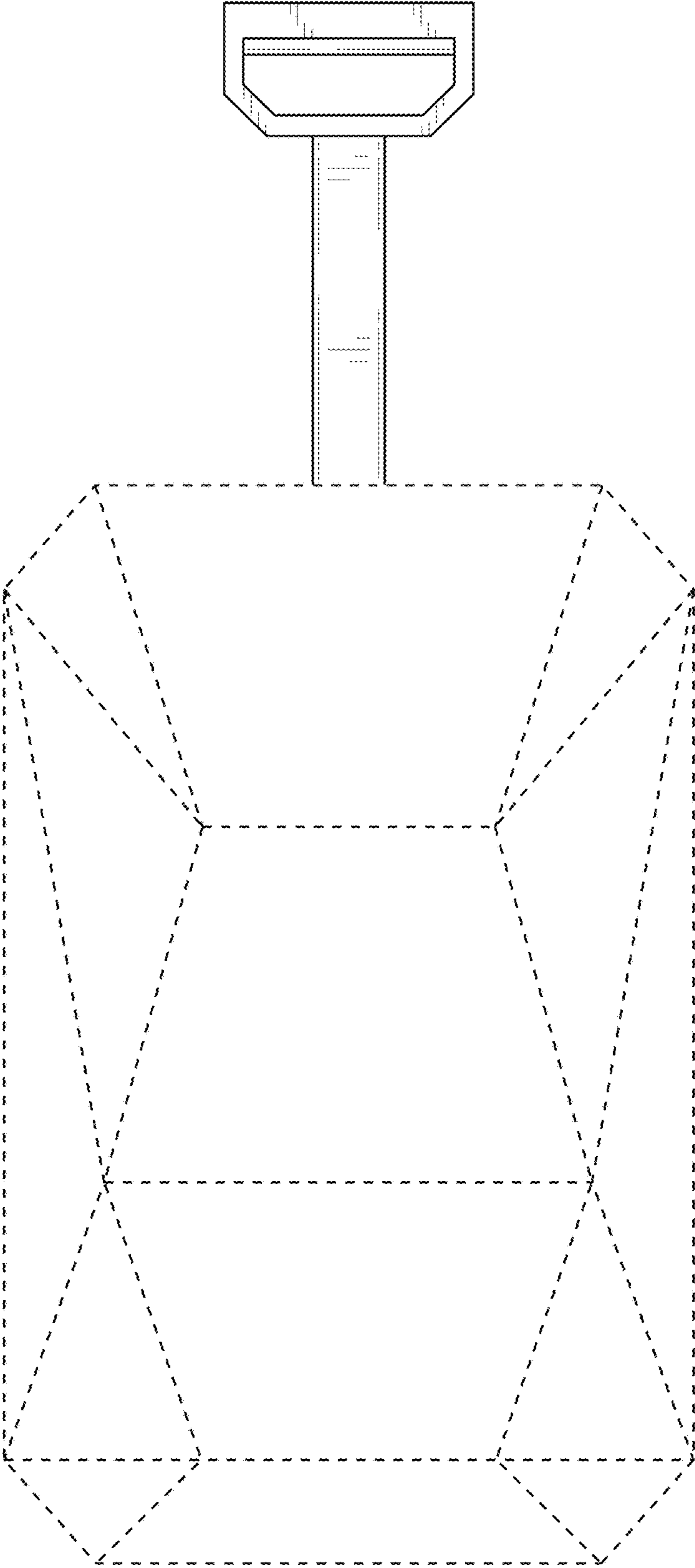


FIG. 7

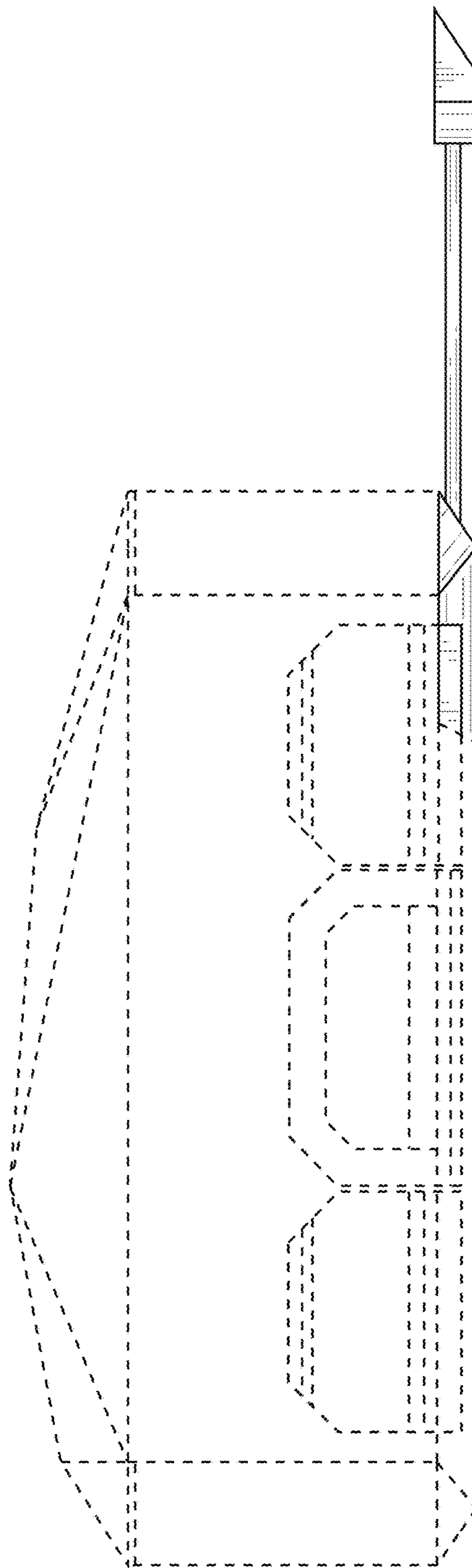


FIG. 8

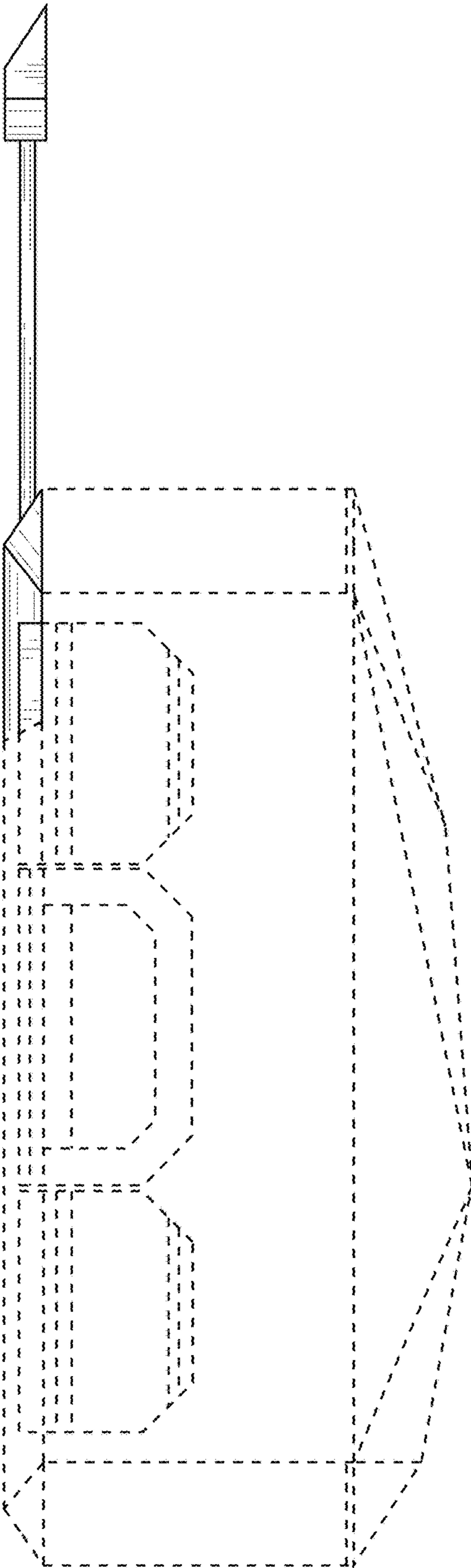


FIG. 9

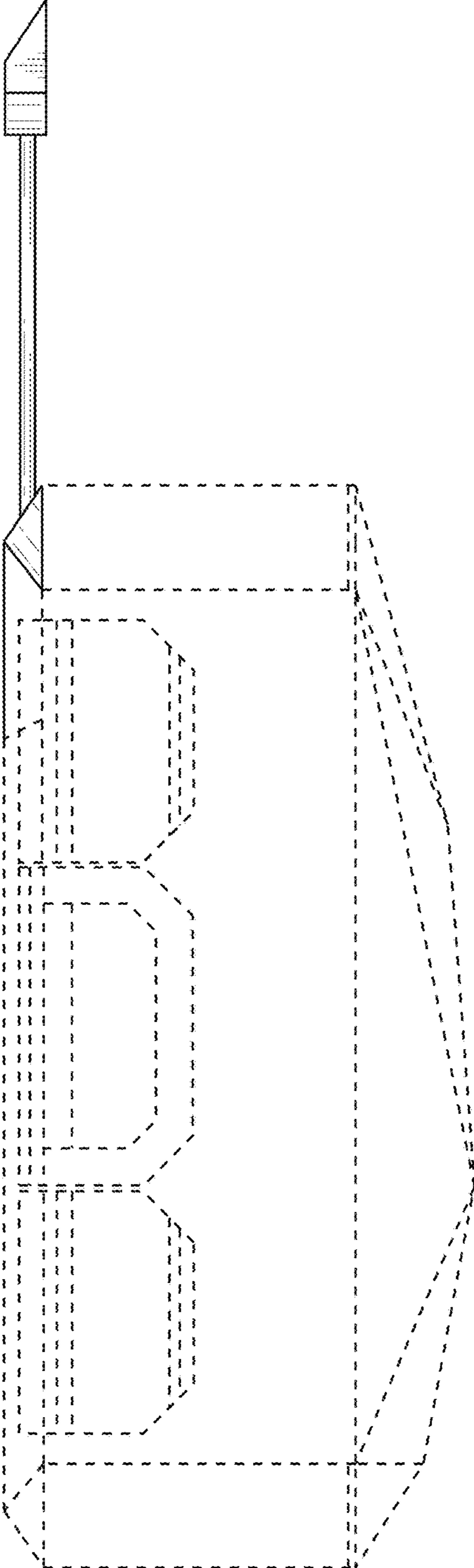


FIG. 10

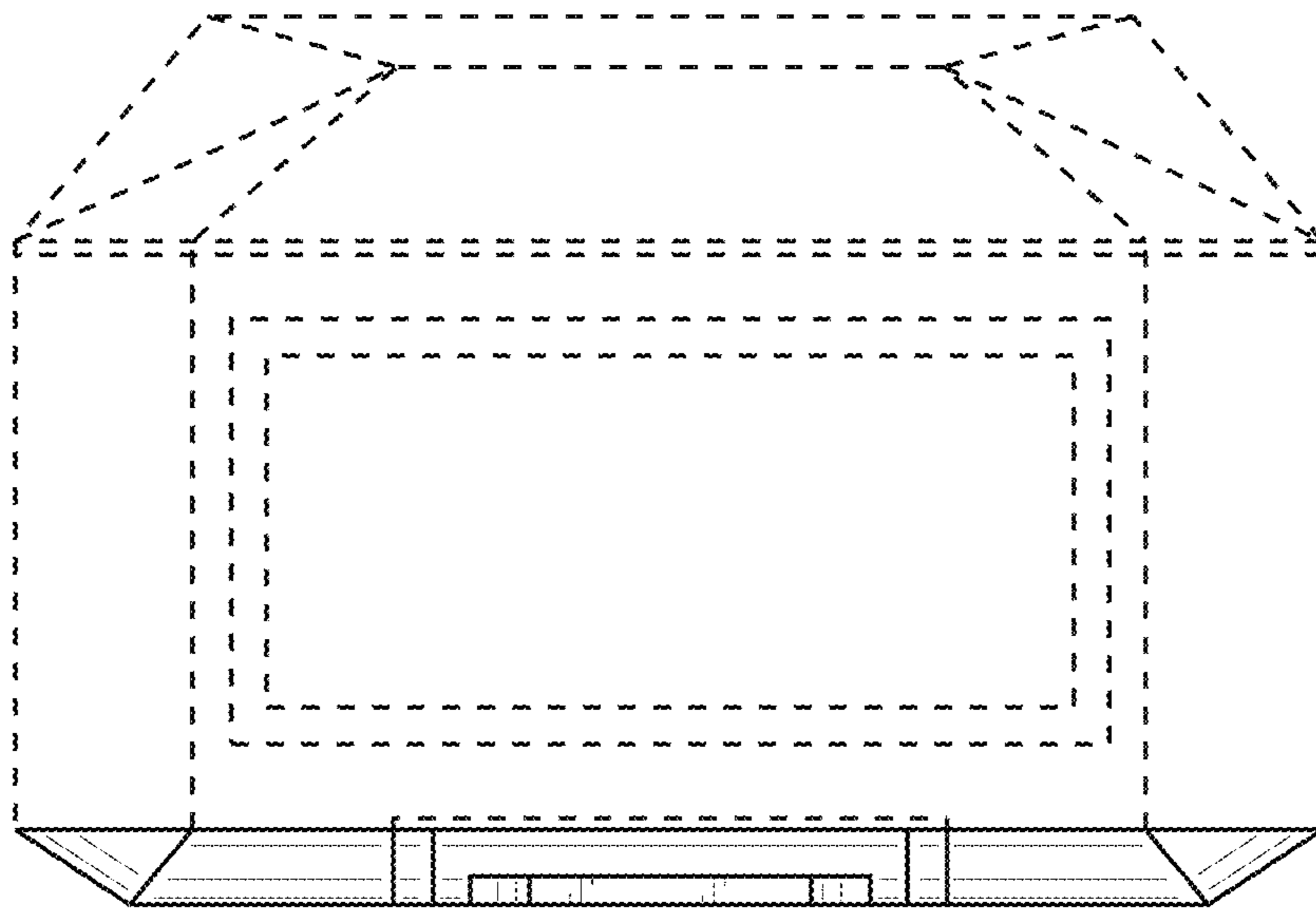


FIG. 11

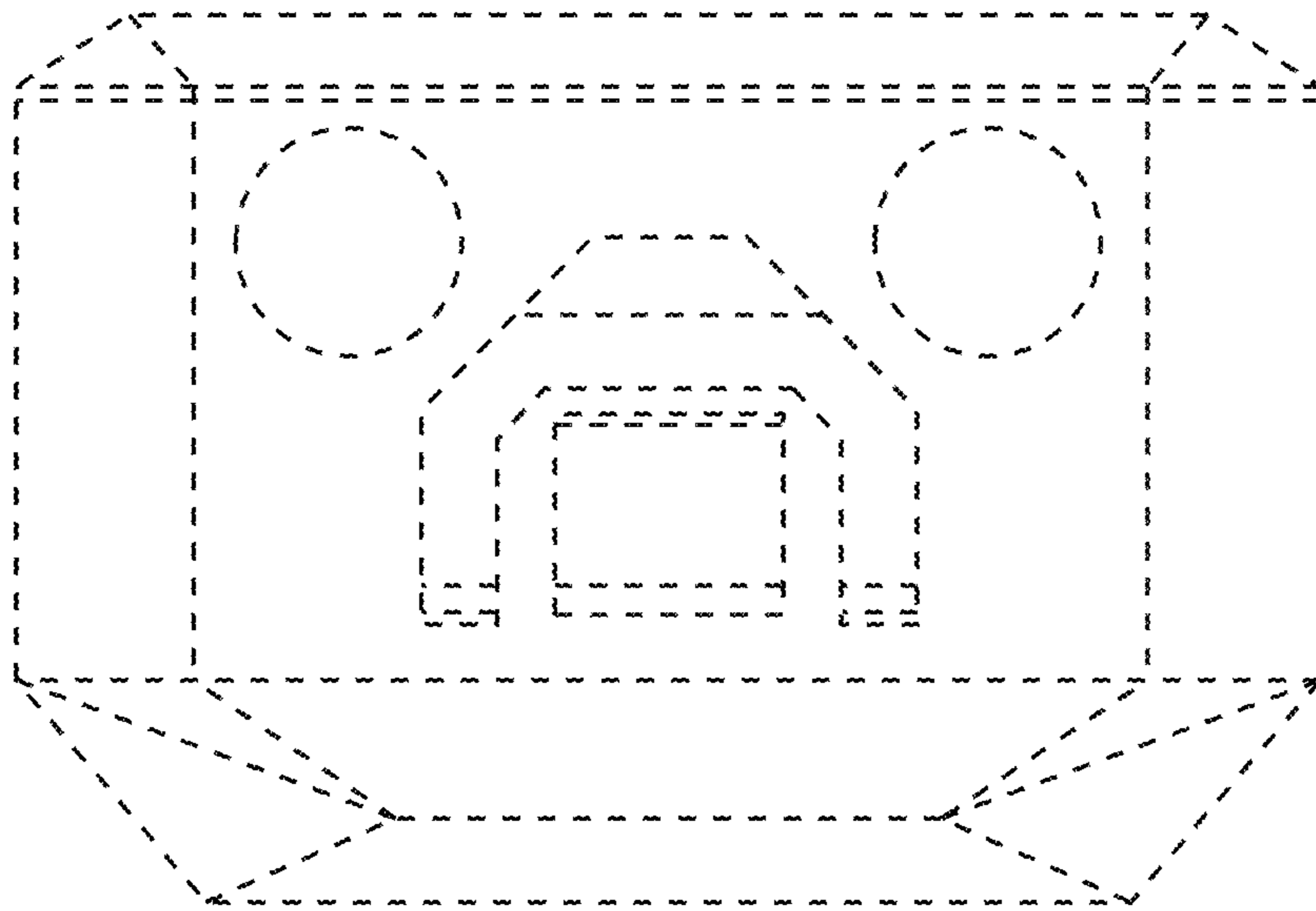


FIG. 12