



US00D795586S

(12) **United States Design Patent** (10) **Patent No.:** **US D795,586 S**
Jacob et al. (45) **Date of Patent:** **** Aug. 29, 2017**

(54) **HANDLE FOR A SUITCASE**

- (71) Applicant: **Matte-Veede, FZE**, Fujairah (AE)
- (72) Inventors: **Jonathan Jacob**, Dubai (AE); **Arman Emami**, Berlin (DE)
- (73) Assignee: **Matte-Veede, FZE**, Fujairah (AE)
- (**) Term: **15 Years**
- (21) Appl. No.: **29/550,281**
- (22) Filed: **Dec. 31, 2015**
- (51) **LOC (10) Cl.** **03-01**
- (52) **U.S. Cl.**
USPC **D3/318; D2/322**
- (58) **Field of Classification Search**
USPC D3/201, 204, 216, 272-275, 279, 280,
D3/282, 283, 284, 288, 289, 294, 309,
D3/315, 318, 321, 322, 323, 902; D5/1,
D5/2, 4, 47, 54, 58, 59, 62; D9/430-433;
D10/49, 50, 60, 103, 125, 132; D12/406,
D12/409, 410, 412, 413; D14/341, 443,
D14/448, 451; D24/185; D25/48.8, 141,
D25/152, 153; D34/25
CPC A45C 5/00; A45C 5/03; A45C 2005/032;
A45C 2005/035; A45C 2005/037
See application file for complete search history.

(56) **References Cited**

U.S. PATENT DOCUMENTS

D52,489 S *	9/1918	Palmer	D8/303
D94,232 S *	1/1935	Miller	D25/153
3,438,312 A *	4/1969	Becker	E01C 13/045
				404/19
D215,582 S *	10/1969	Bogan, Jr.	428/134
D327,577 S *	7/1992	Nijhoff	D5/44
D411,685 S *	6/1999	Thomas	D5/1
D457,328 S *	5/2002	McBride	D5/1

(Continued)

OTHER PUBLICATIONS

Cellscreen by Korban/Flaubert, posted at Retaildesignblog.net, posting date Jan. 14, 2012, [online], [site visited Dec. 12, 2016]. Available from Internet, <URL: http://retaildesignblog.net/2012/01/14/cellscreenbykorbanflaubert/>.*

(Continued)

Primary Examiner — Susan E Krakower
Assistant Examiner — Lisa A Grabenstetter

(74) *Attorney, Agent, or Firm* — Banner & Witcoff, Ltd.

(57) **CLAIM**

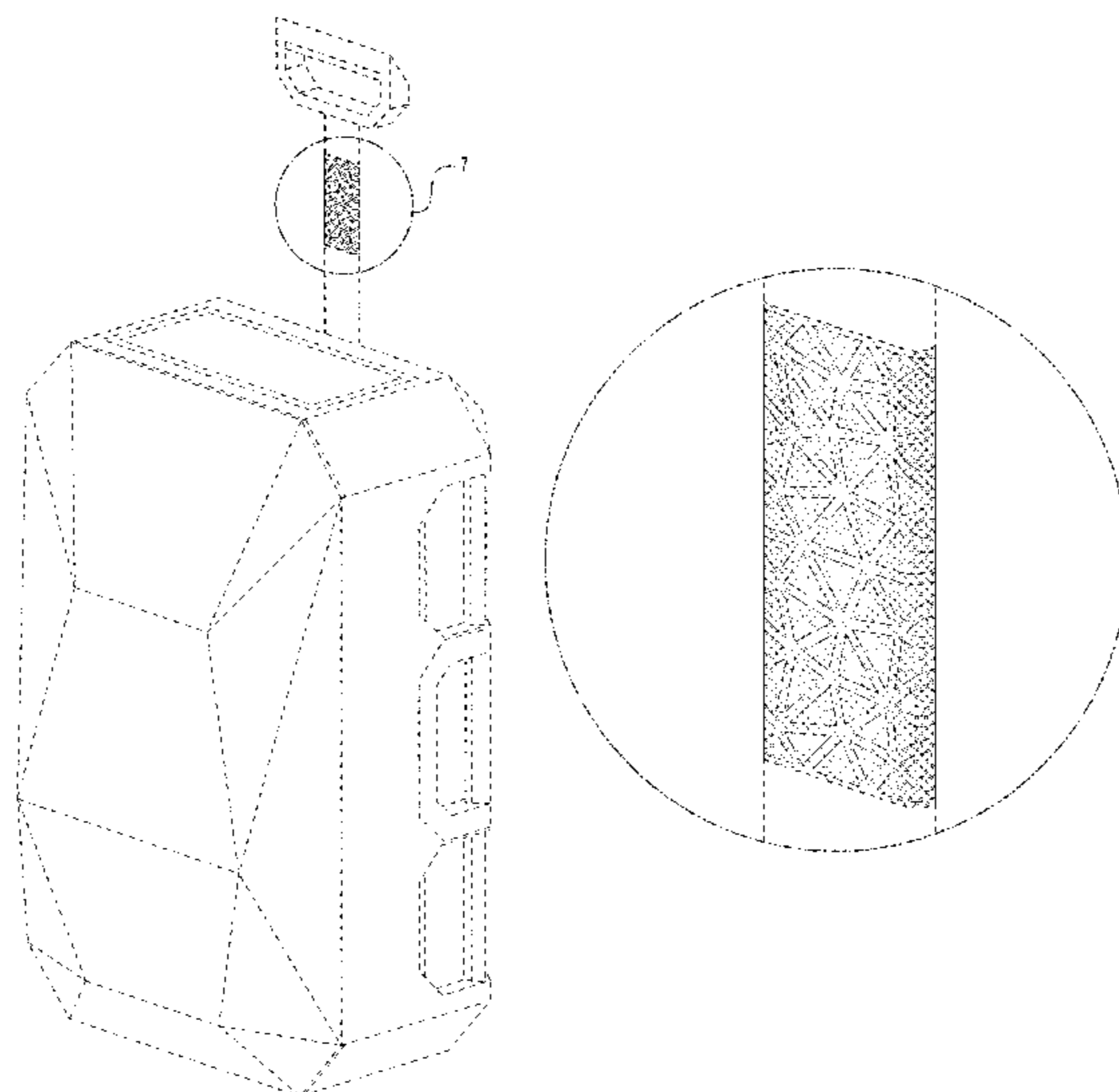
The ornamental design for a handle for a suitcase, as shown and described.

DESCRIPTION

FIG. 1 is a perspective view of a handle for a suitcase showing our new design;
 FIG. 2 is a perspective rear view thereof;
 FIG. 3 is a front view thereof;
 FIG. 4 is a rear view thereof;
 FIG. 5 is a right side view thereof;
 FIG. 6 is a left side view thereof;
 FIG. 7 is an enlarged view of the shaded region shown in FIG. 1 thereof;
 FIG. 8 is an enlarged view of the shaded region shown in FIG. 2 thereof;
 FIG. 9 is an enlarged view of the shaded region shown in FIG. 3 thereof;
 FIG. 10 is an enlarged view of the shaded region shown in FIG. 4 thereof;
 FIG. 11 is an enlarged view of the shaded region shown in FIG. 5 thereof; and,
 FIG. 12 is an enlarged view of the shaded region shown in FIG. 6 thereof.

The broken lines show a portion of the handle for a suitcase which forms no part of the claimed design. The stipple shading in FIGS. 7-12 shows an overall textured surface.

1 Claim, 12 Drawing Sheets



(56)

References Cited

U.S. PATENT DOCUMENTS

D461,390 S * 8/2002 Livingston D8/303
 D498,054 S * 11/2004 Moon D3/318
 D536,875 S * 2/2007 Fenton D3/318
 7,178,125 B1 * 2/2007 Huang G06F 17/5018
 716/115
 D593,716 S * 6/2009 Strauss D30/156
 D626,816 S * 11/2010 Claxton D8/303
 D637,816 S * 5/2011 Nitkin D3/318
 D669,945 S * 10/2012 Russo D21/662
 D685,785 S * 7/2013 Seoc D14/353
 D696,019 S * 12/2013 Sener D3/318
 D708,895 S * 7/2014 Hoyord D7/388
 D714,066 S * 9/2014 Thuma D5/99
 D716,786 S * 11/2014 Wilson D14/250

D735,661 S * 8/2015 Miller H02J 7/0027
 D13/103
 D737,522 S * 8/2015 Lavigne D28/76
 D743,697 S * 11/2015 Tooze D3/279
 D764,451 S * 8/2016 Hung D14/250
 2009/0107788 A1 * 4/2009 Lin A45C 13/262
 190/115
 2010/0128041 A1 * 5/2010 Branets G06F 17/5018
 345/441

OTHER PUBLICATIONS

Voronoi Lamp by Pranjali Diwakirti, posted at Pranjaldiwakirti.wordpress.com, posting date Mar. 17, 2012, [online], [site visited Dec. 12, 2016]. Available from Internet, <URL: <https://pranjaldiwakirti.wordpress.com/professionalwork2/voronoi-lamp/>>.*

* cited by examiner

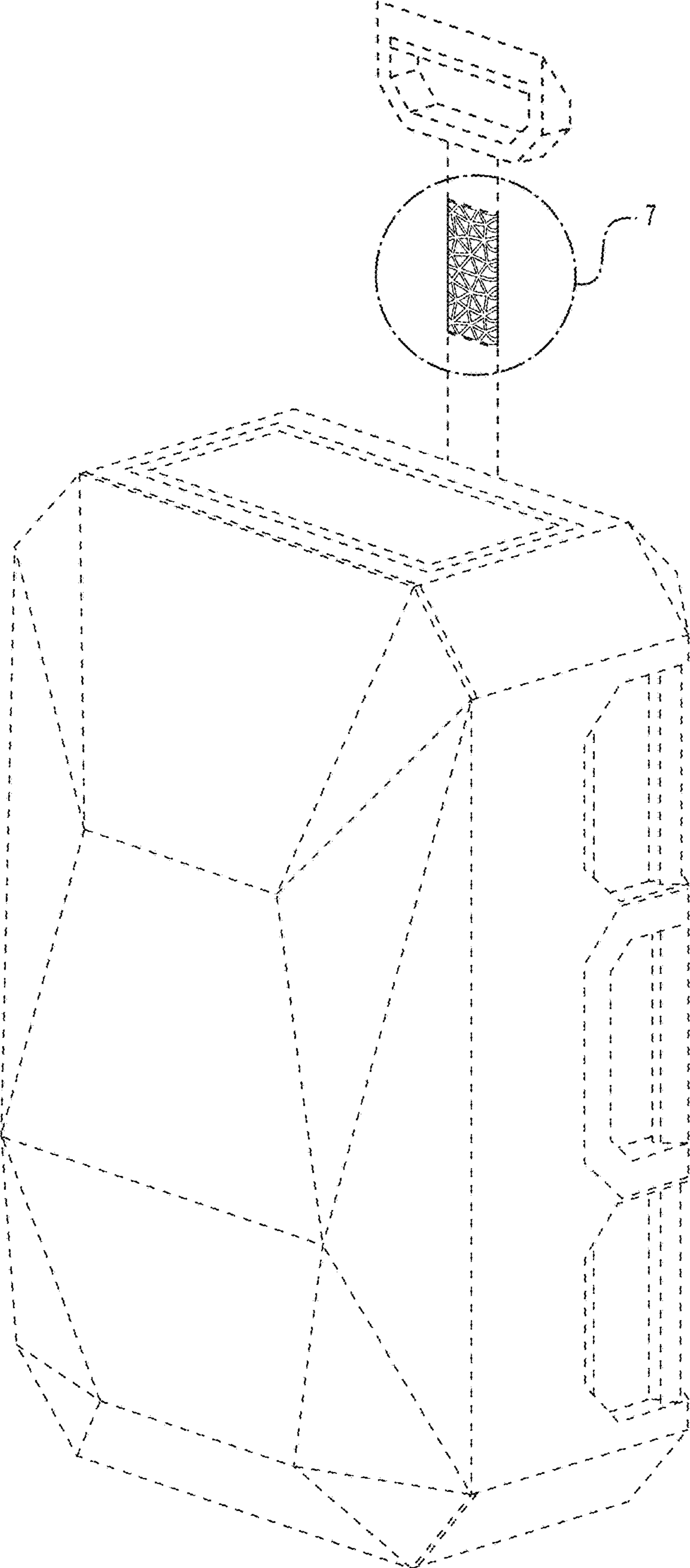


FIG. 1

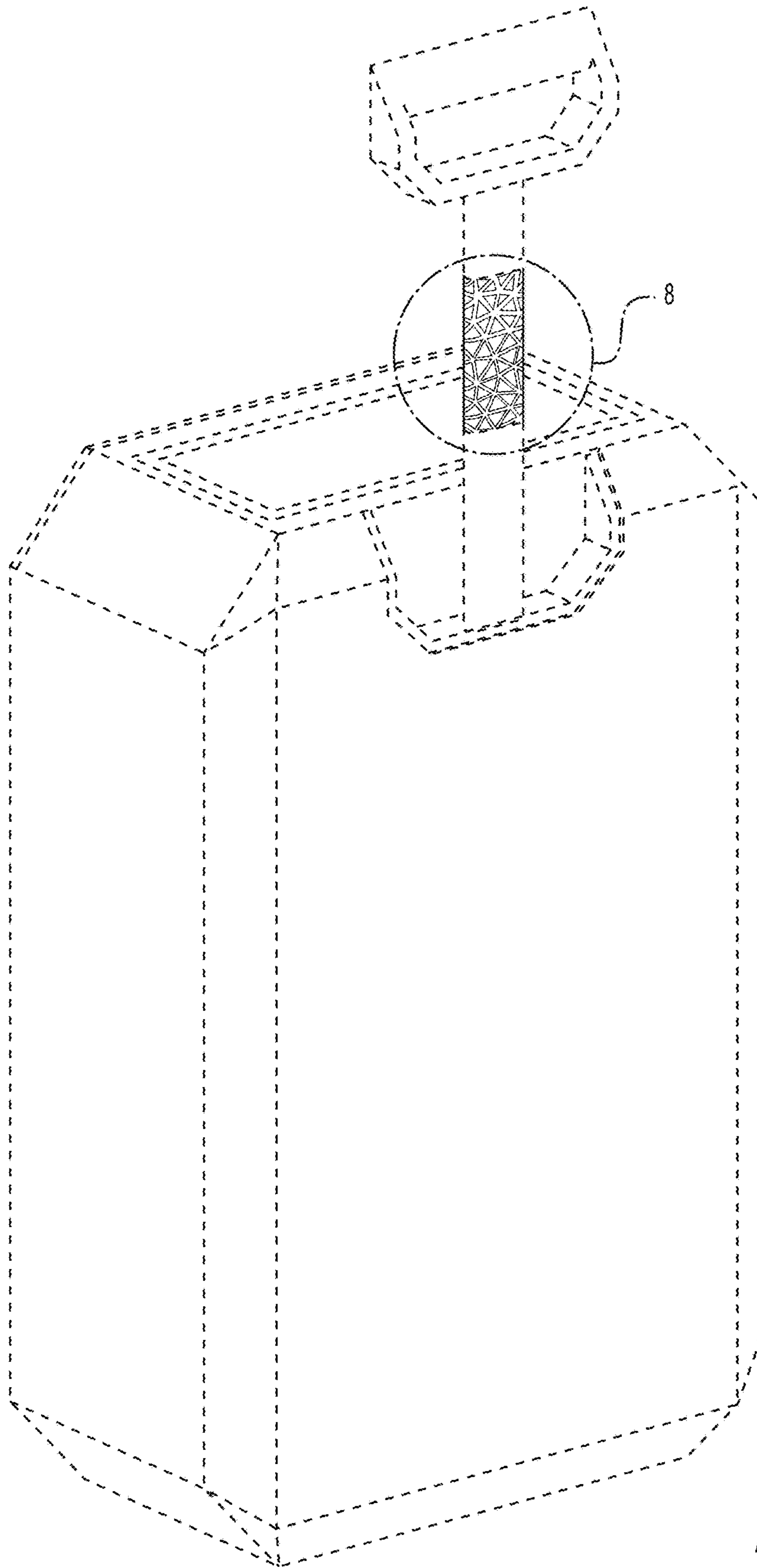


FIG. 2

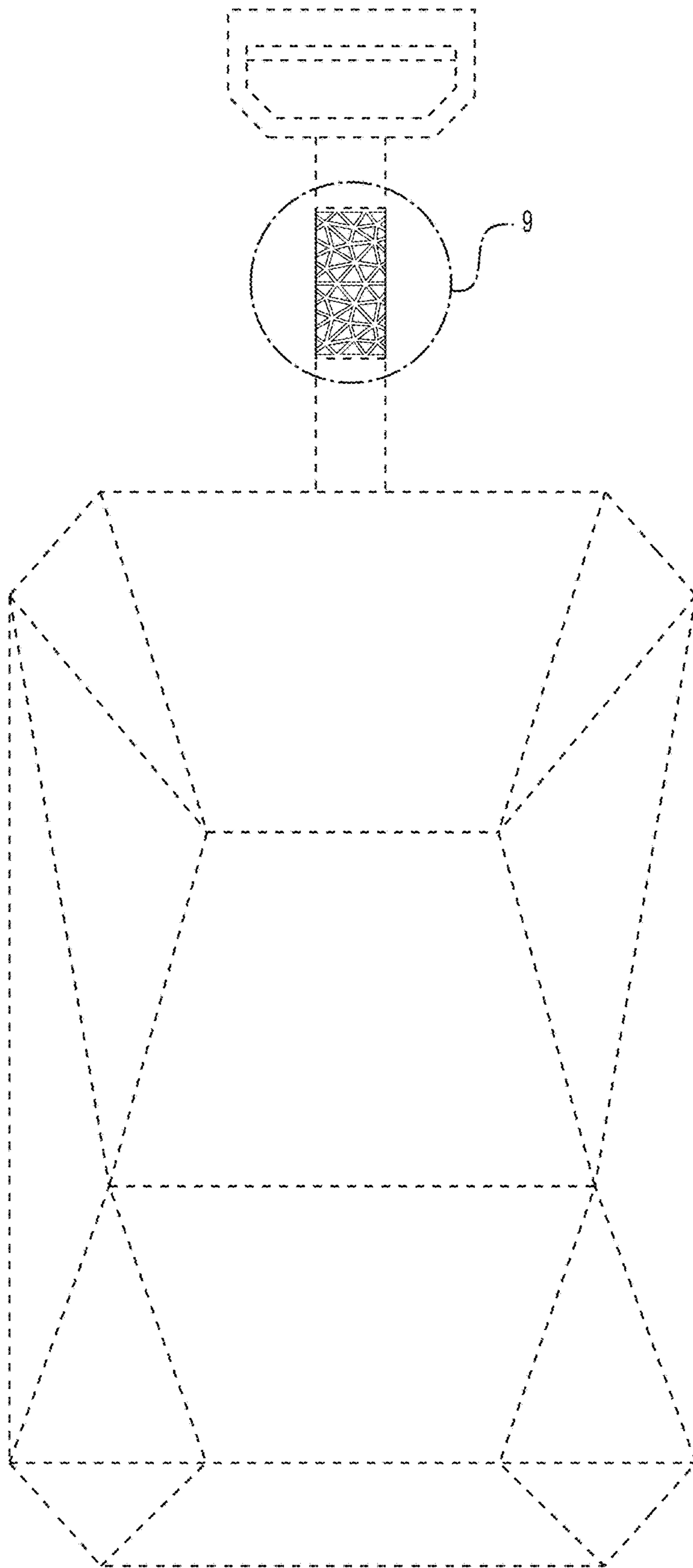


FIG. 3

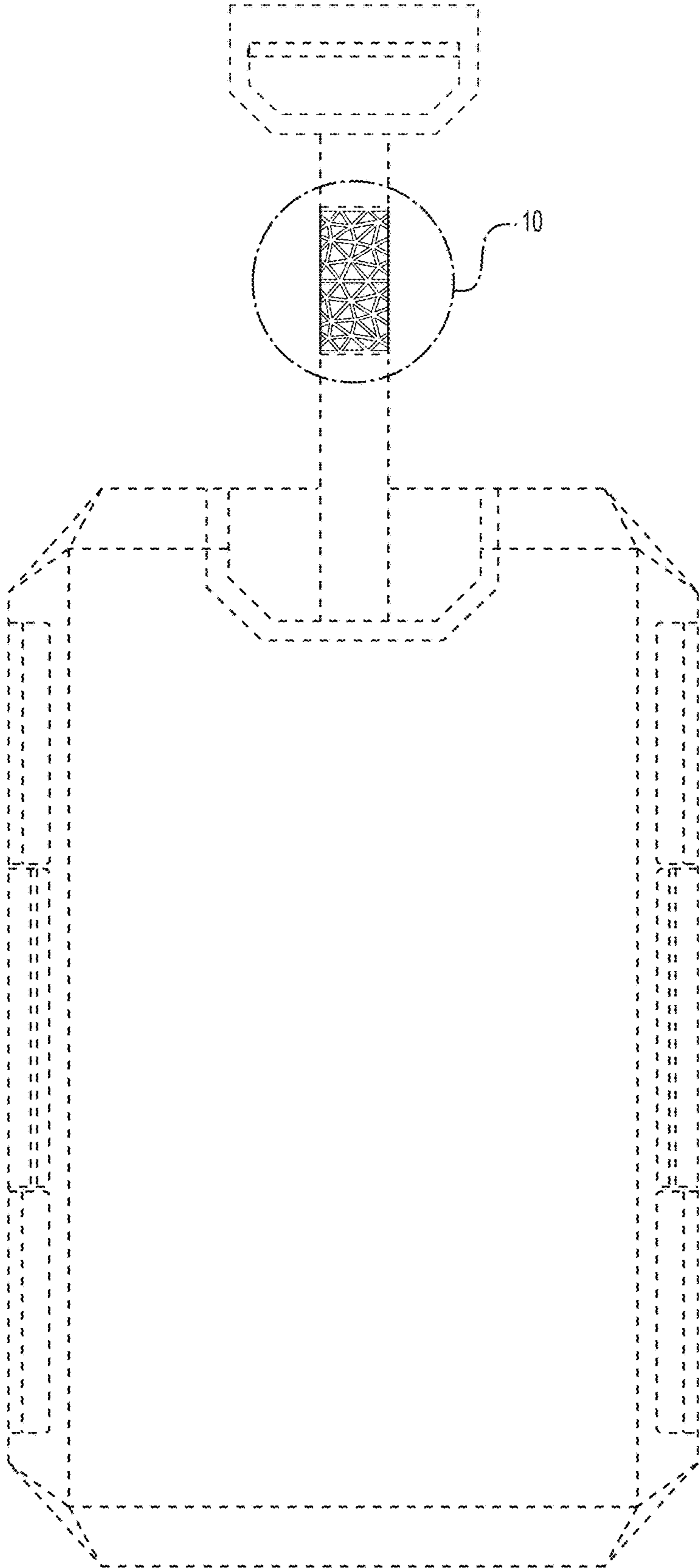


FIG. 4

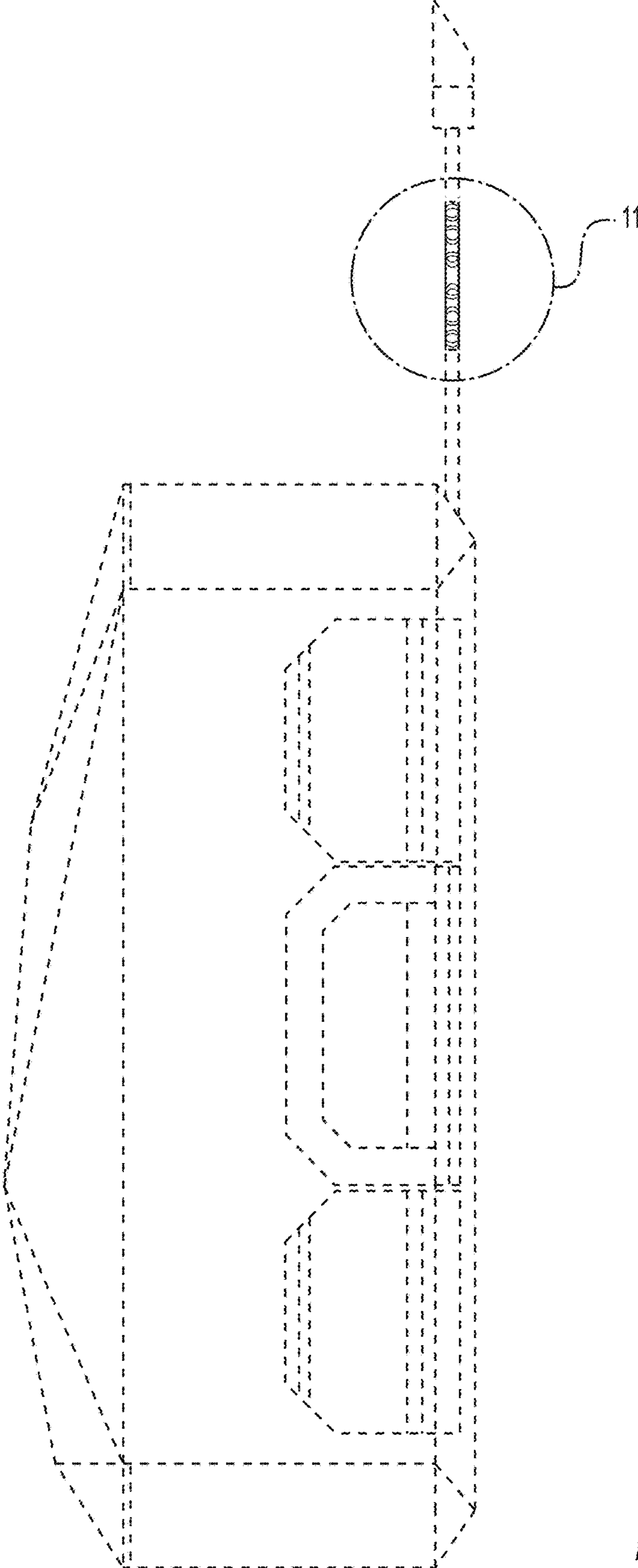


FIG. 5

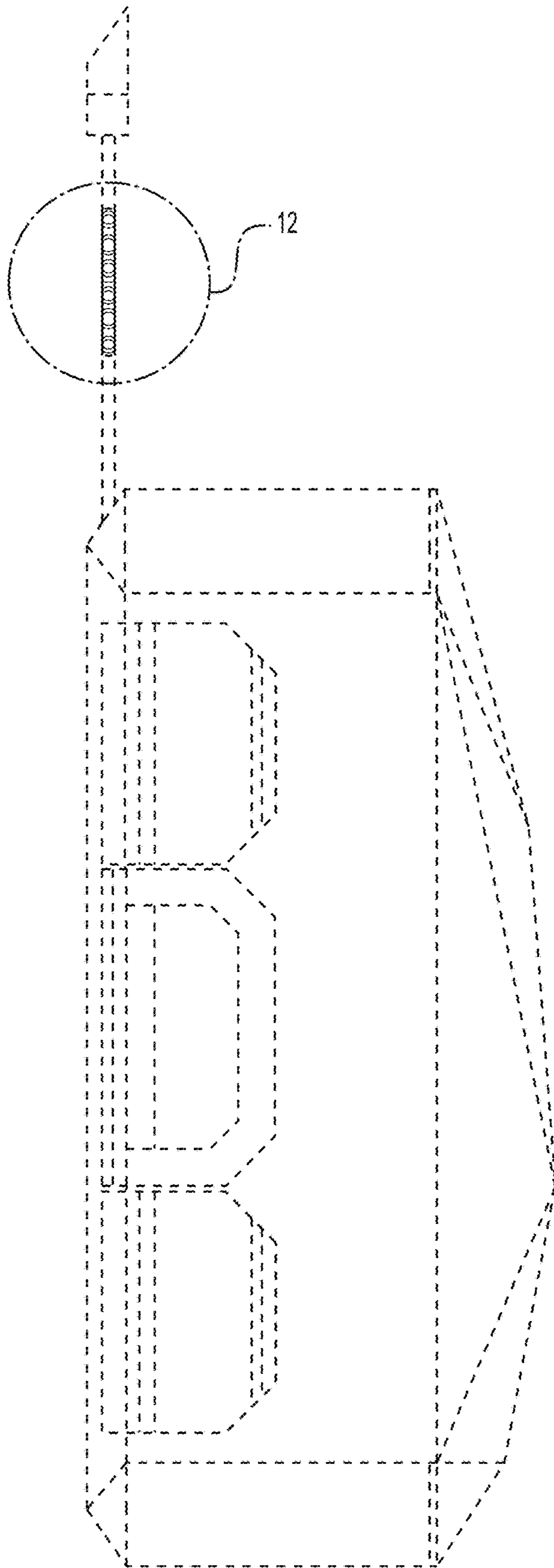


FIG. 6

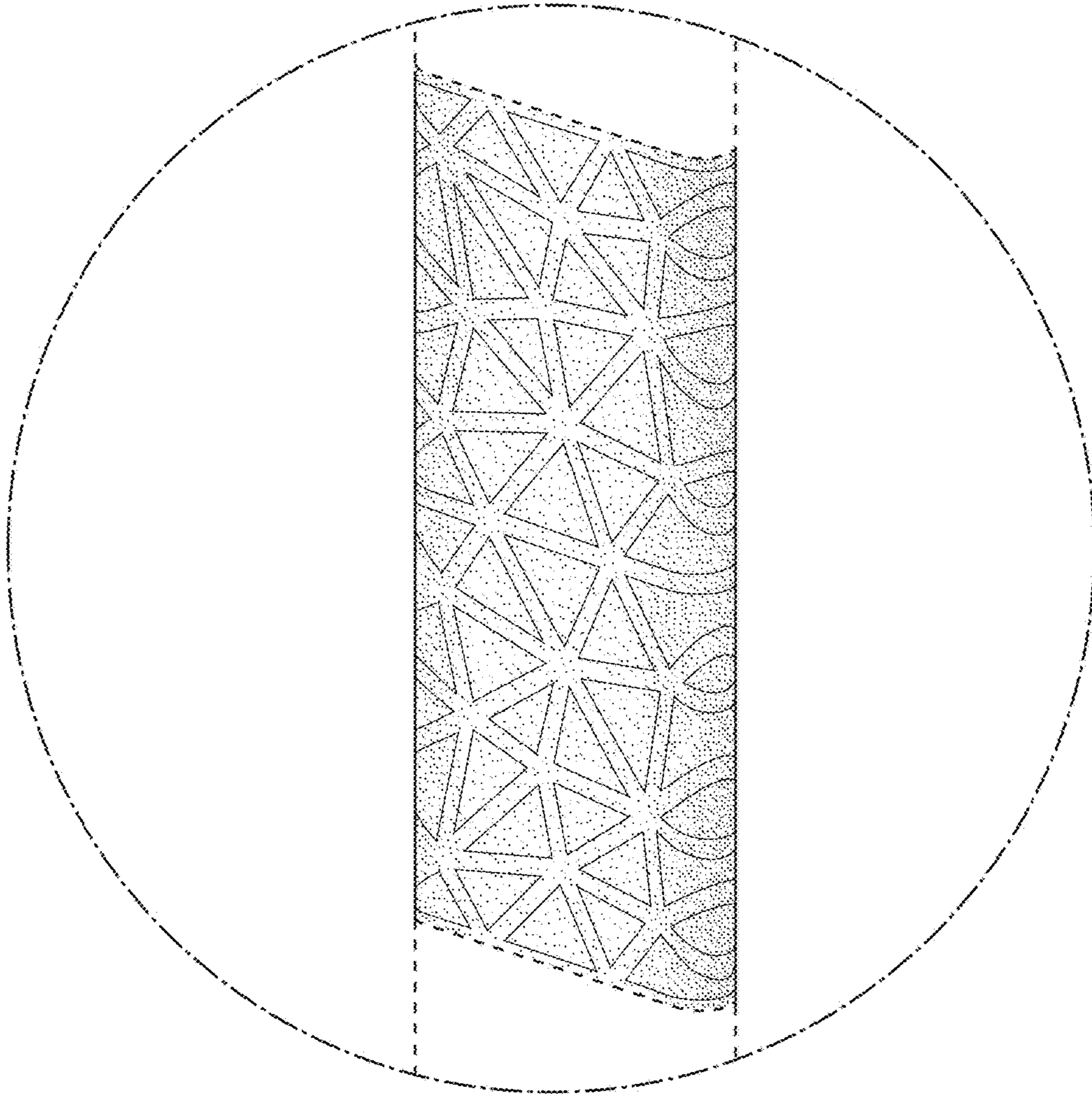


FIG. 7

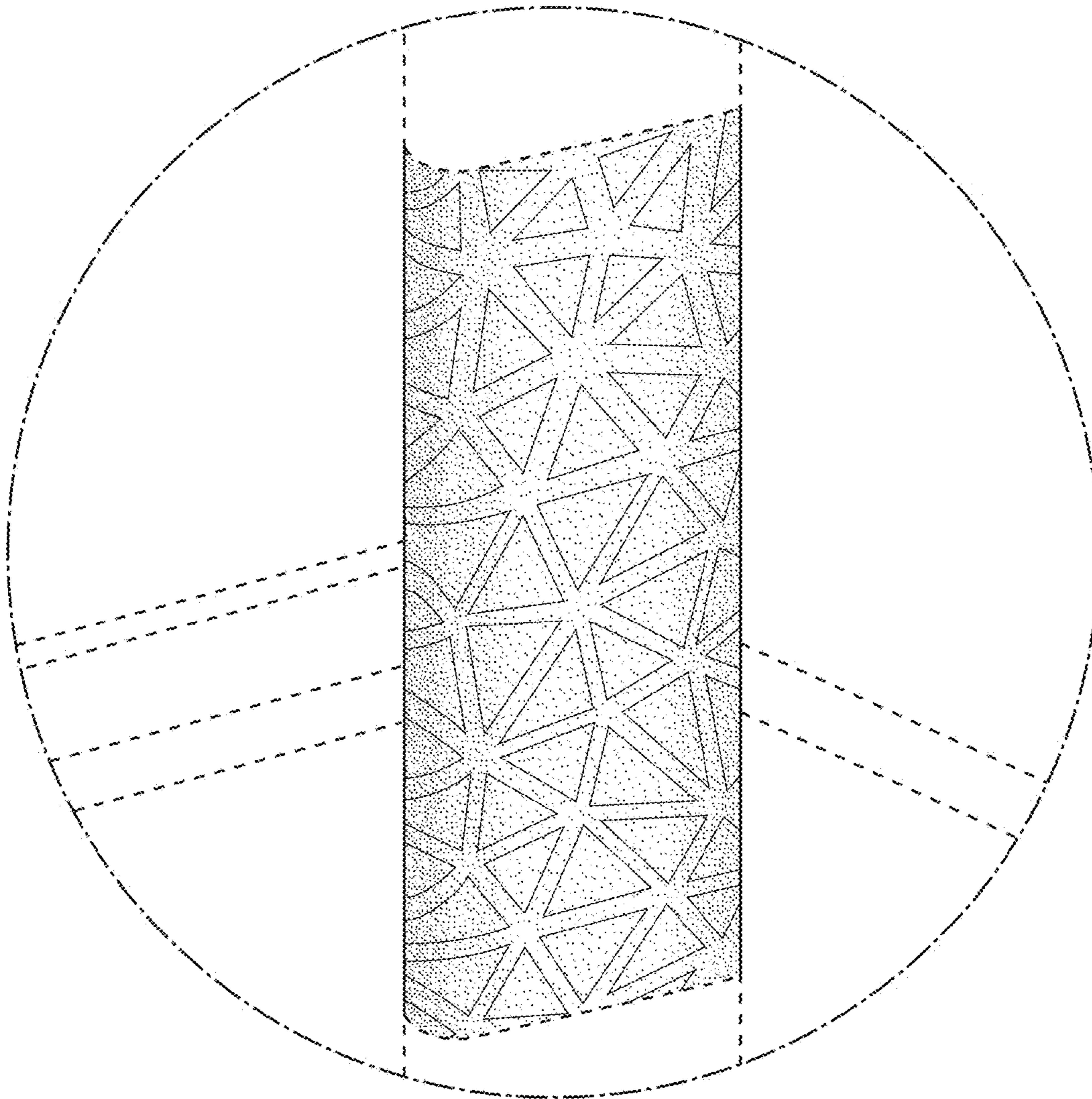


FIG. 8

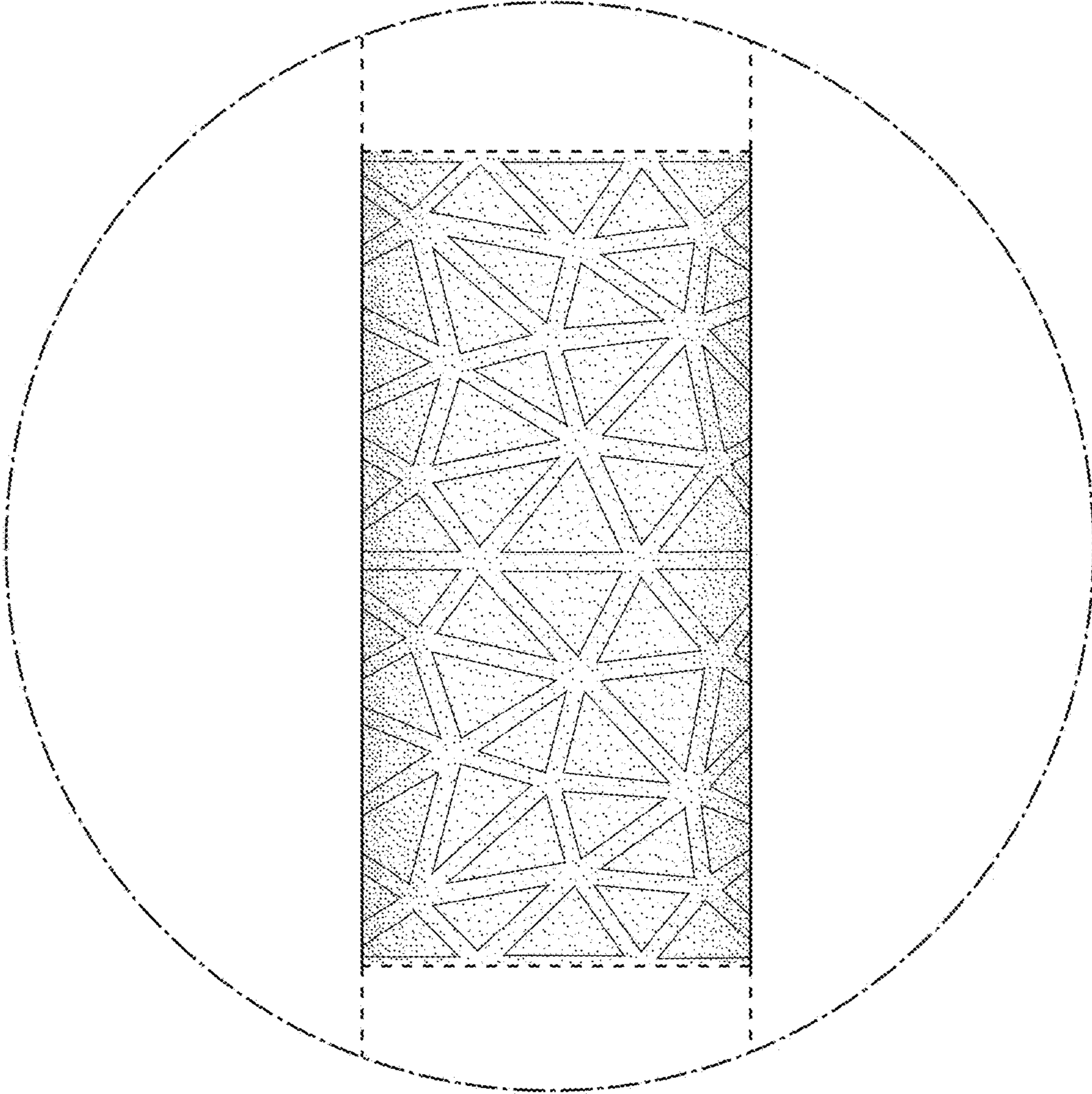


FIG. 9

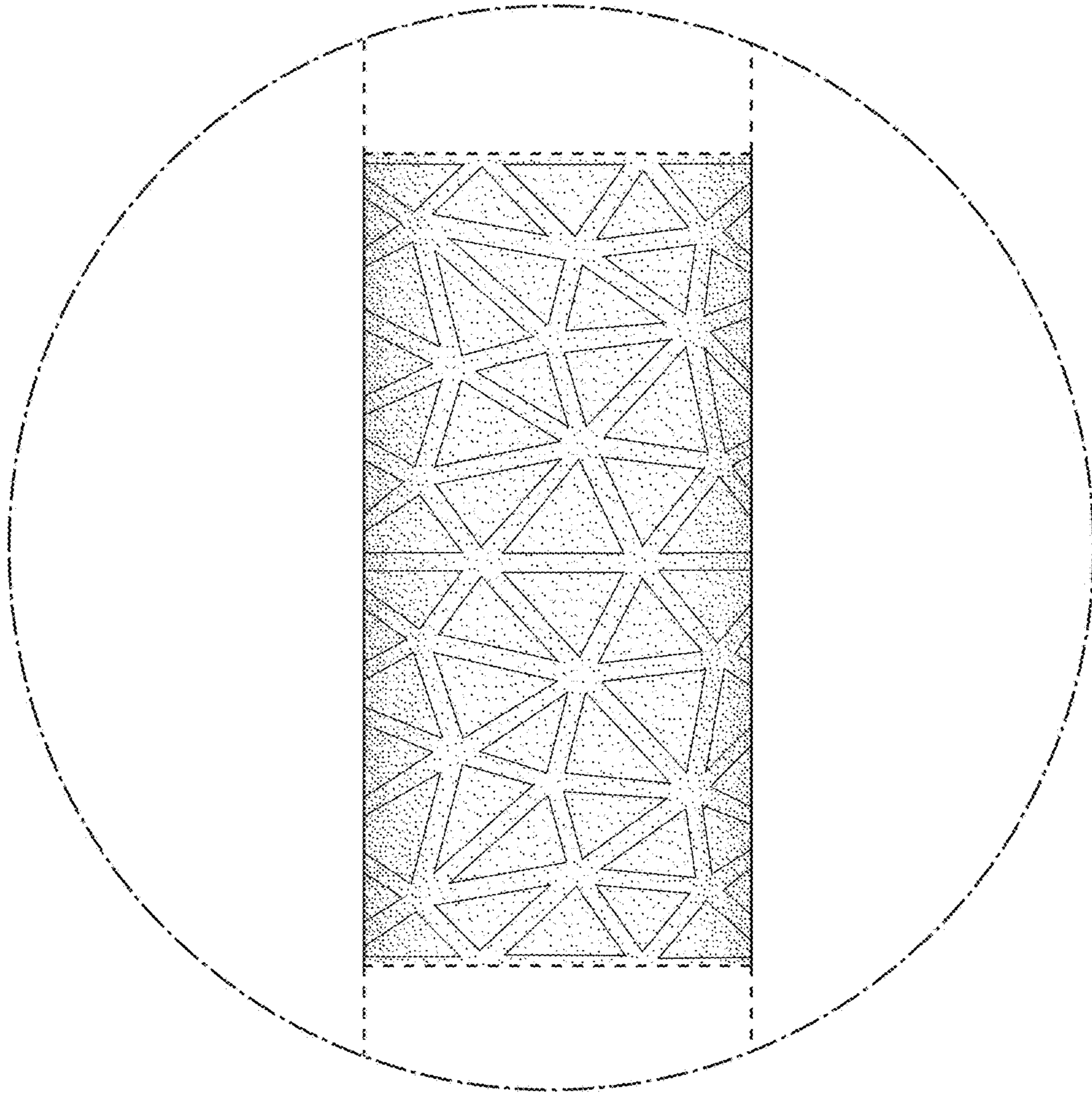


FIG. 10

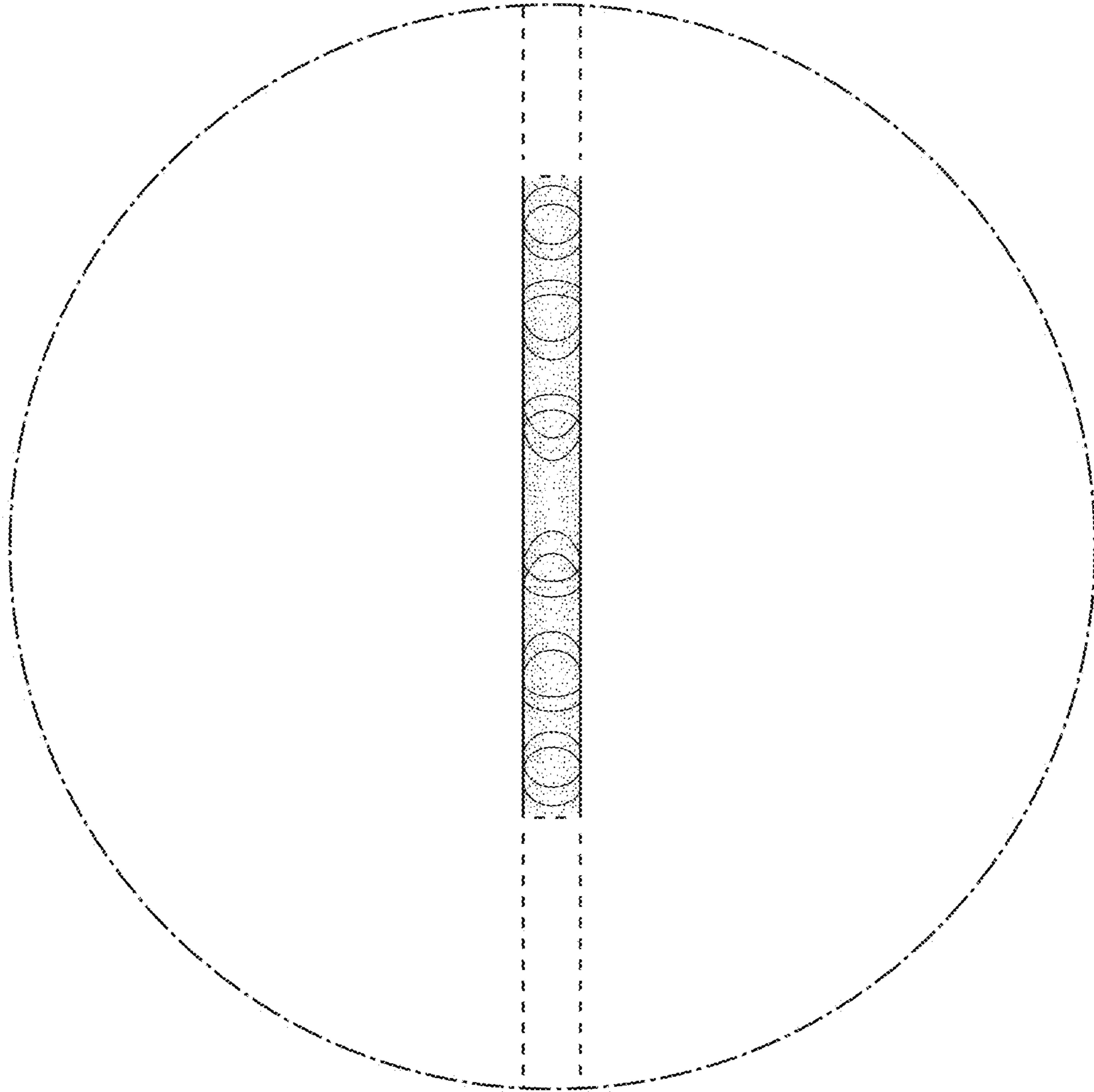


FIG. 11

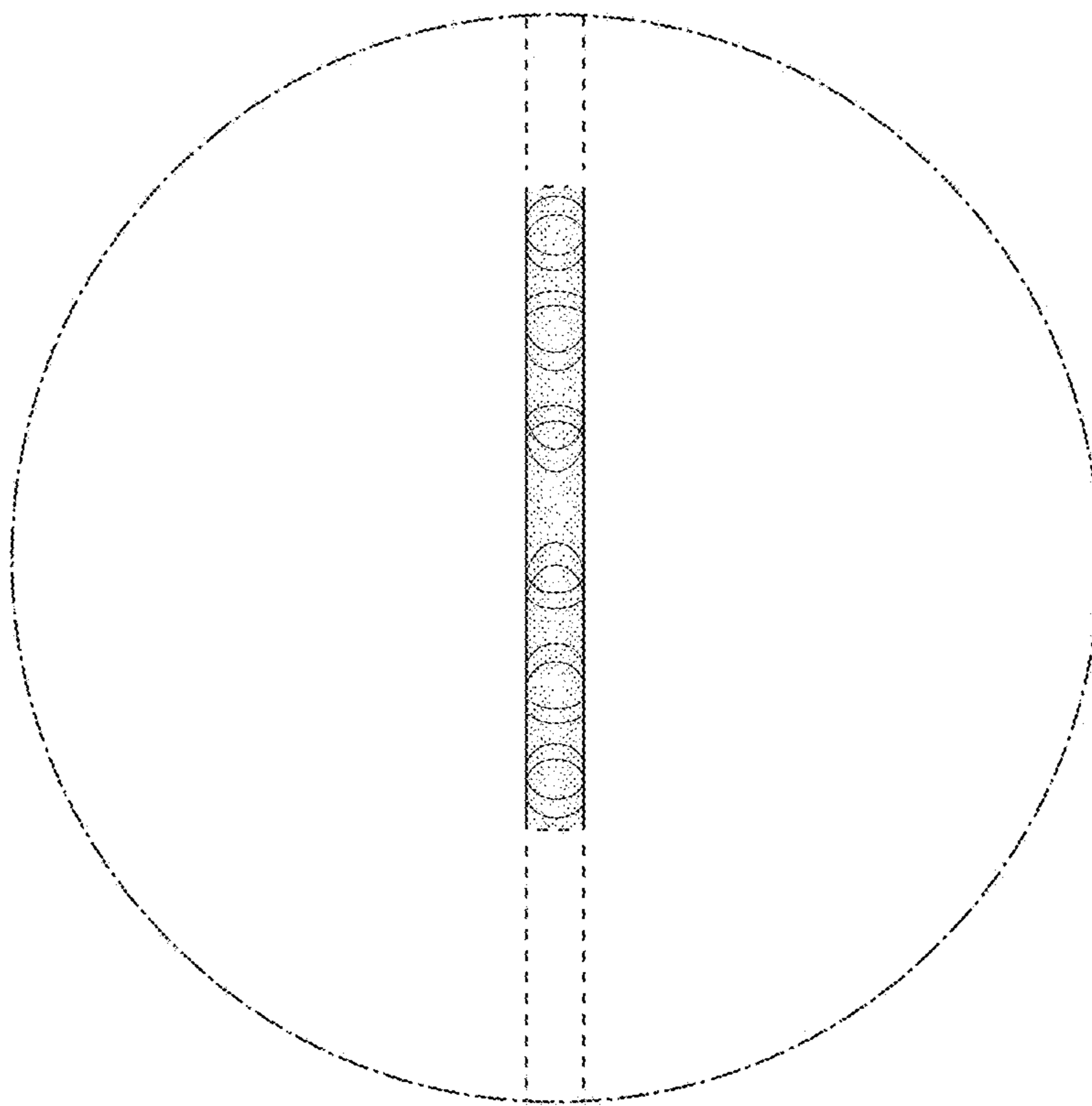


FIG. 12