



US00D795585S

(12) **United States Design Patent** (10) **Patent No.:** **US D795,585 S**
Serimian et al. (45) **Date of Patent:** **** Aug. 29, 2017**

- (54) **STACKABLE BOX**
- (71) Applicant: **Boxy LLC**, Fresno, CA (US)
- (72) Inventors: **Hannah Serimian**, Fresno, CA (US);
Dan Chapman, Fresno, CA (US)
- (73) Assignee: **Boxy LLC**, Fresno, CA (US)
- (**) Term: **15 Years**
- (21) Appl. No.: **29/558,599**
- (22) Filed: **Mar. 18, 2016**
- (51) **LOC (10) Cl.** **03-01**
- (52) **U.S. Cl.**
USPC **D3/313**
- (58) **Field of Classification Search**
USPC D9/414-434, 442-445, 456, 457, 542,
D9/563, 600, 614-624, 655, 657, 658,
D9/661, 695, 697-699, 707, 708, 711,
D9/759, 772-776; D3/273, 276, 304,
D3/310-313; D7/368, 601-602; D6/560,
D6/653-655, 662, 667, 705, 706
CPC B65D 5/00; B65D 5/001; B65D 5/0015;
B65D 5/1209; B65D 5/0227-5/0254;
B65D 5/18
See application file for complete search history.

- D623,509 S * 9/2010 Schloss D8/403
- D644,511 S * 9/2011 England D9/432
- D664,803 S * 8/2012 Argondizzo D7/368
- D684,810 S * 6/2013 Argondizzo D7/368
- D702,061 S * 4/2014 Sengsavang D6/667
- D727,479 S * 4/2015 Mayer D23/286
- D730,660 S * 6/2015 Chen D6/667
- D764,271 S * 8/2016 Sanfilippo D9/416

OTHER PUBLICATIONS

Meet Our Boxy Girl. [online] Published date Sep. 30, 2015 from
,URL: <https://www.youtube.com/watch?v=GllFucWoFGo>.*
Photos of prototype publicly shown at least one year prior to the
filing date of the present application, as more fully described in the
transmittal of IDS.

* cited by examiner

Primary Examiner — Vy Koenig
Assistant Examiner — Omeed Agilee
(74) *Attorney, Agent, or Firm* — Knobbe Martens Olson
& Bear LLP

(57) **CLAIM**

The ornamental design for a stackable box, as shown and
described.

DESCRIPTION

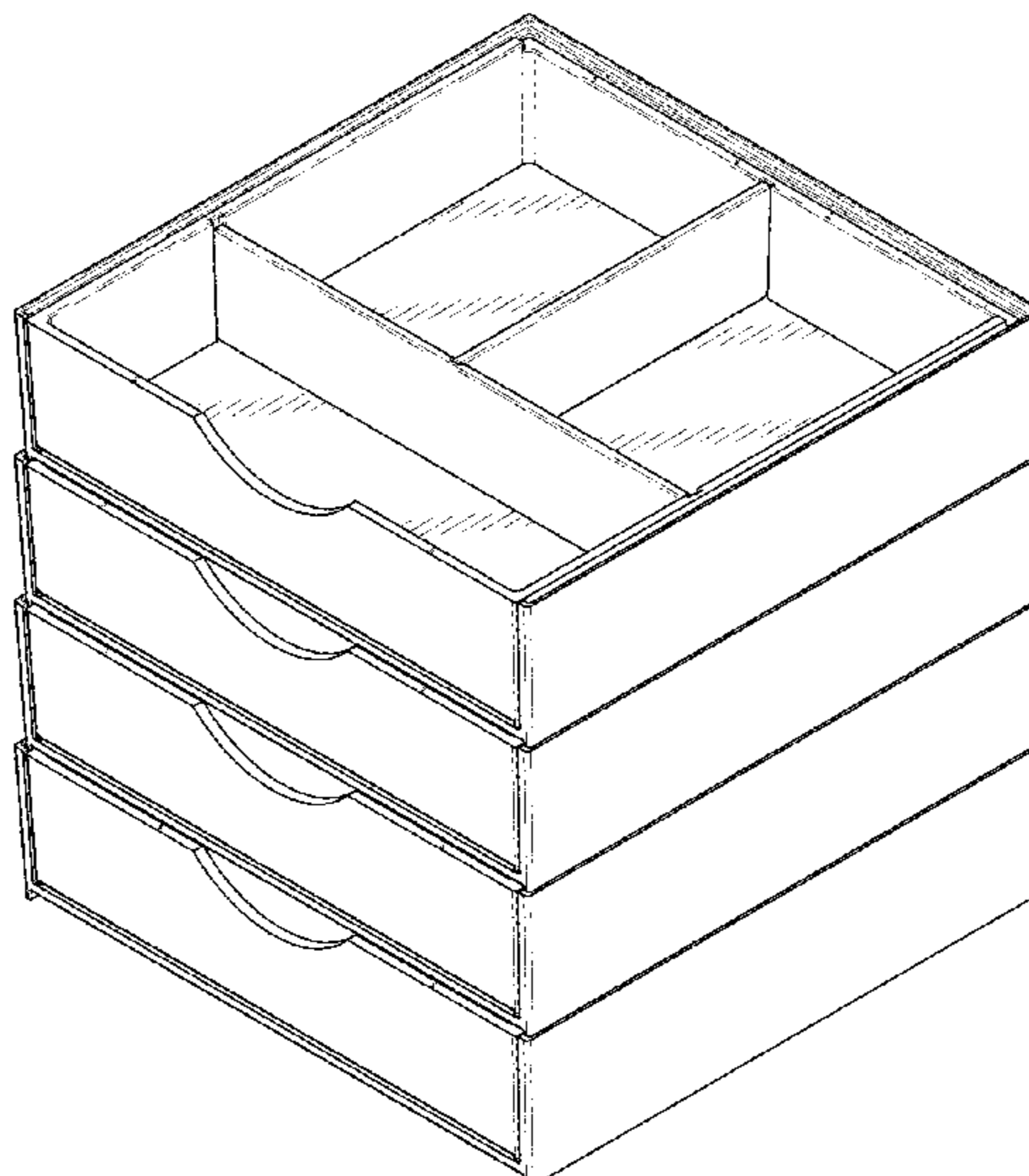
FIG. 1 is a top, front, and right perspective view of a
stackable box, showing our new design.
FIG. 2 is a bottom, back, and left perspective view thereof.
FIG. 3 is a front view thereof.
FIG. 4 is a back view thereof.
FIG. 5 is a left side view thereof.
FIG. 6 is a right side view thereof.
FIG. 7 is a top view thereof.
FIG. 8 is a bottom view thereof; and,
FIG. 9 is a cross-sectional view thereof, taken from the line
9-9 in FIG. 7.

1 Claim, 8 Drawing Sheets

(56) **References Cited**

U.S. PATENT DOCUMENTS

- D102,424 S * 12/1936 Gardiner D28/61
- 3,006,523 A * 10/1961 Keith B65D 5/0015
206/499
- 3,642,337 A * 2/1972 Manheim G11B 23/023
206/387.12
- D417,337 S * 12/1999 Pinto D3/273
- D471,055 S * 3/2003 Hermansen D7/332
- D502,812 S * 3/2005 Zimmerman D3/297
- D543,033 S * 5/2007 Carbone D3/319
- D587,014 S * 2/2009 Hand D3/318



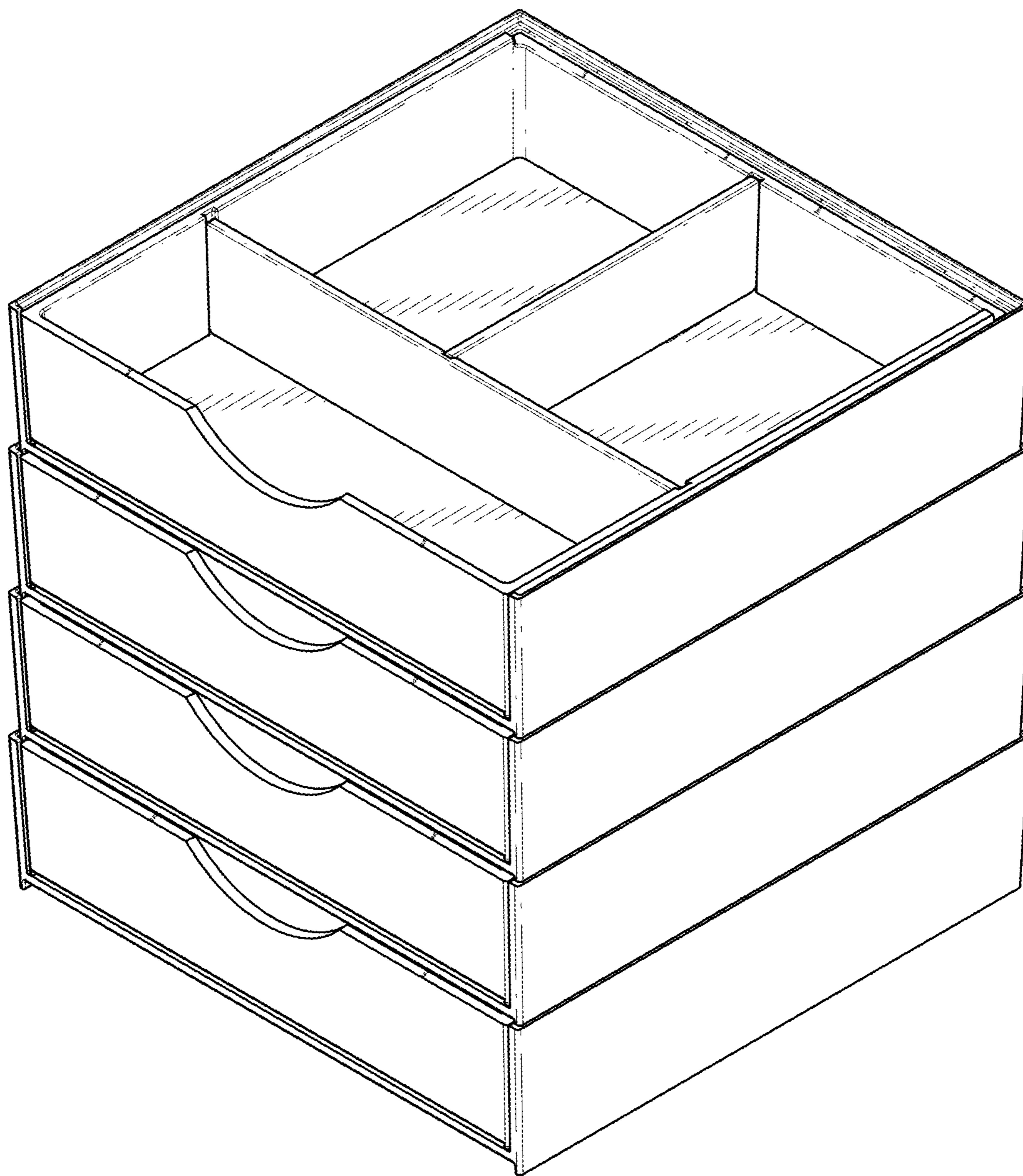


Fig. 1

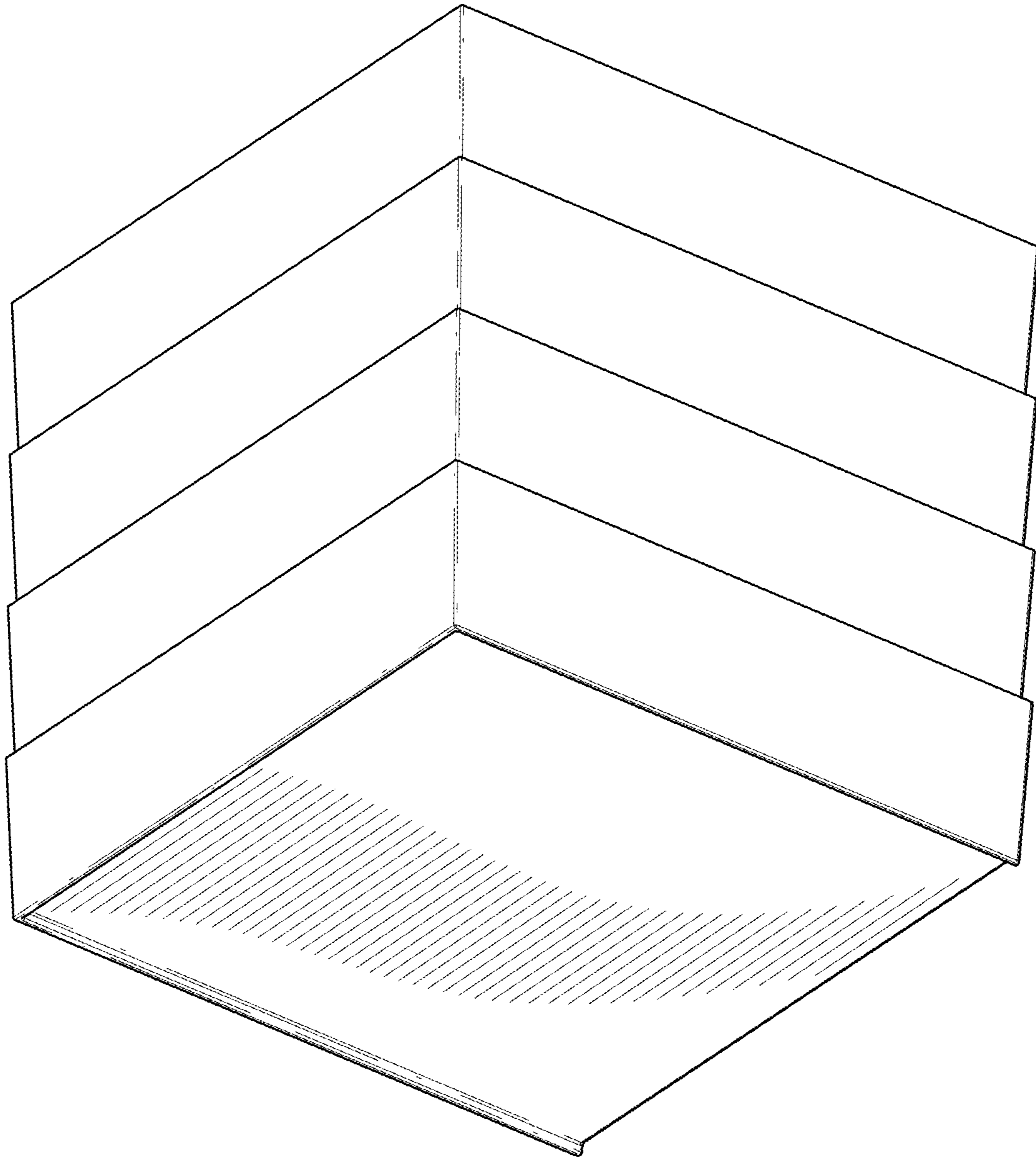


Fig. 2

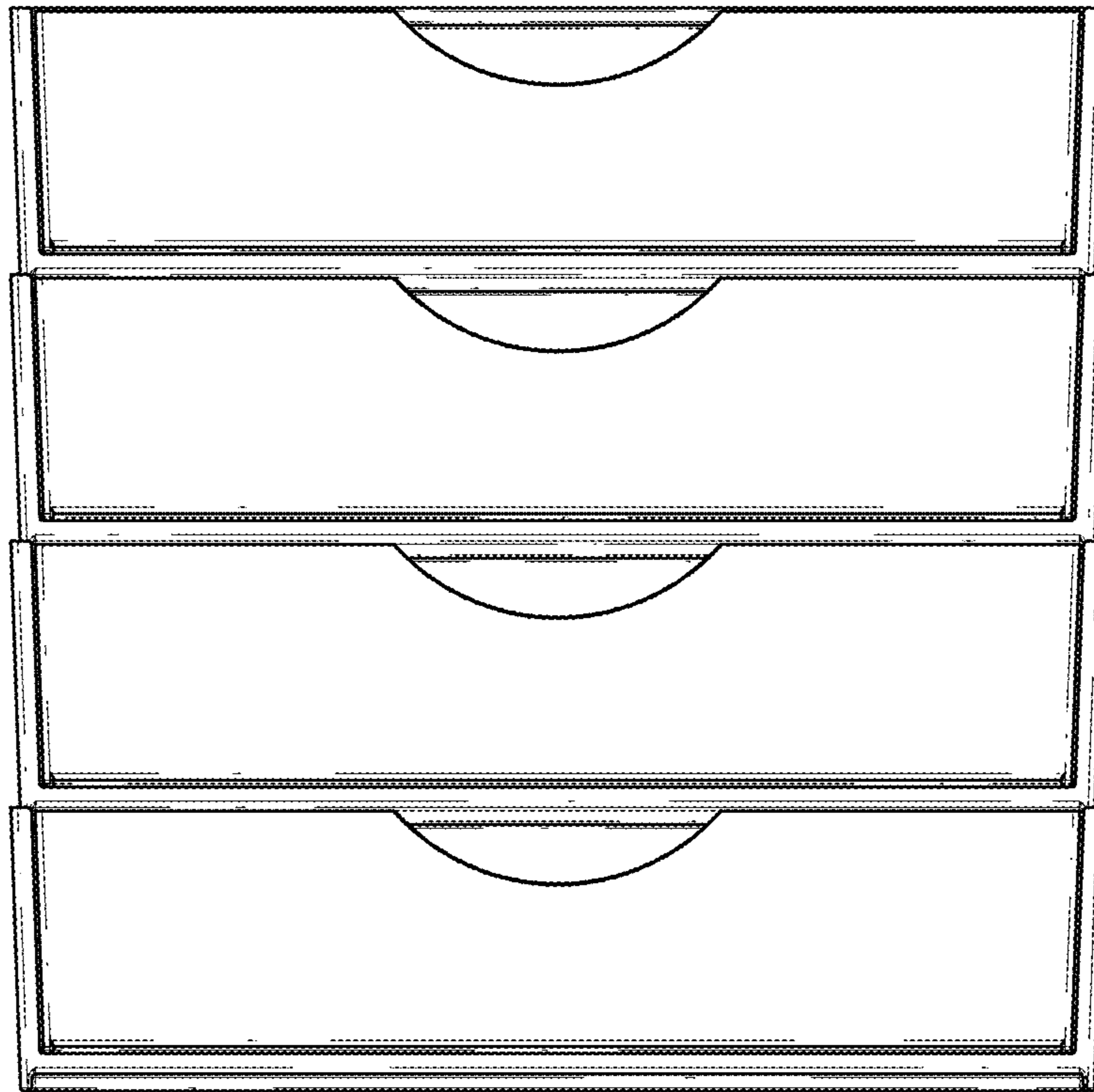


Fig. 3

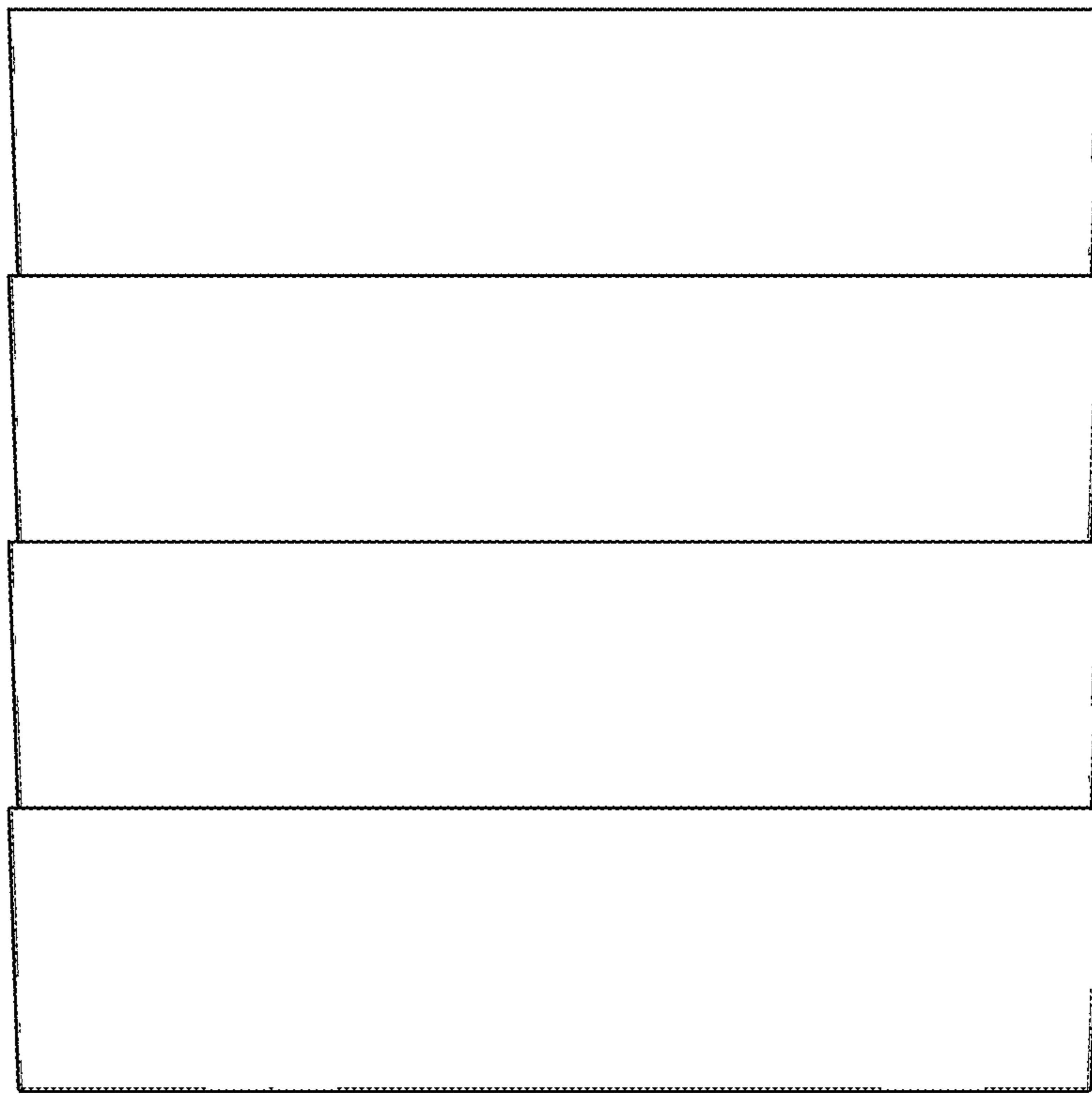


Fig. 4

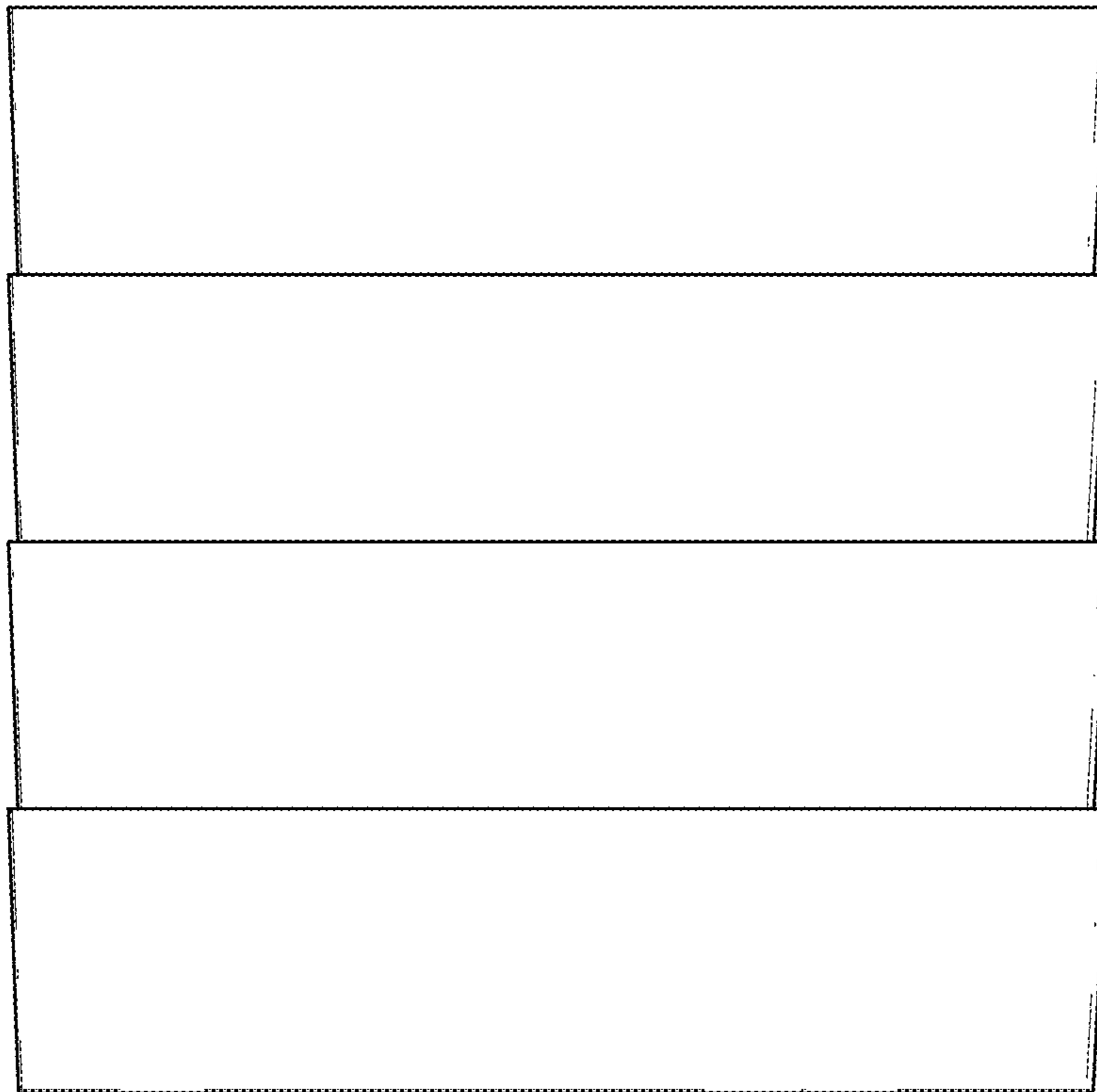


Fig. 5

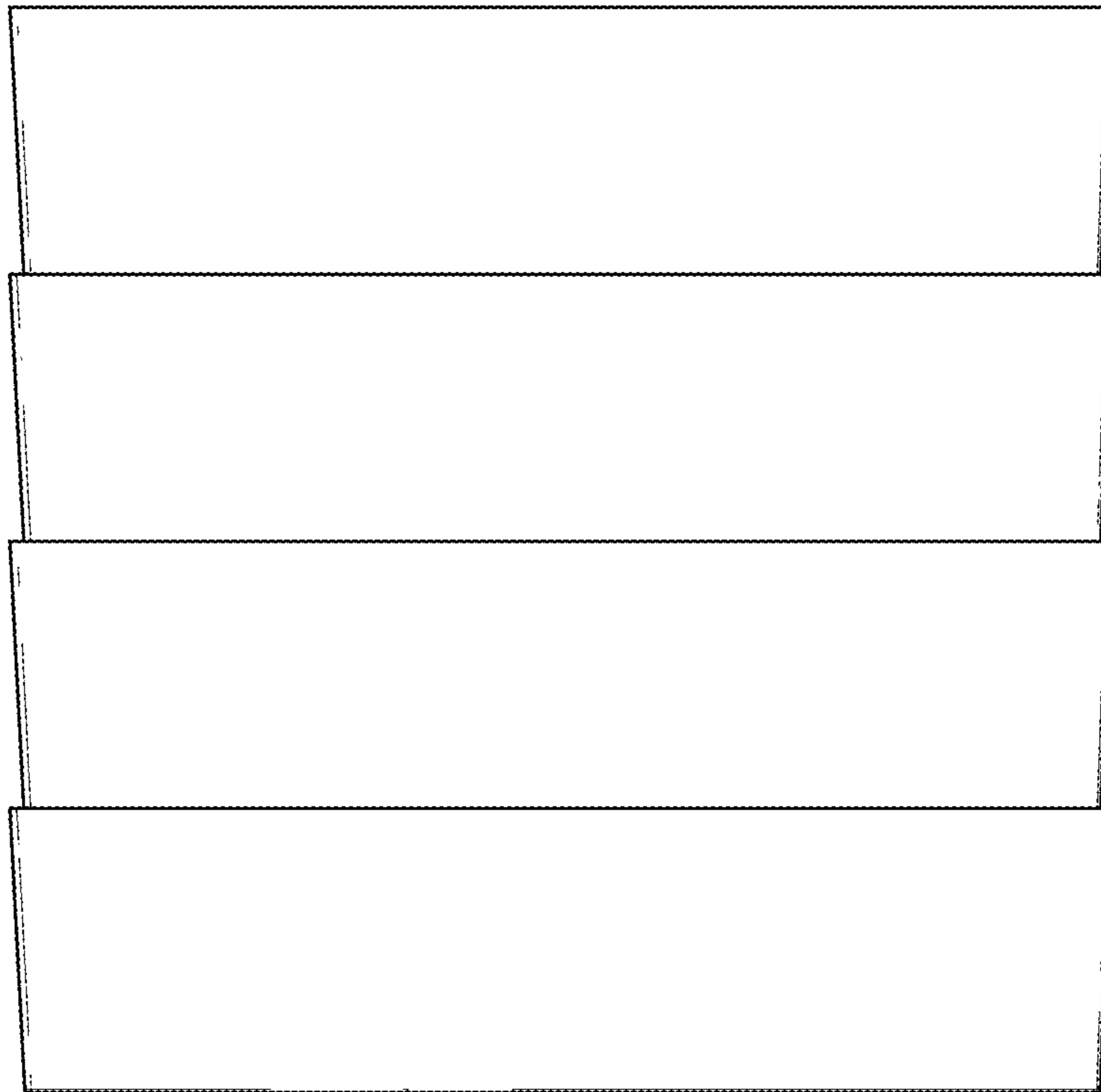


Fig. 6

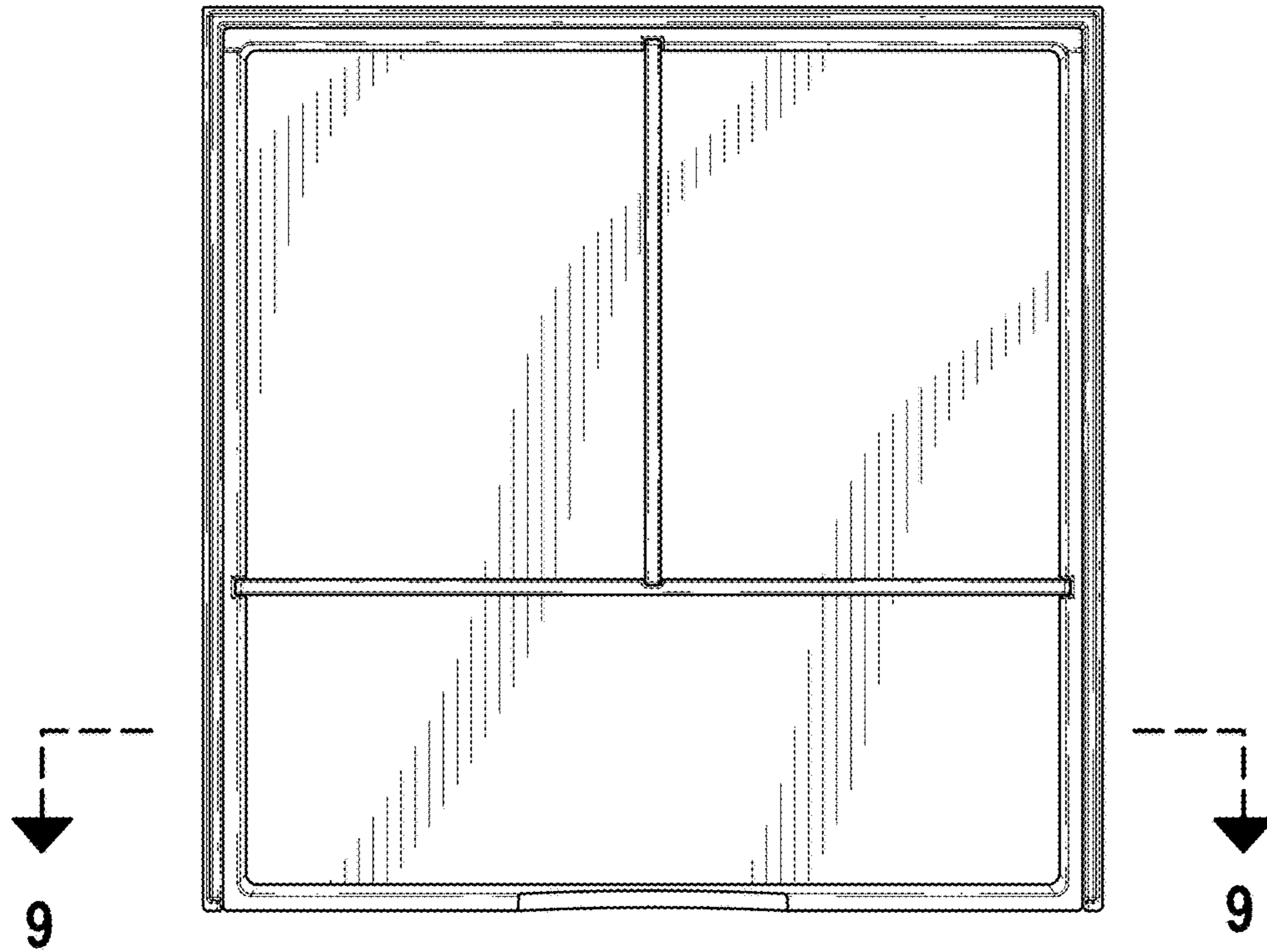


Fig. 7

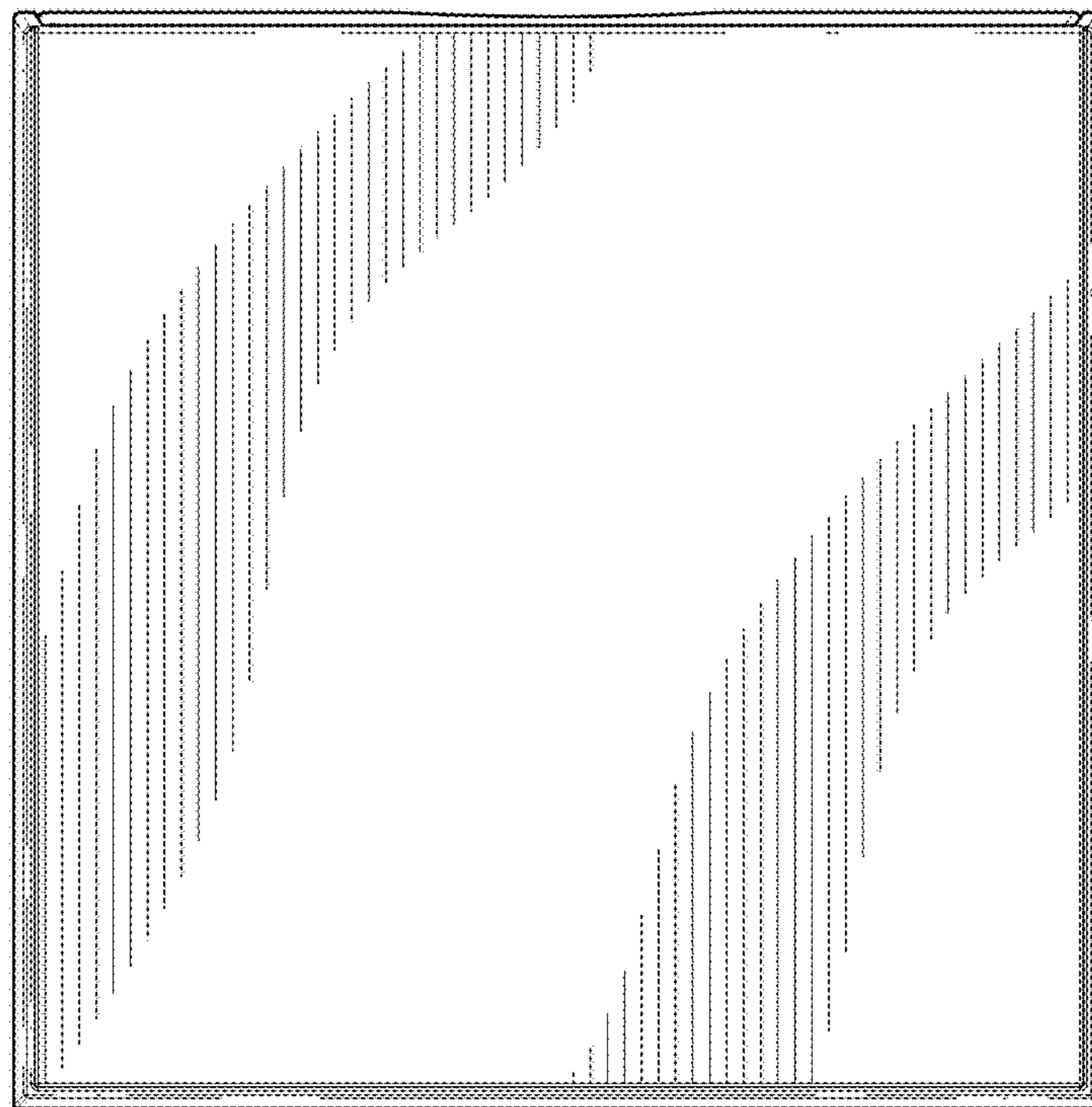


Fig. 8

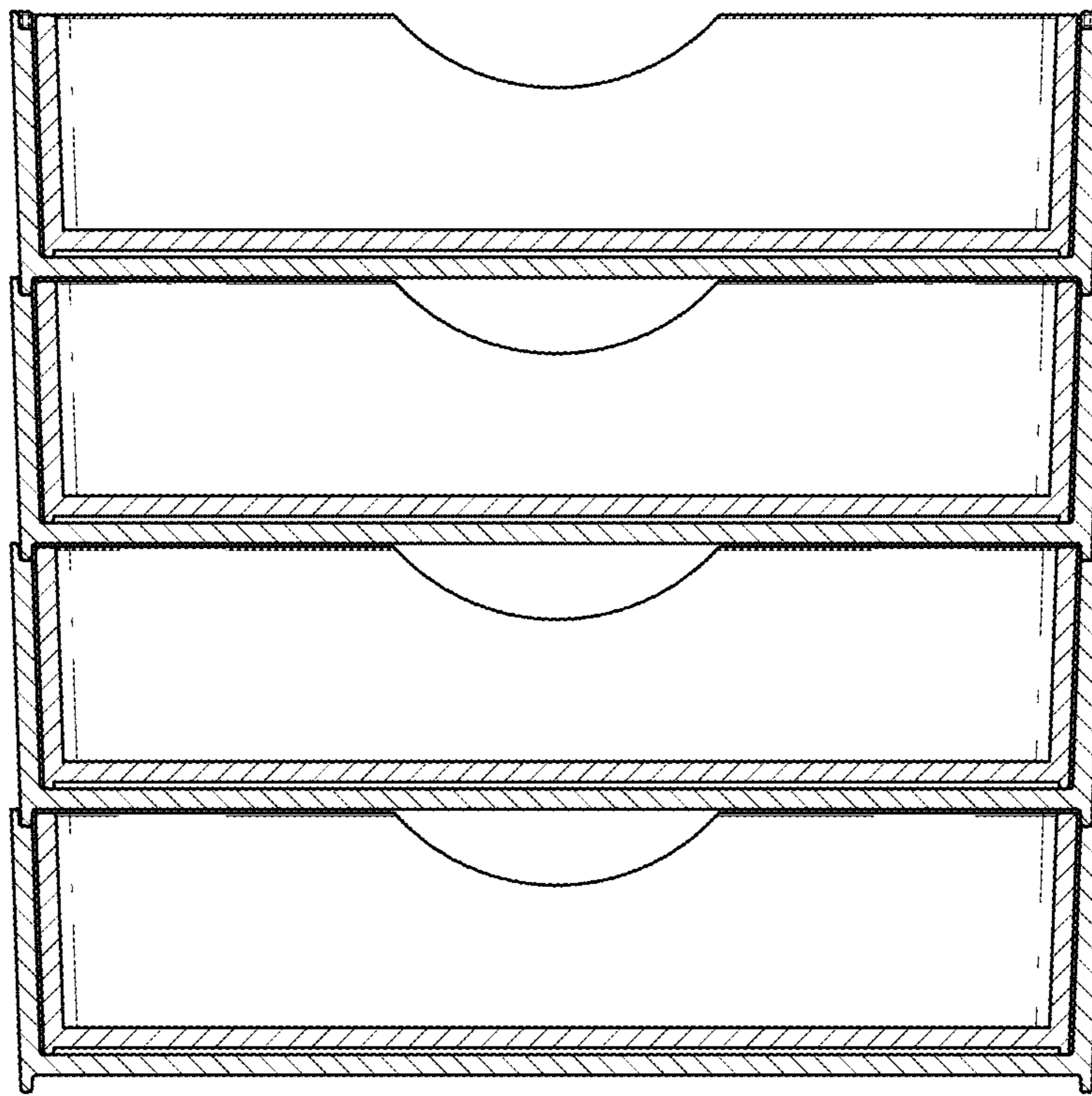


Fig. 9