



US00D795584S

(12) **United States Design Patent**
Walker, Jr. et al.

(10) **Patent No.:** **US D795,584 S**
(45) **Date of Patent:** **** Aug. 29, 2017**

(54) **TOOL CADDY**

(71) Applicants: **Thermon Walker, Jr.**, Macclenny, FL
(US); **W. Mark Broughton**, Macclenny,
FL (US)

(72) Inventors: **Thermon Walker, Jr.**, Macclenny, FL
(US); **W. Mark Broughton**, Macclenny,
FL (US)

(**) Term: **15 Years**

(21) Appl. No.: **29/573,270**

(22) Filed: **Aug. 4, 2016**

(51) **LOC (10) Cl.** **03-01**

(52) **U.S. Cl.**
USPC **D3/307**

(58) **Field of Classification Search**
USPC D3/304, 307, 310, 313, 315, 328;
D6/672, 673, 678, 682, 683, 683.1;
D7/550.1, 552.1, 553.1, 555
CPC B65D 1/24; B65D 2501/24; B65D 1/36;
B25F 5/029
See application file for complete search history.

(56) **References Cited**

U.S. PATENT DOCUMENTS

3,887,103	A *	6/1975	Spooner	B25H 3/06 206/203
4,328,902	A *	5/1982	North	B65D 21/0204 220/23.4
D298,079	S *	10/1988	Chatham	D3/308
4,895,256	A *	1/1990	Johnston	B25H 3/021 206/203
D329,135	S *	9/1992	Embree	D3/308
D357,119	S *	4/1995	Calmeise	D3/308
D369,242	S *	4/1996	Tiramani	D3/308
D422,788	S *	4/2000	Carr	D3/307

D424,806	S *	5/2000	Dixon, Sr.	D3/304
D451,281	S *	12/2001	Wodkowski	D3/307
6,460,697	B1 *	10/2002	Stevens	B25H 3/06 206/225
6,516,948	B1 *	2/2003	Caballero	B25H 3/021 206/373
8,636,169	B2 *	1/2014	Sampaio	B65D 21/0209 200/555
D725,910	S *	4/2015	Sampaio	B65D 21/0209 D3/315
D784,019	S *	4/2017	McLaughlin	D3/305

* cited by examiner

Primary Examiner — Kelley Donnelly

(74) *Attorney, Agent, or Firm* — H. John Rizvi; Gold & Rizvi, P.A.

(57) **CLAIM**

We claim the ornamental design for a tool caddy, as shown and described.

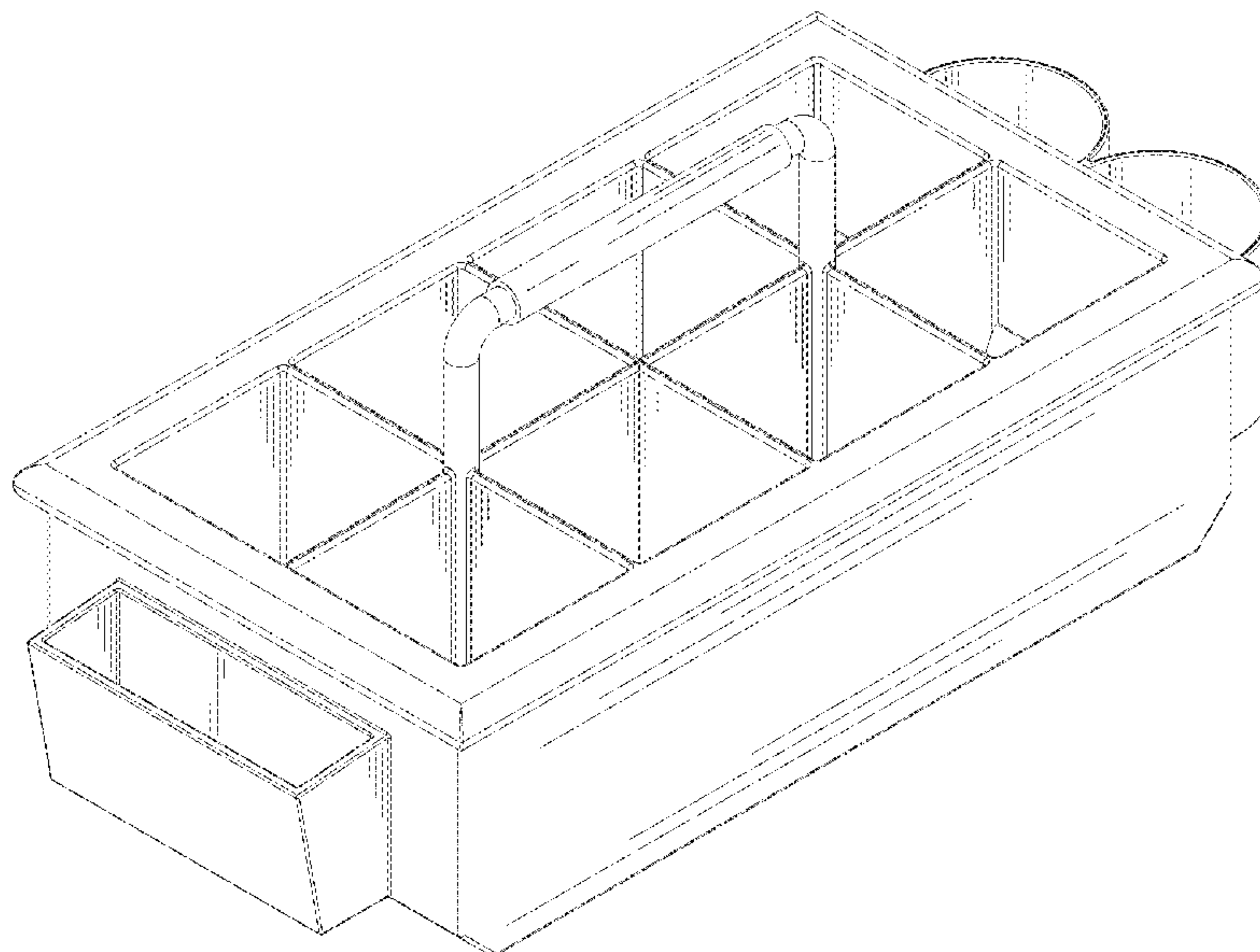
DESCRIPTION

FIG. 1 is a top front isometric view of our new design; FIG. 2 is a top rear isometric view thereof; FIG. 3 is a right side elevation view thereof, the left side elevation view is a mirror image; FIG. 4 is a front elevation view thereof; FIG. 5 is a rear elevation view thereof; FIG. 6 is a top plan view thereof; FIG. 7 is a bottom plan view thereof; and, FIG. 8 is a cross-sectional right side elevation view thereof, the cross section taken along section plane 8-8 indicated in FIG. 6.

The left side elevation view of the design is a mirror image of the right side elevation view of FIG. 3.

The portion of the tool caddy depicted in the figures in broken lines forms no part of the claimed design.

1 Claim, 7 Drawing Sheets



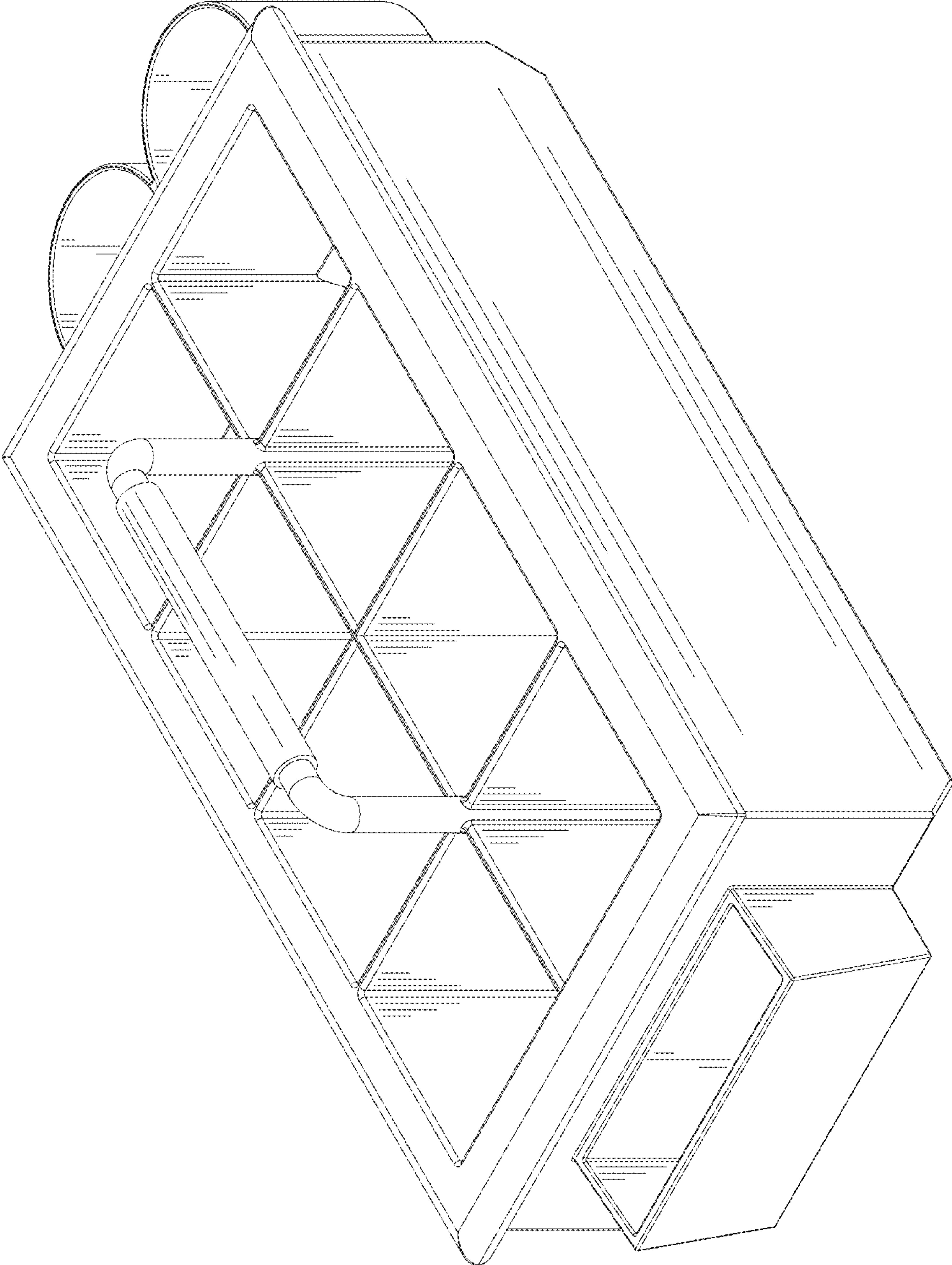


FIG. 1

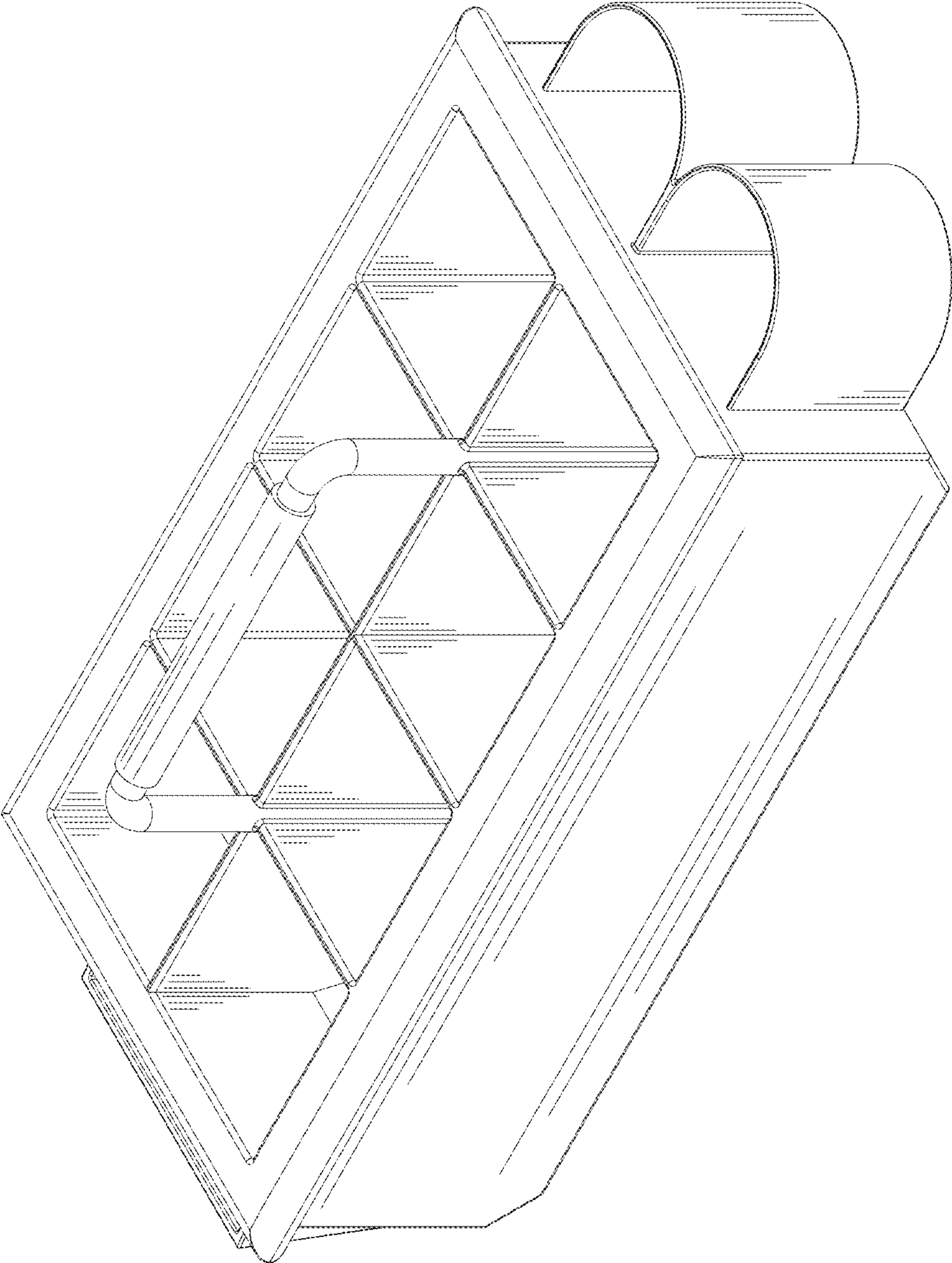


FIG. 2

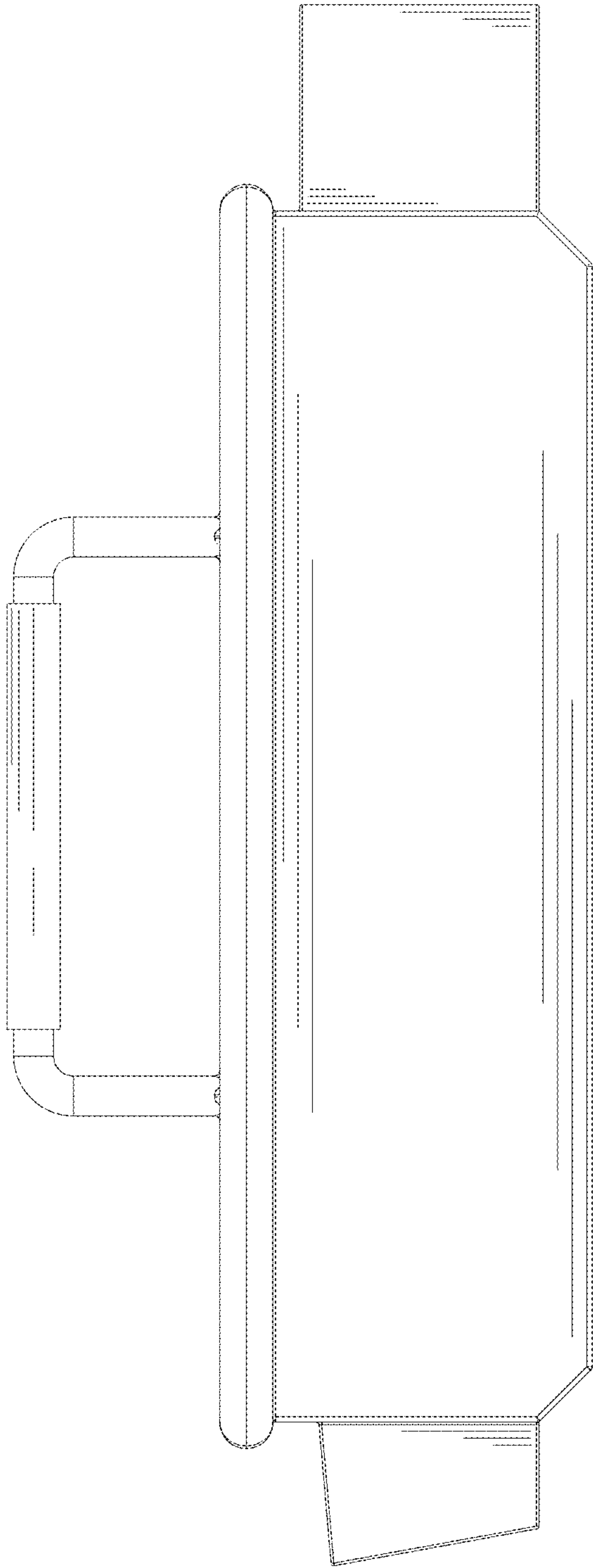


FIG. 3

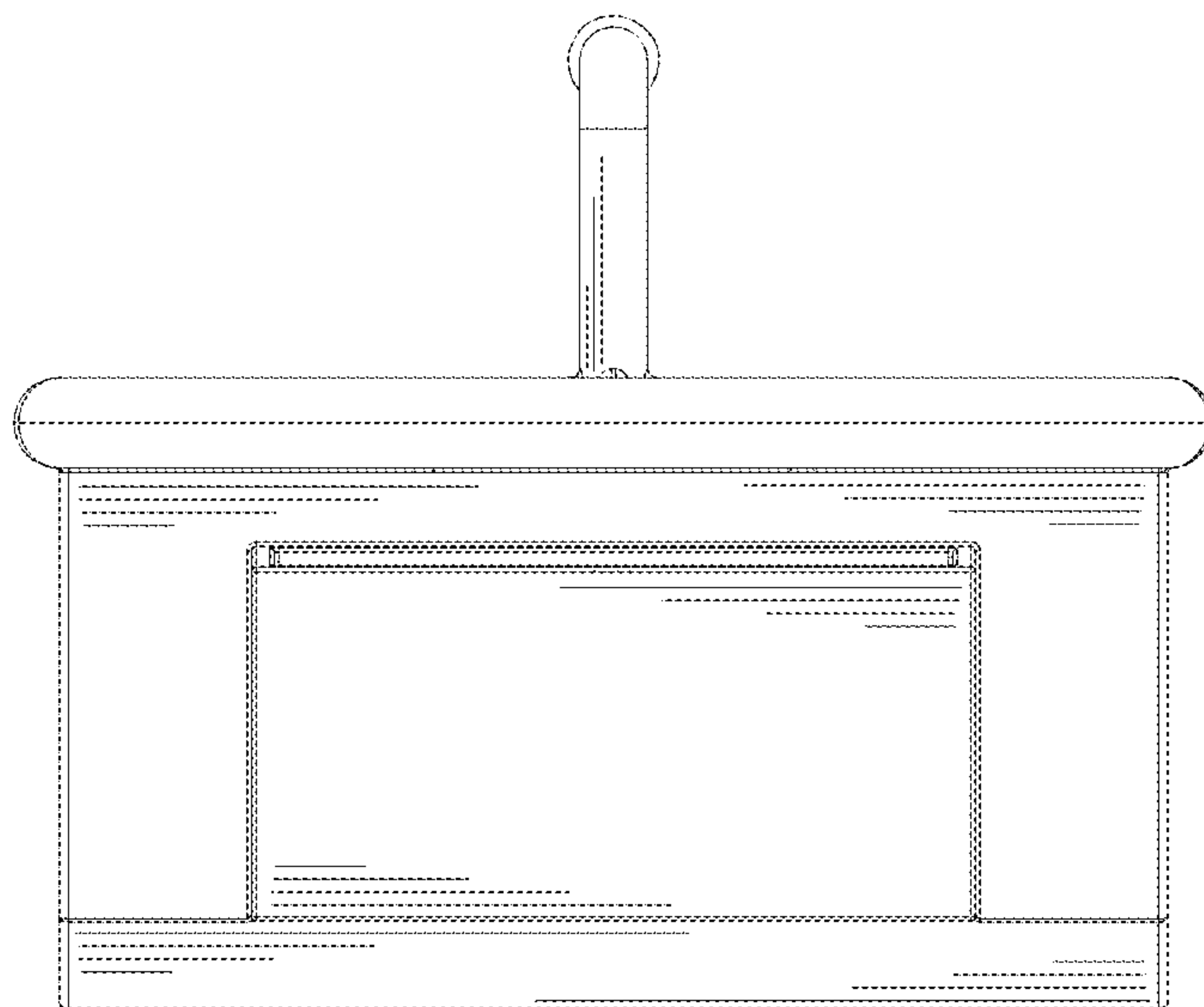


FIG. 4

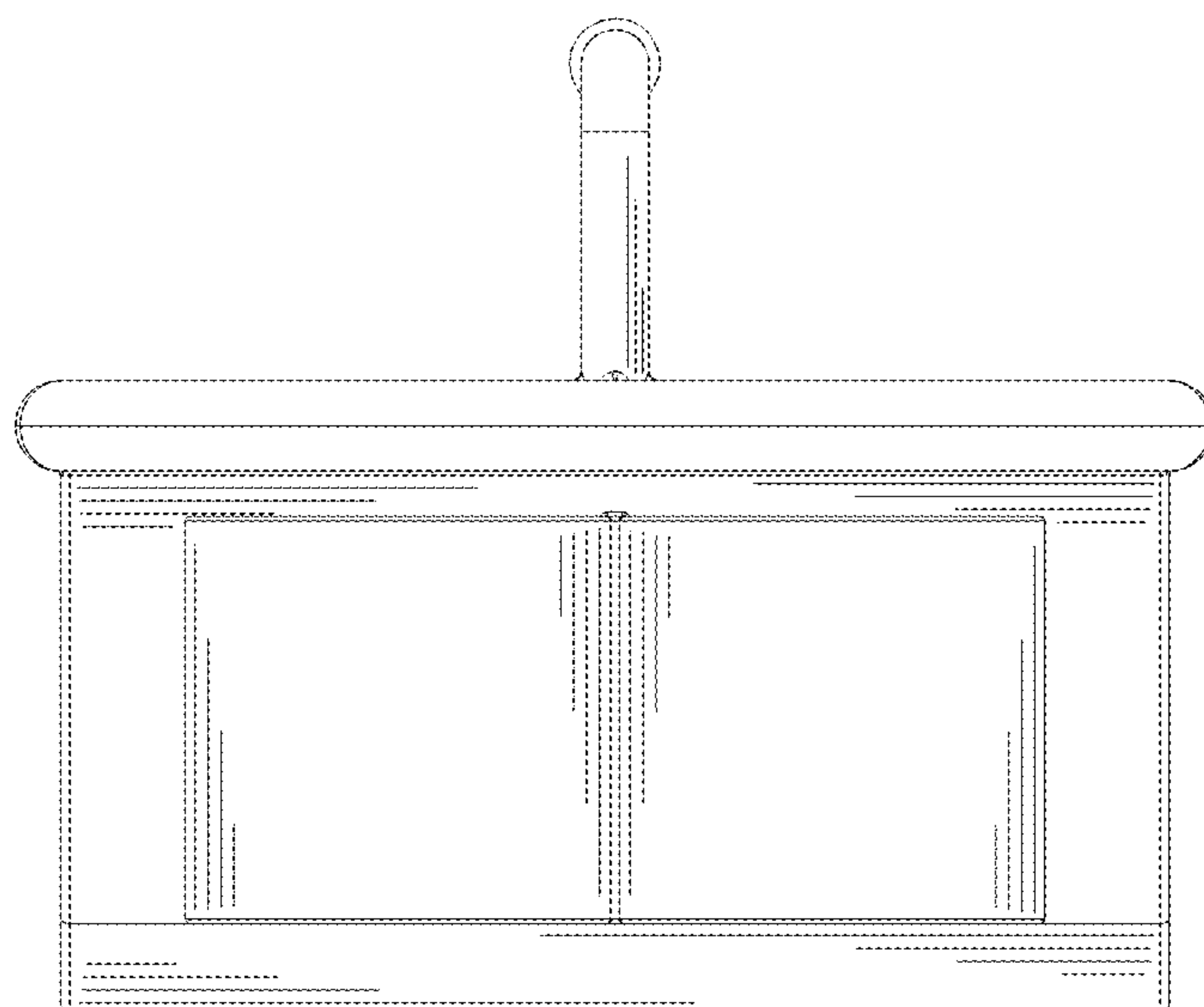


FIG. 5

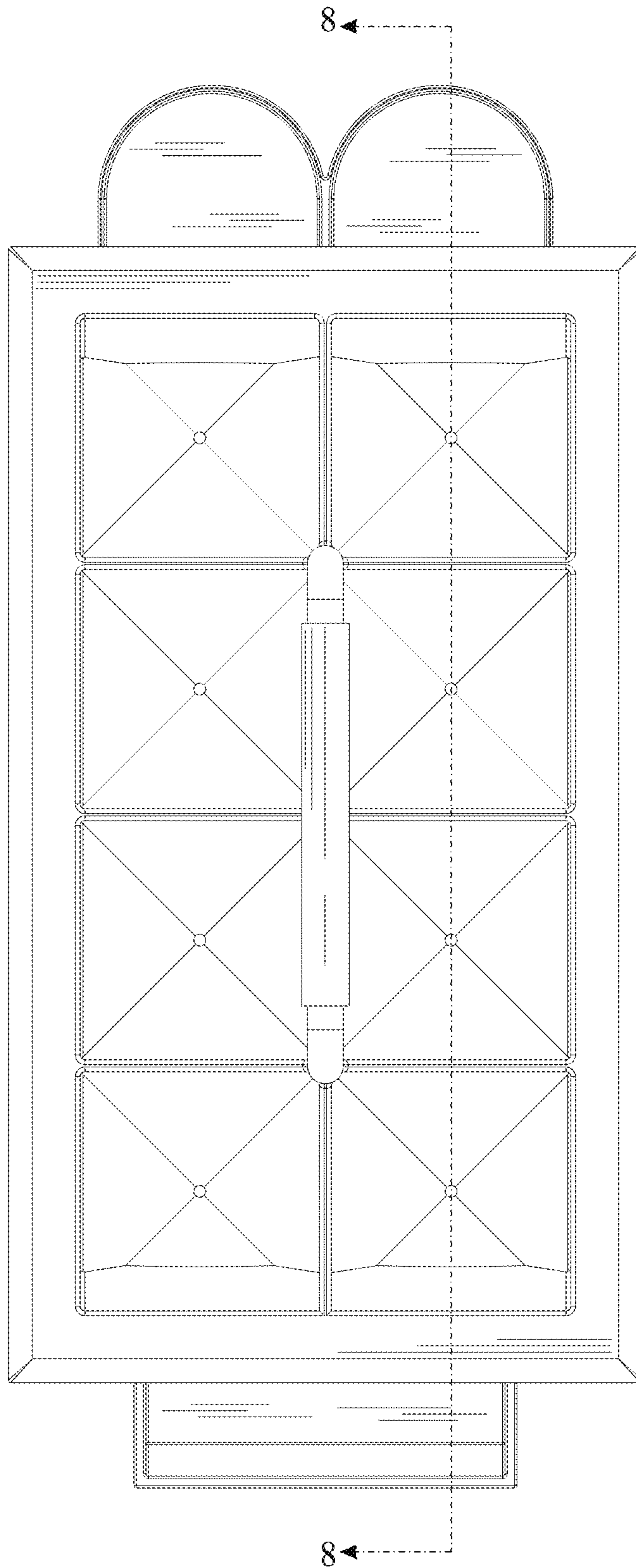


FIG. 6

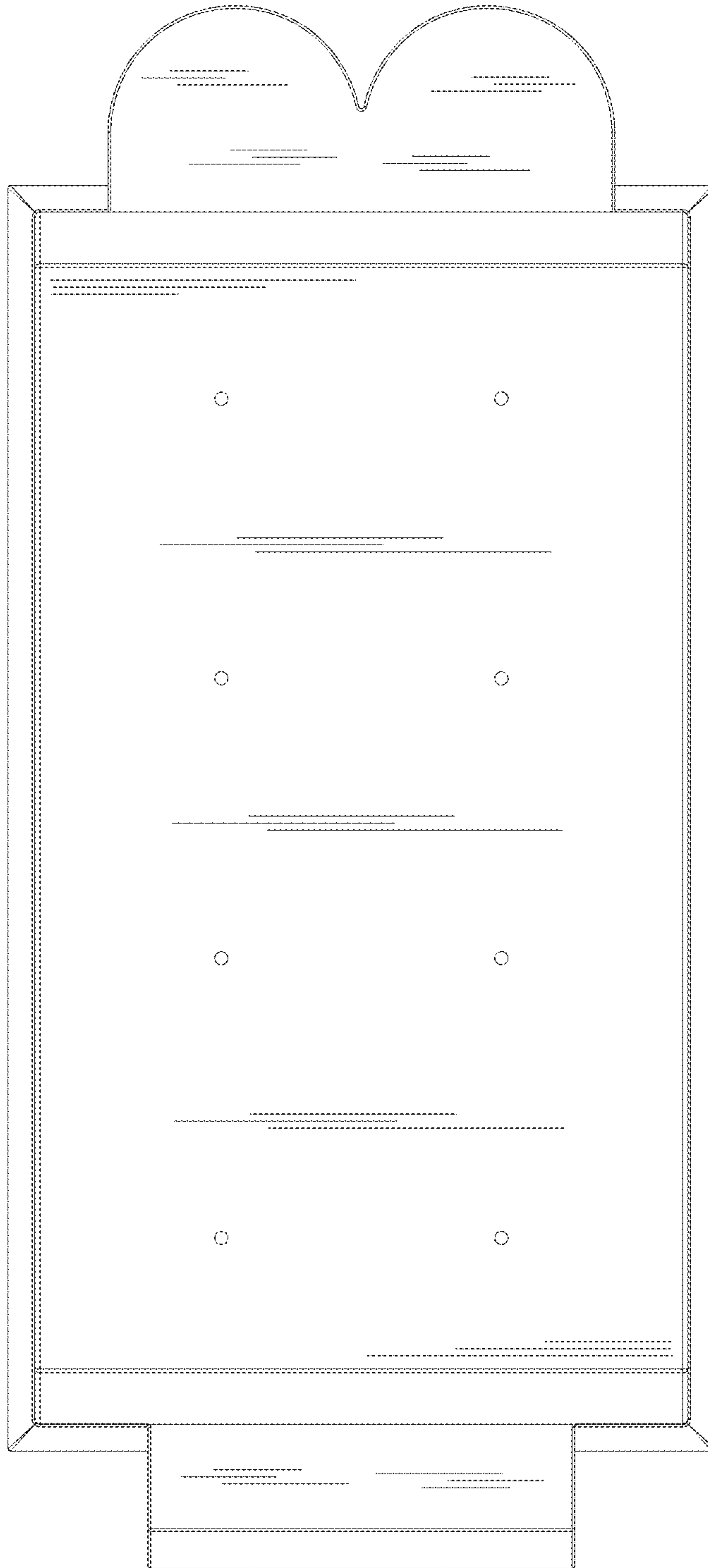


FIG. 7

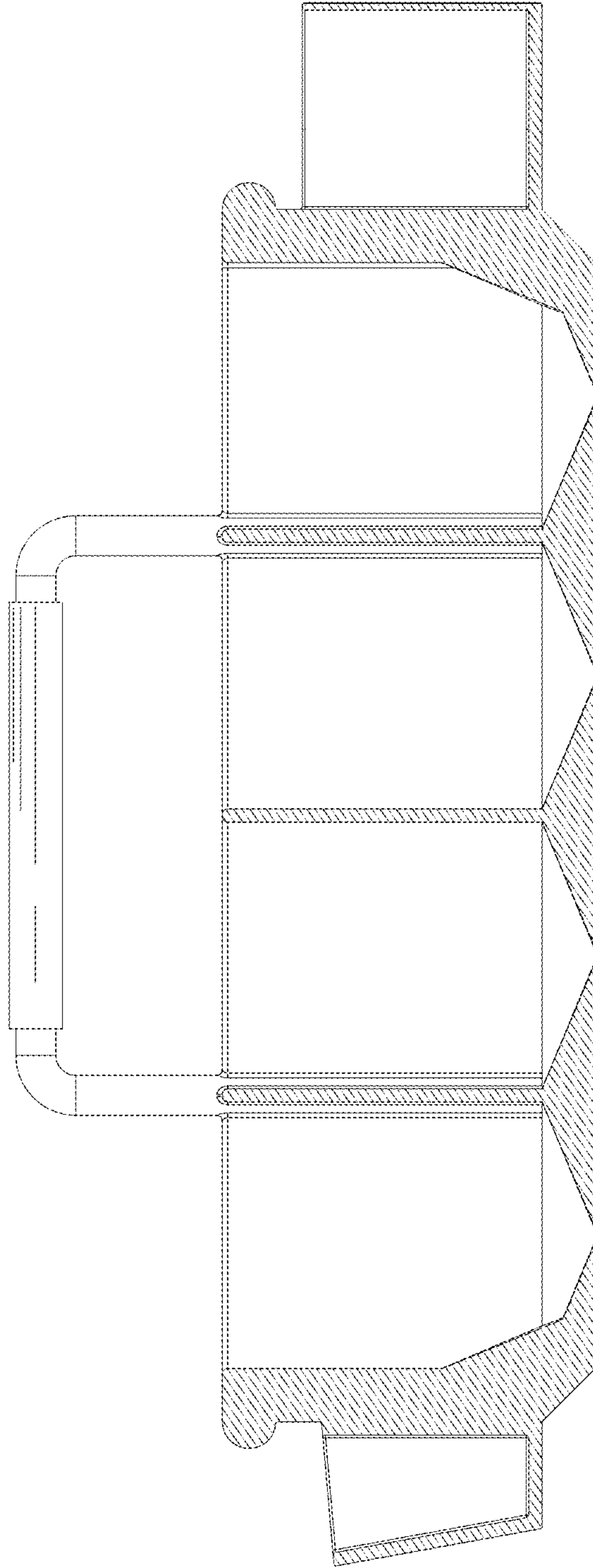


FIG. 8