



US00D795583S

(12) **United States Design Patent** (10) **Patent No.:** **US D795,583 S**
Diehl (45) **Date of Patent:** **** Aug. 29, 2017**

(54) **STORAGE BIN**

- (71) Applicant: **Koziol—Ideas for Friends GmbH**,
Erbach (DE)
- (72) Inventor: **Juergen Diehl**, Erbach (DE)
- (73) Assignee: **Koziol—Ideas for Friends GmbH**
(DE)
- (**) Term: **15 Years**
- (21) Appl. No.: **29/544,256**
- (22) Filed: **Nov. 2, 2015**
- (51) **LOC (10) Cl.** **09-04**
- (52) **U.S. Cl.**
USPC **D3/307; D32/37**
- (58) **Field of Classification Search**
USPC D3/304, 307, 309, 314; D7/586, 630;
D32/37; D19/75, 77, 81, 102, 107;
119/676; 206/507, 511; 211/79;
220/676, 694; 229/112; 280/33.998
CPC B65D 2501/24541; D06F 95/002
See application file for complete search history.

(56) **References Cited**

U.S. PATENT DOCUMENTS

3,186,586	A *	6/1965	Box	B65D 1/243
					206/508
4,995,525	A *	2/1991	Kehrer	B65D 25/102
					206/805
5,269,260	A *	12/1993	Farrell	A01K 13/001
					119/676
D517,264	S *	3/2006	Wheeler	D32/37
D657,562	S *	4/2012	McNamara	D3/304
D677,991	S *	3/2013	Chan	D7/500
8,602,423	B1 *	12/2013	Alexander	B62B 3/165
					280/30
D710,612	S *	8/2014	Kolano	D3/309
D732,827	S *	6/2015	Suomela	D3/304
D746,593	S *	1/2016	Kroll	D3/307
D777,434	S *	1/2017	Duvigneau	D3/307
D780,264	S *	2/2017	Greenspon	D19/90
2012/0118941	A1 *	5/2012	Wang	B65D 25/2852
					229/112

OTHER PUBLICATIONS

- “Canopy Faux Leather Tall Basket.” Found online Apr. 19, 2017 at www.walmart.com. Page dated Jun. 30, 2012. Retrieved from <URL:https://www.walmart.com/ip/Canopy-Faux-Leather-Tall-Tapered-Storage-Basket/17216051>.*
- “Storage Tote.” Found online Apr. 19, 2017 at www.wayfair.com. Page dated Apr. 1, 2015. Retrieved from <URL:https://www.wayfair.com/Sunbeam-Storage-Tote-SNB1158.html?refid=SBP.rBAZEVb77ucvQnWGzv57AmgdxEIPH0-asWt7IRQ-s2w>.*
- “Benson Canvas Storage Bin.” Found online Apr. 20, 2017 at www.allmodern.com. Page dated Aug. 16, 2014. Retrieved from <URL:https://www.allmodern.com/Benson-Canyas-Storage-Bin-VKGL1861.html>.*
- “Rotho Black Plastic basket.” Found online Apr. 20, 2017 at www.amazon.com. Page dated Jun. 29, 2012. Retrieved from <URL:https://www.amazon.co.uk/Rotho-Plastic-storage-29-5x21-6x13-5cm-EF250065/dp/B00SMKF3DE>.*

* cited by examiner

Primary Examiner — Caron D Veynar
Assistant Examiner — Katelin G Kloberg
 (74) *Attorney, Agent, or Firm* — Mayback & Hoffman, P.A.; Gregory L Mayback

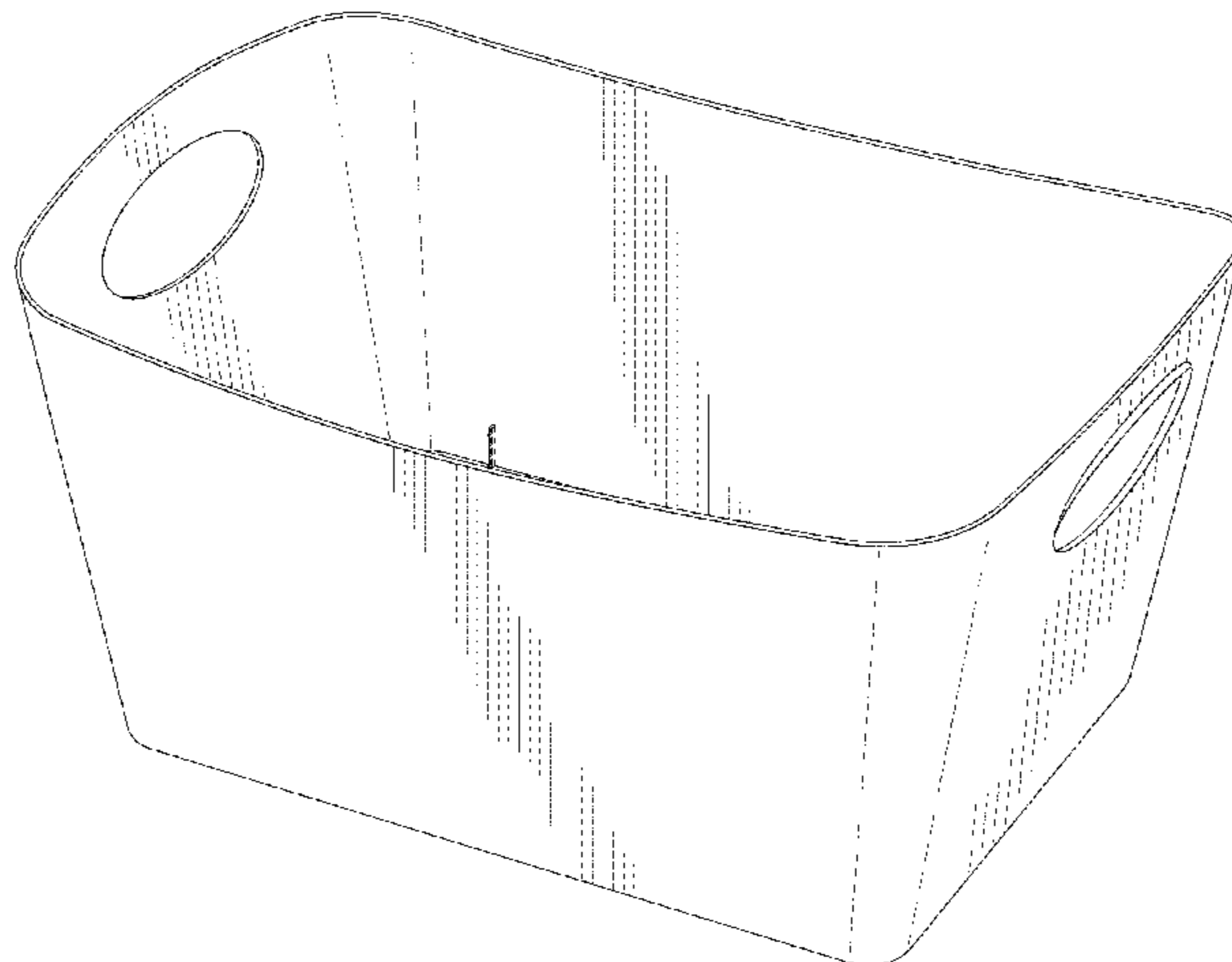
(57) **CLAIM**

The ornamental design for a storage bin, as shown and described.

DESCRIPTION

FIG. 1 is a front perspective view showing my new design of a storage bin;
 FIG. 2 is a front elevational view of the storage bin of FIG. 1, the rear elevational view being a mirror image thereof;
 FIG. 3 is a left side elevational view of the storage bin of FIG. 1, the right side elevational view being a mirror image thereof;
 FIG. 4 is a bottom plan view of the storage bin of FIG. 1; and,
 FIG. 5 is a top plan view of the storage bin of FIG. 1.

1 Claim, 4 Drawing Sheets



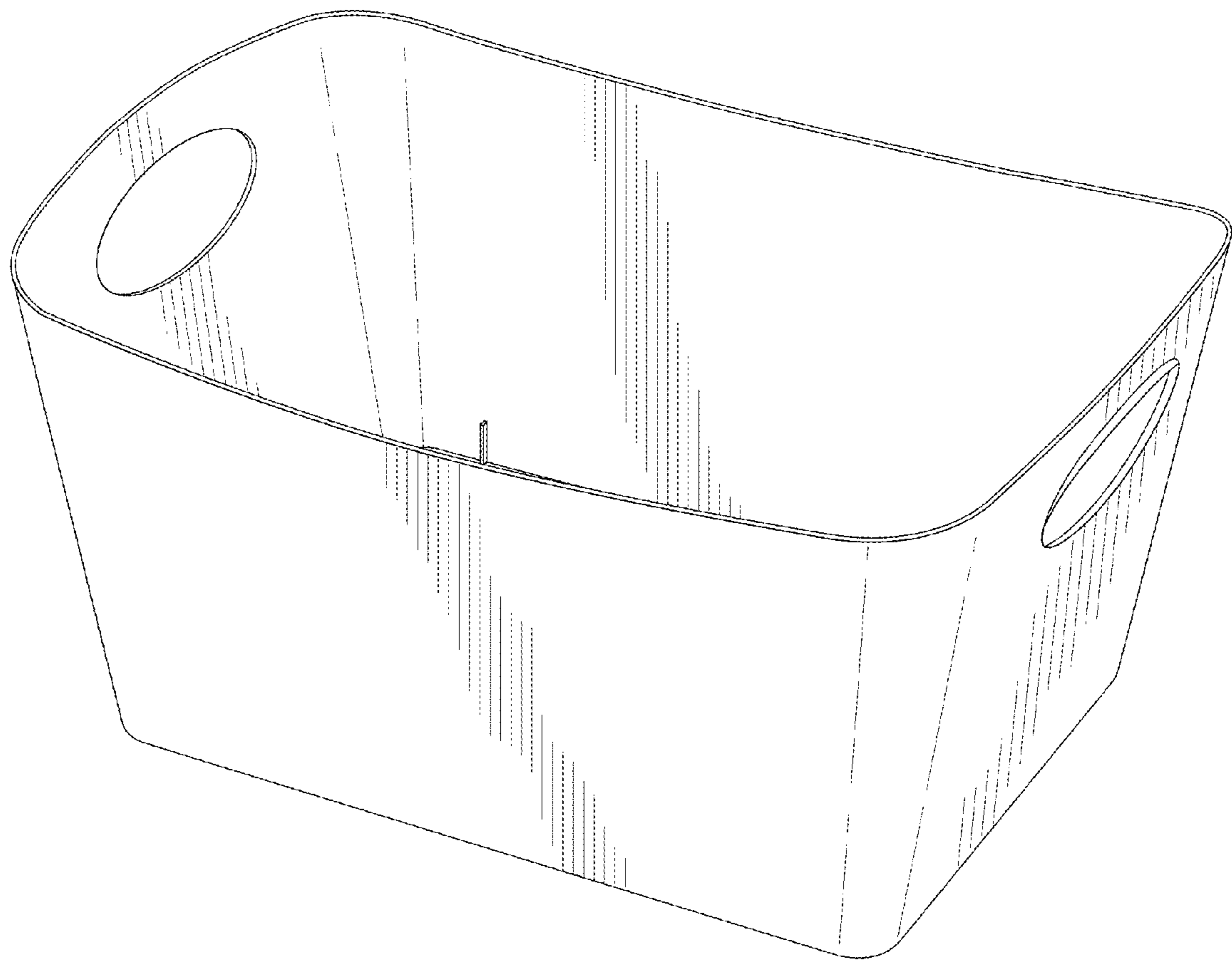


FIG. 1

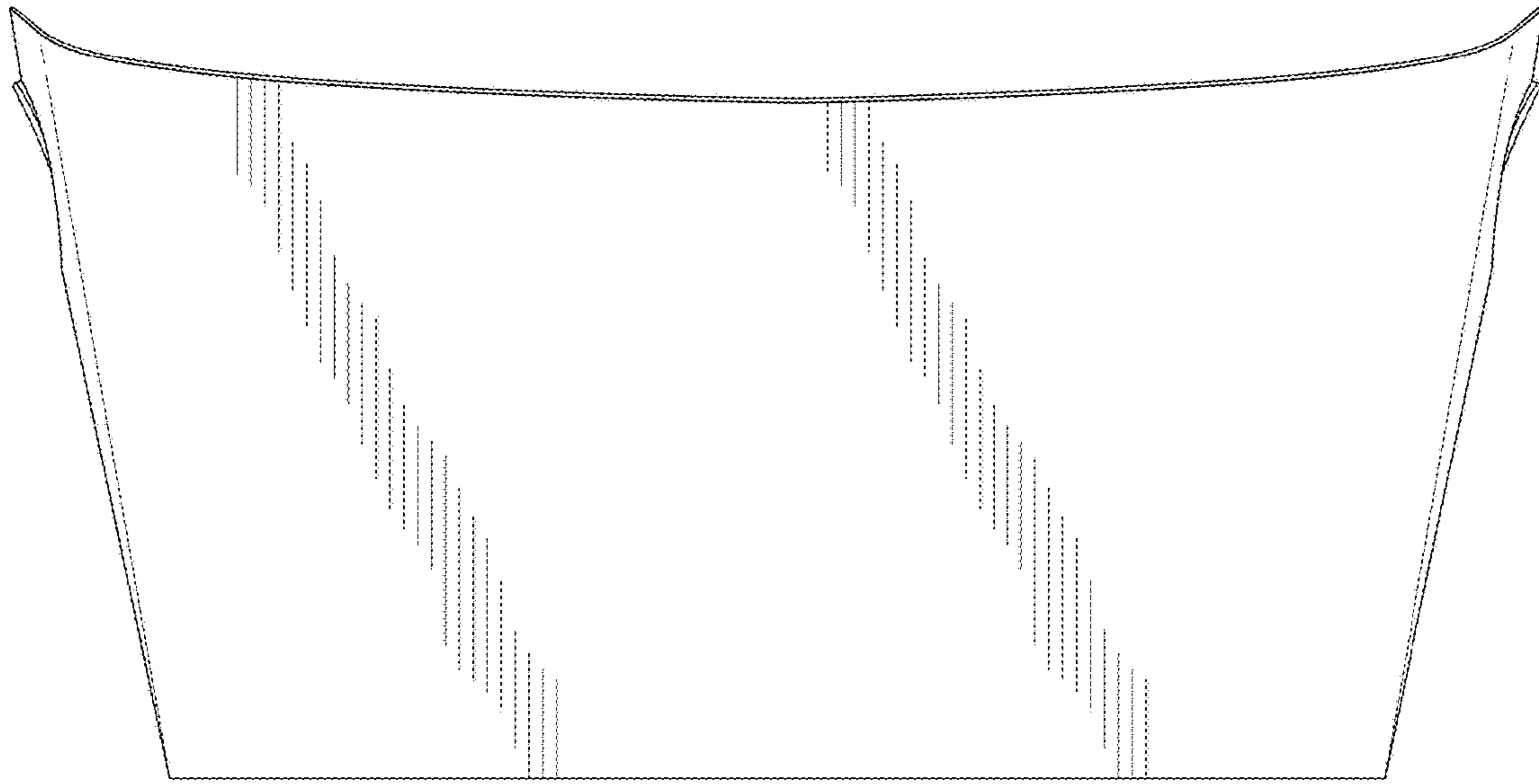


FIG. 2

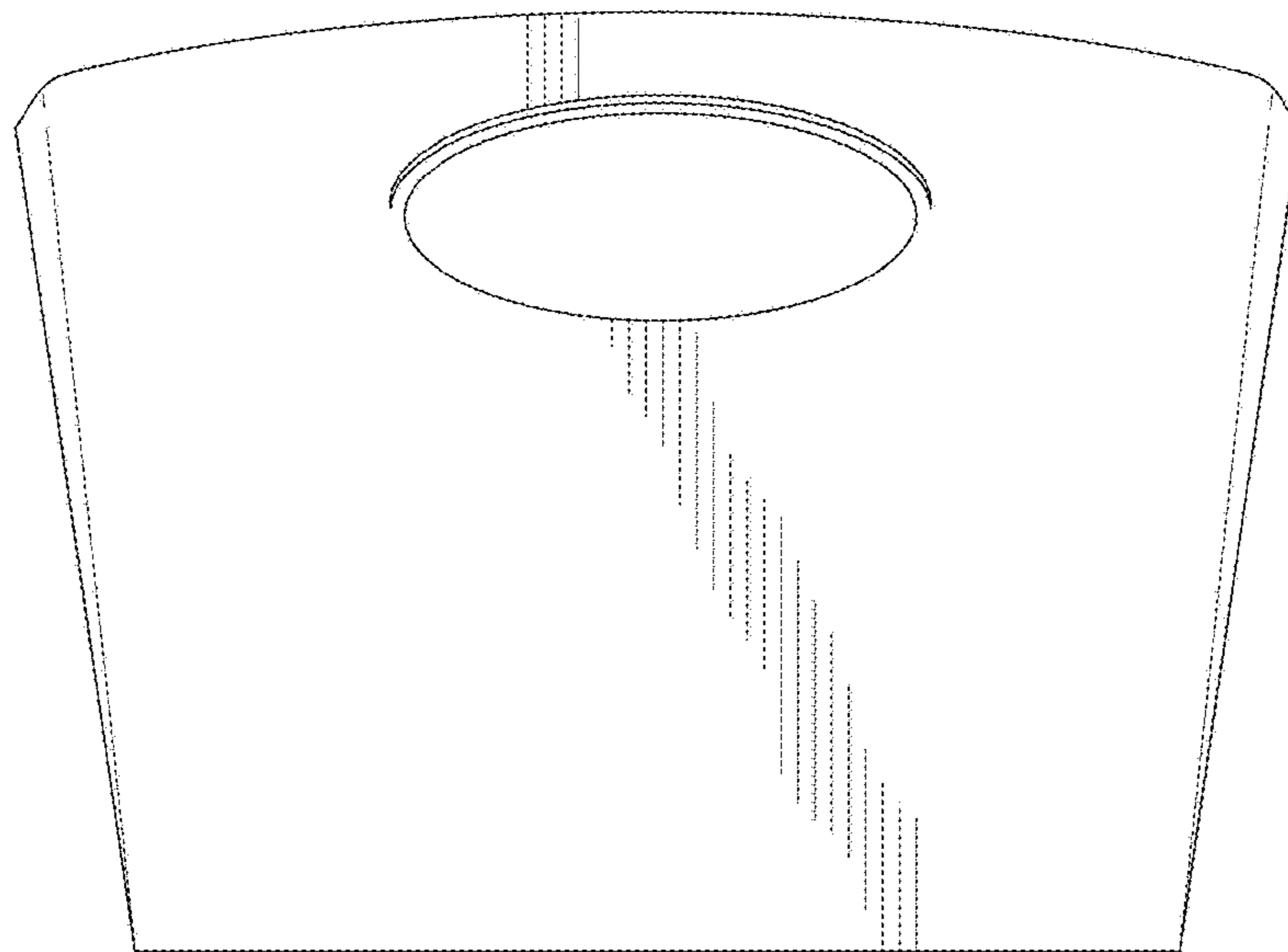


FIG. 3

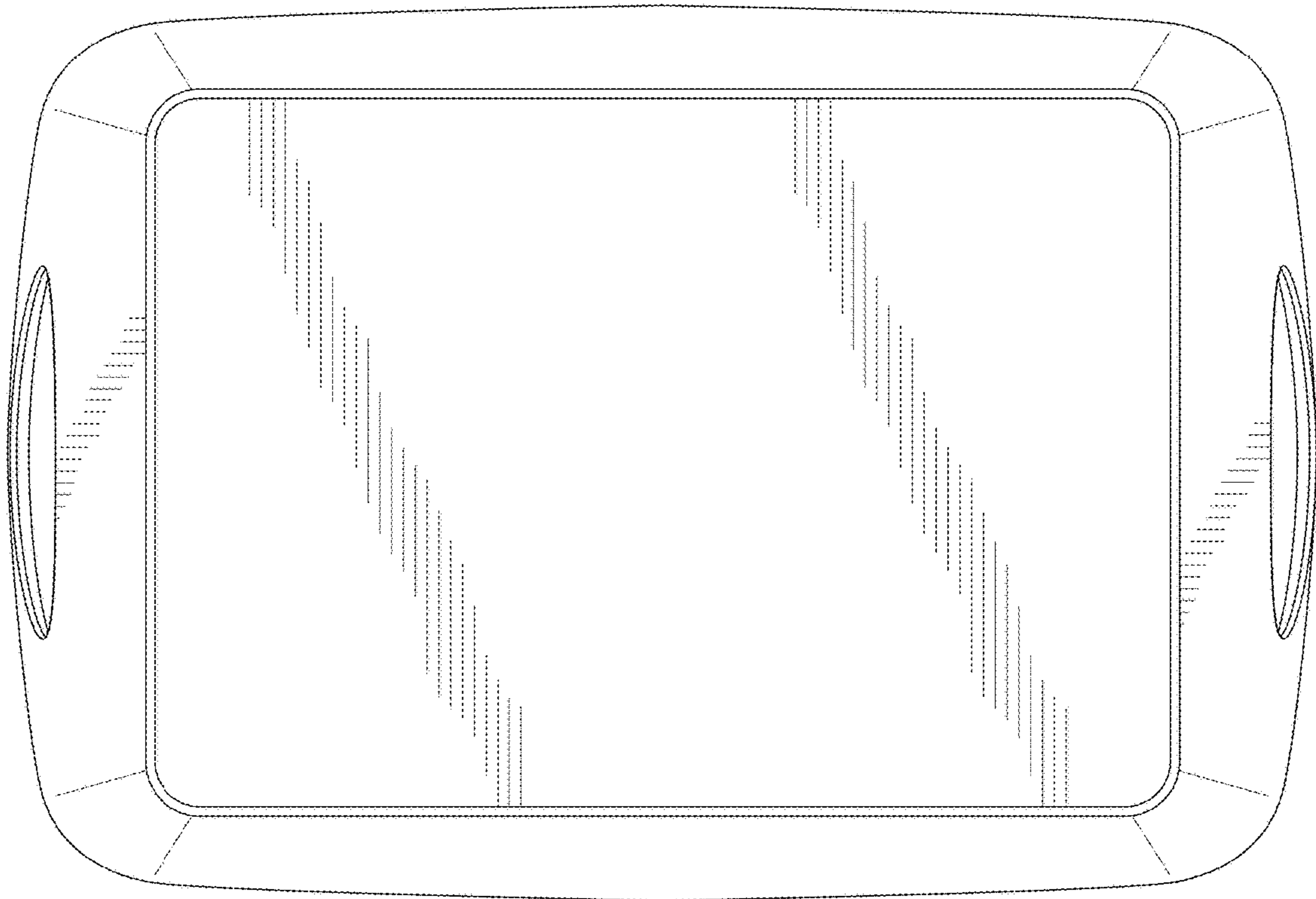


FIG. 4

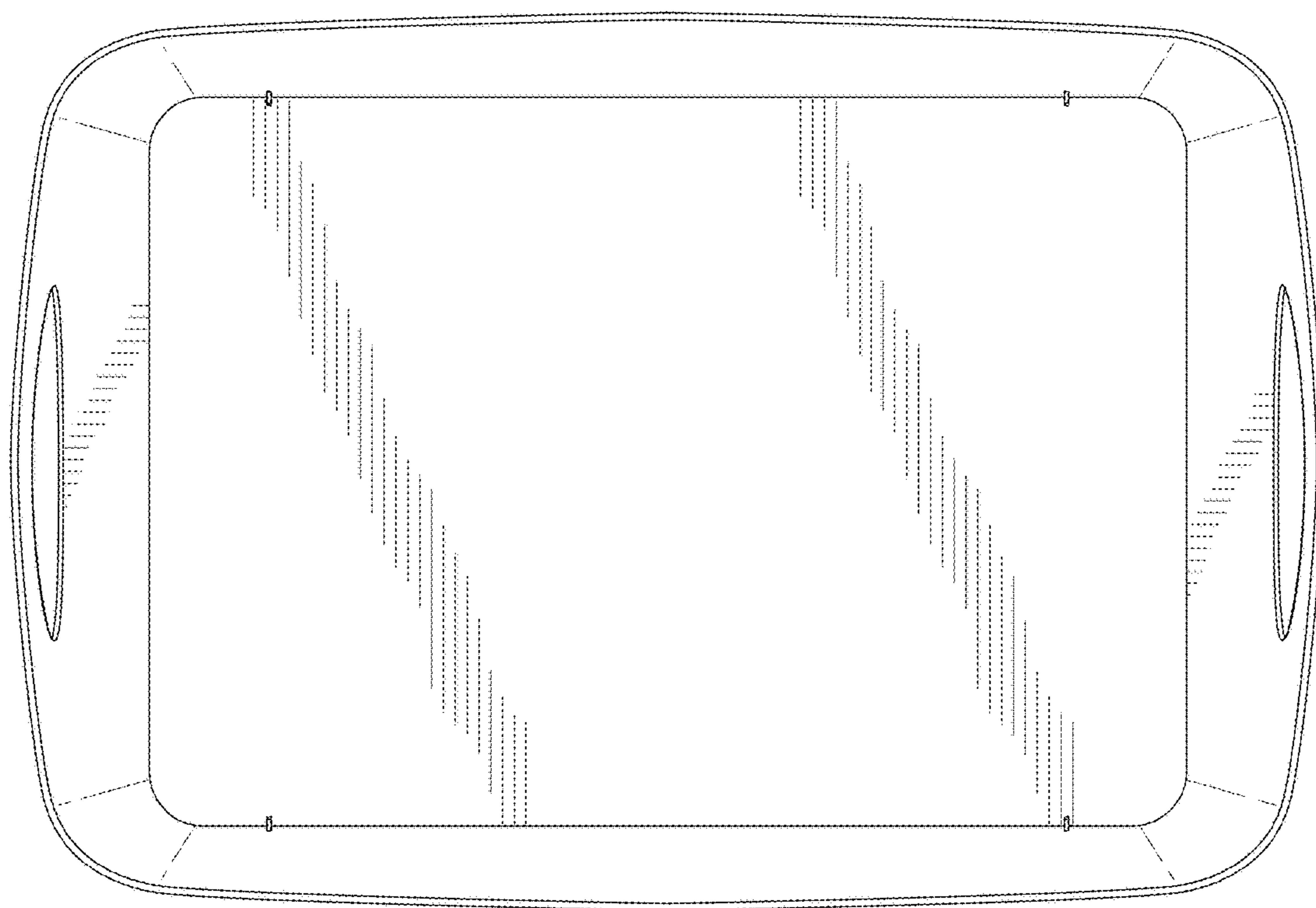


FIG. 5