



US00D795582S

(12) **United States Design Patent**
Herman

(10) **Patent No.:** **US D795,582 S**

(45) **Date of Patent:** **** Aug. 29, 2017**

(54) **STORAGE DEVICE**

(71) Applicant: **Michael S. Herman**, Lincolnwood, IL
(US)

(72) Inventor: **Michael S. Herman**, Lincolnwood, IL
(US)

(**) Term: **15 Years**

(21) Appl. No.: **29/577,446**

(22) Filed: **Sep. 13, 2016**

(51) **LOC (10) Cl.** **03-01**

(52) **U.S. Cl.**
USPC **D3/304**

(58) **Field of Classification Search**
USPC D2/999; D3/201, 238, 270, 271.4, 304,
D3/308, 314, 328
CPC A45C 15/00; B65D 1/00
See application file for complete search history.

(56) **References Cited**

U.S. PATENT DOCUMENTS

D245,814 S *	9/1977	Ross	D3/238
D263,648 S *	4/1982	Schimmel	D3/238
D267,369 S *	12/1982	Blanchard	D2/738
D316,328 S *	4/1991	Willoughby	D3/238
D335,026 S *	4/1993	Cape	D3/238
D370,121 S *	5/1996	Chabot	D3/234
D413,437 S *	9/1999	Nickolich	D3/238
D518,634 S *	4/2006	Caporale	D3/238

D531,794 S *	11/2006	Clanton	D3/238
D548,958 S *	8/2007	Ballman	D3/218
D607,341 S *	1/2010	Blinderman	D9/631
D611,835 S *	3/2010	Chou Huang	D9/631
D661,464 S *	6/2012	Wilson	D2/738
D690,101 S *	9/2013	Matthews	D3/234
D701,676 S *	4/2014	Savage	D2/738
D778,535 S *	2/2017	Lomax	D2/731
D778,539 S *	2/2017	Kandarian	D2/742
D779,158 S *	2/2017	Lomax	D2/731
D783,933 S *	4/2017	Darmour	D2/731

* cited by examiner

Primary Examiner — Kelley Donnelly

(57) **CLAIM**

The ornamental design for a storage device, as shown and described.

DESCRIPTION

FIG. 1 is a front perspective view of a storage device showing the new design in accordance with an aspect of the subject technology;

FIG. 2 is a front perspective view of the storage device of FIG. 1;

FIG. 3 is a rear view of the storage device of FIG. 1;

FIG. 4 is a right side view of the storage device of FIG. 1;

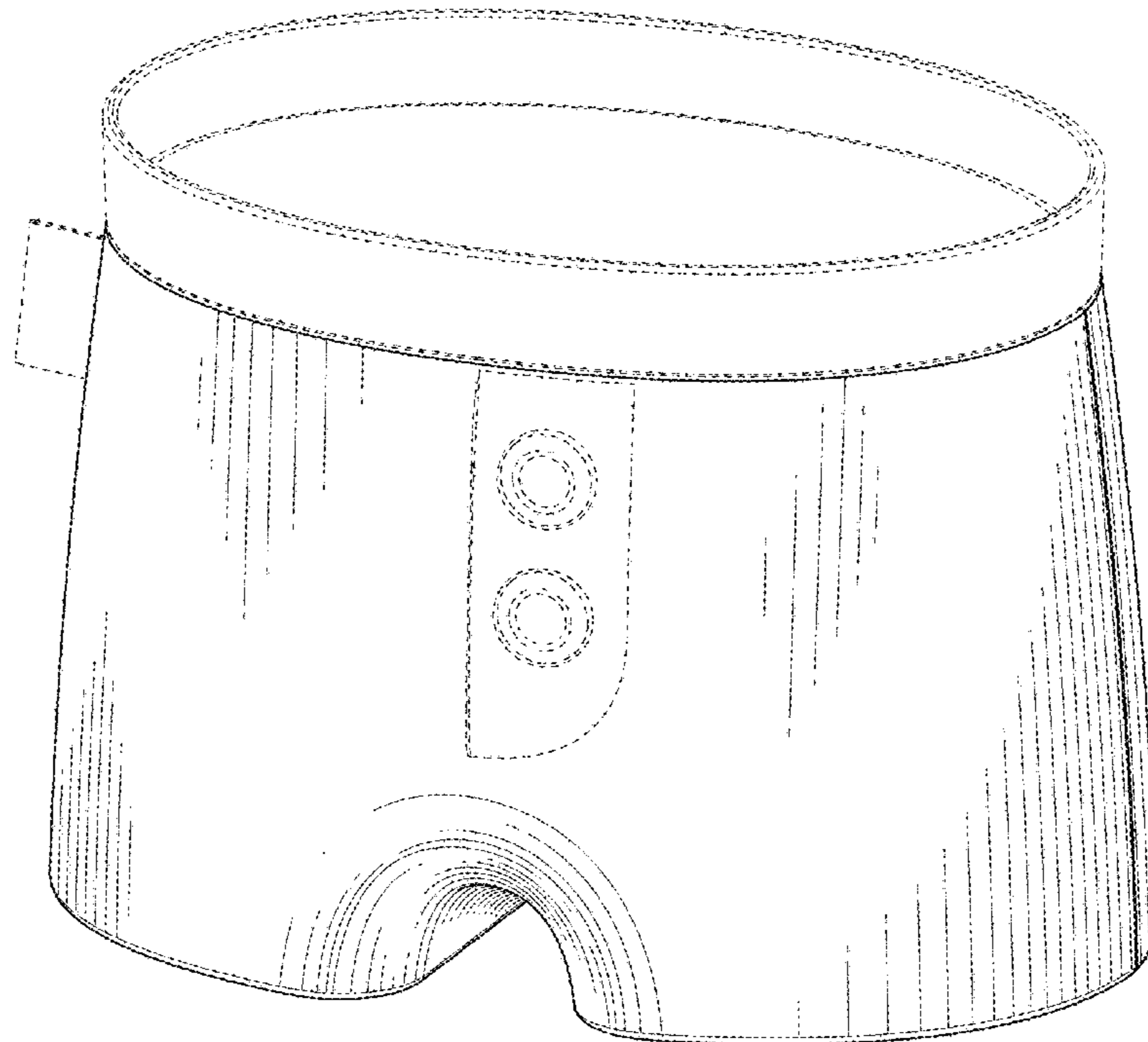
FIG. 5 is a left side view of the storage device of FIG. 1;

FIG. 6 is a top view of the storage device of FIG. 1; and,

FIG. 7 is a bottom view of the storage device of FIG. 1.

The broken lines shown represent unclaimed subject matter and form no part of the claimed design.

1 Claim, 7 Drawing Sheets



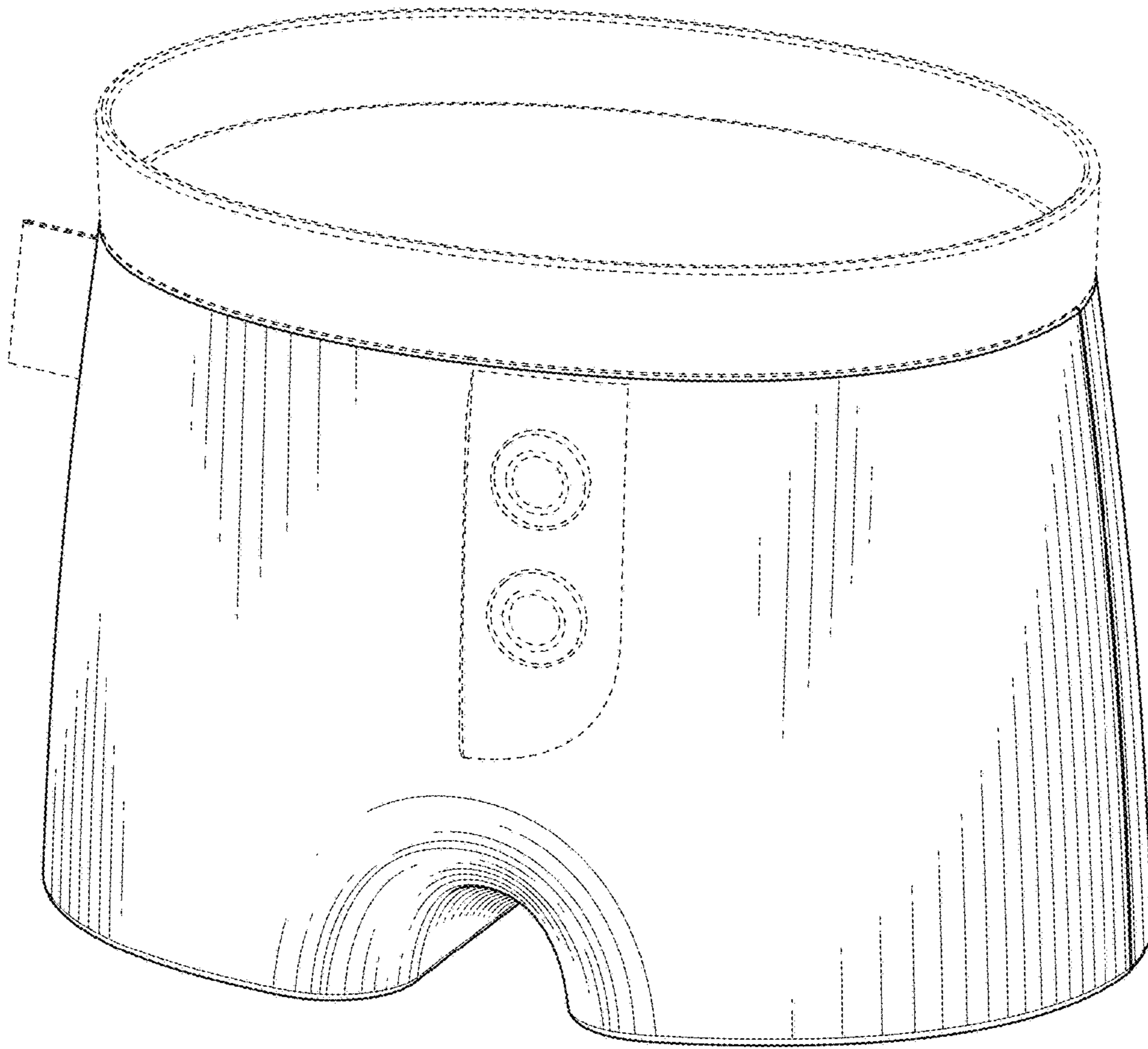


FIG. 1

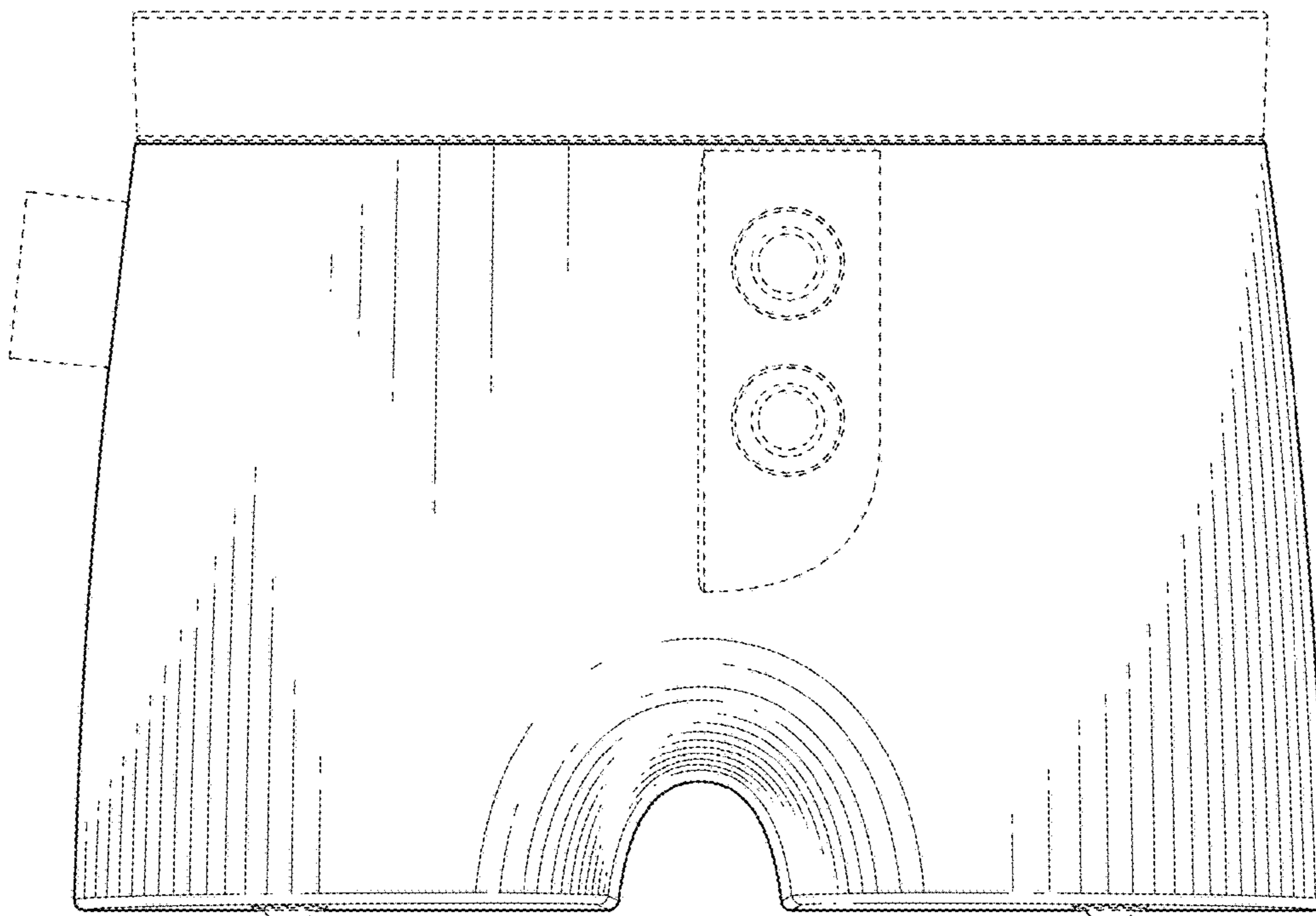


FIG. 2

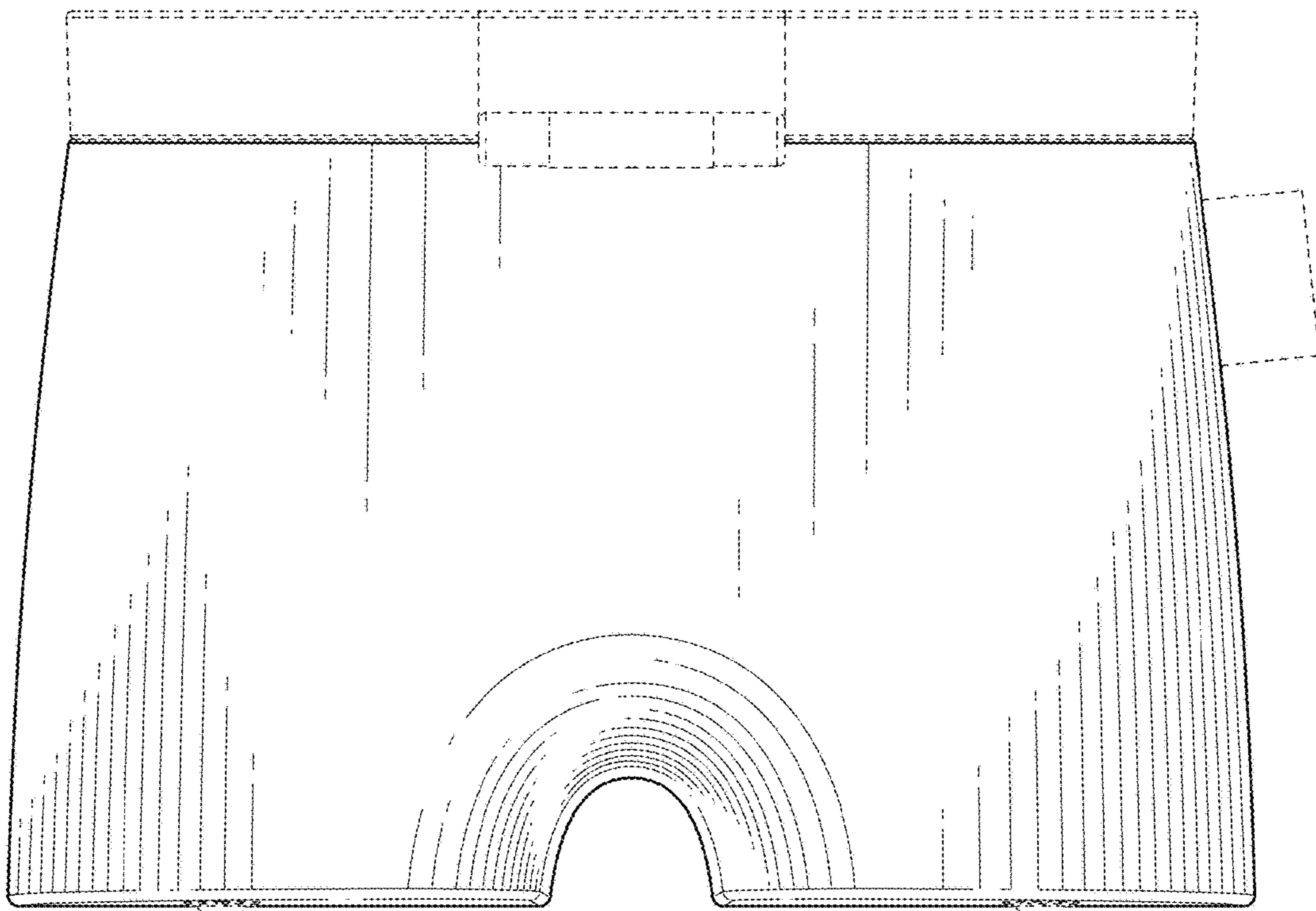


FIG. 3

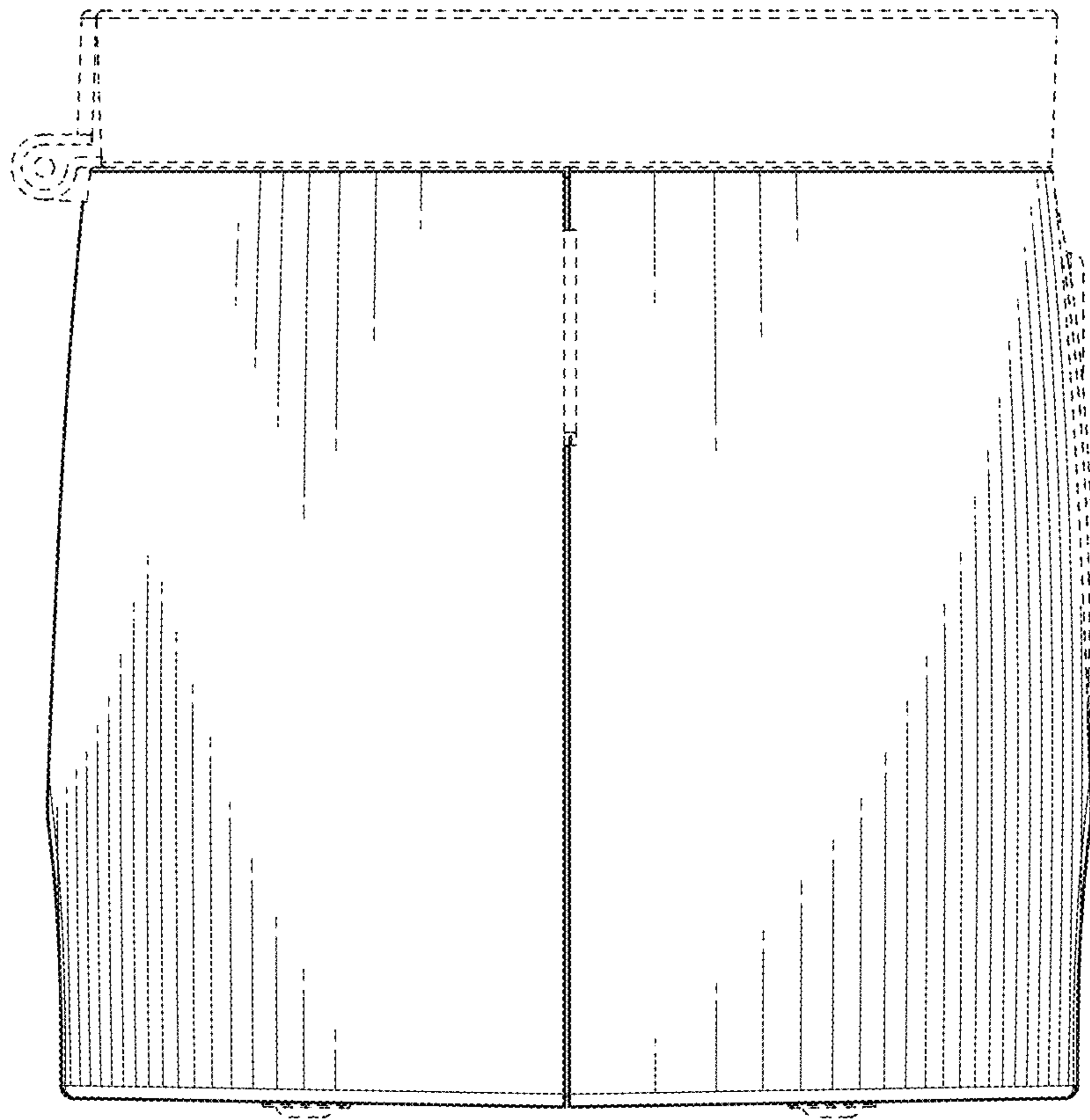


FIG. 4

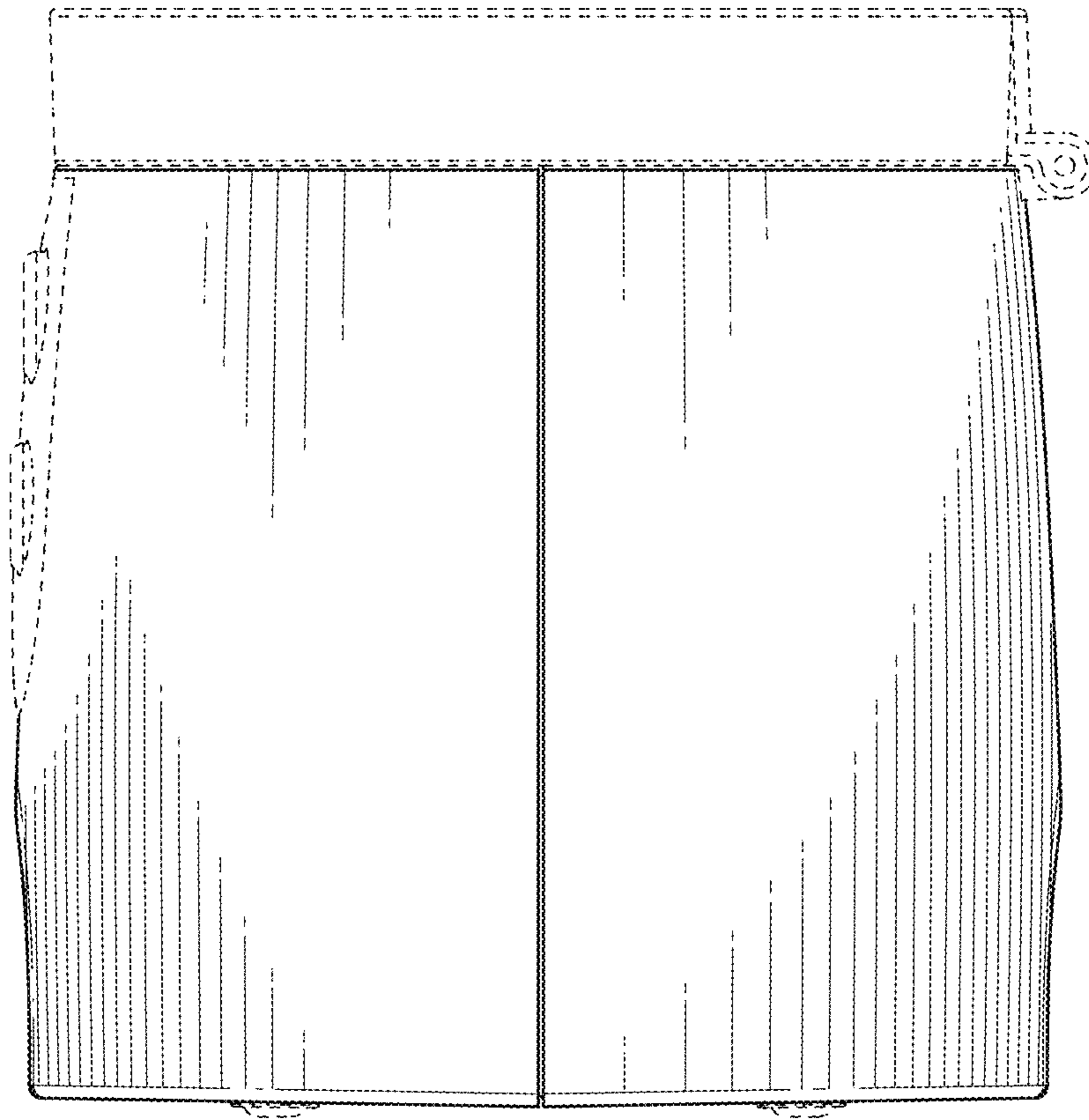


FIG. 5

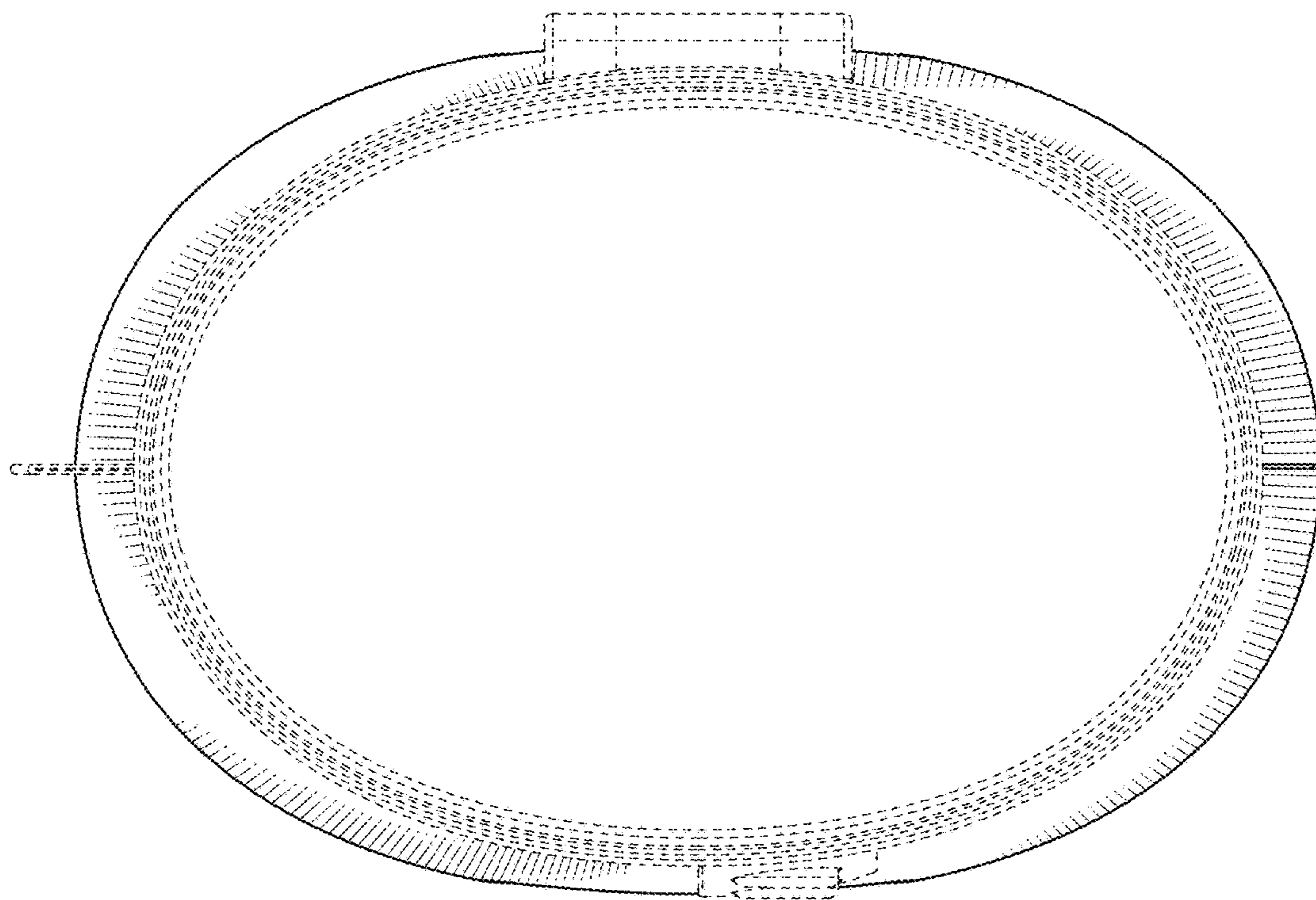


FIG. 6

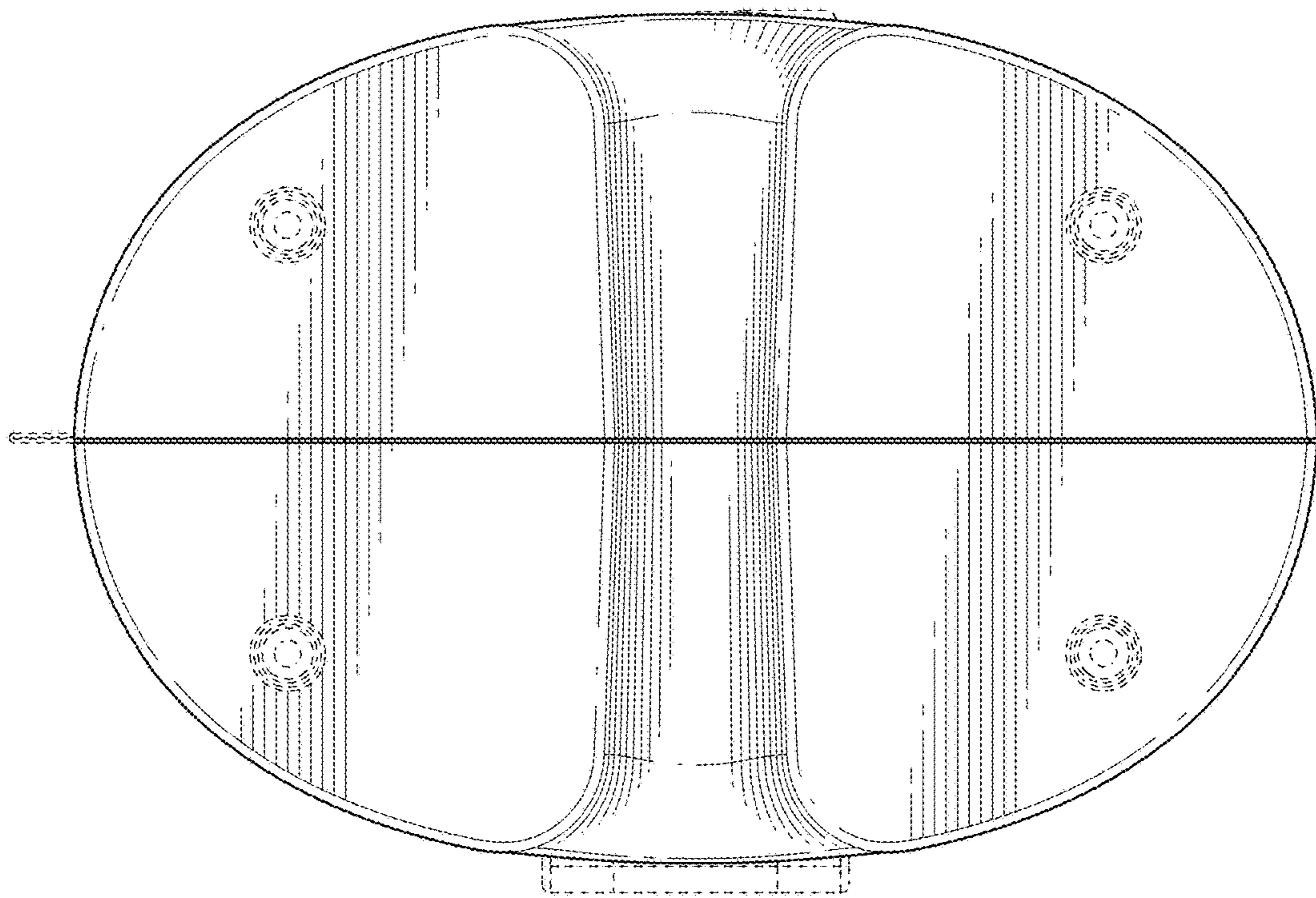


FIG. 7