



US00D795580S

(12) **United States Design Patent** (10) **Patent No.:** **US D795,580 S**
Grimmer et al. (45) **Date of Patent:** **** Aug. 29, 2017**

(54) **REMOVABLE ORGANIZER**

(71) Applicant: **DayMen Canada Acquisition ULC**,
Vancouver (CA)
(72) Inventors: **Tim Grimmer**, Forest Knolls, CA
(US); **Luis Quehl**, San Anselmo, CA
(US); **Kevin Crandall**, Santa Rosa, CA
(US); **Ian Hughes**, Cotati, CA (US)
(73) Assignee: **Daymen Canada Acquisition ULC**,
Vancouver (CA)

(**) Term: **15 Years**

(21) Appl. No.: **29/562,702**

(22) Filed: **Apr. 28, 2016**

(51) **LOC (10) Cl.** **03-01**

(52) **U.S. Cl.**
USPC **D3/299**

(58) **Field of Classification Search**
USPC D3/247, 249, 299
CPC A45C 1/06; A45C 3/08; A45D 15/003;
A45D 5/006
See application file for complete search history.

(56) **References Cited**

U.S. PATENT DOCUMENTS

| | | | | | |
|------------|---|---------|--------------|-------|--------|
| D312,351 S | * | 11/1990 | Bishop | | D3/251 |
| D456,604 S | * | 5/2002 | Plummer | | D3/233 |
| D681,949 S | * | 5/2013 | Kershenstein | | D3/249 |
| D772,569 S | * | 11/2016 | Tappeiner | | D3/247 |

* cited by examiner

Primary Examiner — Holly Baynham

(74) *Attorney, Agent, or Firm* — Medler Ferro
Woodhouse & Mills PLLC

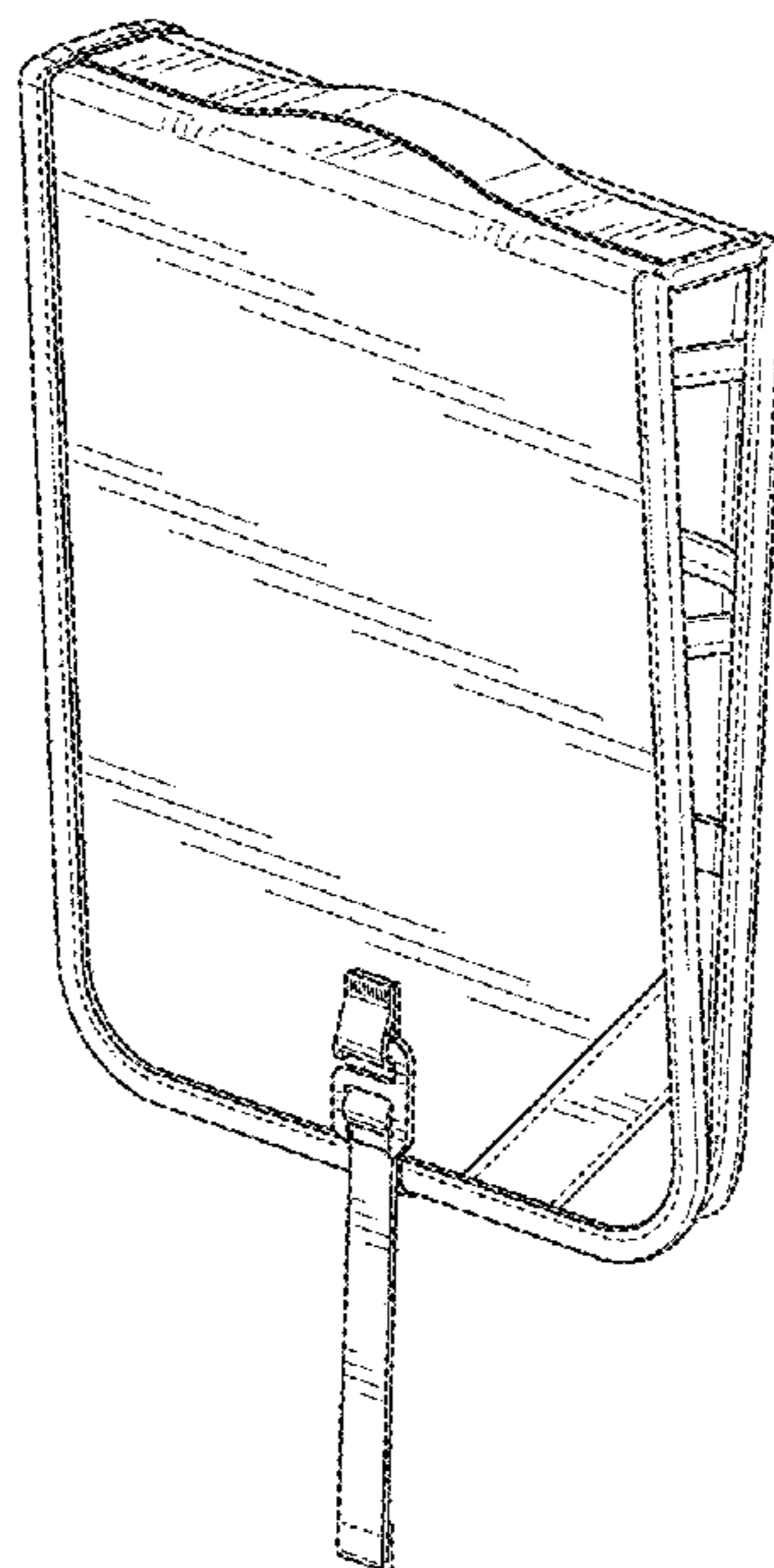
(57) **CLAIM**

The ornamental design for a removable organizer, as shown
and described.

DESCRIPTION

FIG. 1 is a front, perspective view of a removable organizer showing our new design in a closed configuration; FIG. 2 is a right side view of the removable organizer of FIG. 1 in the closed configuration. FIG. 3 is a front view of the removable organizer of FIG. 1 in the closed configuration. FIG. 4 is a left side view of the removable organizer of FIG. 1 in the closed configuration. FIG. 5 is a rear view of the removable organizer of FIG. 1 in the closed configuration. FIG. 6 is a top view of the removable organizer of FIG. 1 in the closed configuration. FIG. 7 is a bottom view of the removable organizer of FIG. 1 in the closed configuration. FIG. 8 is a rear perspective view of the removable organizer of FIG. 1 in an open configuration. FIG. 9 is a front perspective view of the removable organizer of FIG. 1 in the open configuration. FIG. 10 is a left side view of the removable organizer of FIG. 1 in the open configuration. FIG. 11 is a rear view of the removable organizer of FIG. 1 in the open configuration. FIG. 12 is a right side view of the removable organizer of FIG. 1 in the open configuration. FIG. 13 is a front view of the removable organizer of FIG. 1 in the open configuration. FIG. 14 is a top view of the removable organizer of FIG. 1 in the open configuration; and, FIG. 15 is a bottom view of the removable organizer of FIG. 1 in the open configuration. The broken lines showing stitching are part of the claimed design.

1 Claim, 10 Drawing Sheets



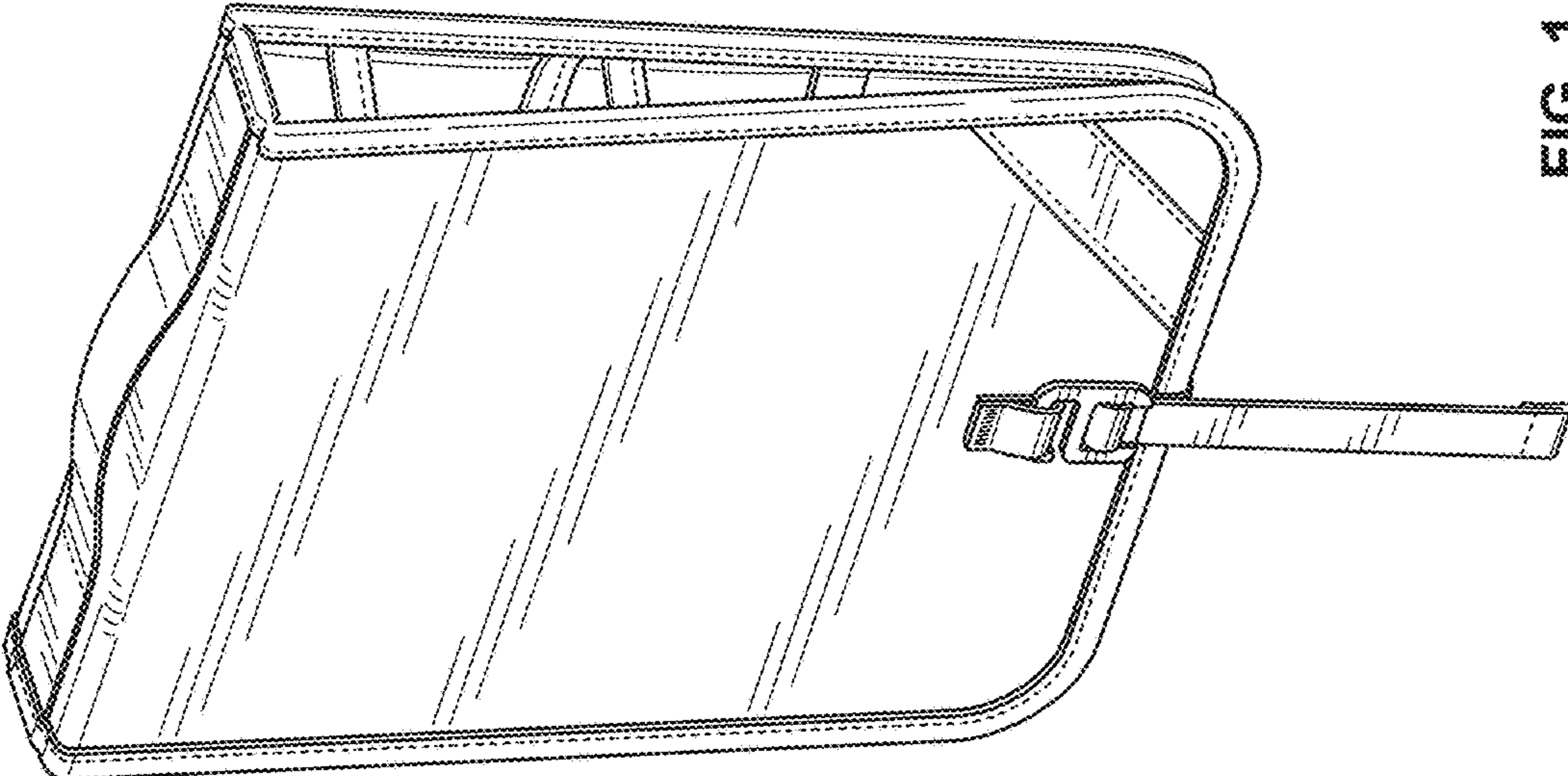


FIG. 1

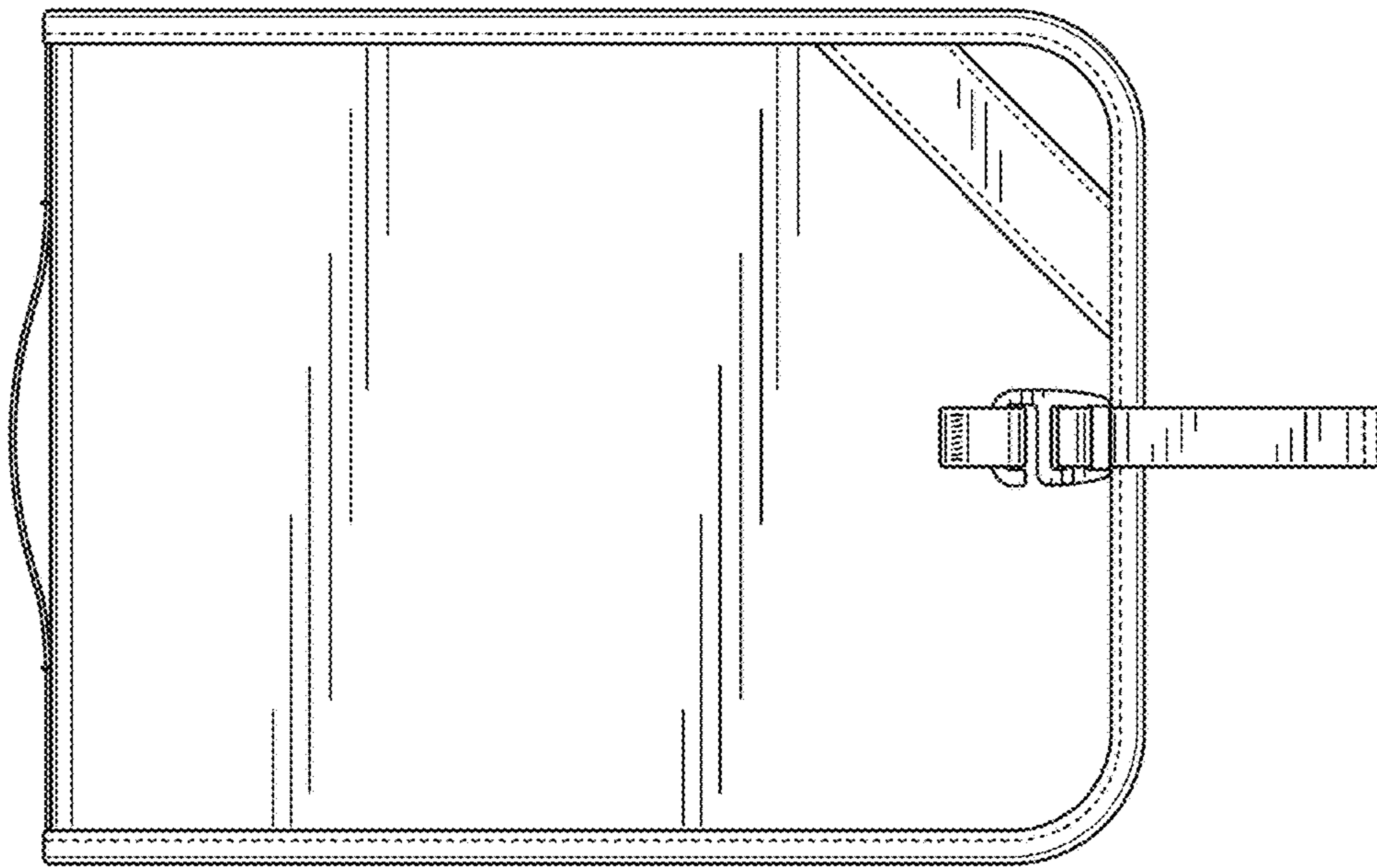


FIG. 3

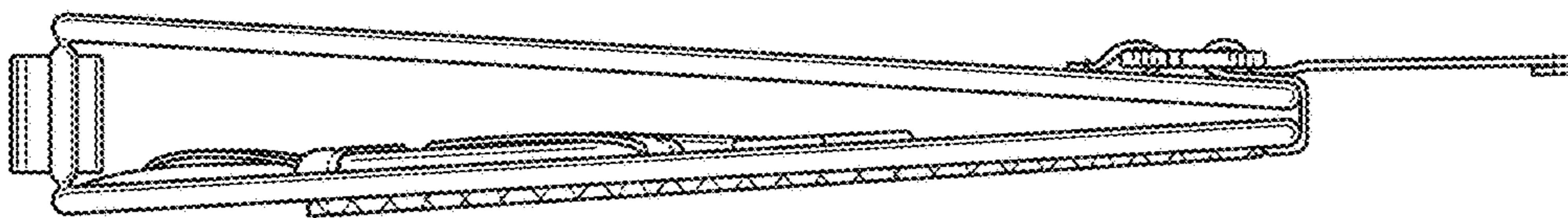


FIG. 2

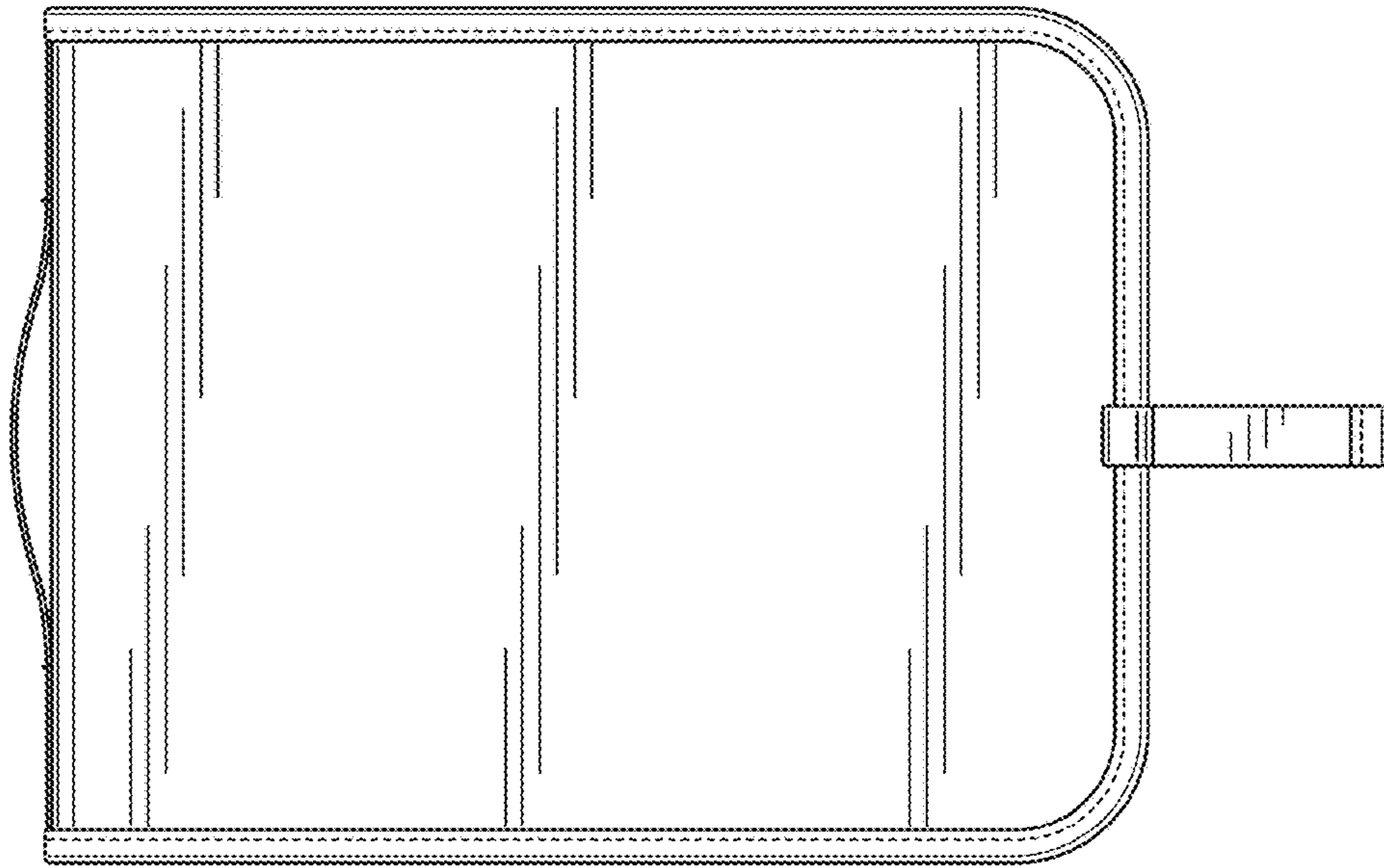


FIG. 5

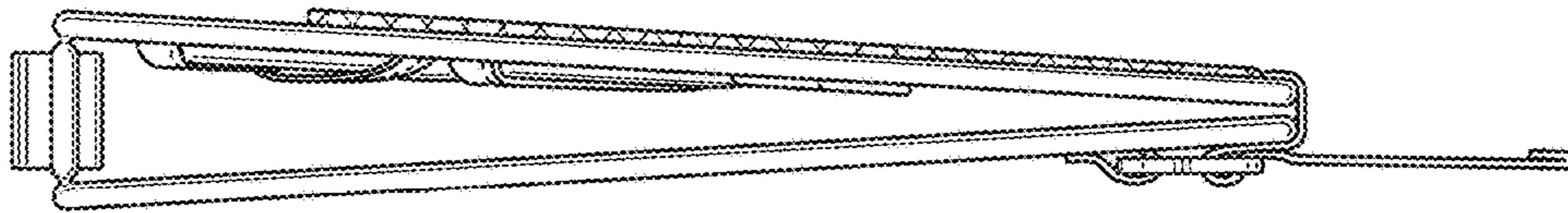


FIG. 4

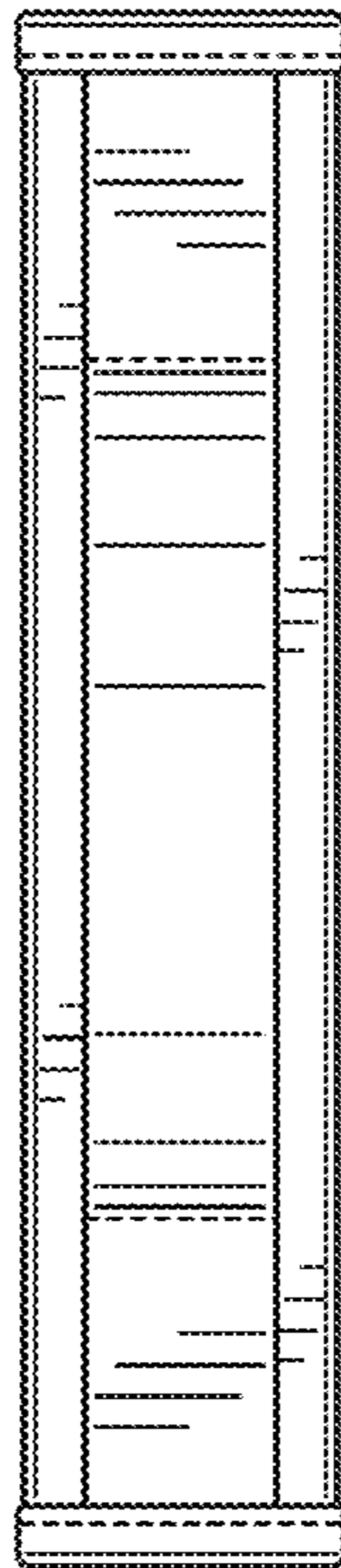


FIG. 6

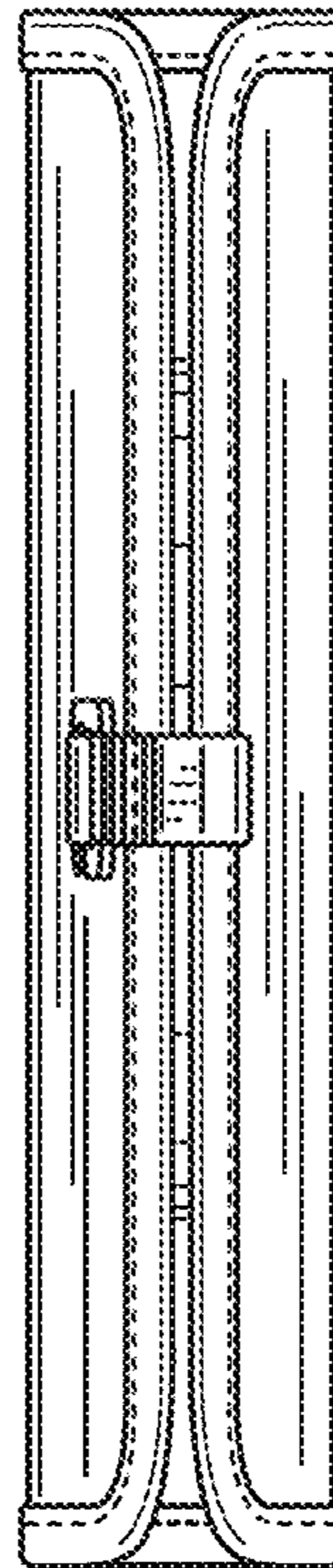


FIG. 7

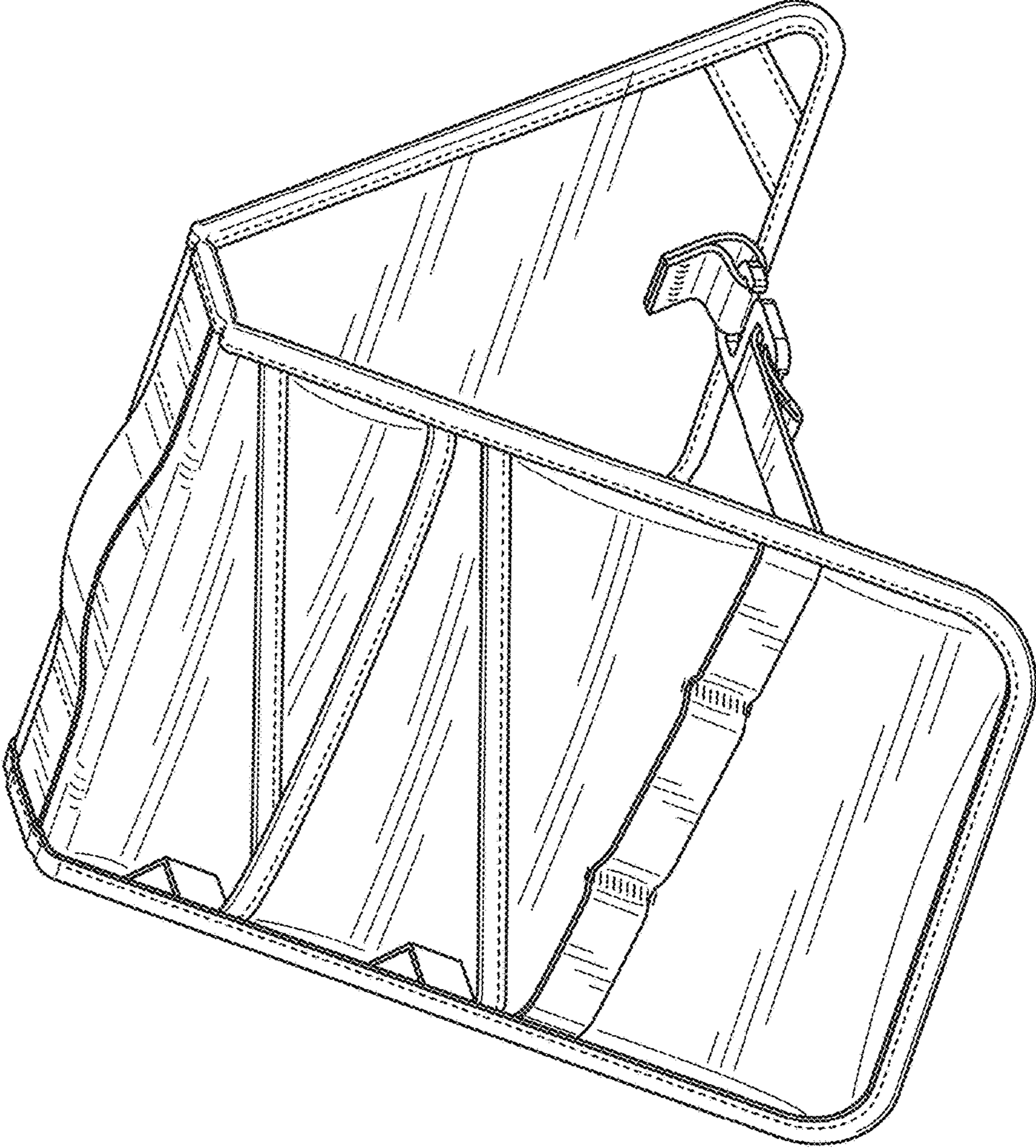


FIG. 8

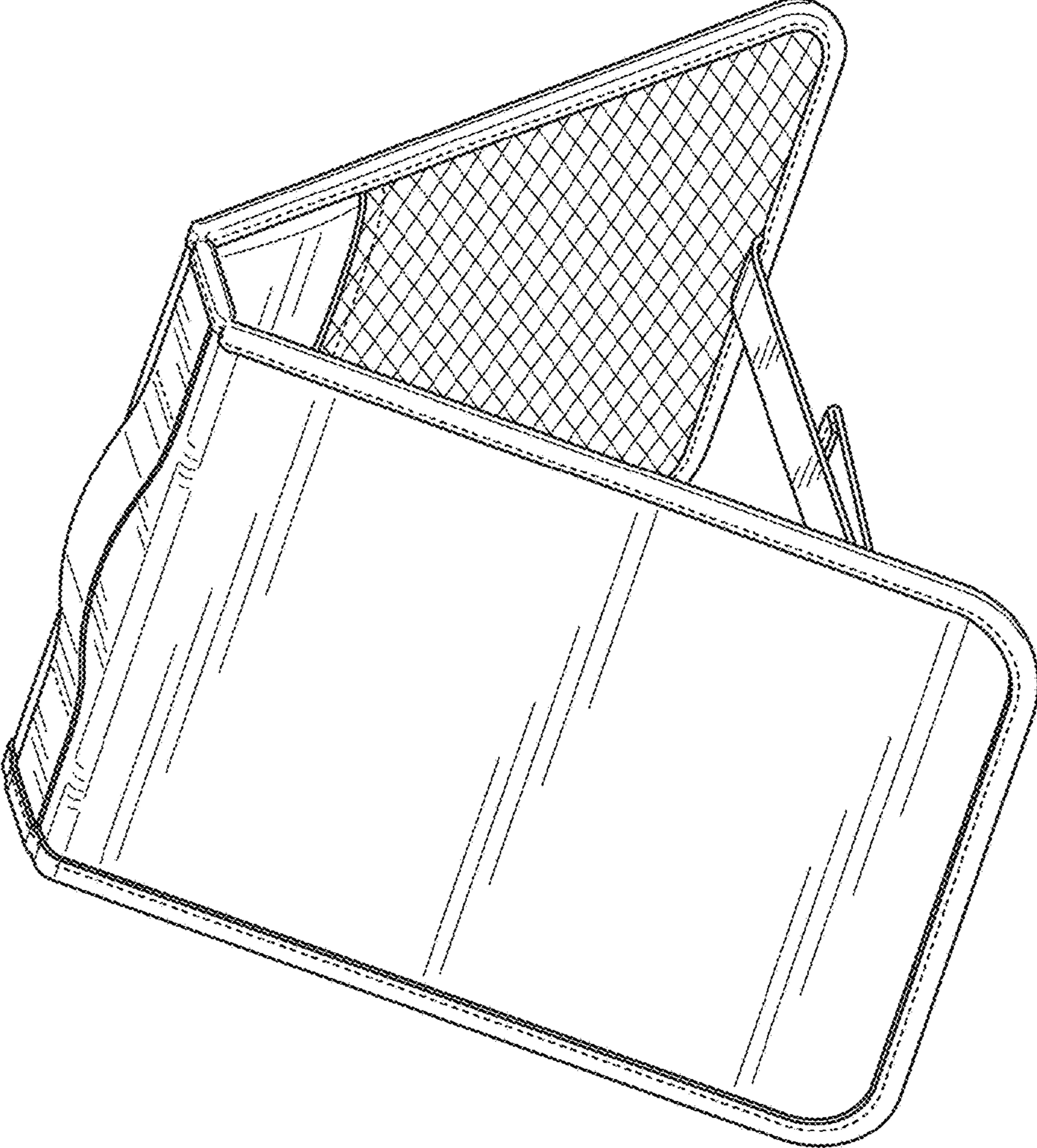


FIG. 9

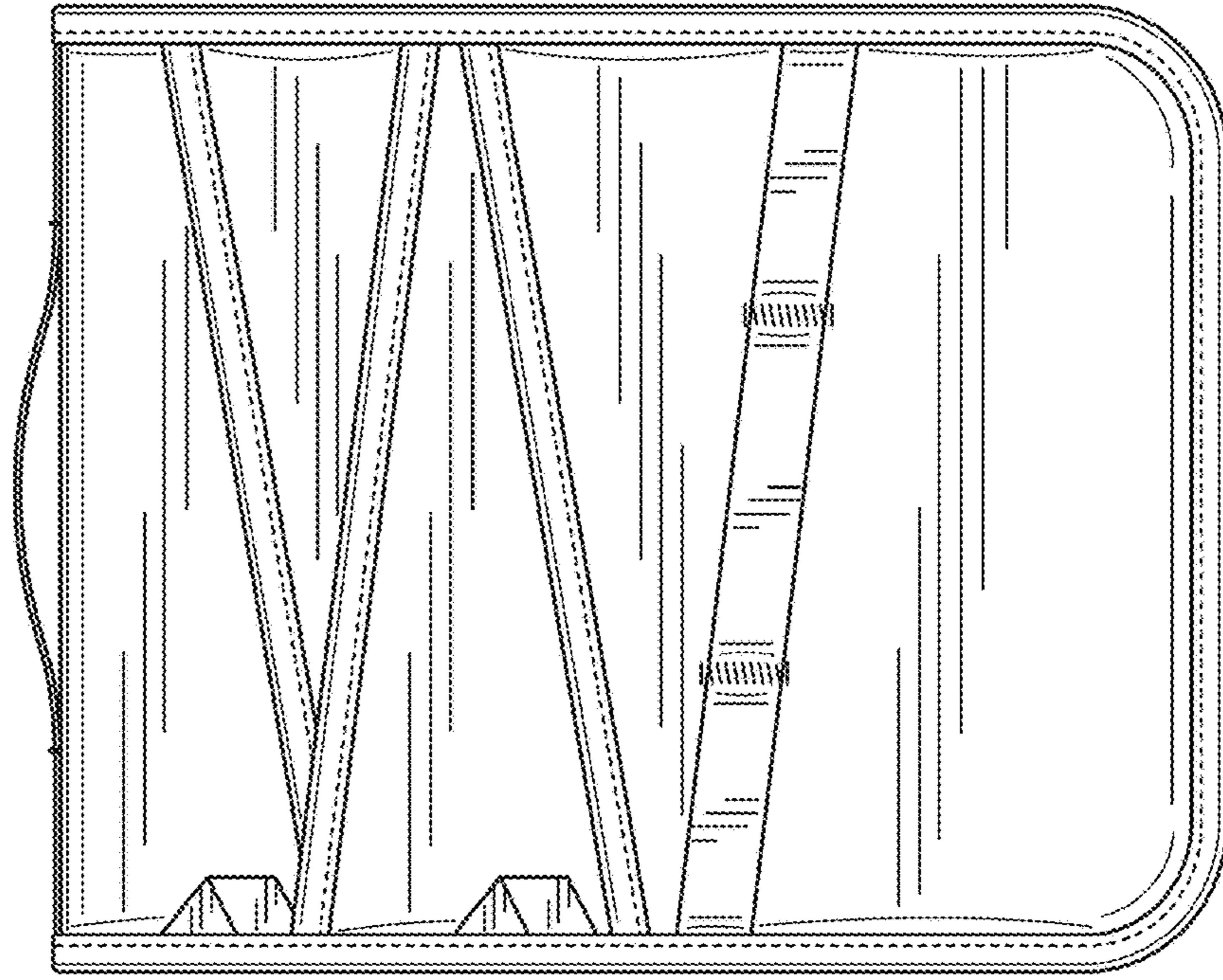


FIG. 11

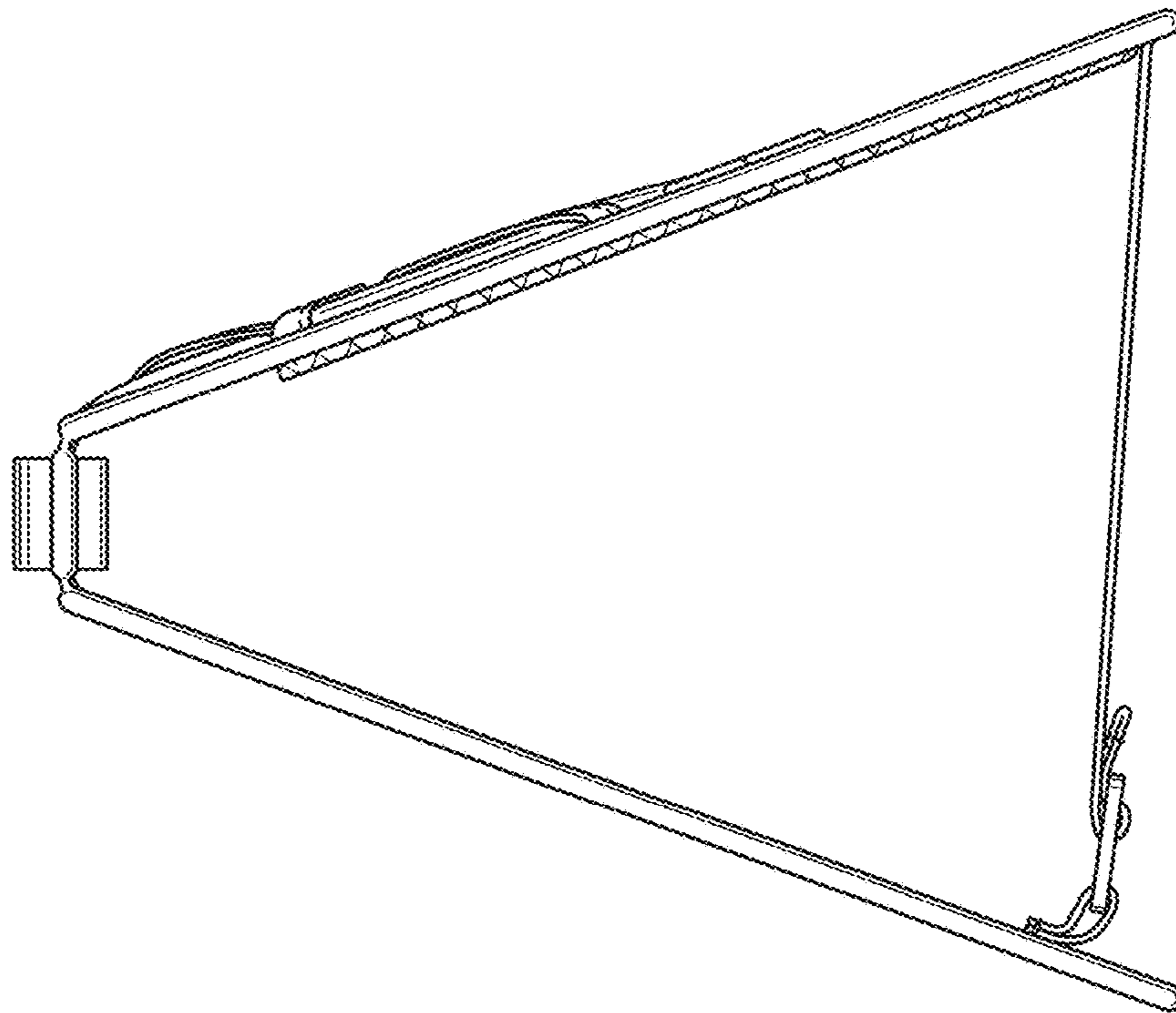


FIG. 10

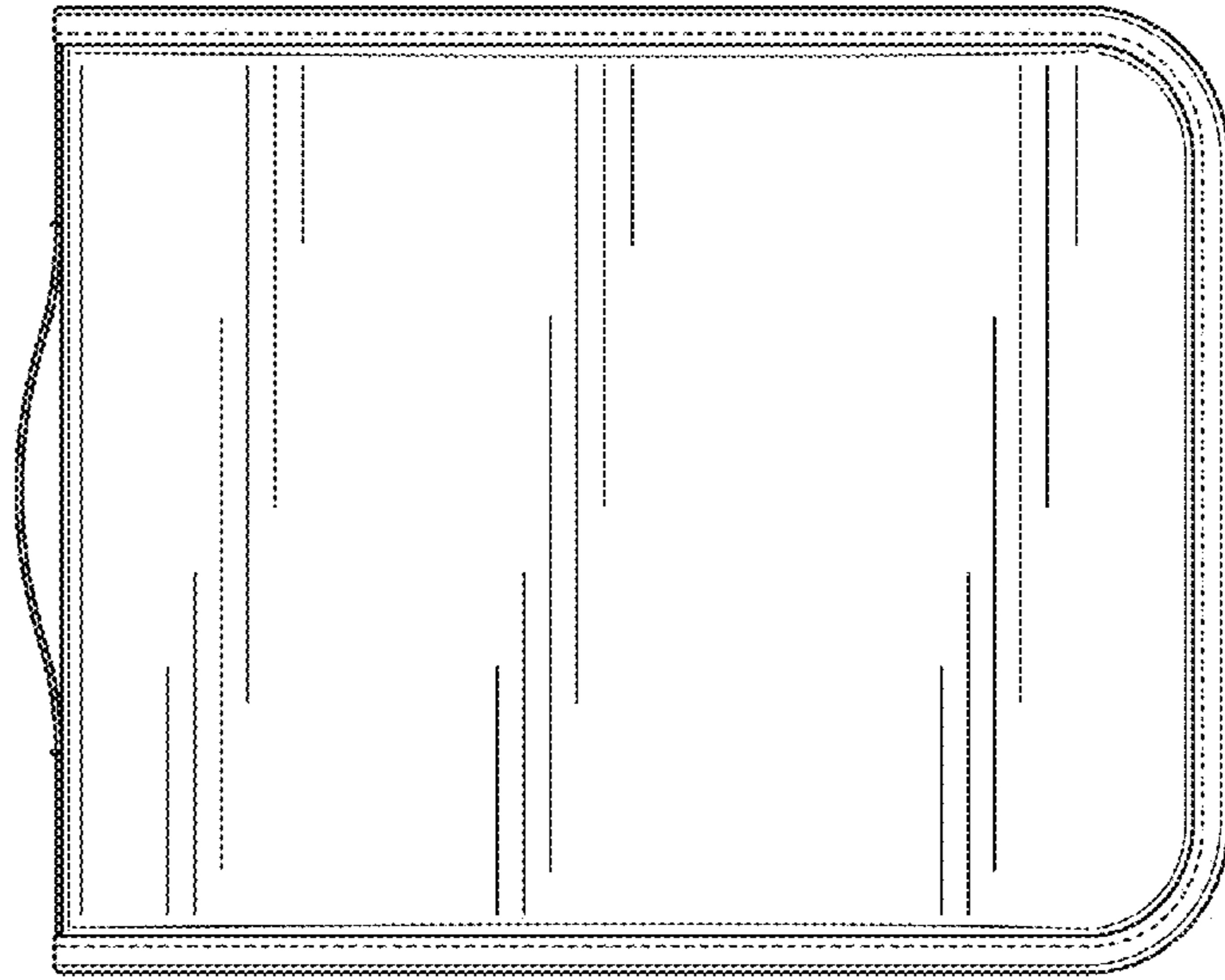


FIG. 13

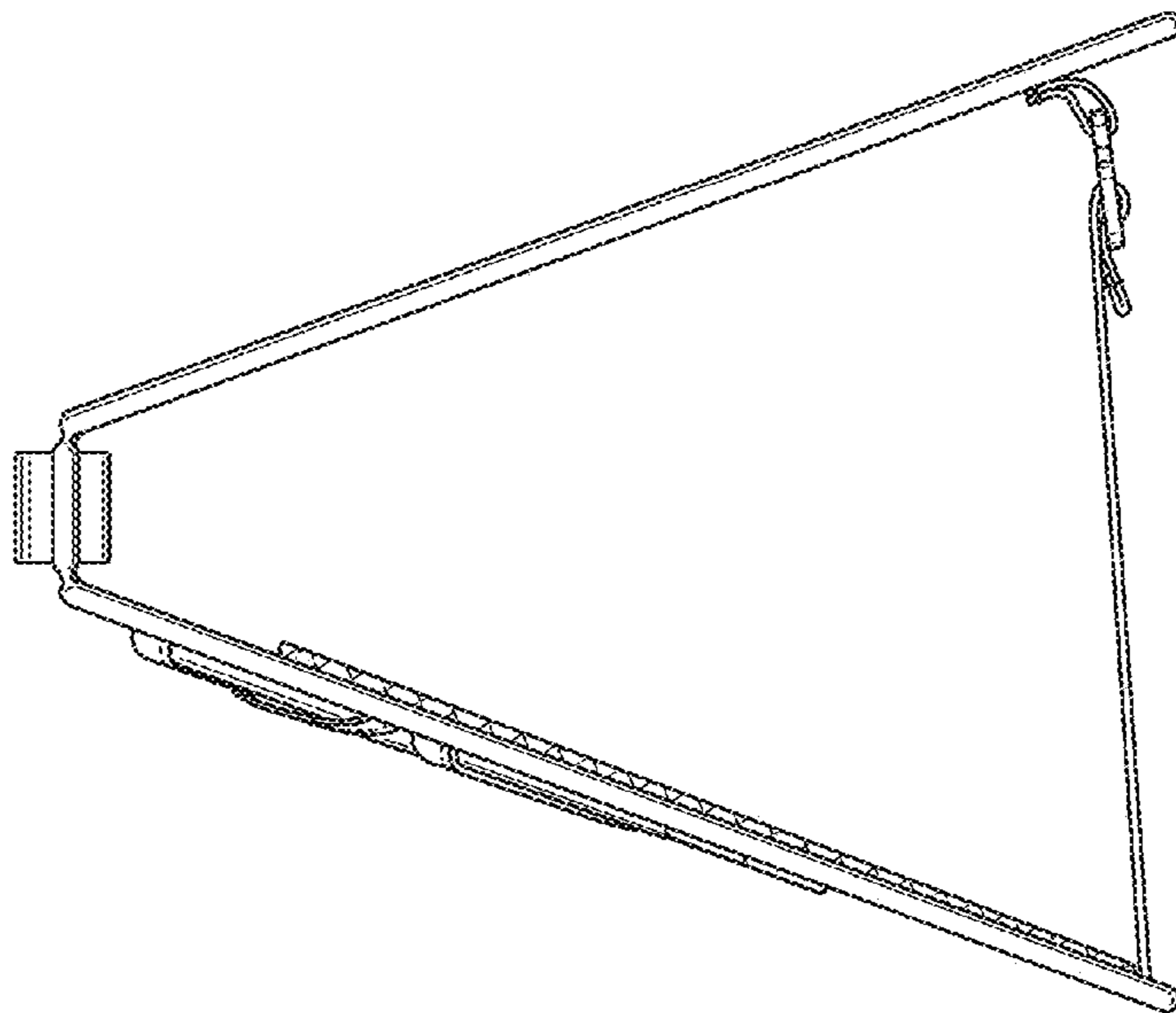


FIG. 12

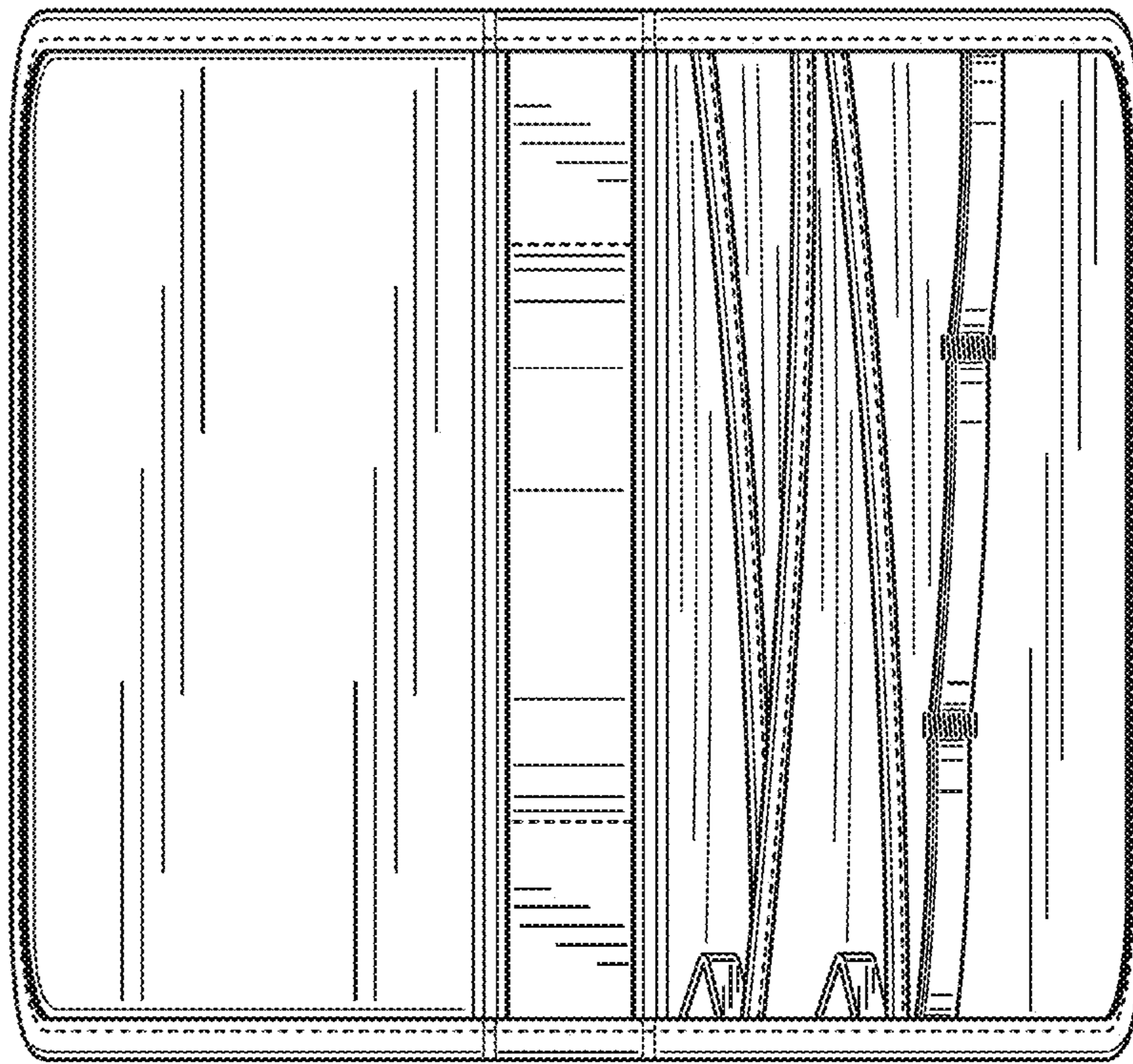


FIG. 14

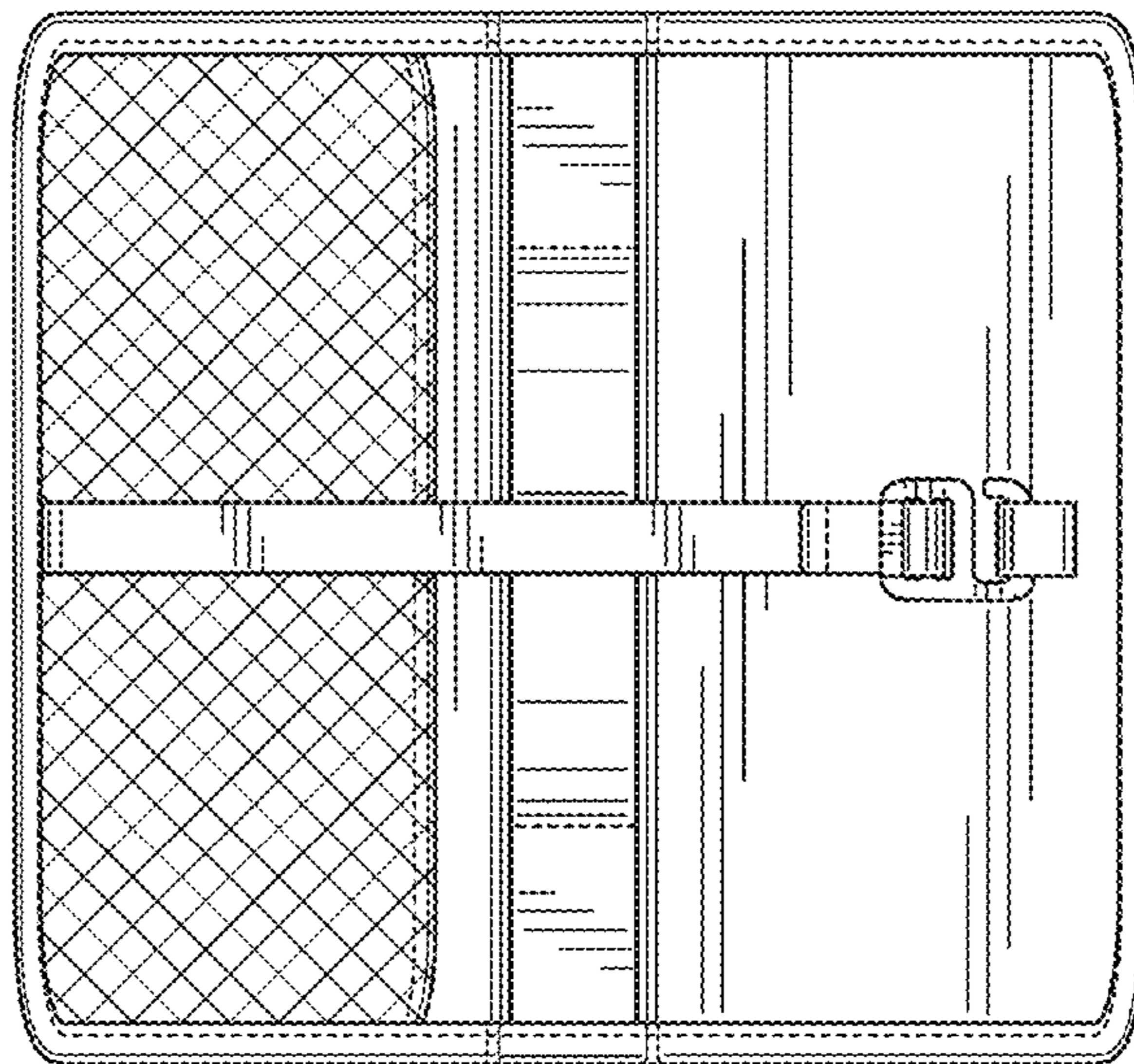


FIG. 15