

US00D795578S

(12) **United States Design Patent Law** (10) **Patent No.: US D795,578 S**
(45) **Date of Patent: ** Aug. 29, 2017**

(54) **TRAVEL LUGGAGE**
(71) Applicant: **Calvin Law**, Chino, CA (US)
(72) Inventor: **Calvin Law**, Chino, CA (US)
(**) Term: **15 Years**

D709,696 S * 7/2014 Wu D3/279
D712,143 S * 9/2014 Chehebar D3/279
D722,771 S * 2/2015 Wu D3/279
D740,558 S * 10/2015 Liao D3/279
D755,518 S * 5/2016 Sijmons D3/279
D758,076 S * 6/2016 Boer D3/274
D783,282 S * 4/2017 Sijmons D3/279
D784,016 S * 4/2017 Morszeck D3/279
2002/0071618 A1 * 6/2002 Felsenthal A01M 1/2055
383/39

(21) Appl. No.: **29/586,432**

(22) Filed: **Dec. 2, 2016**

(51) **LOC (10) Cl.** **03-01**

(52) **U.S. Cl.**
USPC **D3/279**

(58) **Field of Classification Search**
USPC D3/273, 276, 279, 281, 282, 289, 291,
D3/902, 272
CPC A45C 5/00; A45C 5/03; A45C 2005/037;
A45C 5/14; A45C 7/0027; A45C 7/0018;
A45C 2005/032; A45C 2005/035; A45C
5/04

See application file for complete search history.

(56) **References Cited**

U.S. PATENT DOCUMENTS

D373,105 S * 8/1996 Imotani D12/413
D644,435 S * 9/2011 Weng D3/279
D659,395 S * 5/2012 Sijmons D3/279
D703,435 S * 4/2014 Wile D3/279

* cited by examiner

Primary Examiner — Jennifer Rivard

Assistant Examiner — April Rivas

(74) *Attorney, Agent, or Firm* — Alexander Chen, Esq.

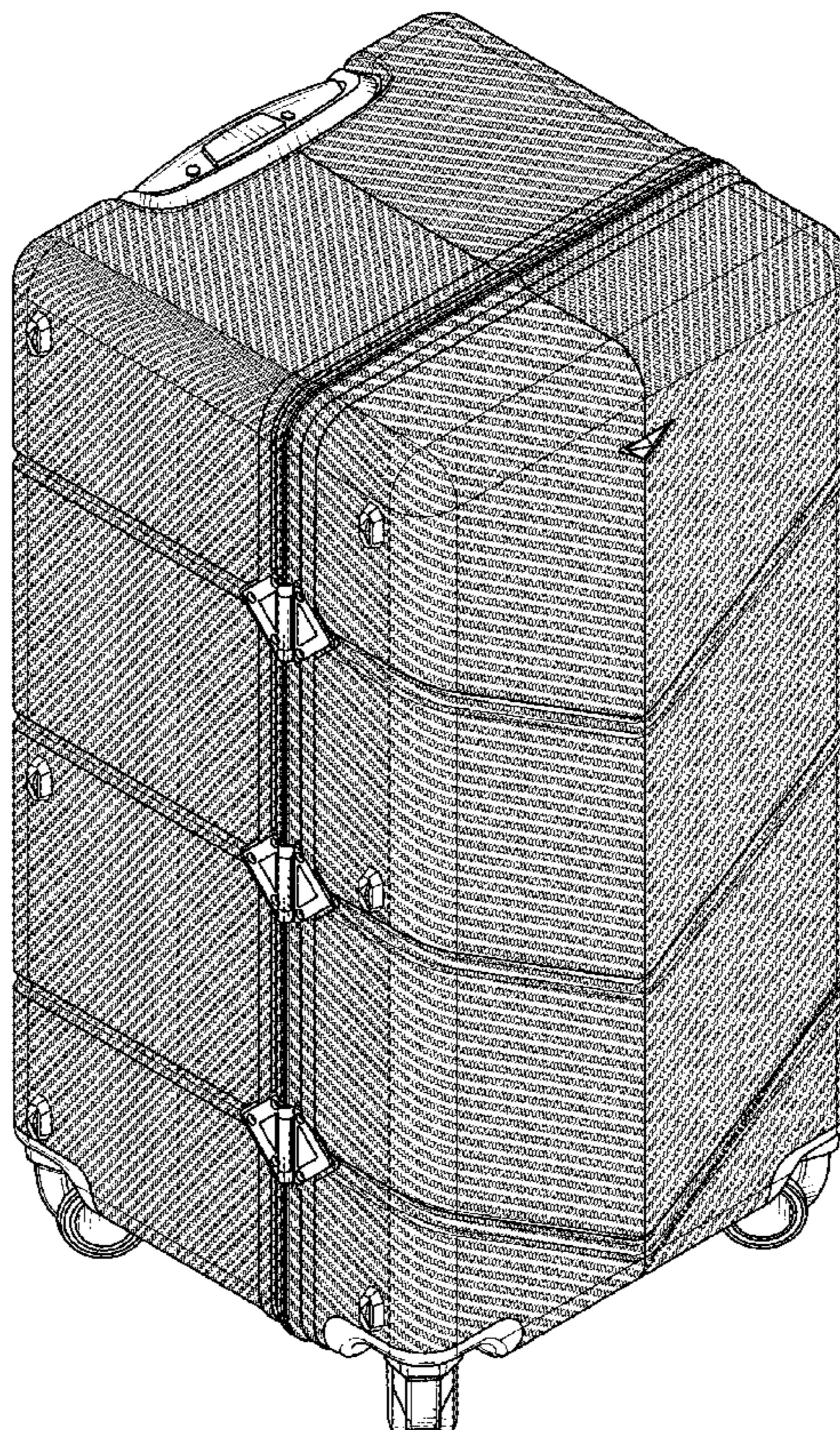
(57) **CLAIM**

The ornamental design for a travel luggage, as shown and described.

DESCRIPTION

FIG. 1 is a perspective view of a travel luggage;
FIG. 2 is a front view thereof;
FIG. 3 is a back view thereof;
FIG. 4 is a left side view thereof;
FIG. 5 is a right side view thereof;
FIG. 6 is a top-down side view thereof; and,
FIG. 7 is a bottom-up side view thereof.

1 Claim, 7 Drawing Sheets



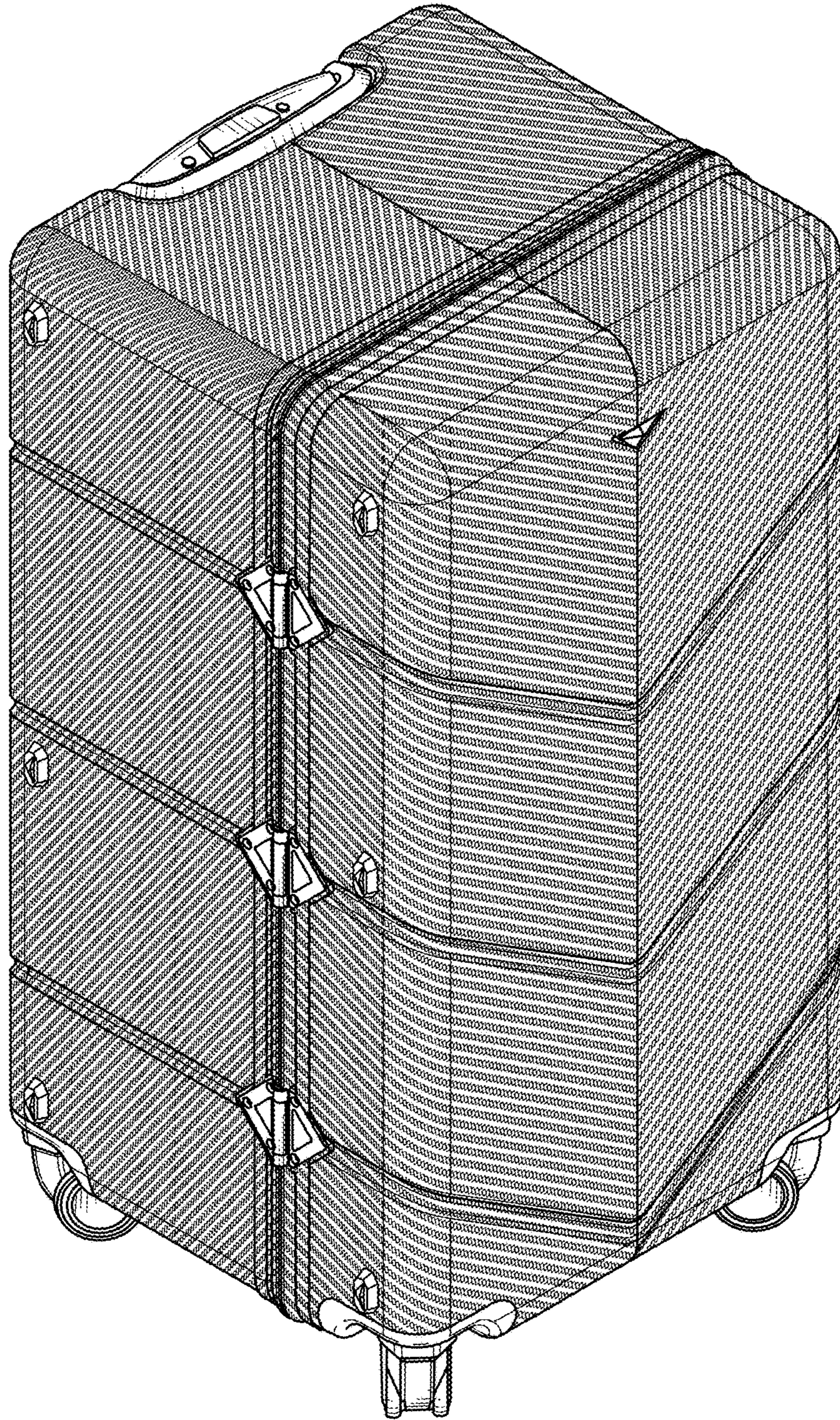


FIG. 1

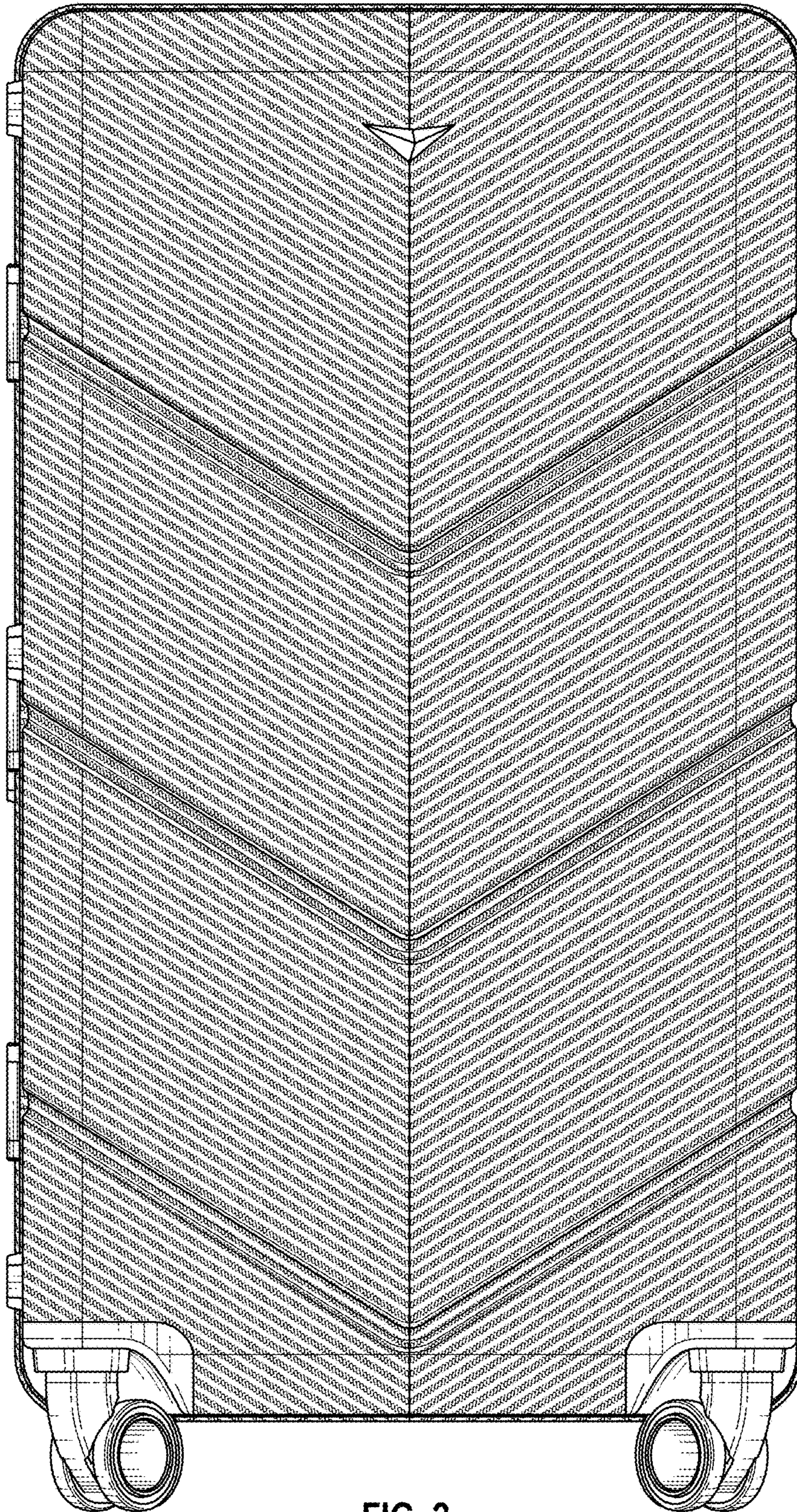


FIG. 2

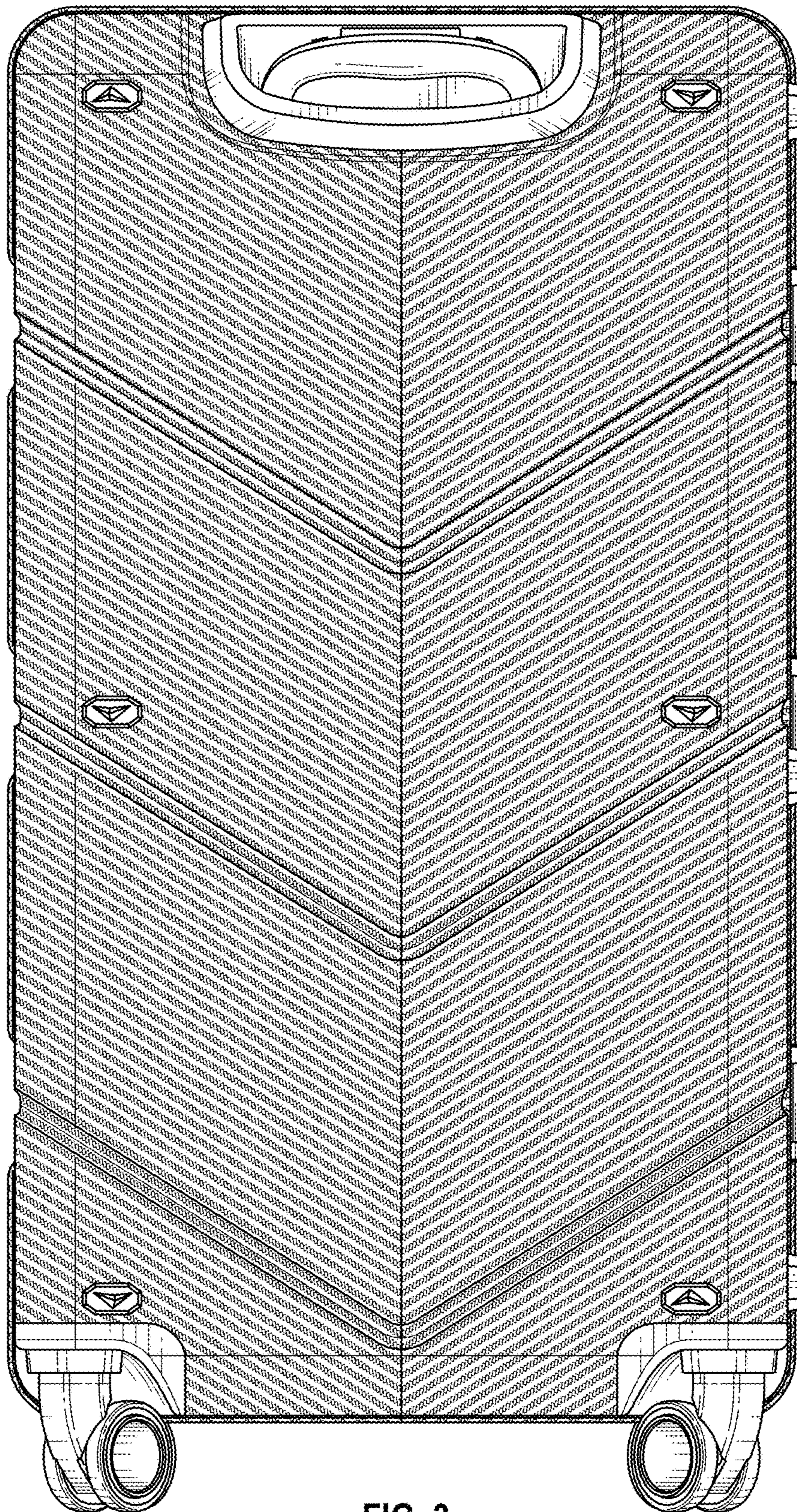


FIG. 3

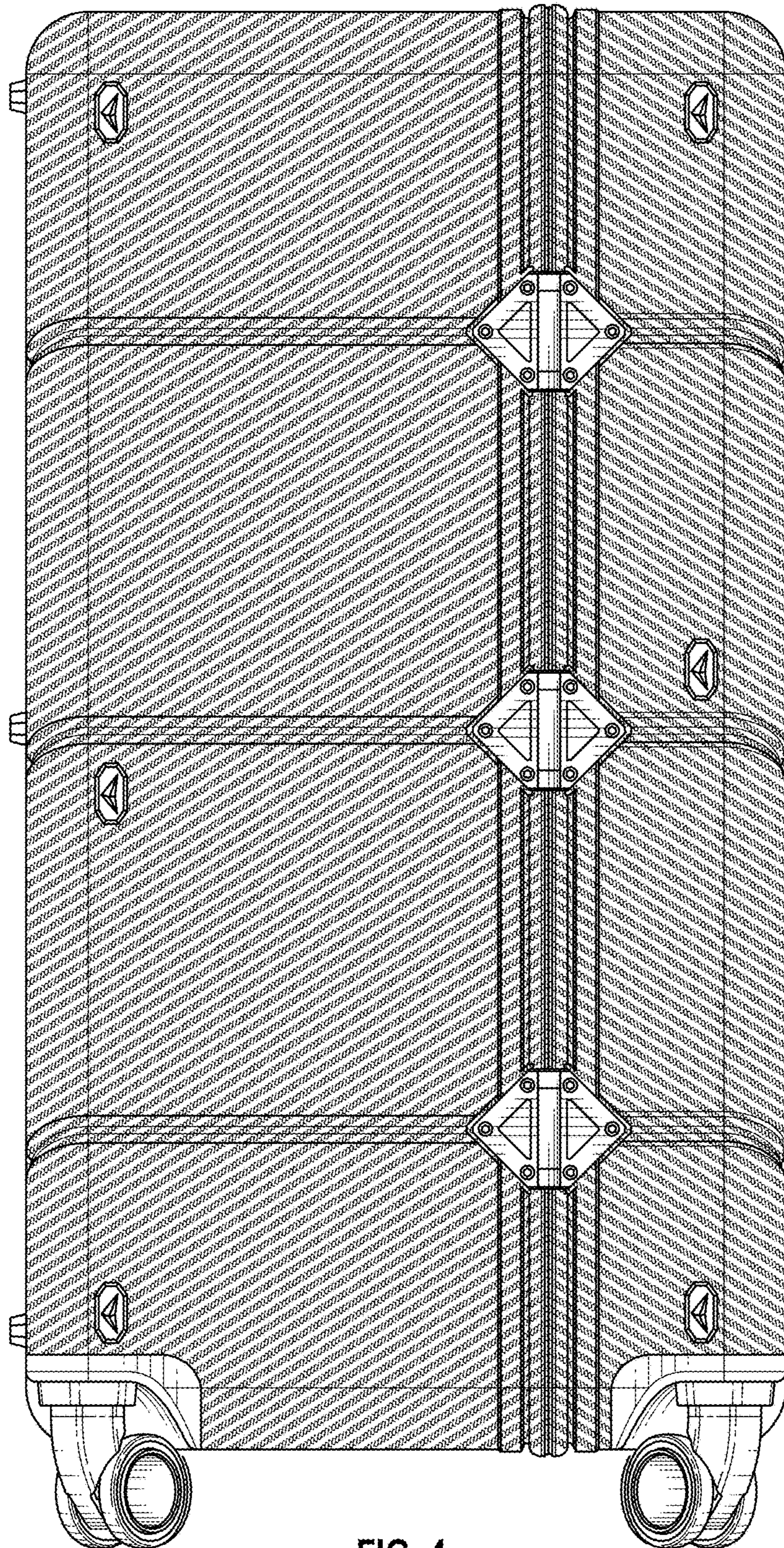


FIG. 4

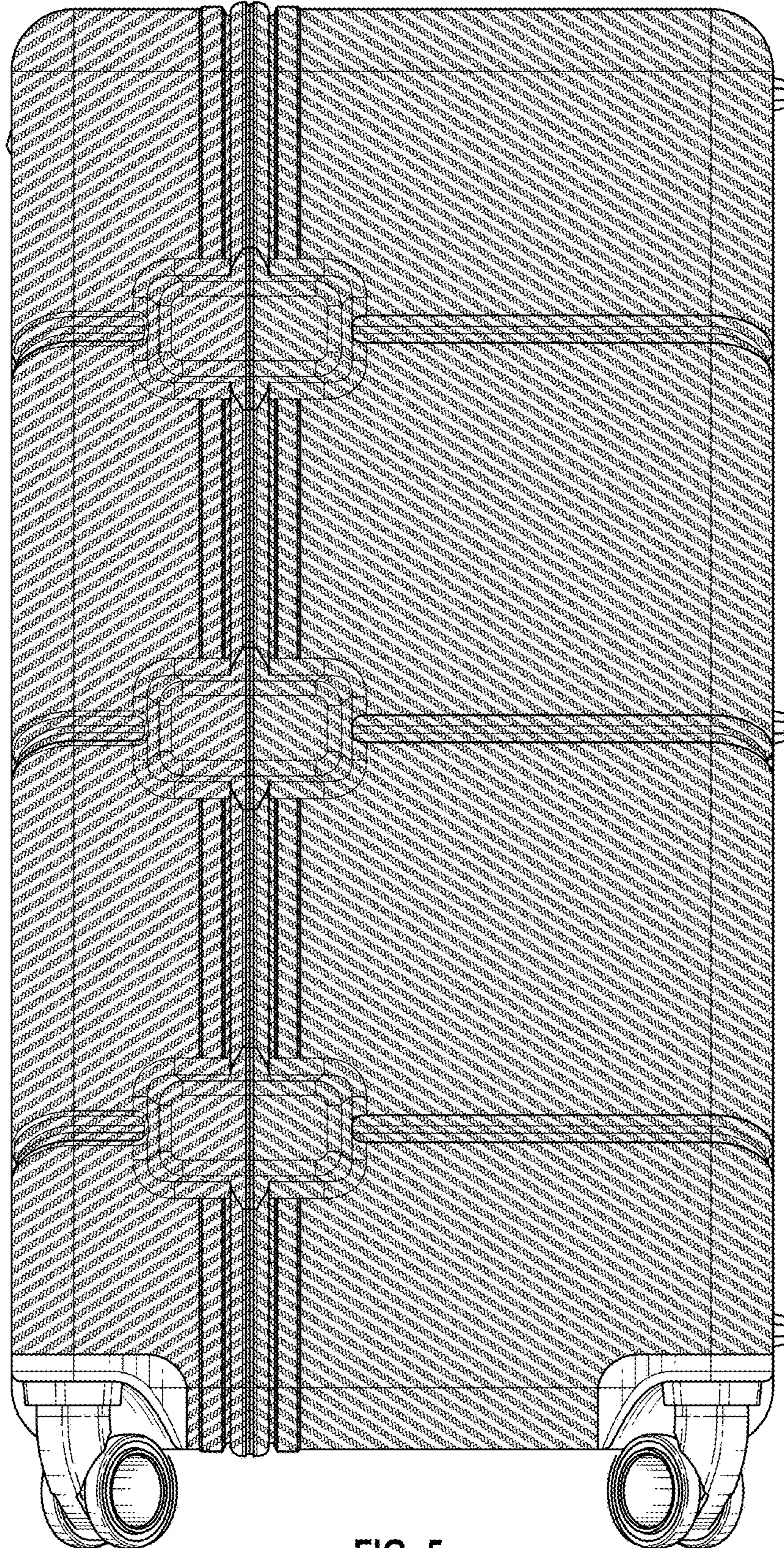


FIG. 5

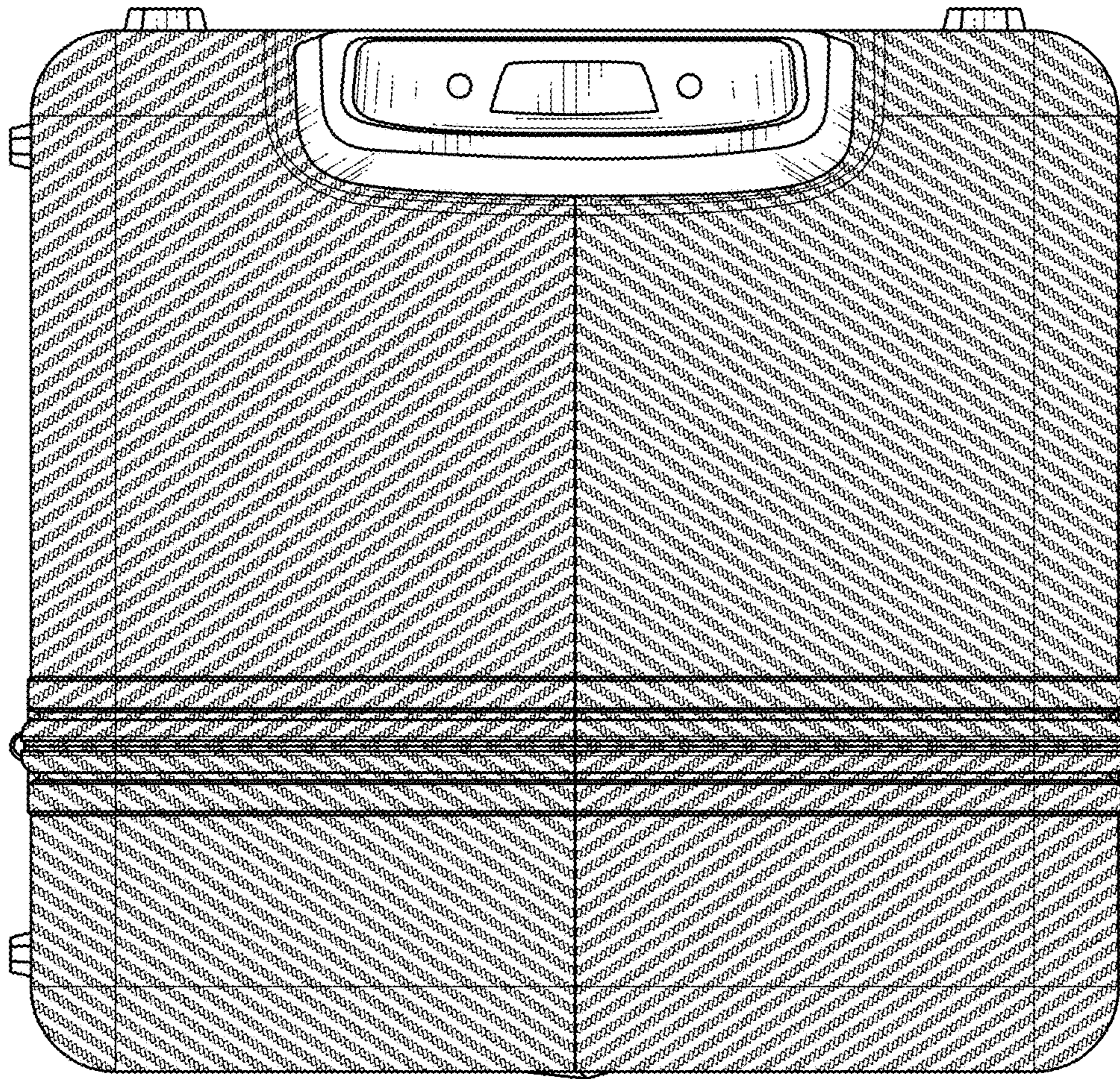


FIG. 6

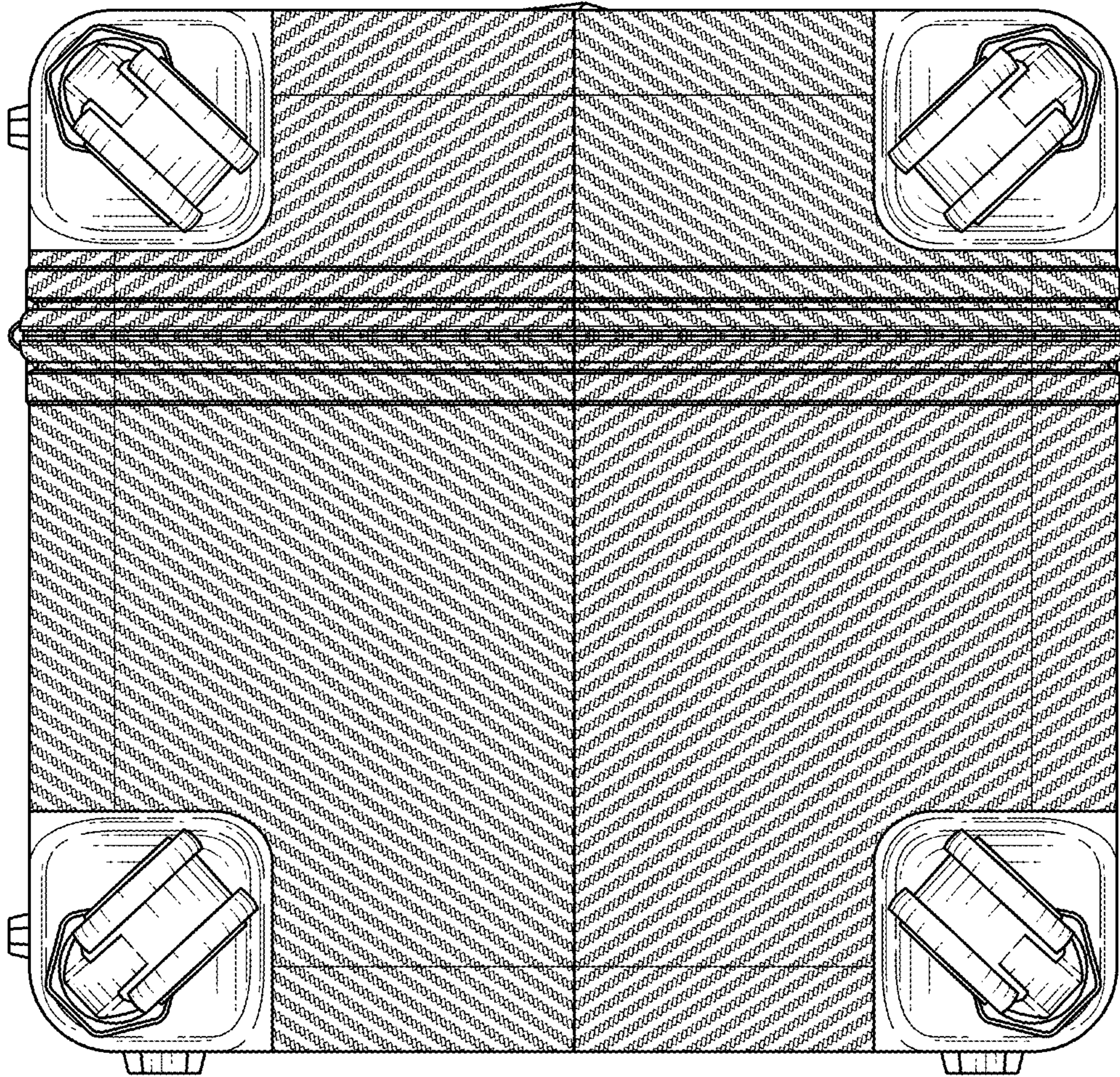


FIG. 7