



US00D795577S

(12) **United States Design Patent** (10) **Patent No.:** **US D795,577 S**
Brown-Gayles (45) **Date of Patent:** **** Aug. 29, 2017**

(54) **TRAY FOR STORING AND APPLYING HAIR PRODUCTS**

(71) Applicant: **Erica Brown-Gayles**, Fairview Heights, IL (US)

(72) Inventor: **Erica Brown-Gayles**, Fairview Heights, IL (US)

(**) Term: **15 Years**

(21) Appl. No.: **29/540,403**

(22) Filed: **Sep. 24, 2015**

(51) **LOC (10) Cl.** **03-01**

(52) **U.S. Cl.**
USPC **D3/274**; D3/302; D3/901; D28/76

(58) **Field of Classification Search**
USPC D3/206, 262, 271.8, 274, 273, 276, 282, D3/284, 294, 298, 302, 315, 901, 905, D3/904, 201; D28/79, 76
CPC B25H 3/003; A45C 2011/002; A45C 2011/003; A45C 2011/007; A45C 11/16; A45C 11/36; A45C 11/34; A45C 15/00; A45D 2040/0012; A45D 40/24
See application file for complete search history.

(56) **References Cited**

U.S. PATENT DOCUMENTS

D115,545 S *	7/1939	De Witt	220/525
D209,438 S *	11/1967	Rothman	D3/296
D248,526 S	7/1978	Benes	
D271,651 S	12/1983	Knutson	
D271,835 S	12/1983	Knutson	
D279,621 S *	7/1985	Richer	D19/75
D282,504 S *	2/1986	Moriyama	D22/134
D321,788 S *	11/1991	Chen	220/524
D325,281 S *	4/1992	Jordan	D3/302
D358,933 S *	6/1995	Stein	D19/77
D370,307 S *	5/1996	Chen	D28/78
D420,854 S	2/2000	Michaeli	
6,073,795 A	6/2000	Longstreth	

D474,107 S *	5/2003	Osborne	D28/79
D474,942 S	5/2003	Tocci	
6,561,374 B2	5/2003	Longstreth	
D485,470 S	1/2004	Willis	
D494,062 S	8/2004	Willis	
D522,808 S	6/2006	Czebiniak	

(Continued)

OTHER PUBLICATIONS

Rex Art, "Porcelain Palettes & Mixing Trays", Accessed May 16, 2017. (https://www.rexart.com/richeson_porcelain_palettes.html).*

Primary Examiner — Jennifer Rivard
Assistant Examiner — April Rivas
(74) *Attorney, Agent, or Firm* — Linda L Lewis; Dennis Donahue; CreatiVenture Law

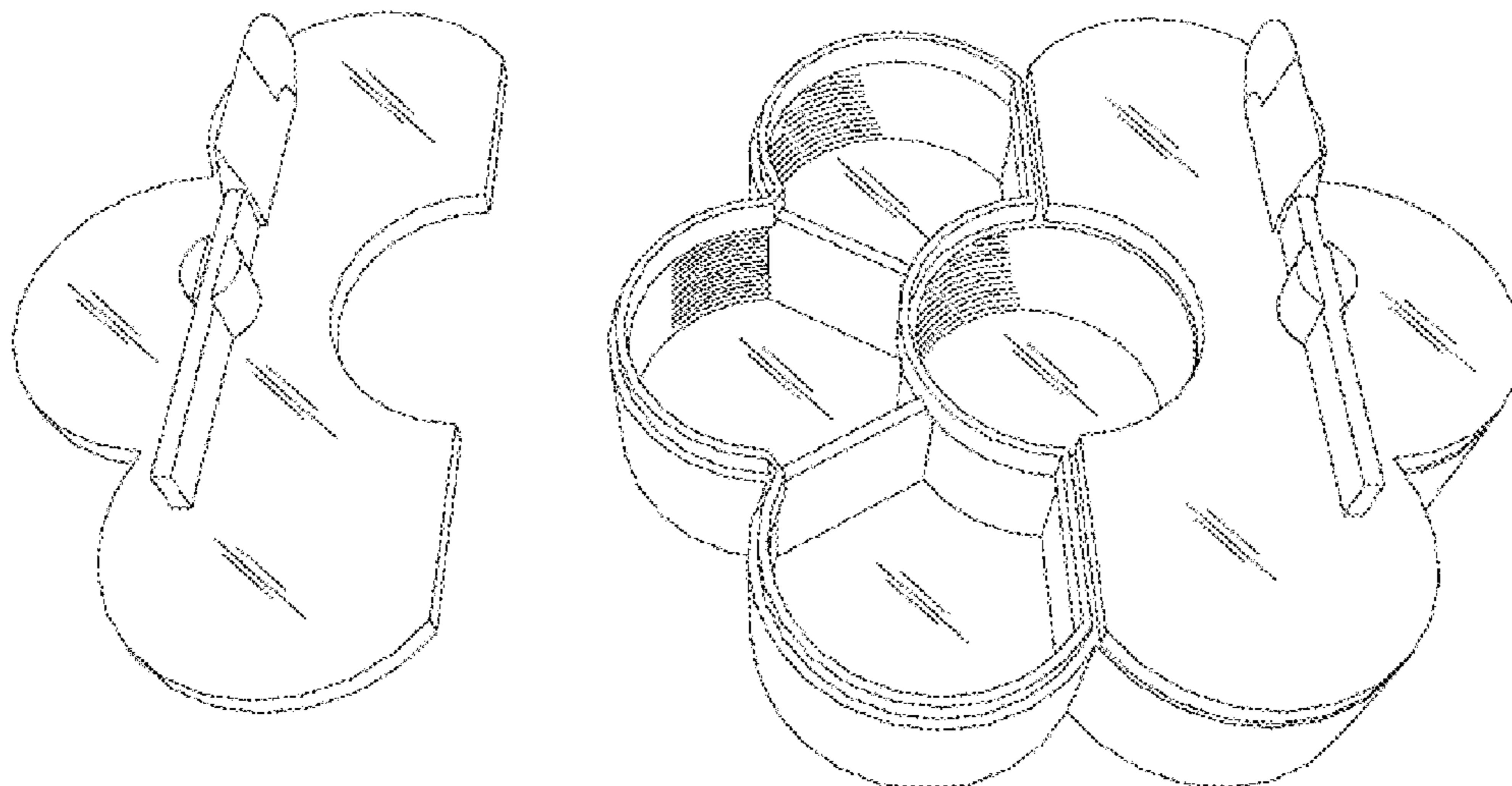
(57) **CLAIM**

The ornamental design for a tray for storing and applying hair products, as shown and described.

DESCRIPTION

FIG. 1 is an exploded front perspective view of the tray with one tray insert shown assembled.
FIG. 2 is a top perspective view thereof, with the applicators attached;
FIG. 3 is a top perspective view thereof, with both trays inserted;
FIG. 4 is a top perspective view thereof, with one lid shown on.
FIG. 5 is a top perspective view of the fully assembled tray.
FIG. 6 is a bottom perspective view of FIG. 1;
FIG. 7 is a bottom perspective view of FIG. 2;
FIG. 8 is a back side perspective view of FIG. 5;
FIG. 9 is a right side view thereof, the opposite side being a mirror image; and,
FIG. 10 is a front side perspective view thereof.

1 Claim, 10 Drawing Sheets



(56)

References Cited

U.S. PATENT DOCUMENTS

D546,062 S * 7/2007 Tate D3/271.8
D553,797 S * 10/2007 Gunter D28/82
D636,233 S 4/2011 Villa
D645,309 S 9/2011 Villa
D660,518 S * 5/2012 Chen D28/73
D687,602 S * 8/2013 Chen D28/82
D698,866 S * 2/2014 Abdullah D19/77
2004/0163971 A1 * 8/2004 Lin A45D 40/24
206/38
2009/0026158 A1 * 1/2009 Mangano A45C 11/16
211/85.2
2010/0319723 A1 * 12/2010 Parker A45D 33/20
132/287
2014/0305466 A1 * 10/2014 Silva A45D 44/005
132/314
2015/0001128 A1 * 1/2015 Jaffe A45C 11/16
206/581
2016/0143412 A1 * 5/2016 Klideris A45D 33/26
132/286

* cited by examiner

Figure 1

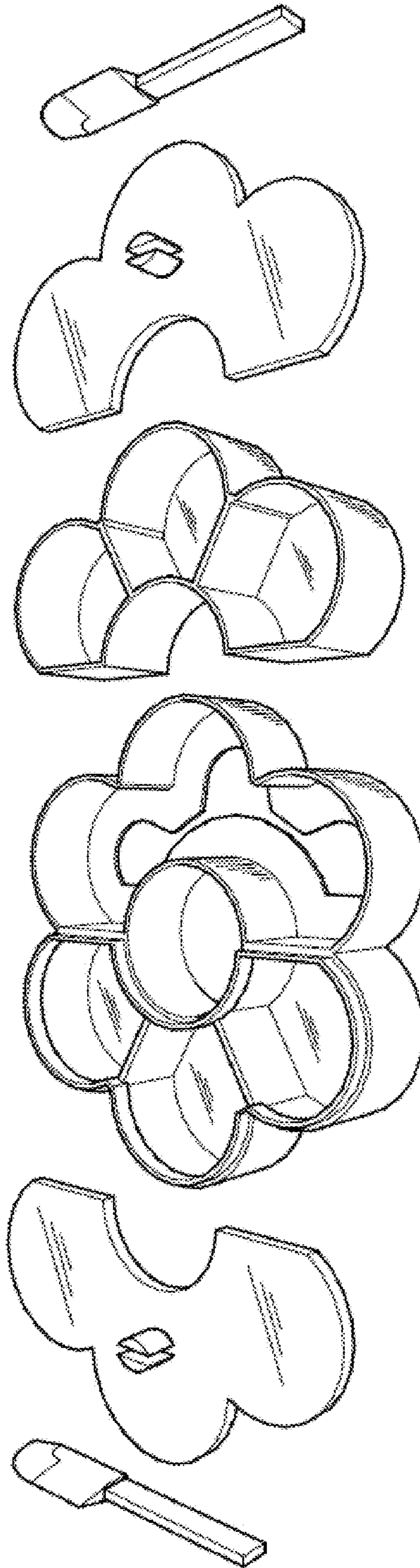


Figure 2

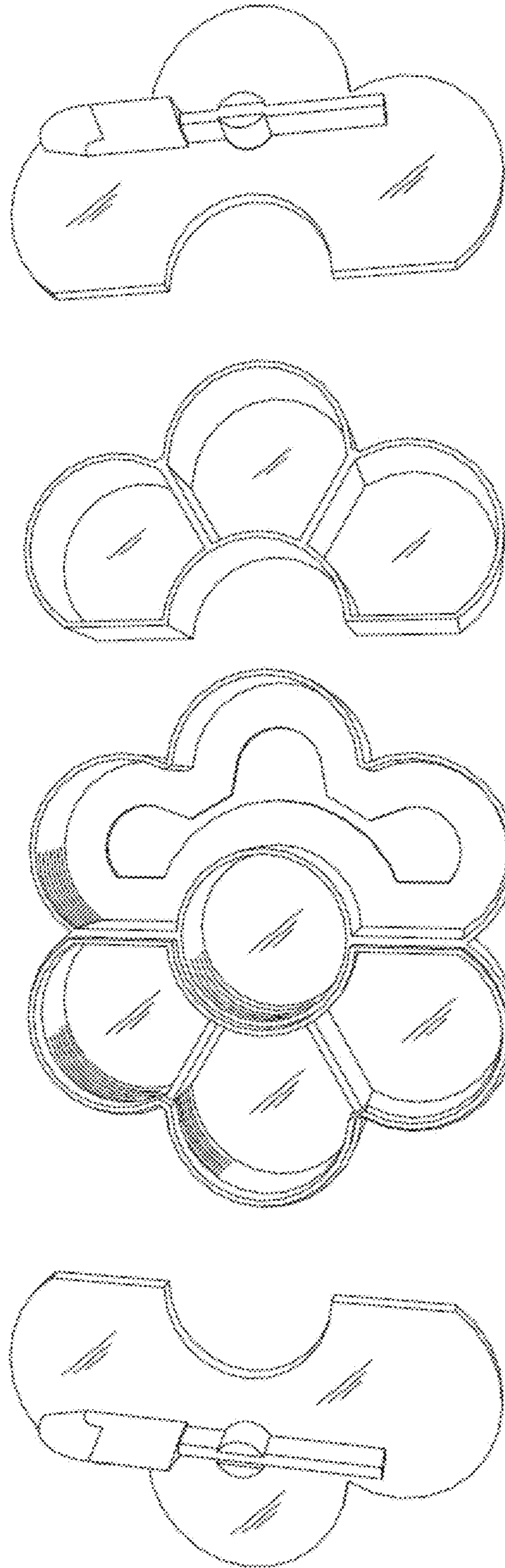


Figure 3

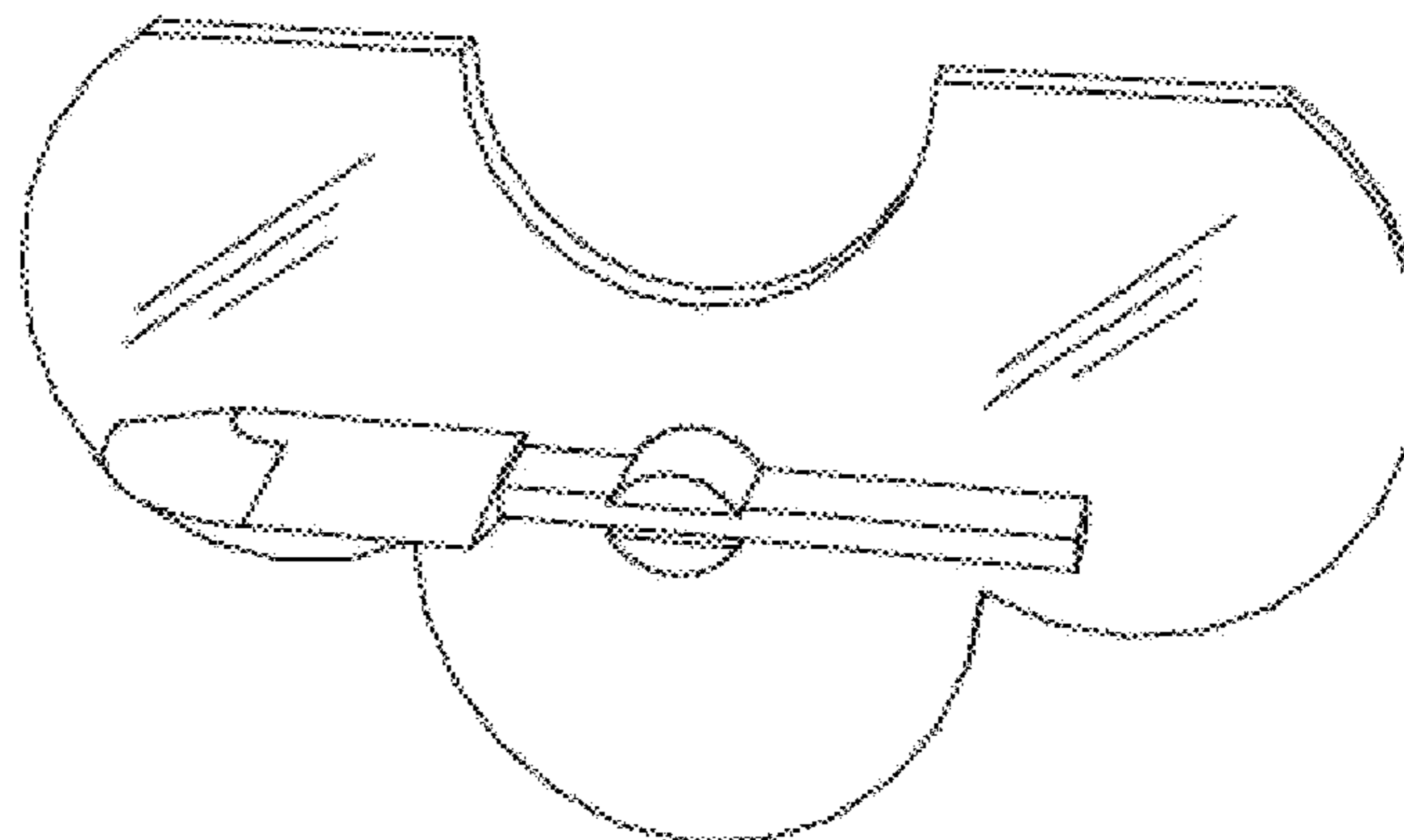
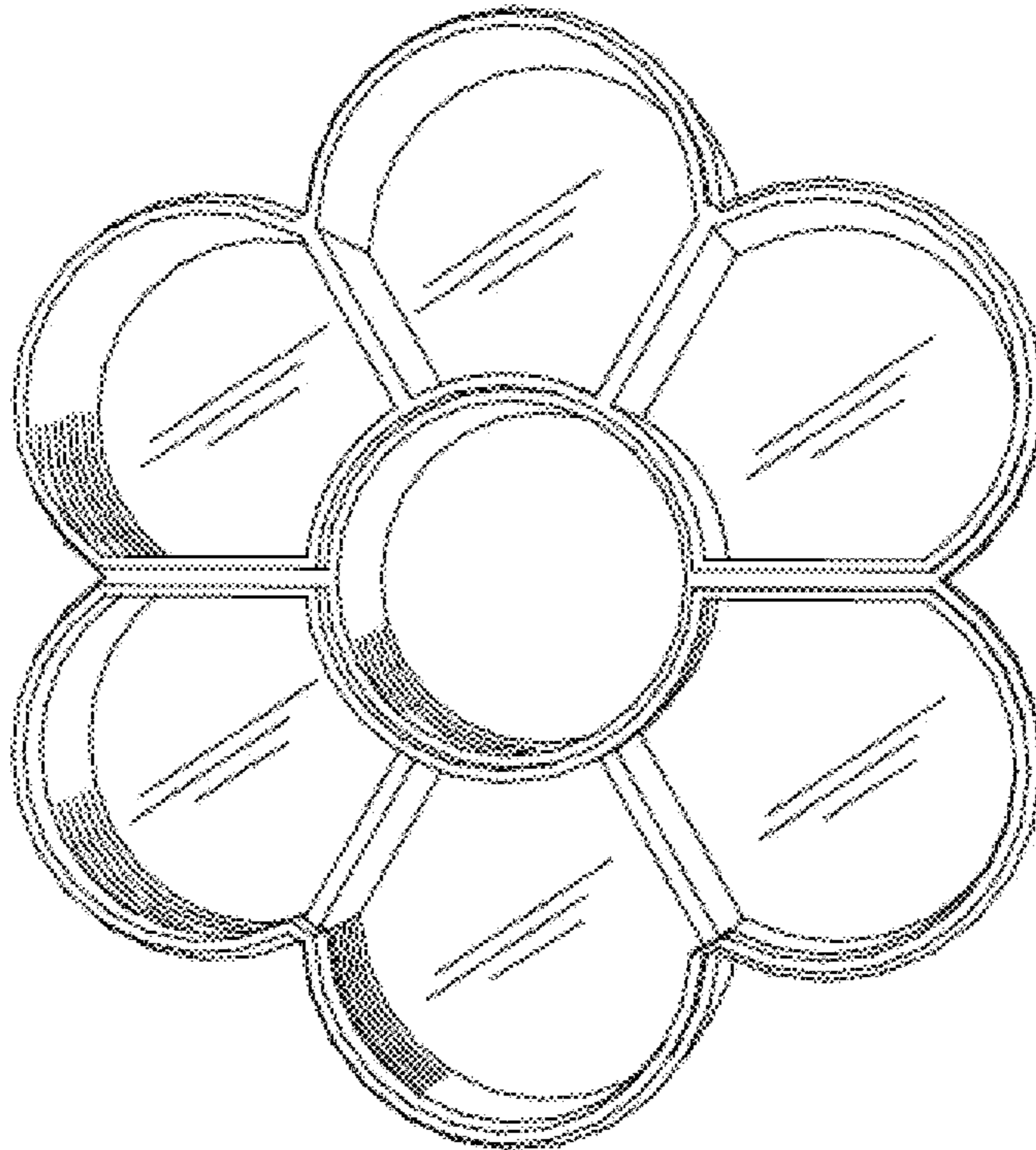
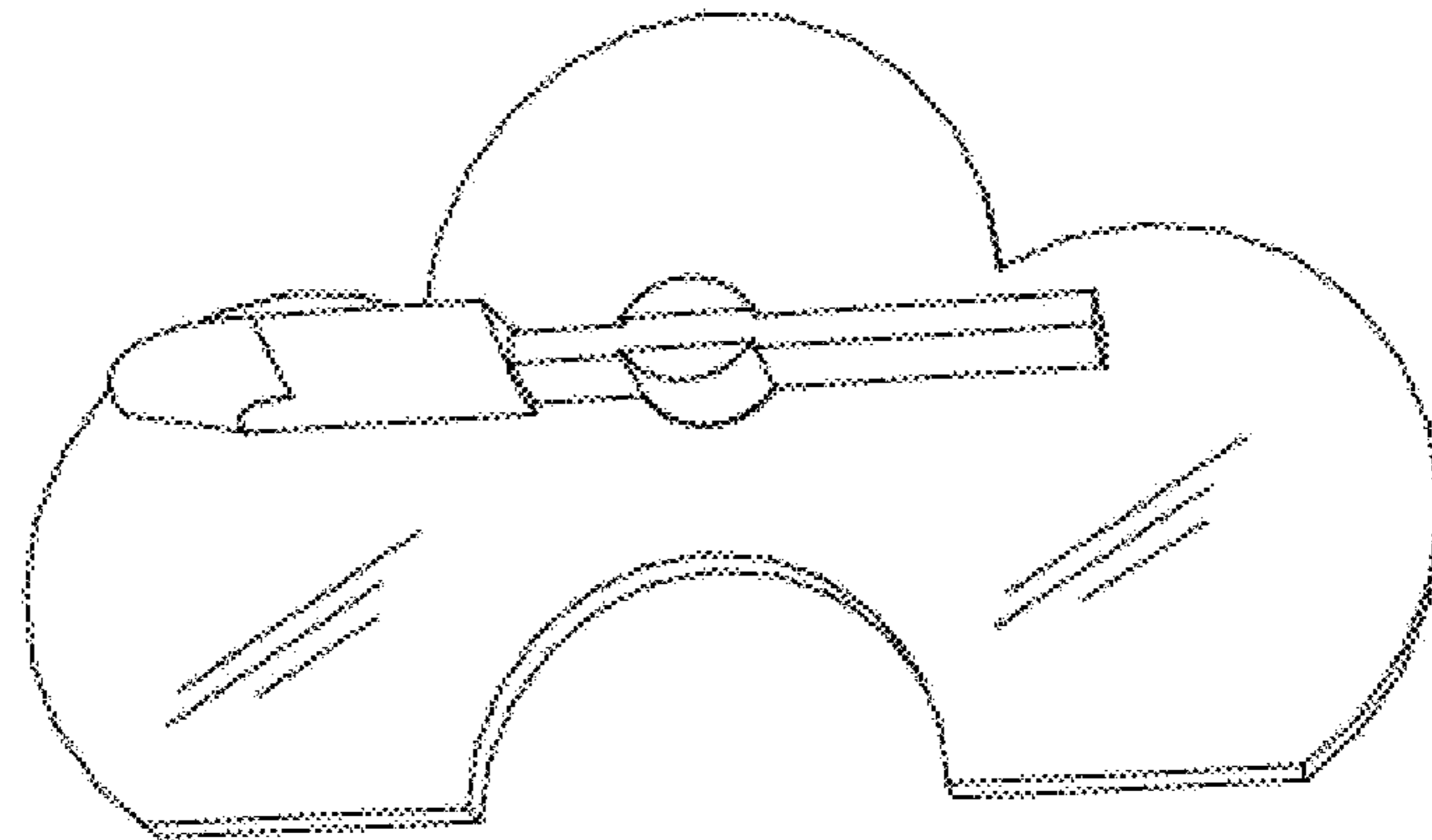


Figure 4

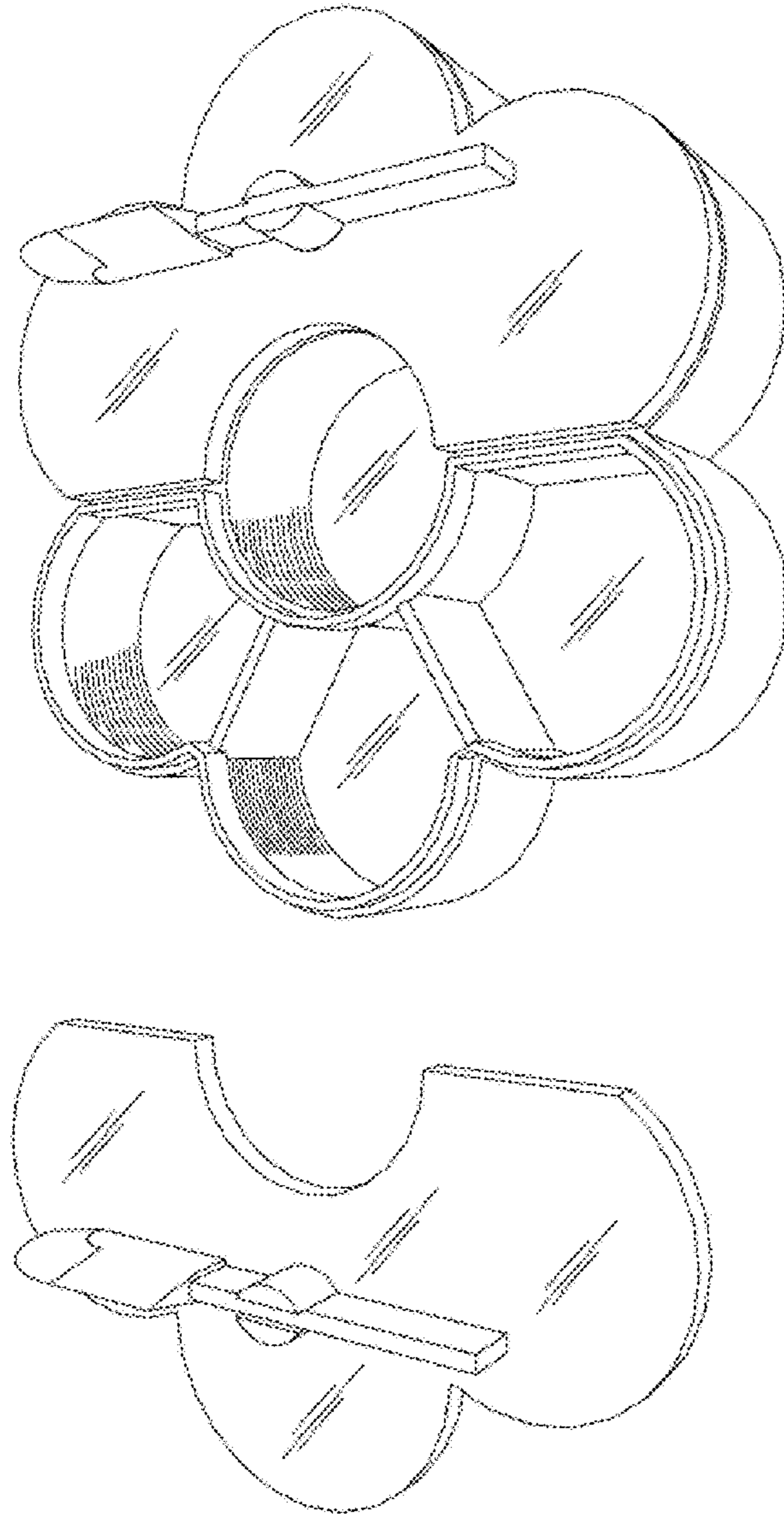


Figure 5

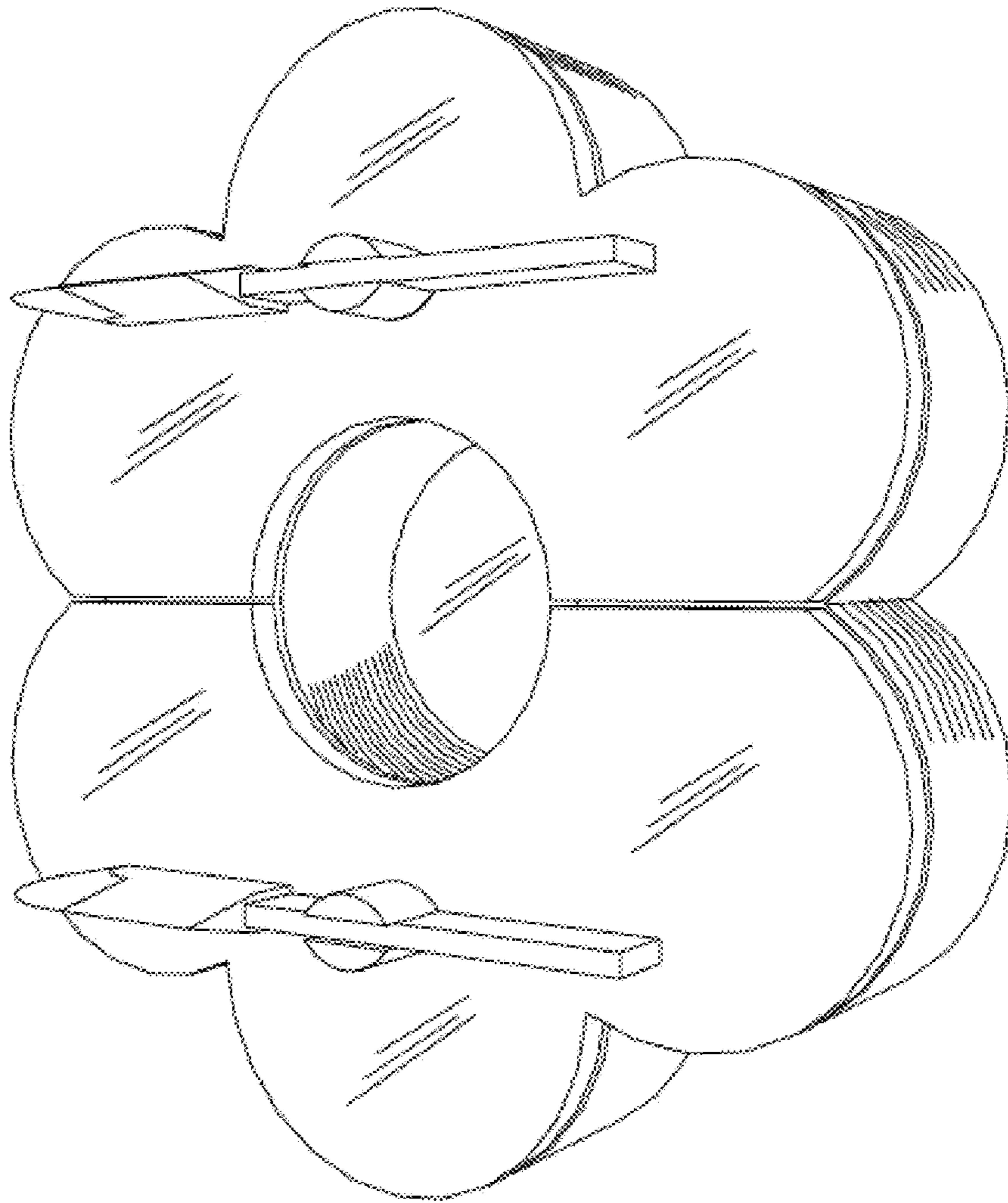


Figure 6

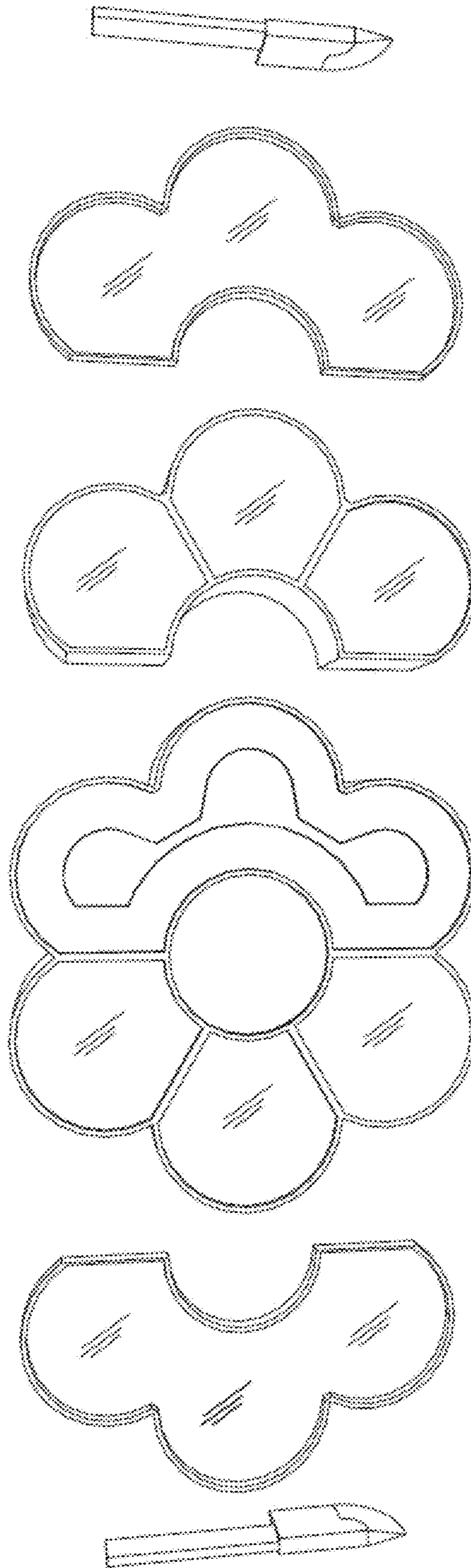


Figure 7

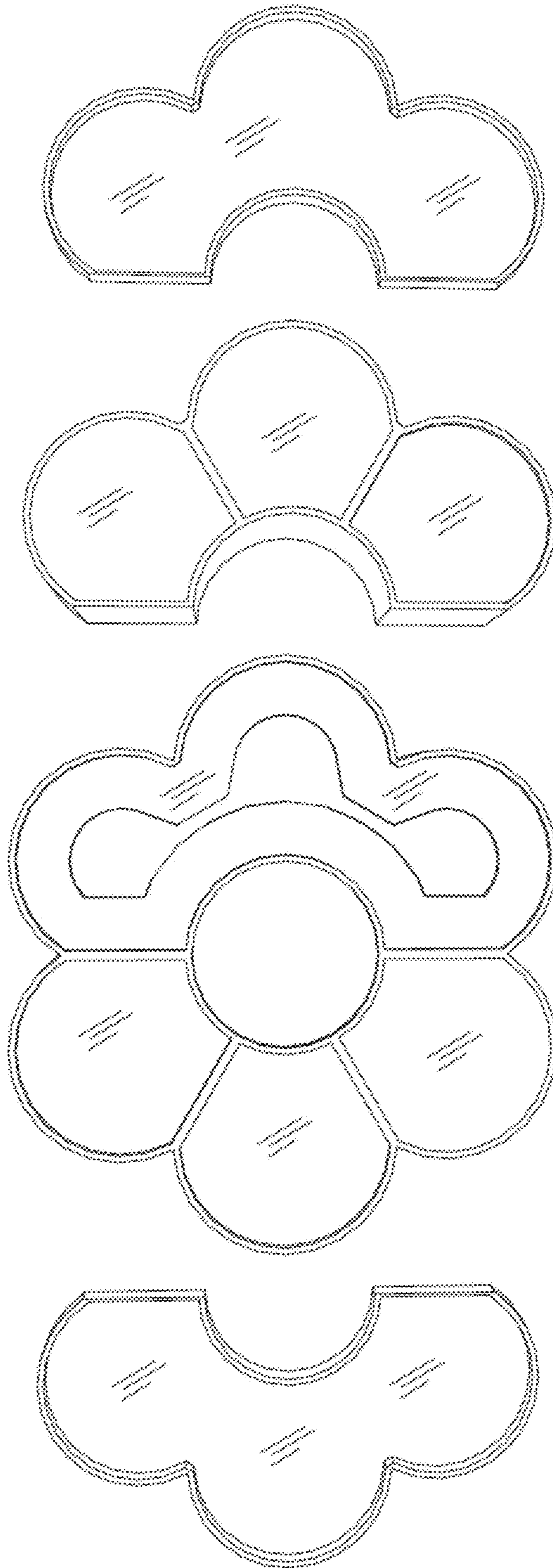


Figure 8

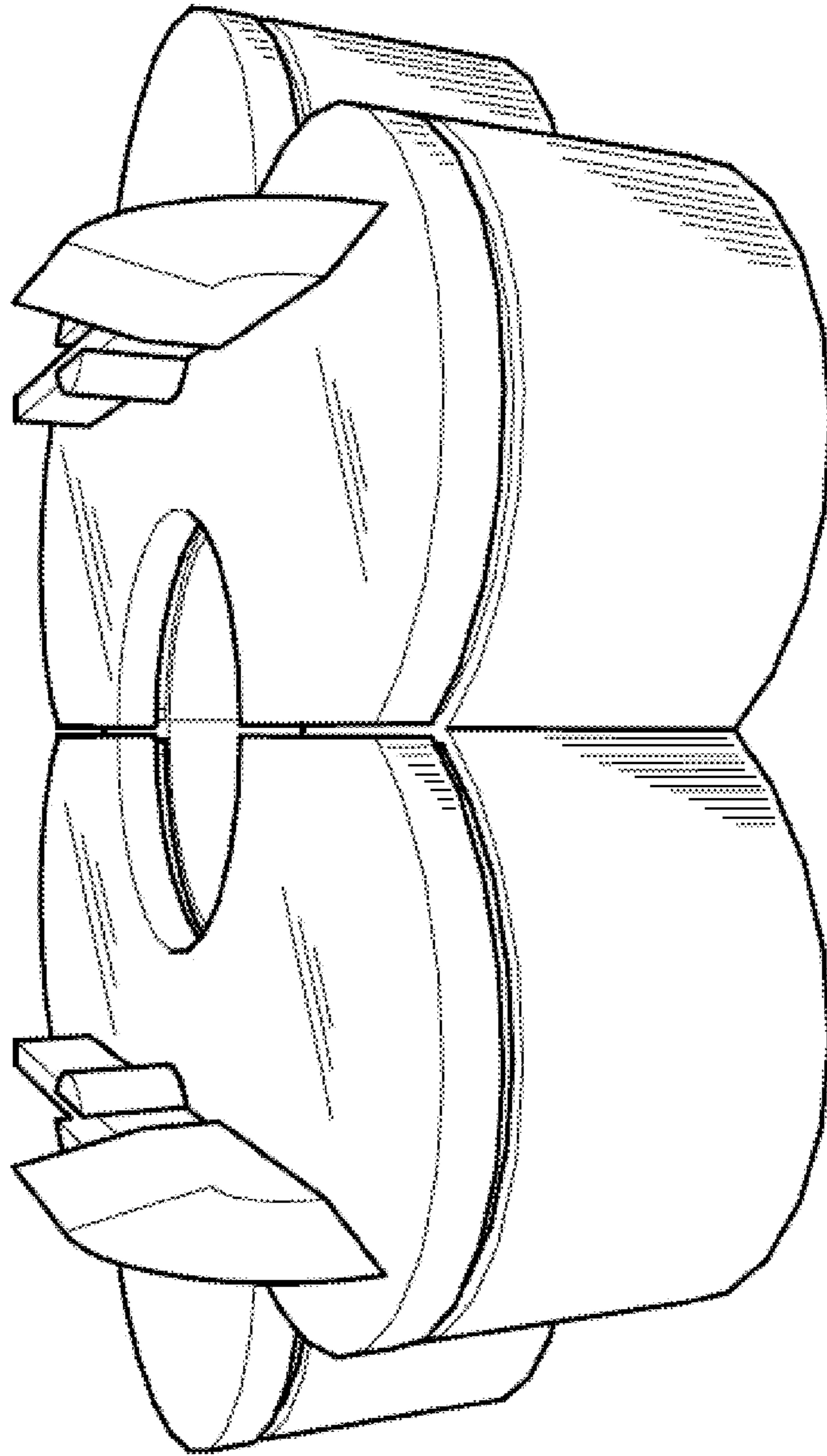


Figure 9

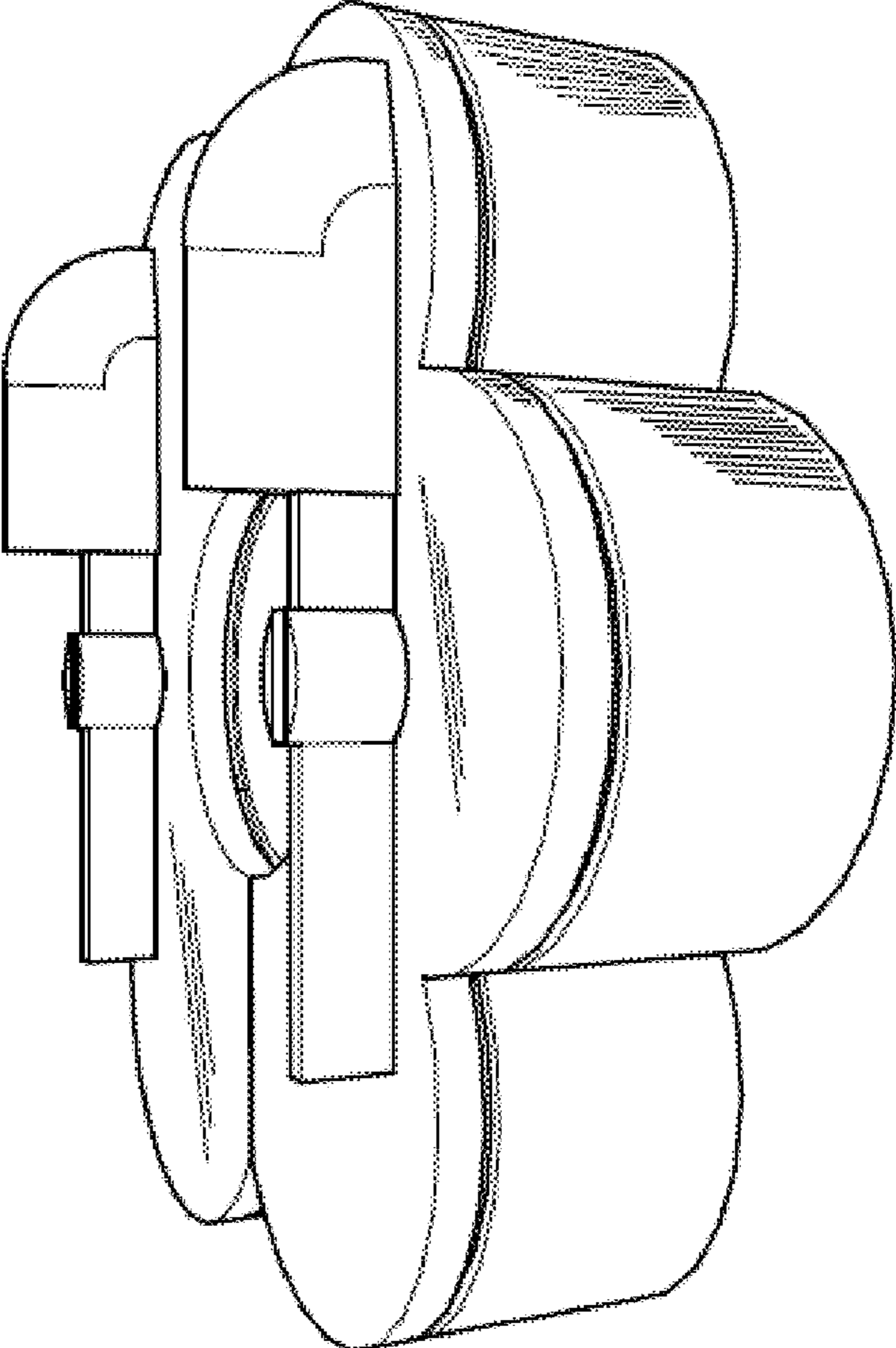


Figure 10

