



US00D795576S

(12) **United States Design Patent**
Klar

(10) **Patent No.:** **US D795,576 S**

(45) **Date of Patent:** **** *Aug. 29, 2017**

(54) **CLUTCH EYE GLASS CASE**

(71) Applicant: **Trendsformers, LLC**, West Orange, NJ (US)

(72) Inventor: **David Klar**, West Orange, NJ (US)

(73) Assignee: **TRENDSFORMERS**, West Orange, NJ (US)

(*) Notice: This patent is subject to a terminal disclaimer.

(**) Term: **14 Years**

(21) Appl. No.: **29/474,366**

(22) Filed: **Aug. 22, 2014**

(51) **LOC (10) Cl.** **03-01**

(52) **U.S. Cl.**

USPC **D3/265**

(58) **Field of Classification Search**

USPC D3/207, 215, 219, 229, 263–268, 301, D3/232, 233, 243; D12/417; D16/330, D16/339; 24/3.3, 3.7, 3.8; 206/5, 5.1, 6; 248/902; 351/112, 155

CPC A45C 11/04; A47F 7/02; A47F 7/021

See application file for complete search history.

(56) **References Cited**

U.S. PATENT DOCUMENTS

| | | | | | |
|-----------|-----|---------|-------------|-------|------------|
| 2,667,965 | A * | 2/1954 | Laibson | | A45C 11/04 |
| | | | | | 206/5 |
| 3,070,141 | A * | 12/1962 | Lowy | | A45C 1/00 |
| | | | | | 150/136 |
| D247,069 | S * | 1/1978 | Siris | | D3/301 |
| D250,225 | S * | 11/1978 | Sykes | | D3/243 |
| D279,522 | S * | 7/1985 | Scoppettone | | D3/265 |
| D482,865 | S * | 12/2003 | Fair | | D3/215 |
| D482,866 | S * | 12/2003 | Fair | | D3/263 |
| D505,012 | S * | 5/2005 | Godshaw | | D3/287 |

| | | | | | |
|----------|-----|---------|---------|-------|--------|
| D542,528 | S * | 5/2007 | Zapata | | D3/263 |
| D552,348 | S * | 10/2007 | Martin | | D3/265 |
| D559,540 | S * | 1/2008 | Choi | | D3/243 |
| D567,505 | S * | 4/2008 | Le Coq | | D3/260 |
| D573,793 | S * | 7/2008 | Bakker | | D3/283 |
| D595,503 | S * | 7/2009 | Guy | | D3/205 |
| D653,445 | S * | 2/2012 | Enghard | | D3/229 |
| D684,771 | S * | 6/2013 | Leblanc | | D3/289 |
| D718,930 | S * | 12/2014 | Cabana | | D3/215 |
| D730,042 | S * | 5/2015 | Slimane | | D3/243 |

* cited by examiner

Primary Examiner — T. Chase Nelson

(74) *Attorney, Agent, or Firm* — Jonathan E. Grant; Grant Patent Services

(57) **CLAIM**

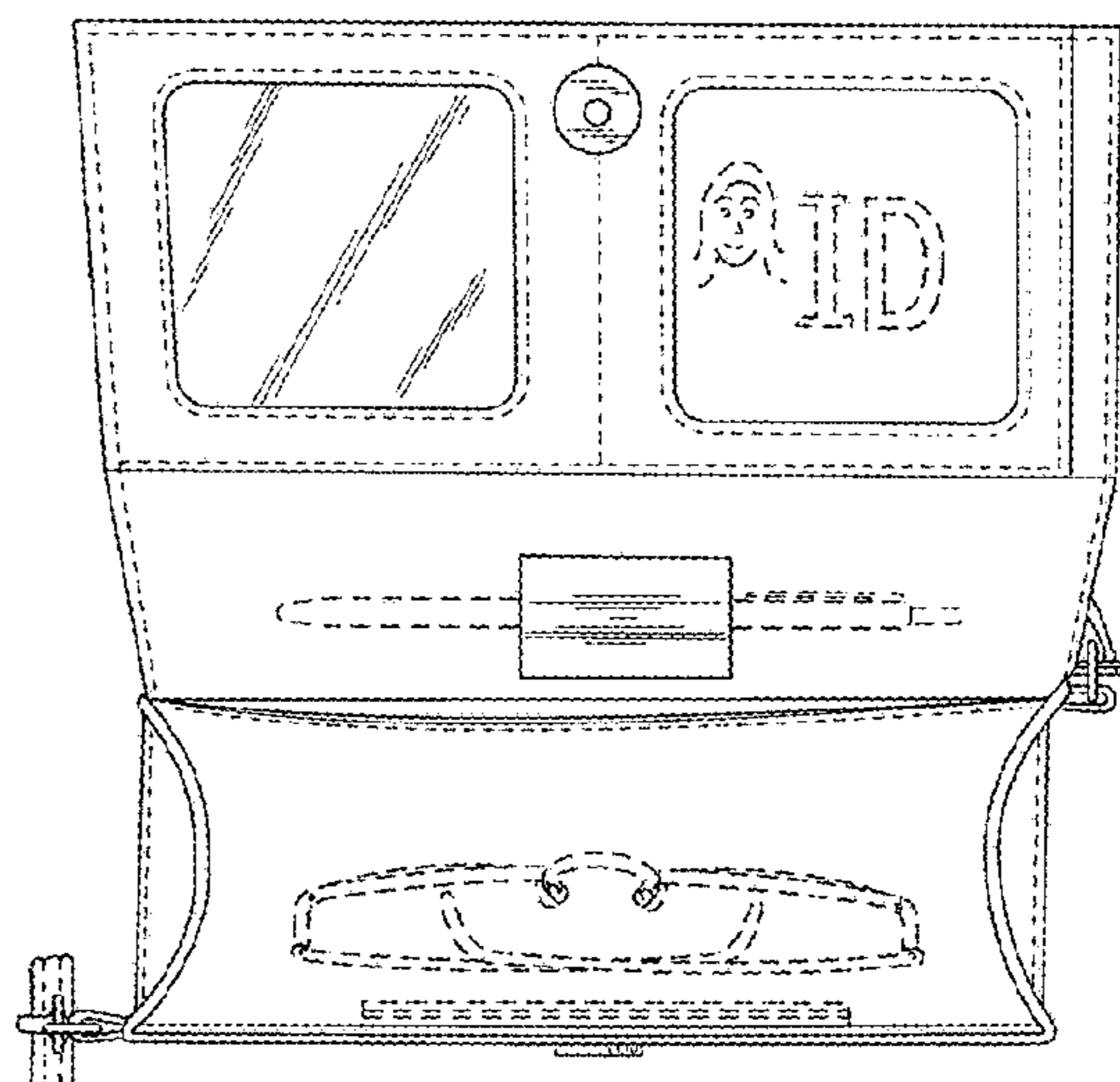
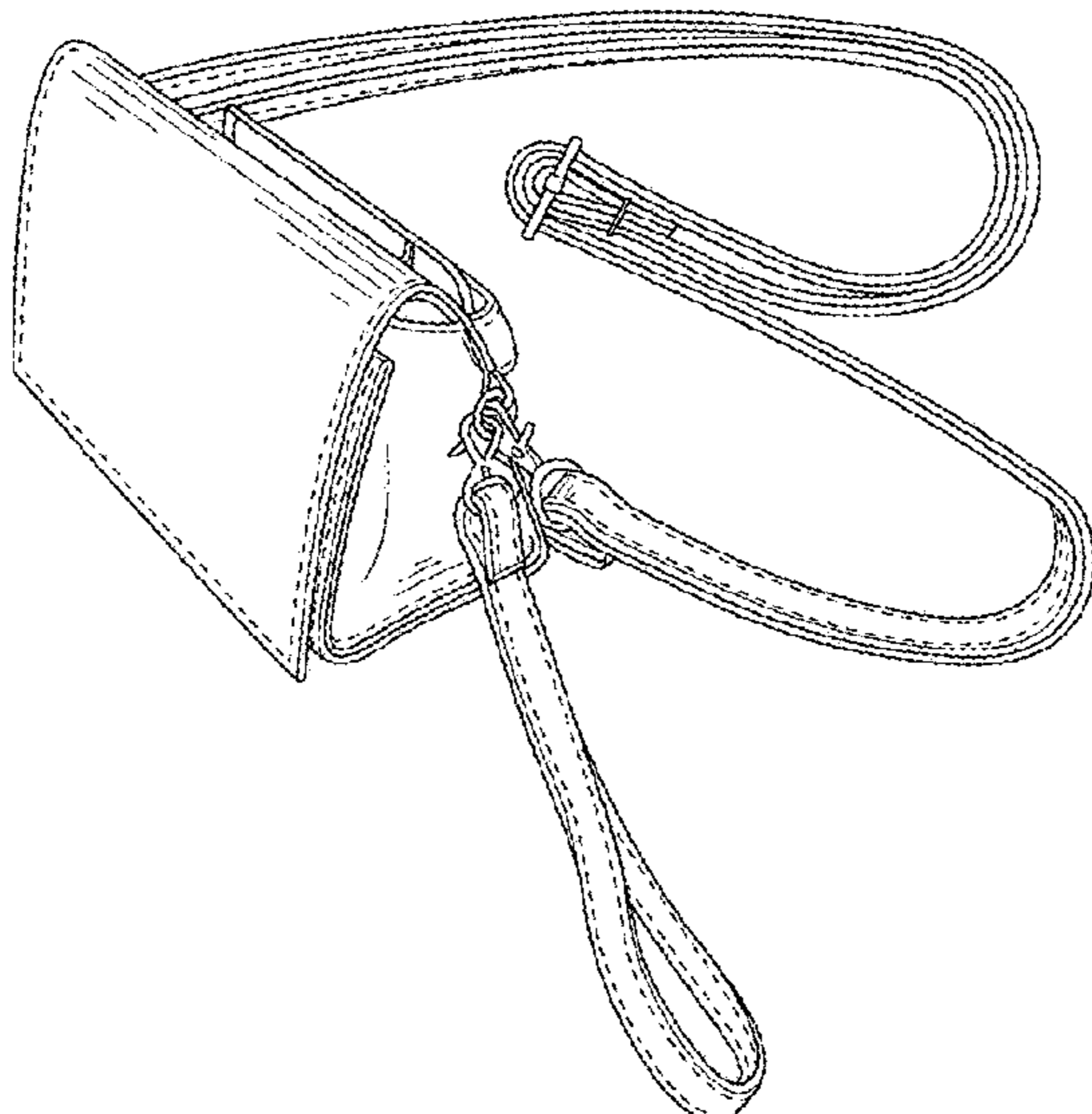
I claim a clutch eye glass case.

DESCRIPTION

FIG. 1—is a frontal perspective view;
FIG. 2—is a rear perspective view;
FIG. 3—is a frontal view with the entrance flap open;
FIG. 4—is a left side elevation thereof;
FIG. 5—is a right side elevation thereof; and,
FIG. 6—is a bottom plan view thereof with shoulder strap and wrist strap removed.

The broken lines near the perimeters and upon various surfaces of the clutch eye glass case and its straps depicts stitching, which forms a part of the claimed design. The broken line depictions of a pen, eyeglasses, and ID in FIG. 3 depict environmental structure associated with the design in a condition of use, and also form no part of the claimed design. The broken line rectangular element near the eye glasses in FIG. 3 depicts of portion of the clutch eye glass case that forms no part of the claimed design. In FIGS. 2 through 6, the shoulder and wrist straps are shown broken away for purposes of illustration, but they are shown in their entirety in FIG. 1.

1 Claim, 5 Drawing Sheets



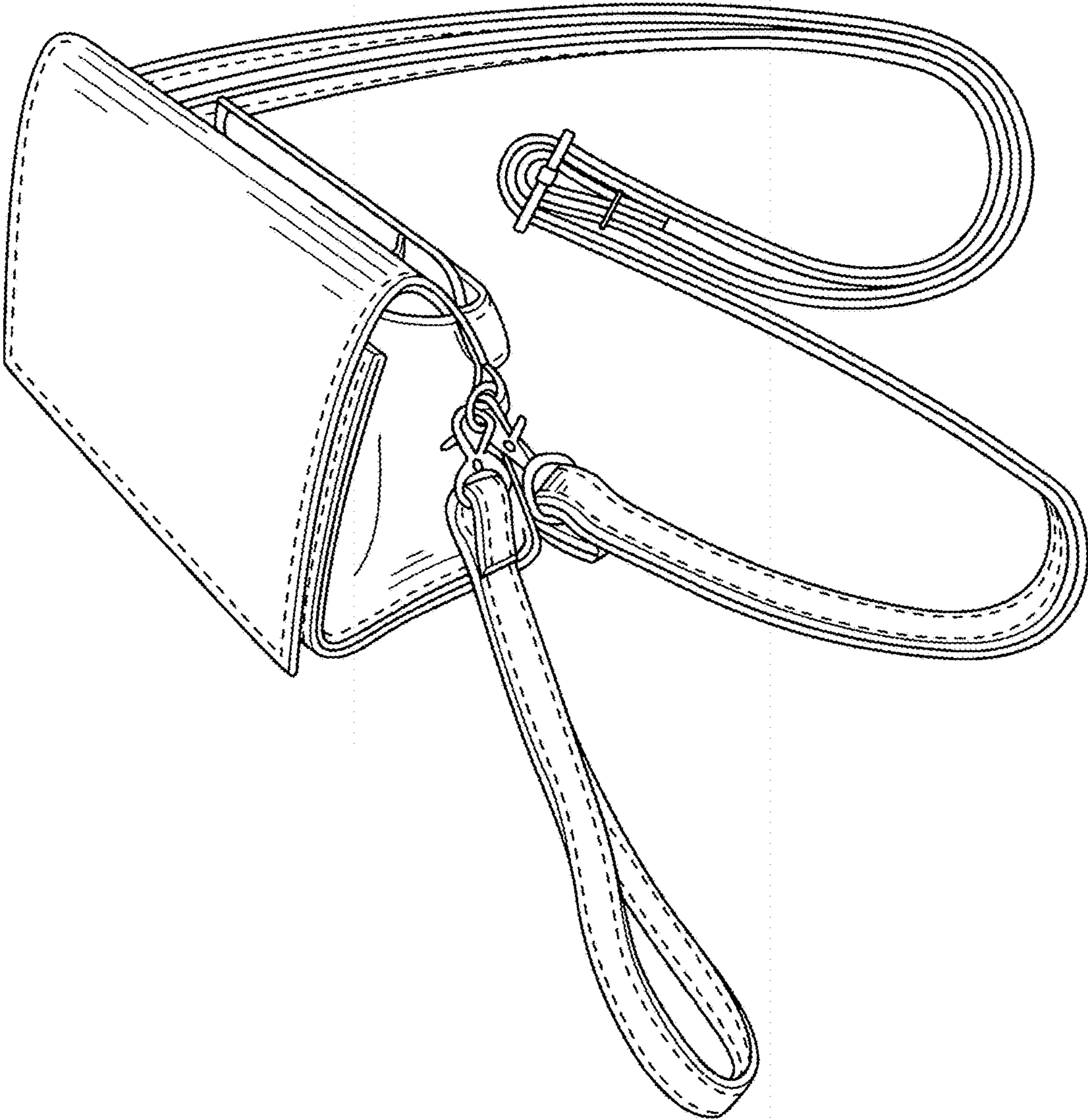


FIG. 1

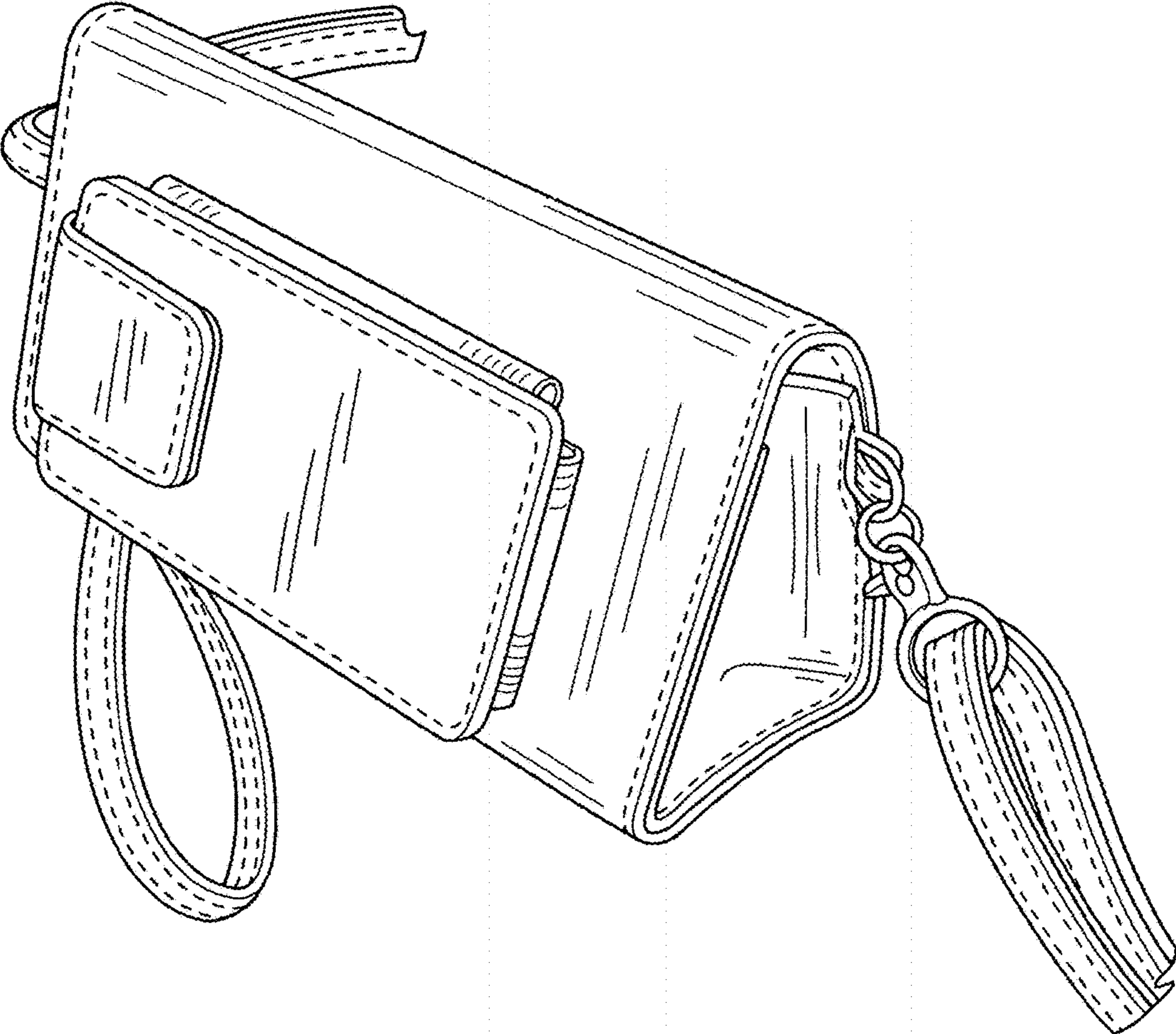


FIG. 2

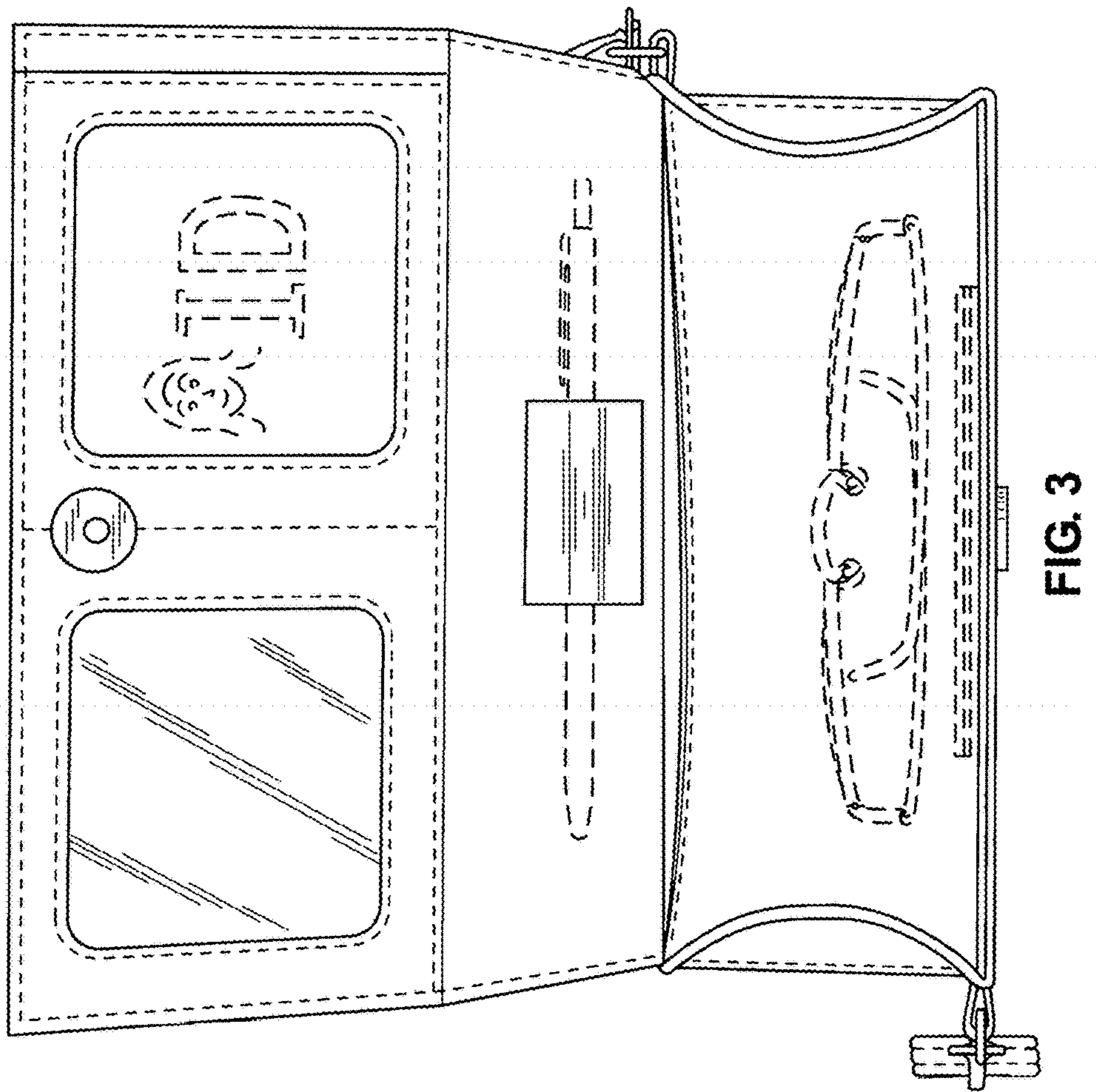


FIG. 3

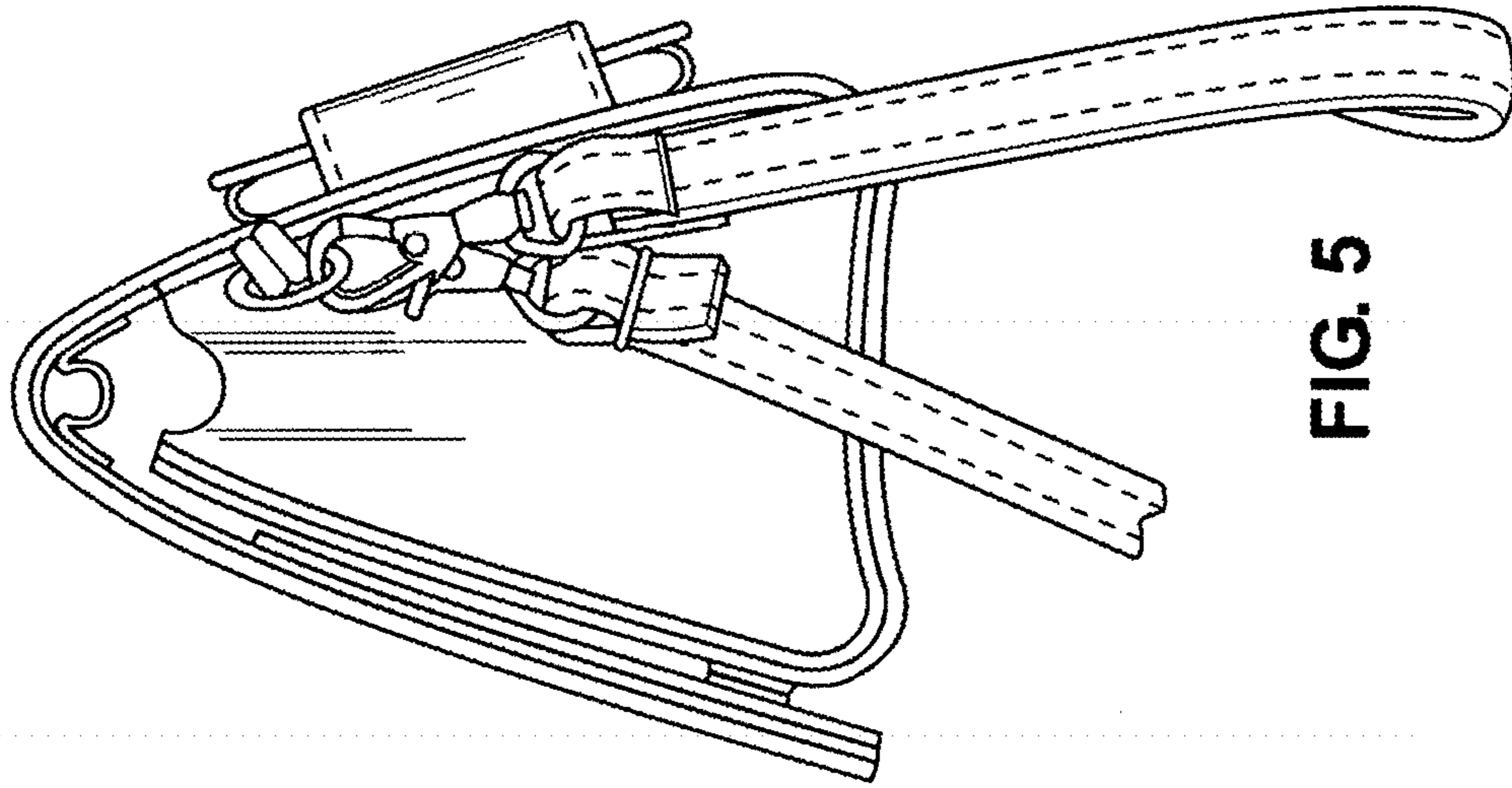


FIG. 5

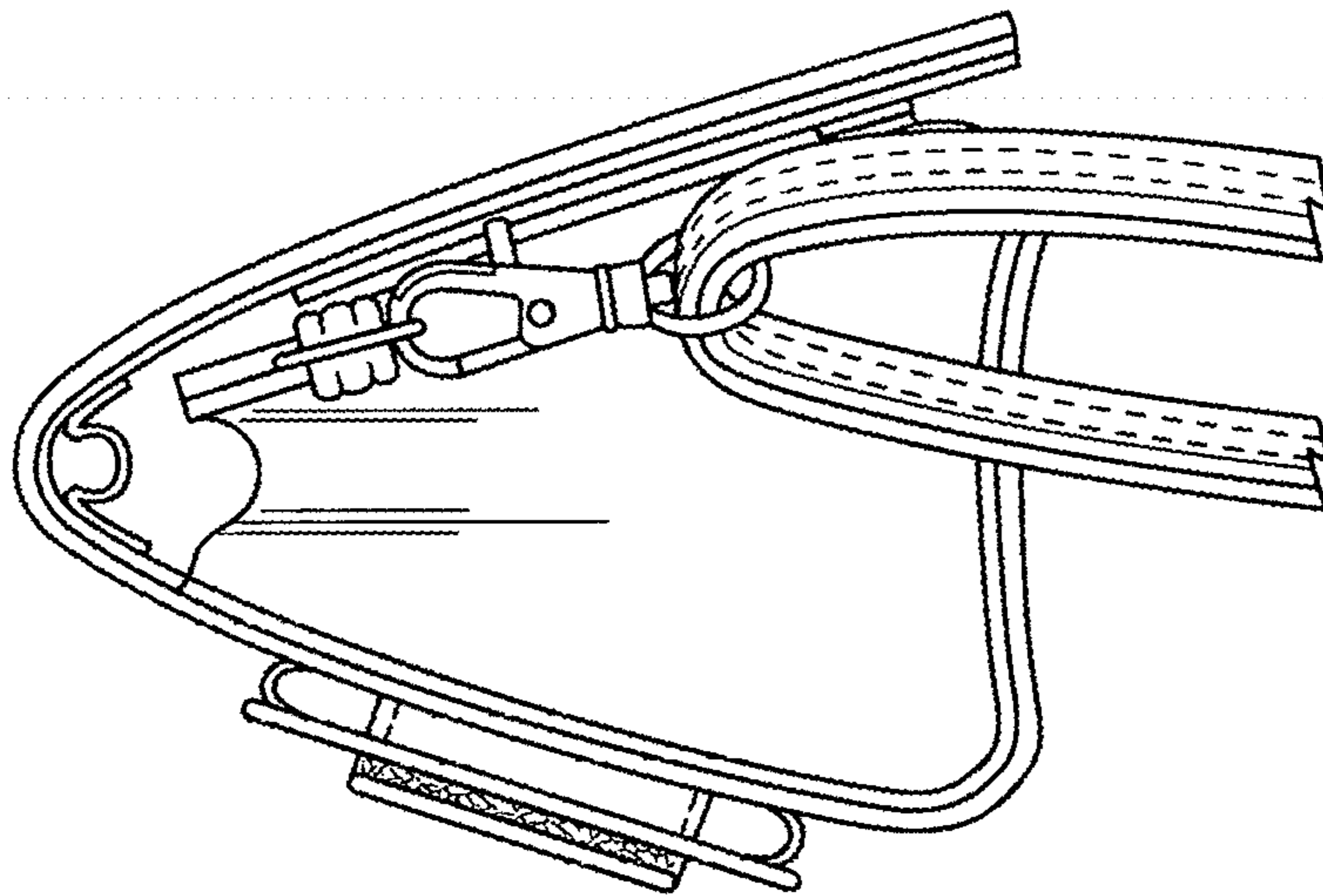


FIG. 4

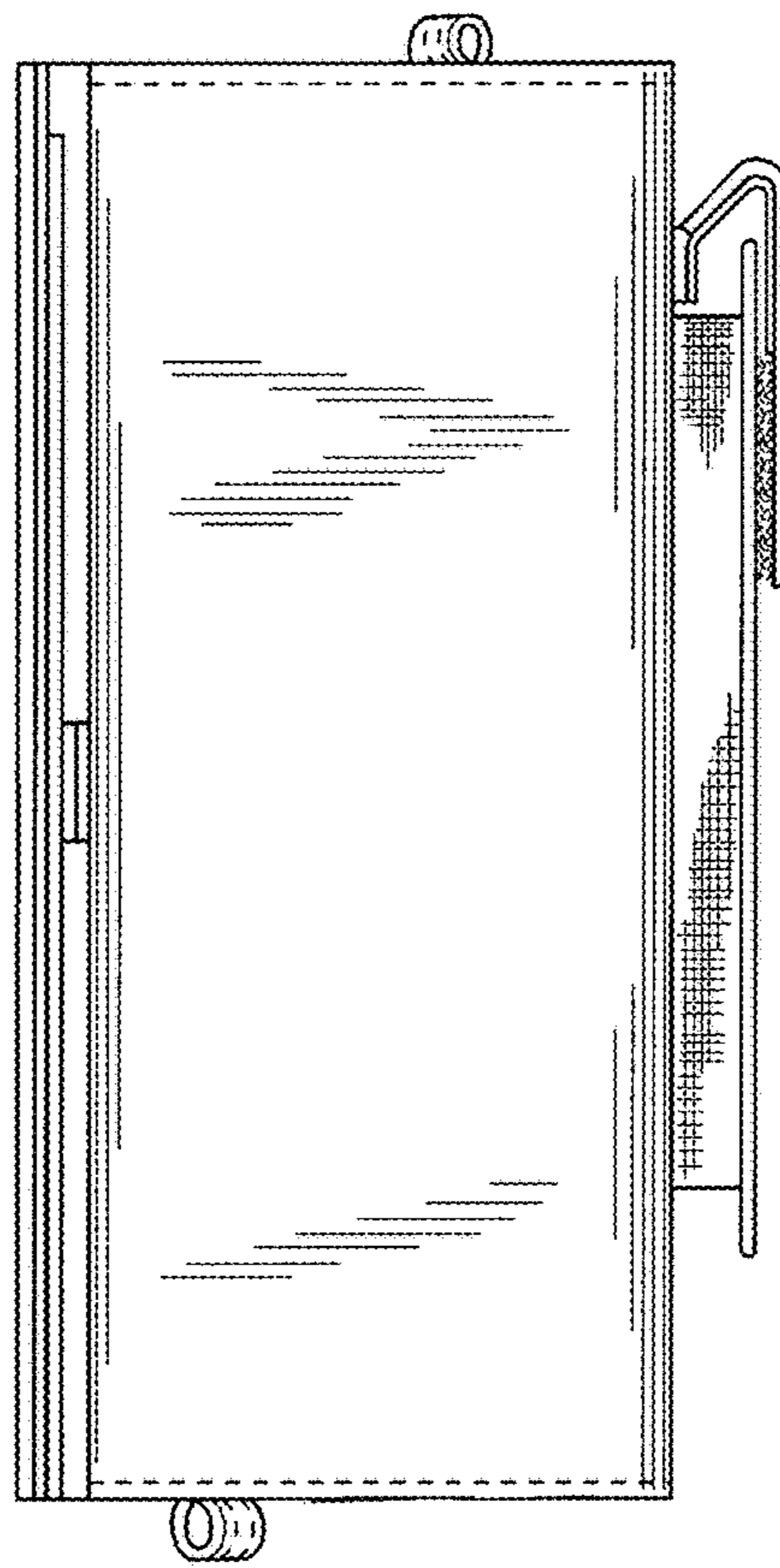


FIG. 6