



US00D795575S

(12) **United States Design Patent**
Barraco

(10) **Patent No.:** **US D795,575 S**

(45) **Date of Patent:** **** Aug. 29, 2017**

- (54) **FLY FISHING STATION**
- (71) Applicant: **John Barraco**, Sandy, UT (US)
- (72) Inventor: **John Barraco**, Sandy, UT (US)
- (**) Term: **15 Years**
- (21) Appl. No.: **29/559,601**
- (22) Filed: **Mar. 30, 2016**
- (51) **LOC (10) Cl.** **03-01**
- (52) **U.S. Cl.**
USPC **D3/260**
- (58) **Field of Classification Search**
USPC D3/201, 254, 260, 273, 276, 288, 290,
D3/294, 299, 304, 315, 905
CPC A01K 97/06
See application file for complete search history.

- 6,516,555 B2 * 2/2003 Buzzell A01K 97/06
43/57.1
- 6,527,113 B2 * 3/2003 Blake A01K 97/06
206/315.11
- D509,655 S * 9/2005 Barnes D3/260
- D670,909 S * 11/2012 Price D3/260
- D670,914 S * 11/2012 Price D3/260

* cited by examiner

Primary Examiner — Mitchell Siegel
(74) *Attorney, Agent, or Firm* — Morriss O’Bryant
Compagni

(56) **References Cited**

U.S. PATENT DOCUMENTS

- 4,023,304 A * 5/1977 Singer A01K 97/06
312/902
- D272,663 S * 2/1984 Forsberg D28/38
- 5,040,708 A * 8/1991 Blair A41H 19/00
206/391
- D338,555 S * 8/1993 Olson D3/260
- D361,201 S * 8/1995 Chaney D3/260
- D369,904 S * 5/1996 Taylor D3/260
- D383,601 S * 9/1997 Jones D3/260
- D383,897 S * 9/1997 Hare D3/260
- D420,509 S * 2/2000 Kennedy D3/260
- 6,119,269 A * 9/2000 Imler A41D 13/0012
2/102
- 6,209,255 B1 * 4/2001 Markowitz A01K 97/06
206/315.11

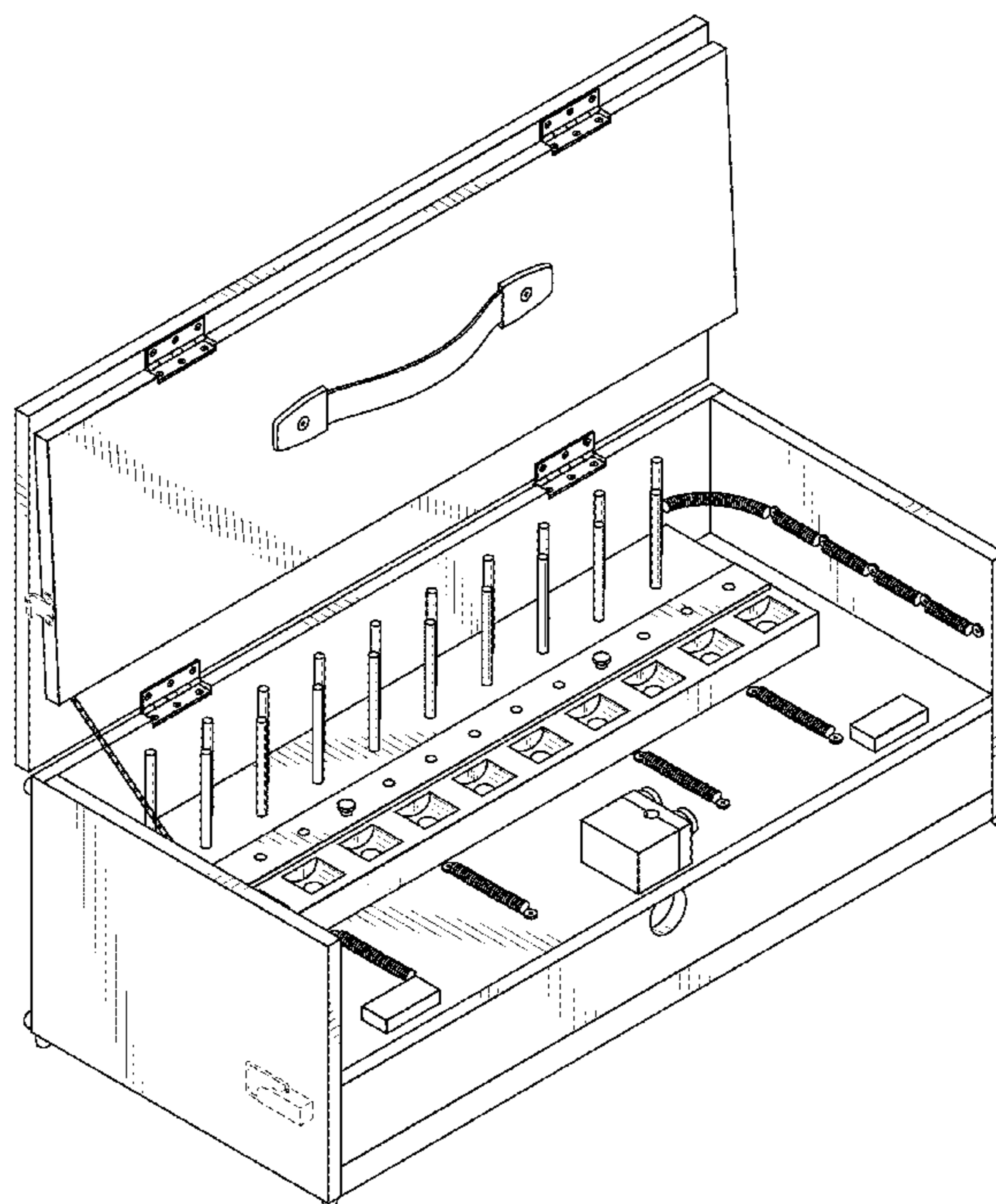
(57) **CLAIM**

The ornamental design for a fly fishing station, as shown and described herein.

DESCRIPTION

FIG. 1 is a perspective view of the fly fishing station when in an open and accessible orientation for use or display; FIG. 2 is a front view in elevation of the fly fishing station as shown in FIG. 1; FIG. 3 is a rear view in elevation of the fly fishing station as shown in FIG. 1; FIG. 4 is a top plan view of the fly fishing station shown in FIG. 1; FIG. 5 is a bottom view of the fly fishing station; FIG. 6 is an end view in elevation of the fly fishing station as shown in FIG. 1; and, FIG. 7 is the opposing end view in elevation of the fly fishing station that is shown in FIG. 6. The broken line showing is included for the purpose of illustrating and forms no part of the claimed design.

1 Claim, 7 Drawing Sheets



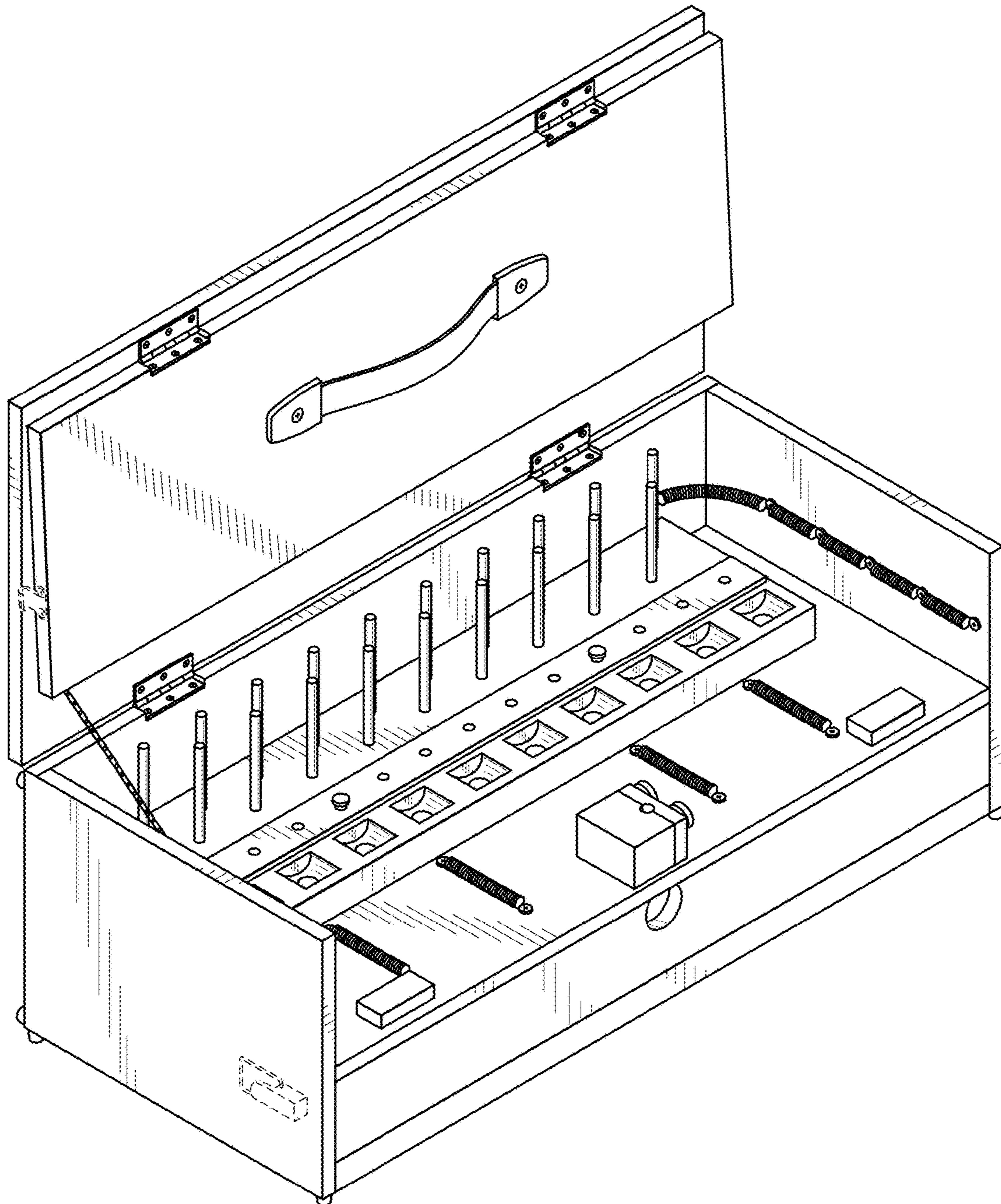


FIG. 1

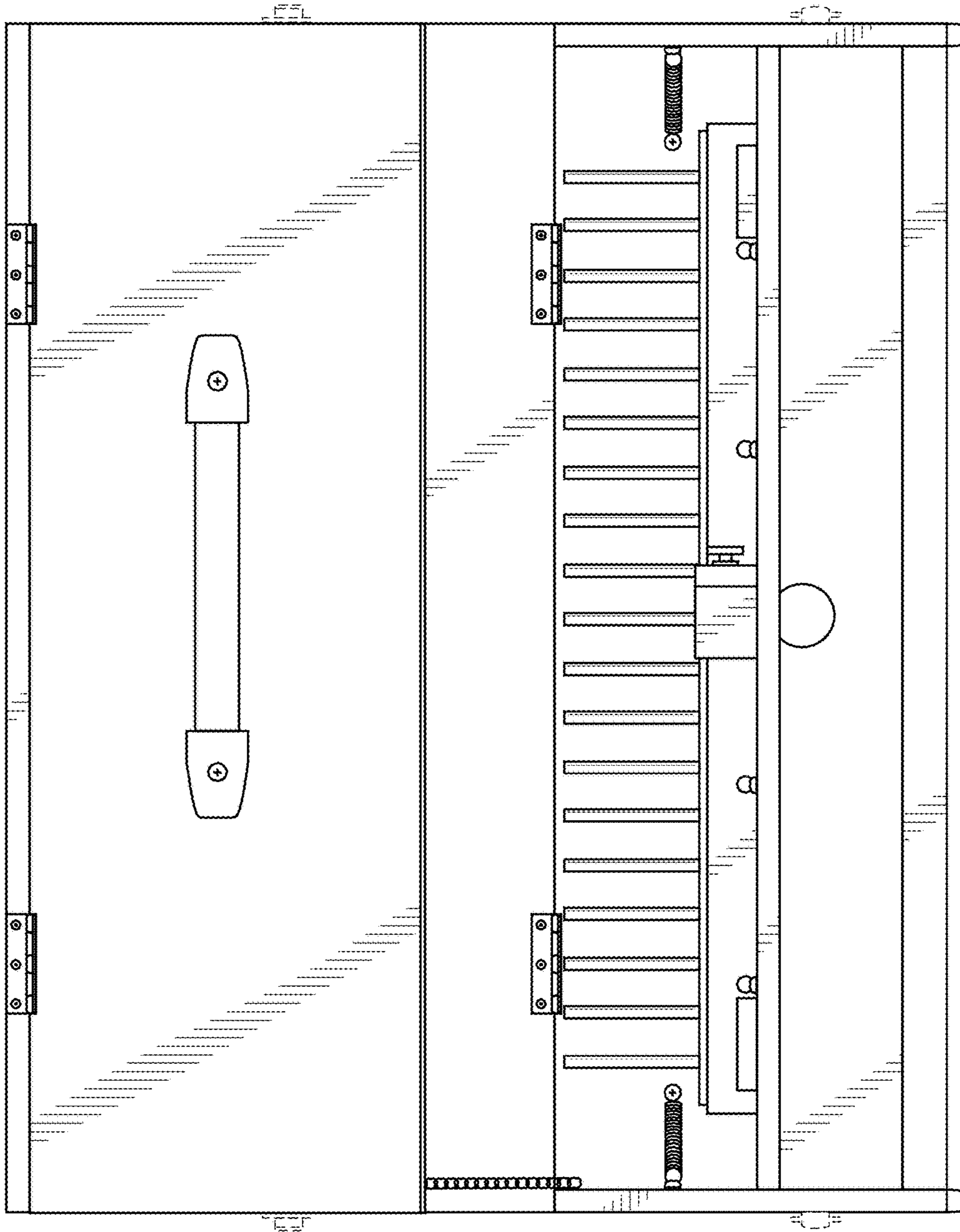


FIG. 2

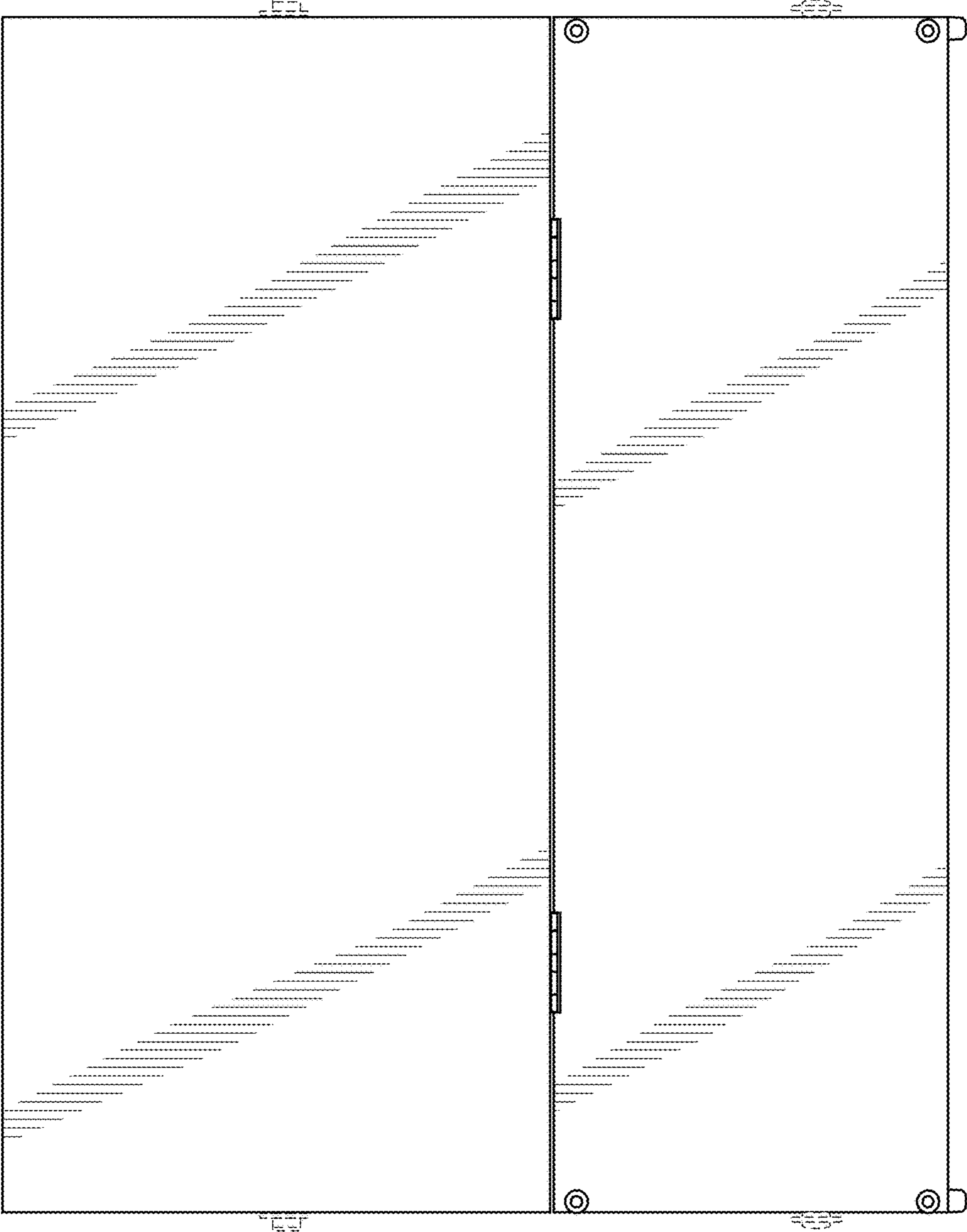


FIG. 3

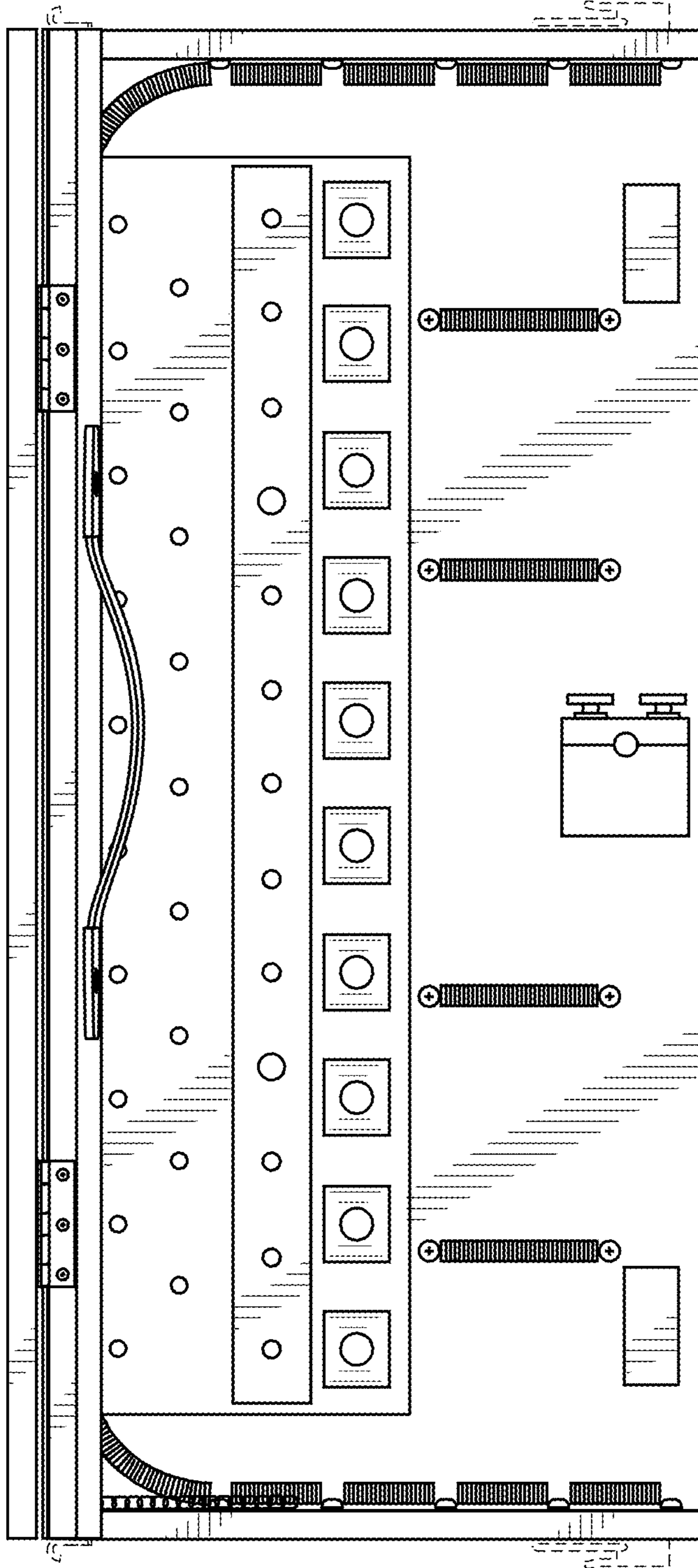


FIG. 4

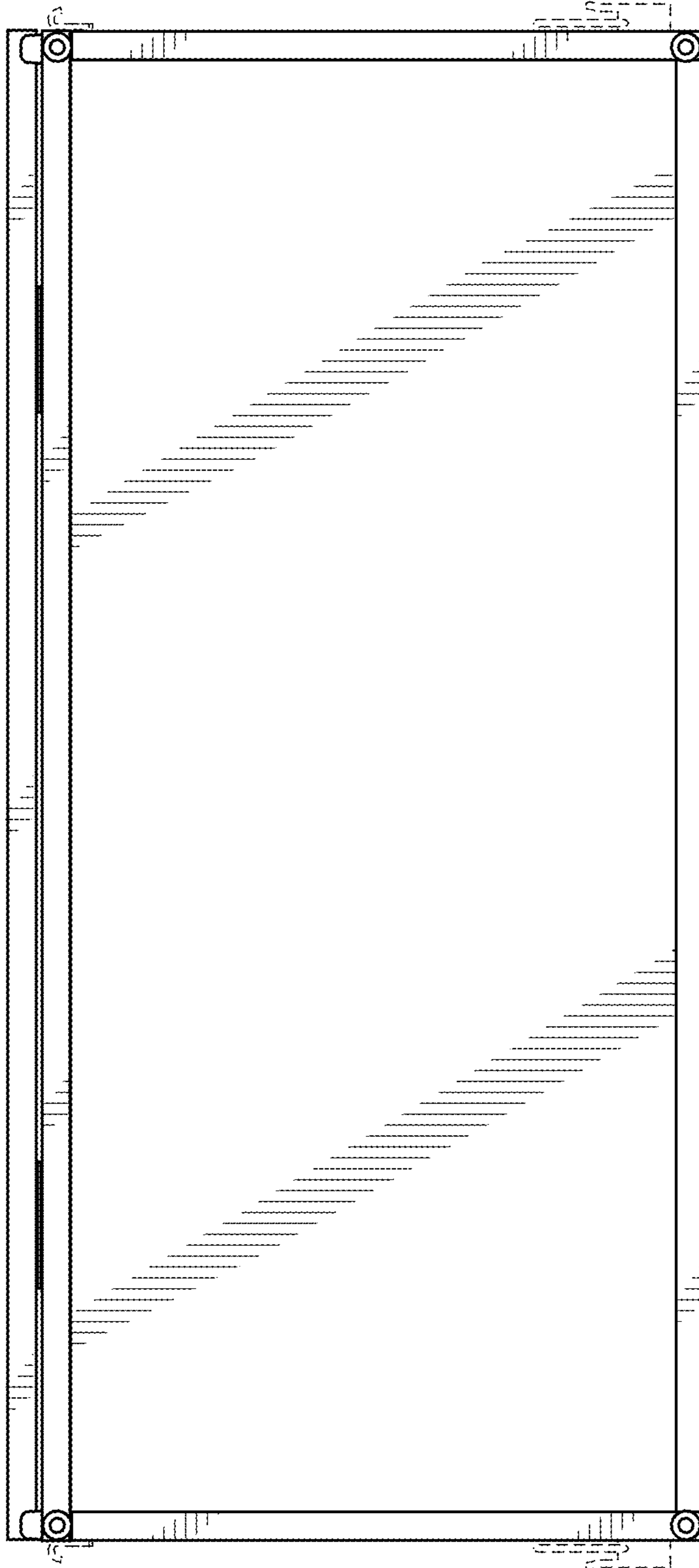


FIG. 5

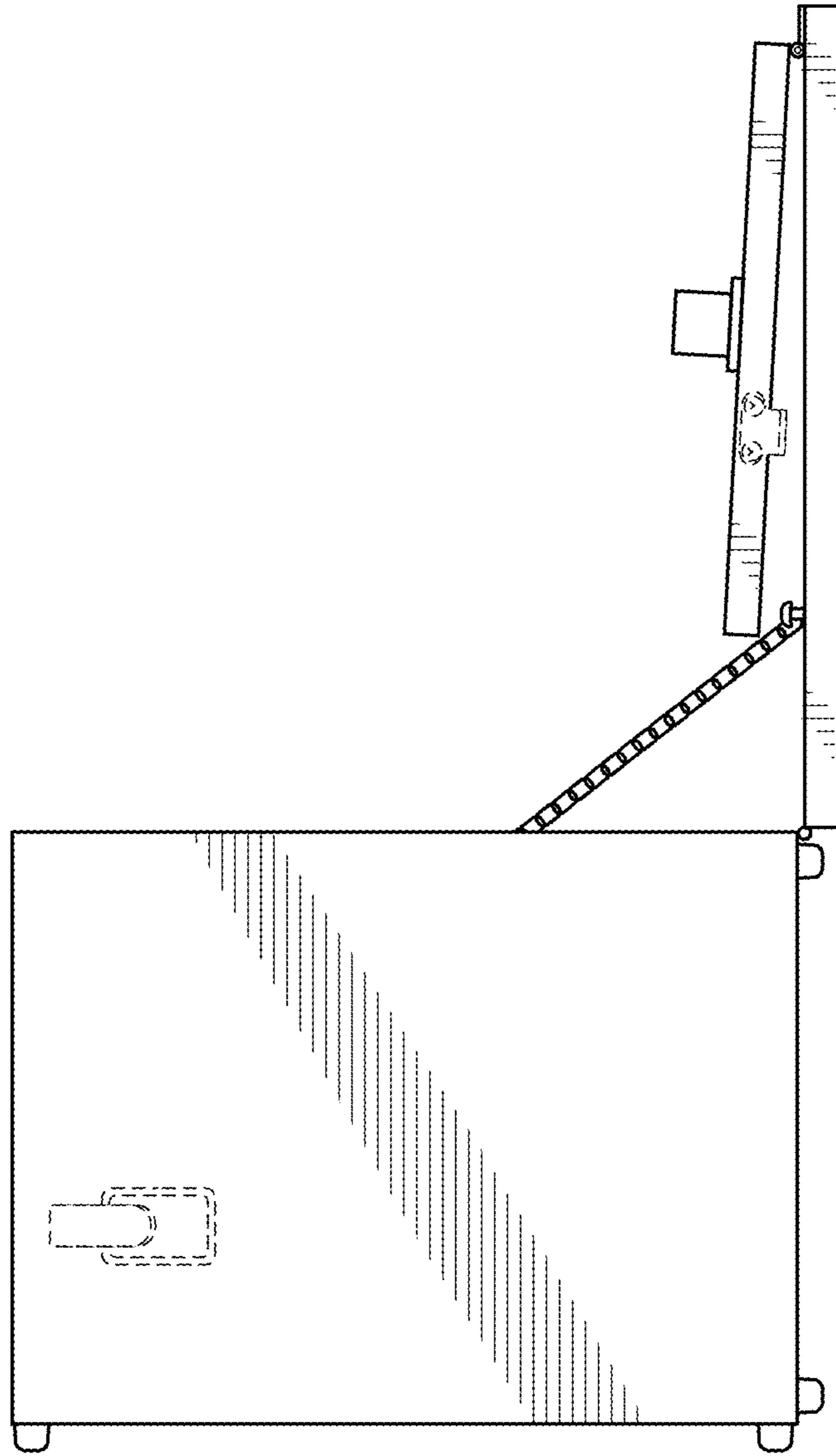


FIG. 6

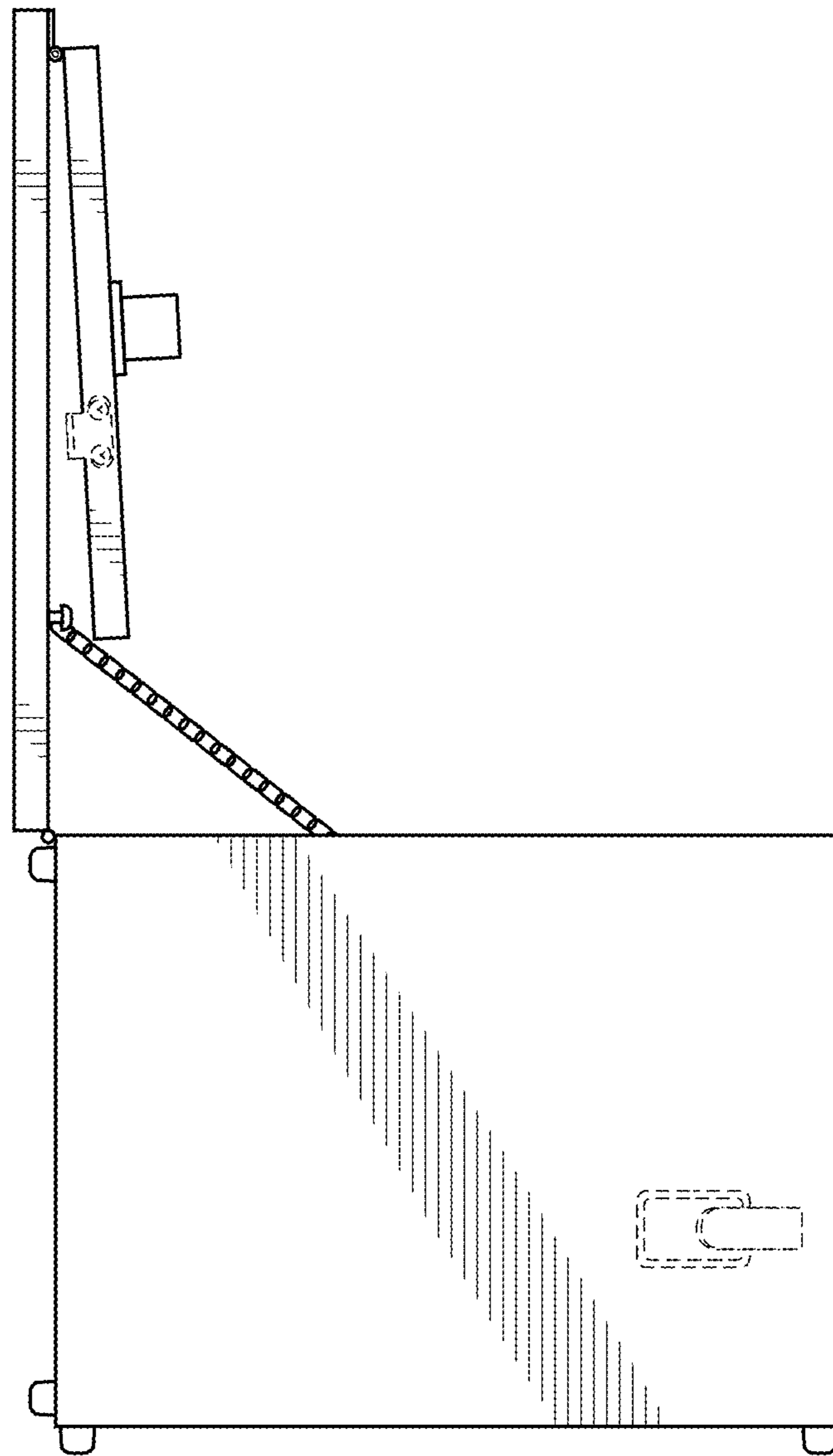


FIG. 7