



US00D795571S

(12) **United States Design Patent**
Nair

(10) **Patent No.:** **US D795,571 S**

(45) **Date of Patent:** **** Aug. 29, 2017**

(54) **HANDBAG**

(71) Applicant: **MOYNAT PARIS SAS**, Paris (FR)

(72) Inventor: **Ramesh Nair**, Paris (FR)

(73) Assignee: **MOYNAT PARIS SAS**, Paris (FR)

(**) Term: **15 Years**

(21) Appl. No.: **29/562,282**

(22) Filed: **Apr. 25, 2016**

(30) **Foreign Application Priority Data**

Nov. 17, 2015 (EP) 002863423-0005

(51) **LOC (10) Cl.** **03-01**

(52) **U.S. Cl.**
USPC **D3/243**

(58) **Field of Classification Search**

USPC D3/232-233, 240-243, 245-246, 289,
D3/294

CPC .. A45C 1/024; A45C 3/08; A45C 5/02; A45C
3/02; A45C 2003/005; A45C 15/00

See application file for complete search history.

(56) **References Cited**

U.S. PATENT DOCUMENTS

1,655,822 A * 1/1928 Roth A45C 3/02
16/410

D368,370 S * 4/1996 Tawil D3/276

6,010,050 A * 1/2000 Tarr A45C 3/02
224/578

D504,229 S * 4/2005 Duvigneau D3/243

D572,468 S * 7/2008 Nair D3/232

D596,398 S * 7/2009 Chu D3/283

D604,049 S * 11/2009 Chu D3/321

D613,502 S * 4/2010 Hardy D3/247

D643,210 S * 8/2011 Littleton D3/218

* cited by examiner

Primary Examiner — Holly Baynham

(74) *Attorney, Agent, or Firm* — Avery N. Goldstein;
Blue Filament Law PLLC

(57) **CLAIM**

The ornamental design for a handbag, as shown and described.

DESCRIPTION

FIG. 1 is a perspective view of a handbag showing my new design;

FIG. 2 is a front view thereof;

FIG. 3 is a top view thereof;

FIG. 4 is a right side view thereof;

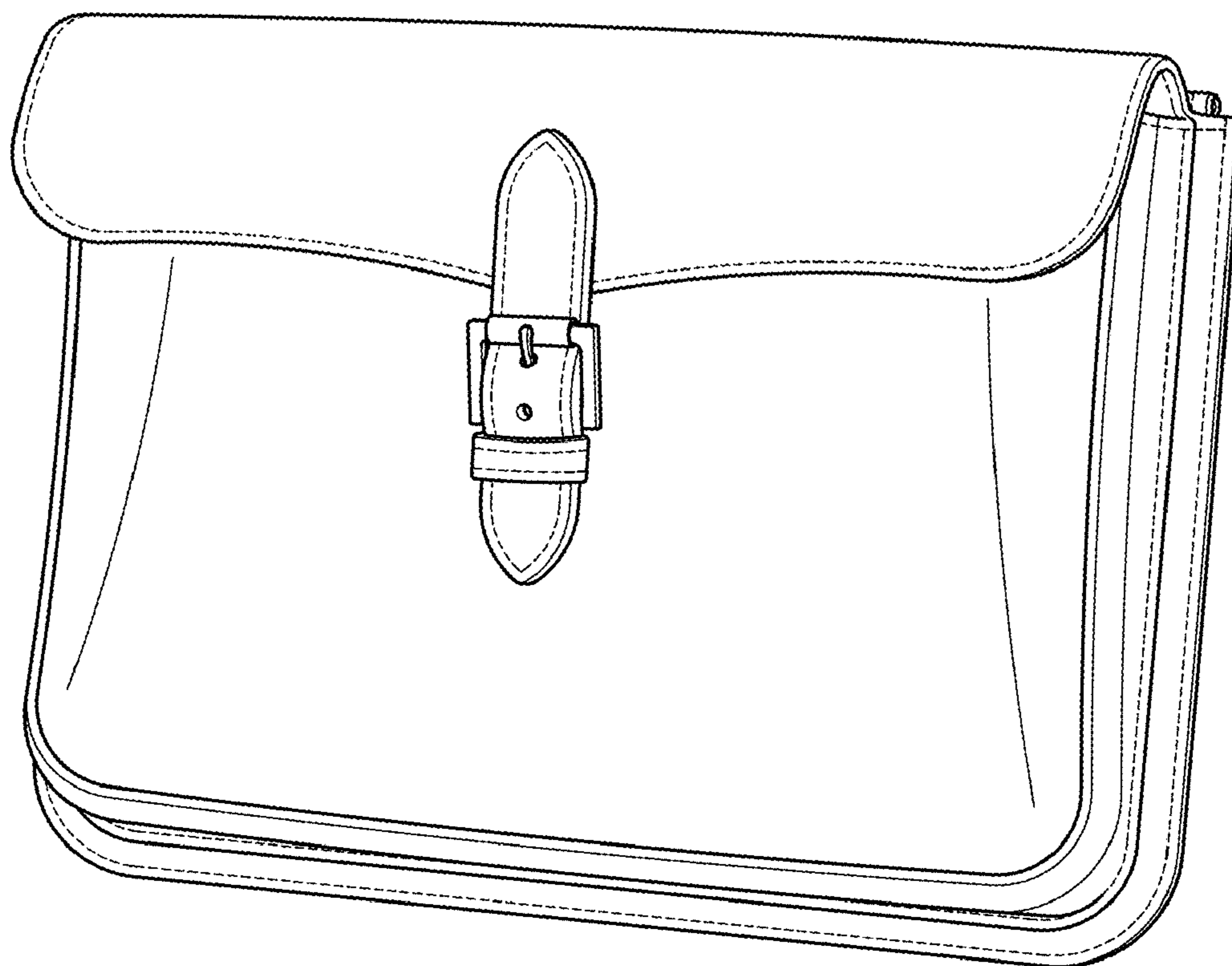
FIG. 5 is a left side view thereof;

FIG. 6 is a bottom view thereof; and,

FIG. 7 is a back view thereof.

The dashed lines in the figures denote stitching on the handbag and are part of the claimed design.

1 Claim, 3 Drawing Sheets



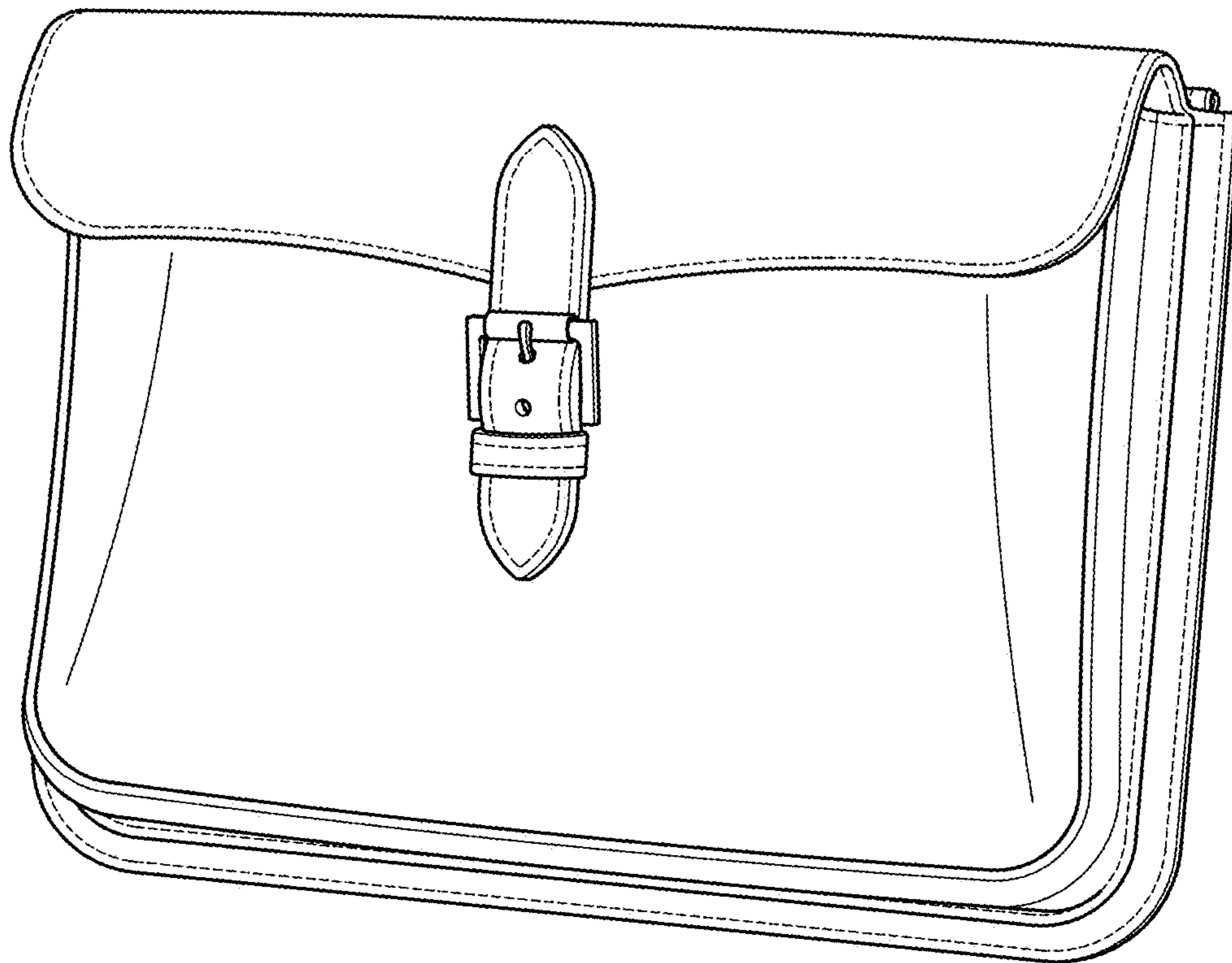


FIG. 1

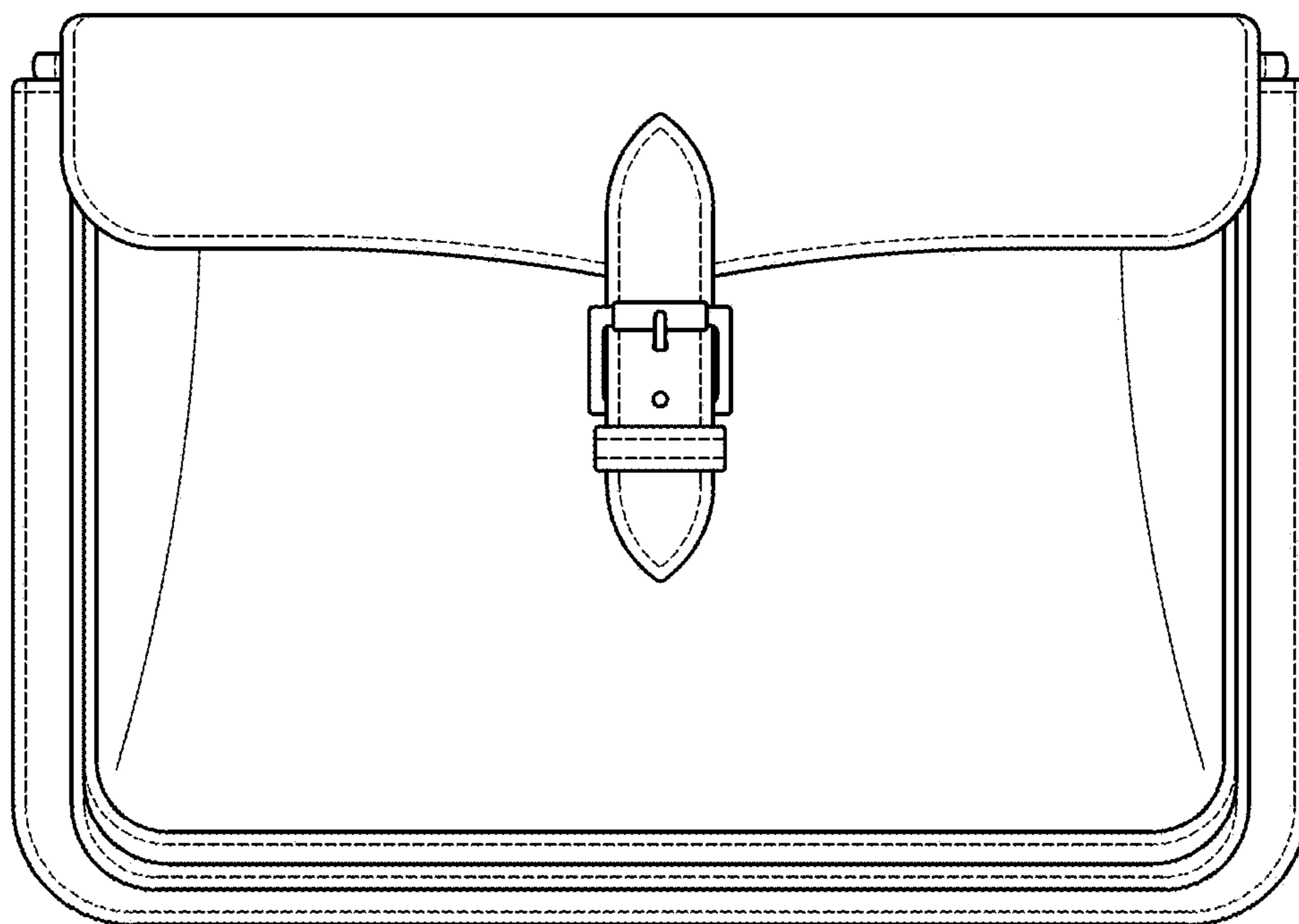


FIG. 2

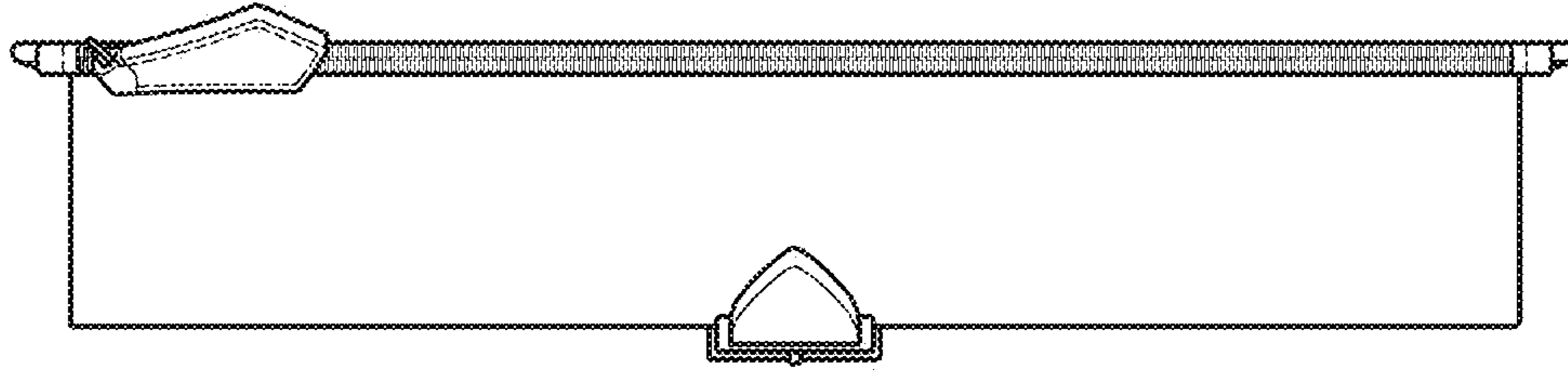


FIG. 3

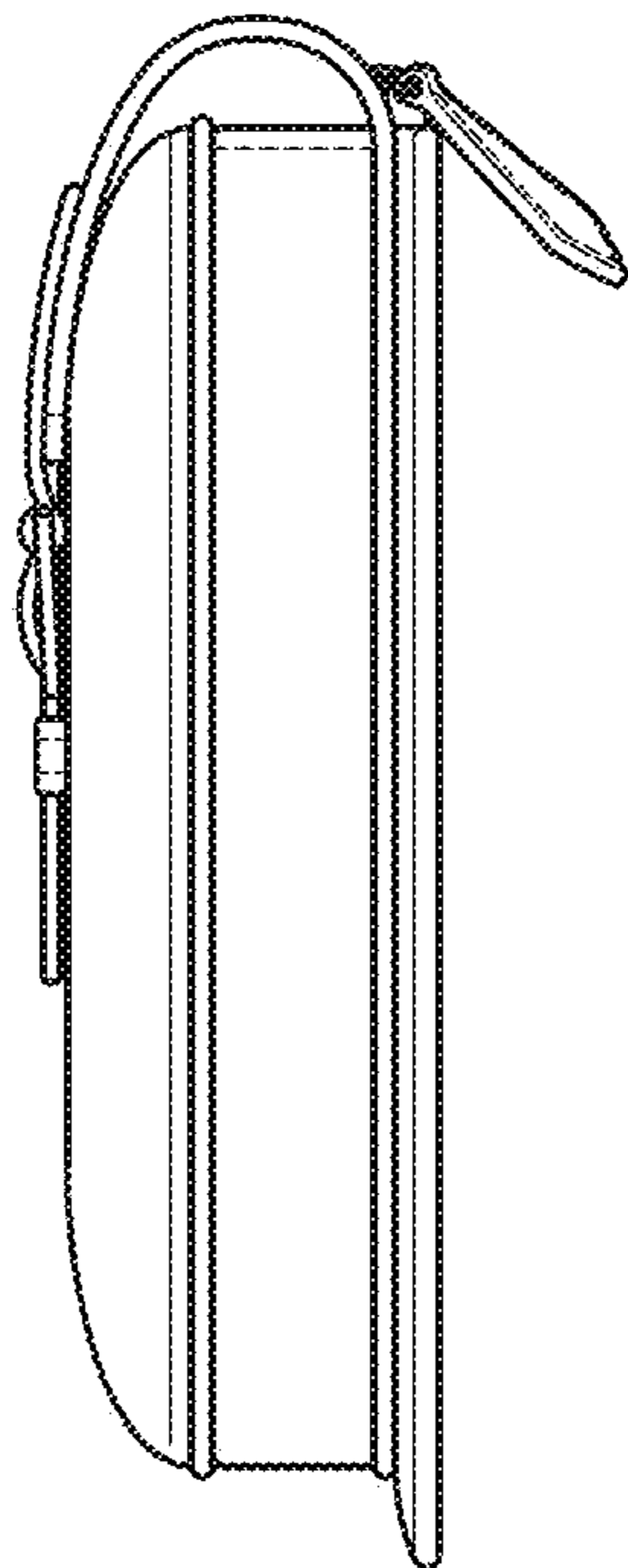


FIG. 4

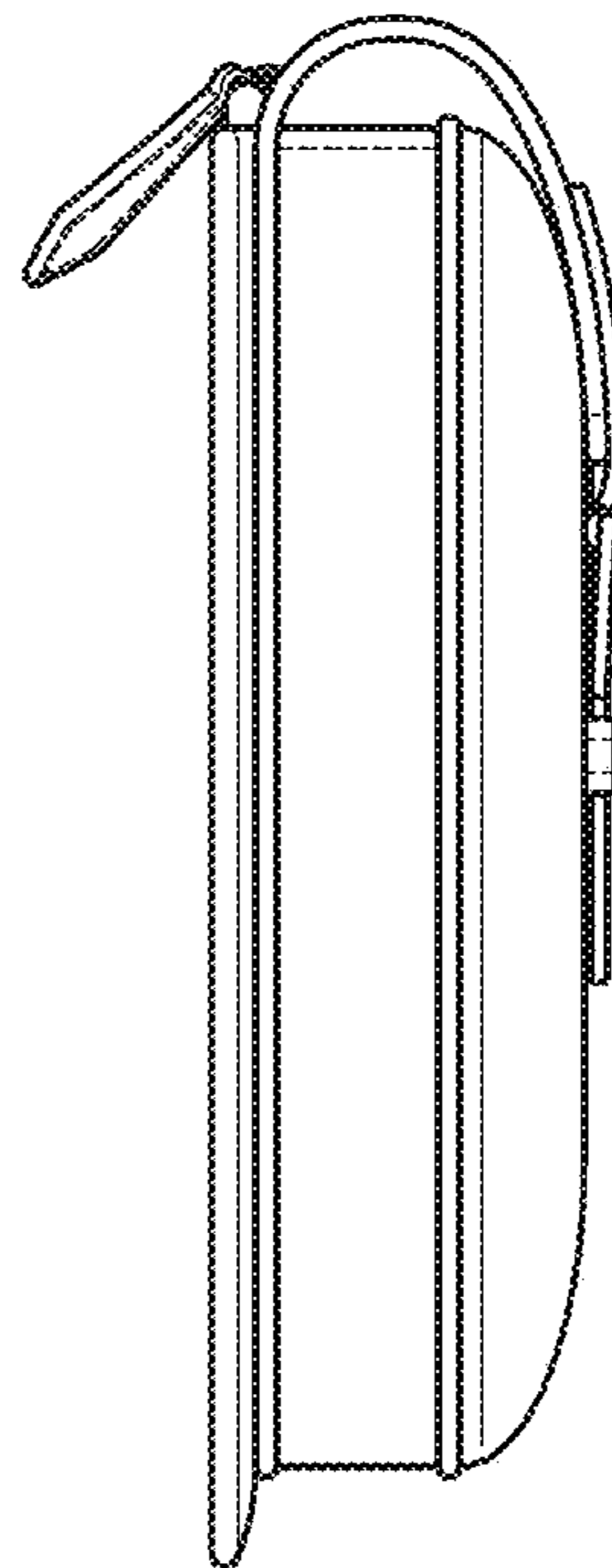


FIG. 5

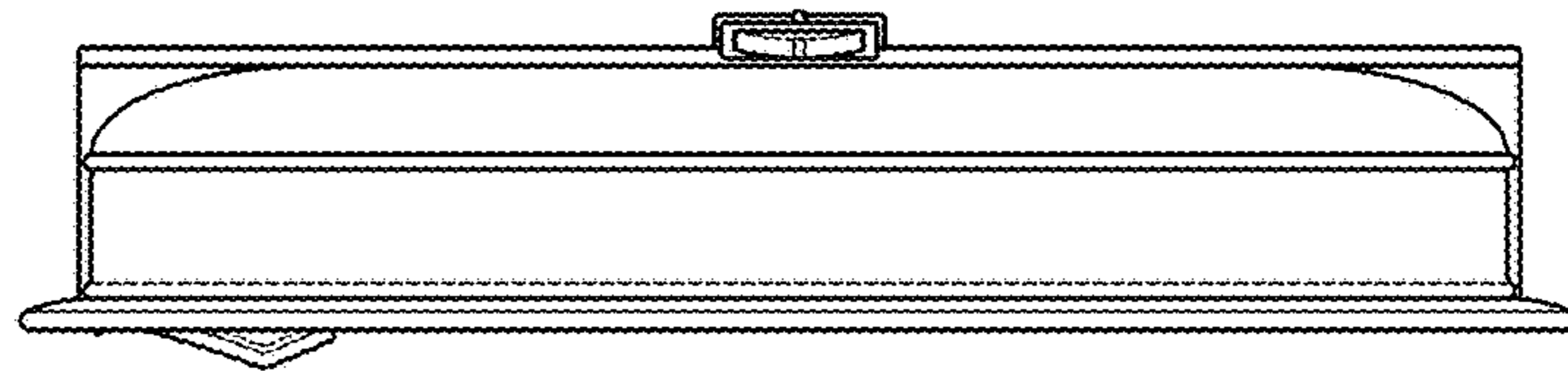


FIG. 6

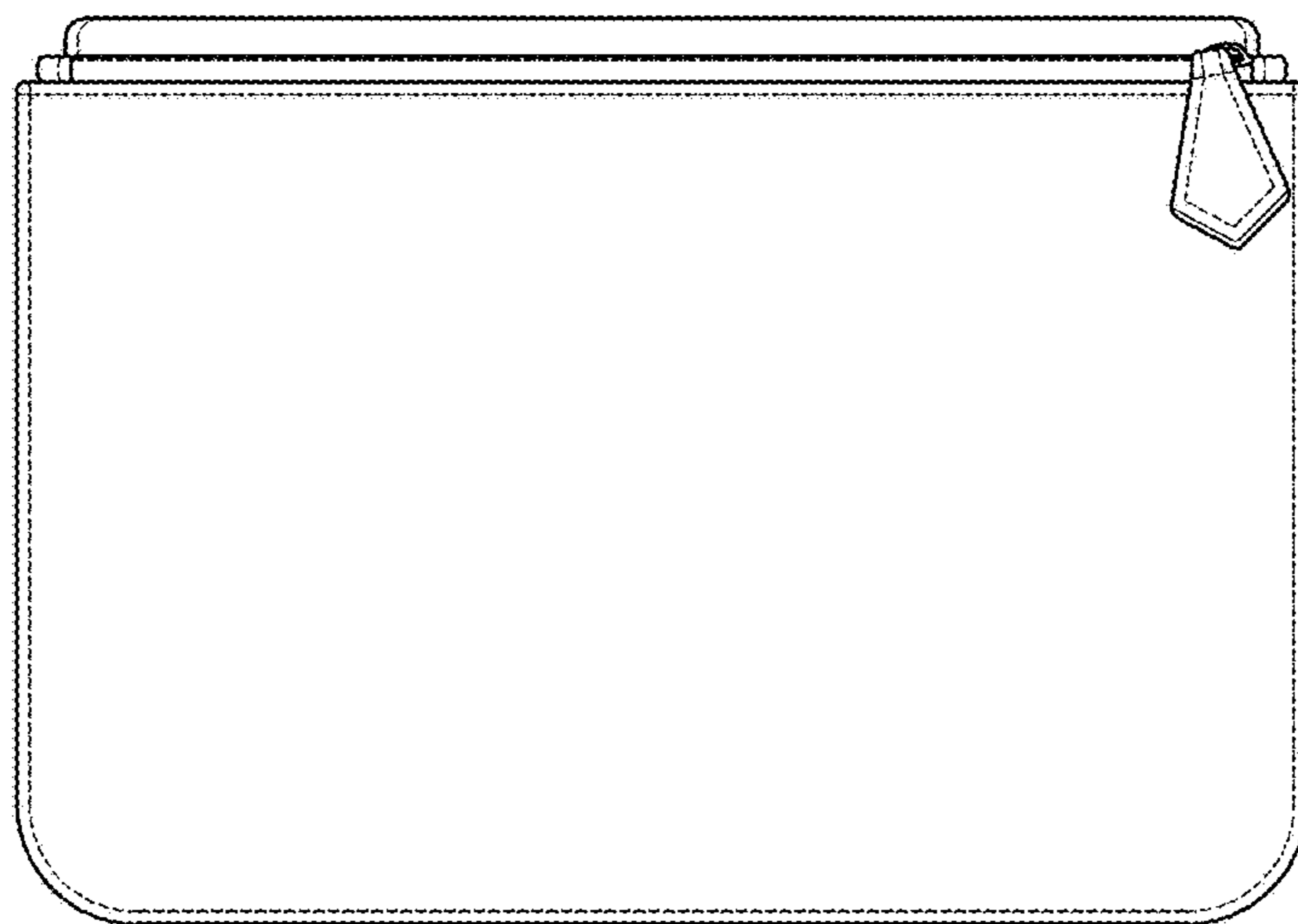


FIG. 7