

US00D795570S

(12) **United States Design Patent**  
**Lacroix**

(10) **Patent No.:** **US D795,570 S**

(45) **Date of Patent:** **\*\* Aug. 29, 2017**

(54) **DRILL CADDY**

(71) Applicant: **James E. Lacroix**, Beaverton (CA)

(72) Inventor: **James E. Lacroix**, Beaverton (CA)

(\*\*) Term: **15 Years**

(21) Appl. No.: **29/569,077**

(22) Filed: **Jun. 23, 2016**

(51) **LOC (10) Cl.** ..... **03-01**

(52) **U.S. Cl.**  
USPC ..... **D3/228**

(58) **Field of Classification Search**  
USPC ..... D3/228, 215, 224, 226, 222-223;  
224/240, 253, 236, 245, 63, 666, 901.4  
CPC .... A45F 5/00; A45F 5/02; A45F 5/021; A45F  
2200/0591; A45F 2200/0575; A45F  
2200/0566

See application file for complete search history.

(56) **References Cited**

**U.S. PATENT DOCUMENTS**

D293,201 S 12/1987 House, II et al.  
D297,608 S 9/1988 House, II et al.  
4,917,281 A \* 4/1990 Ostermiller ..... A45F 5/02  
224/240  
D314,670 S \* 2/1991 Schultz ..... D3/228

D409,831 S \* 5/1999 Lyles ..... D3/228  
6,065,658 A 5/2000 Hashimoto  
D448,556 S \* 10/2001 Snider ..... D3/228  
D455,901 S \* 4/2002 Snider ..... D3/228  
6,561,402 B2 5/2003 Holland et al.  
8,123,098 B2 2/2012 Miyata  
2013/0112445 A1 5/2013 Drako

\* cited by examiner

*Primary Examiner* — Catheri Oliver-Garcia

(74) *Attorney, Agent, or Firm* — Richard L. Miller

(57) **CLAIM**

The ornamental design for a drill caddy, as shown and described.

**DESCRIPTION**

FIG. 1 is a front perspective view of a drill caddy showing my new design;

FIG. 2 is a top plan view thereof;

FIG. 3 is a front elevational view thereof;

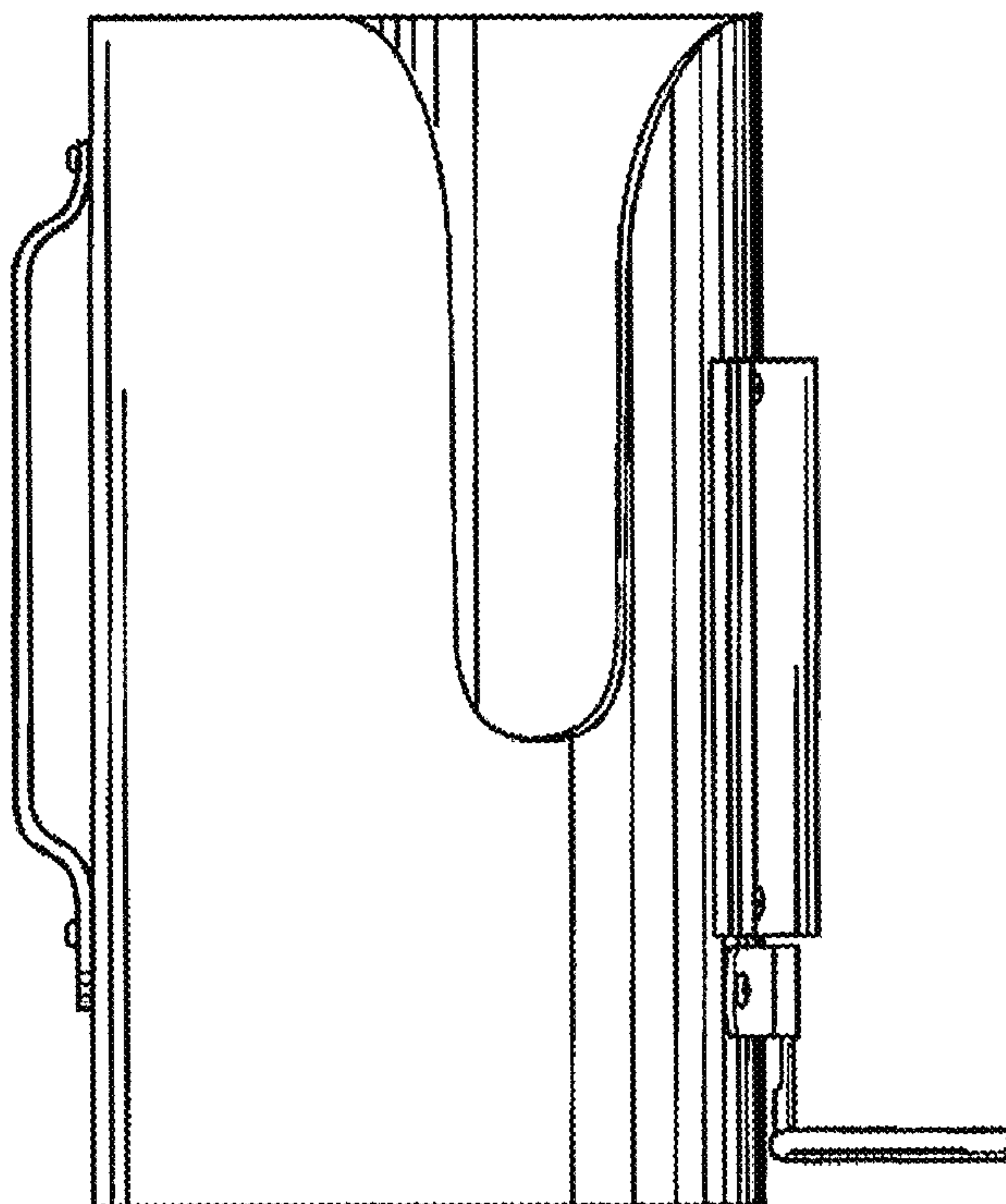
FIG. 4 is a left side elevational view thereof;

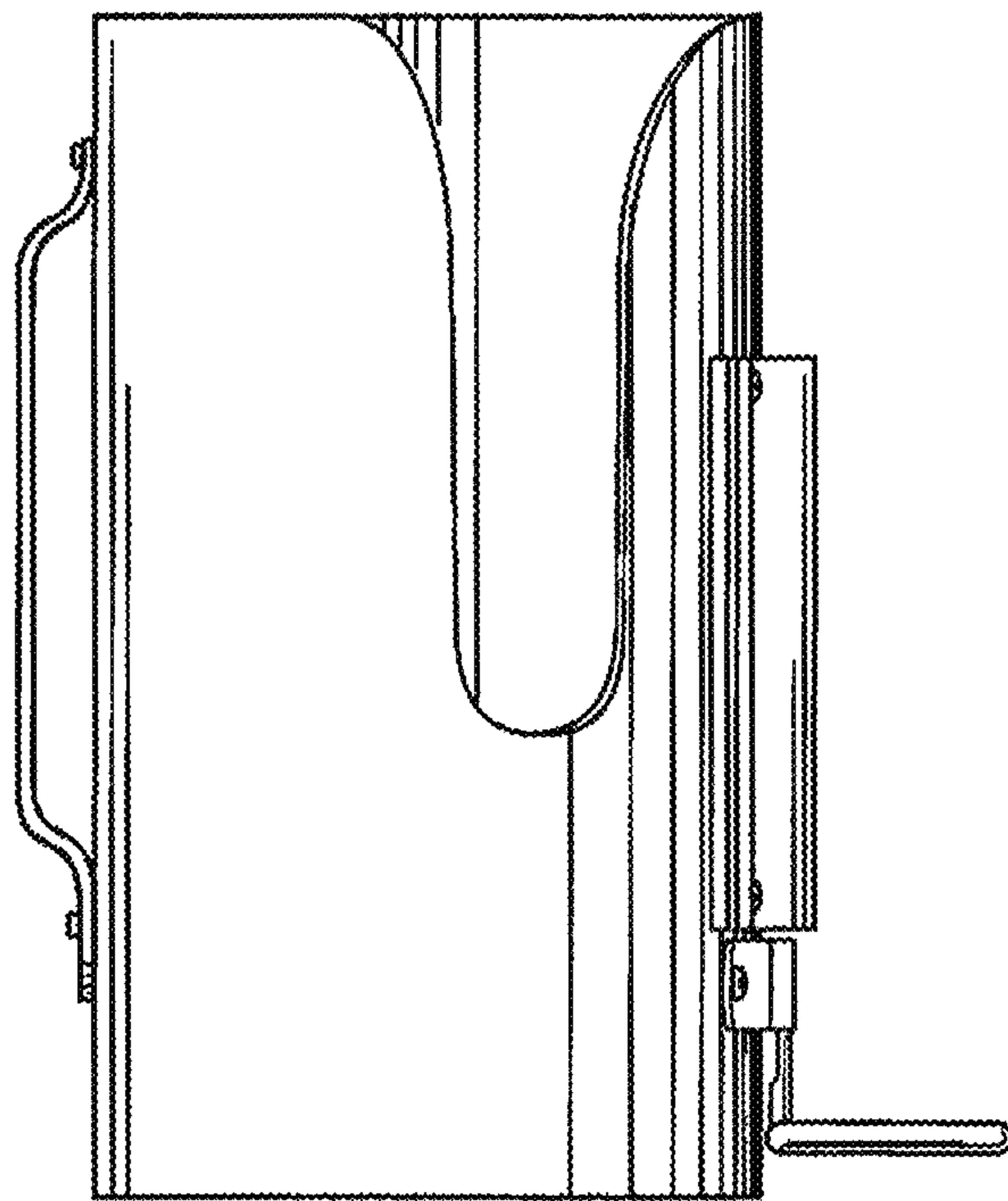
FIG. 5 is a bottom plan view thereof;

FIG. 6 is a right side elevation view thereof; and,

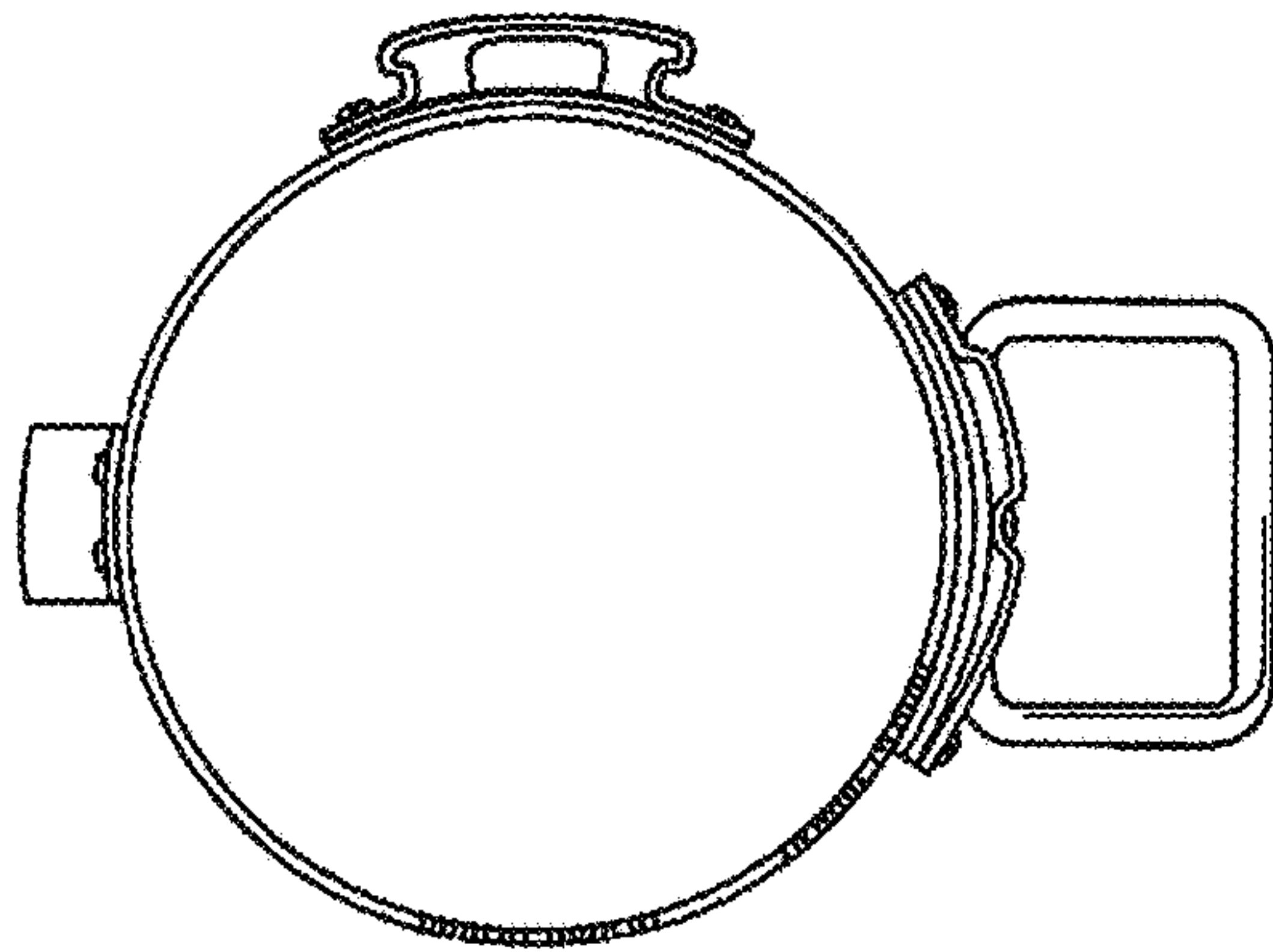
FIG. 7 is a rear elevational view thereof.

**1 Claim, 3 Drawing Sheets**

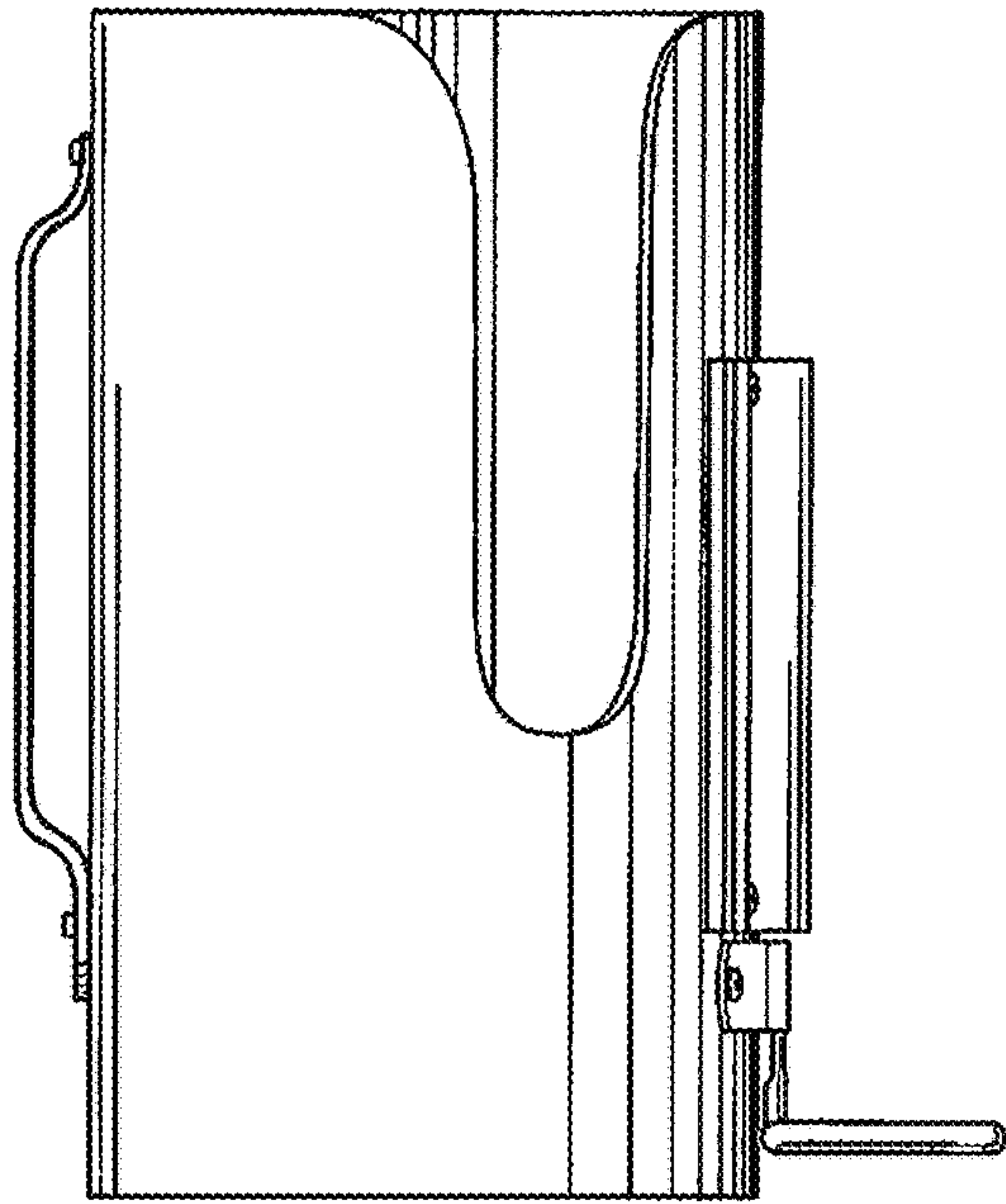




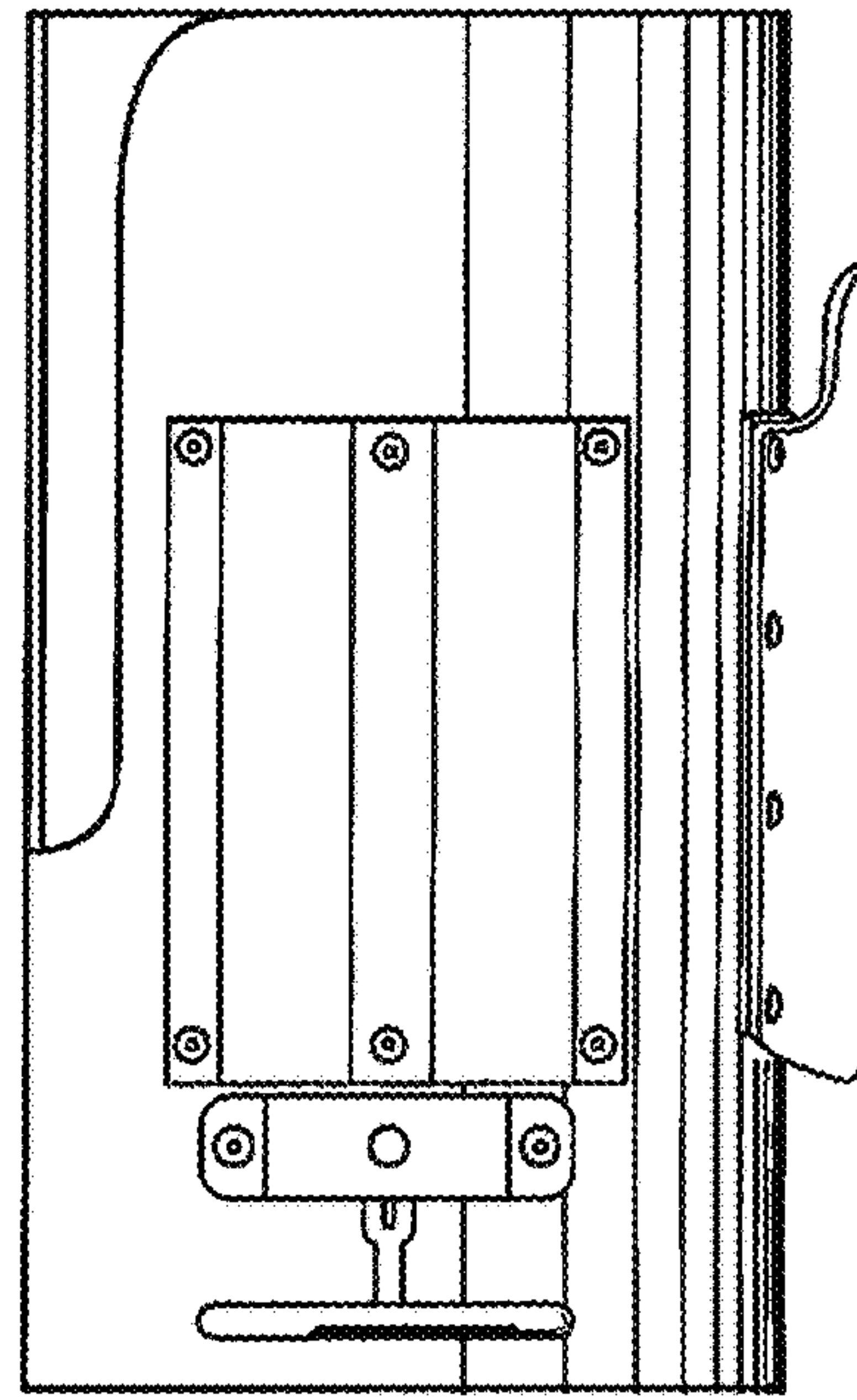
***Fig. 1***



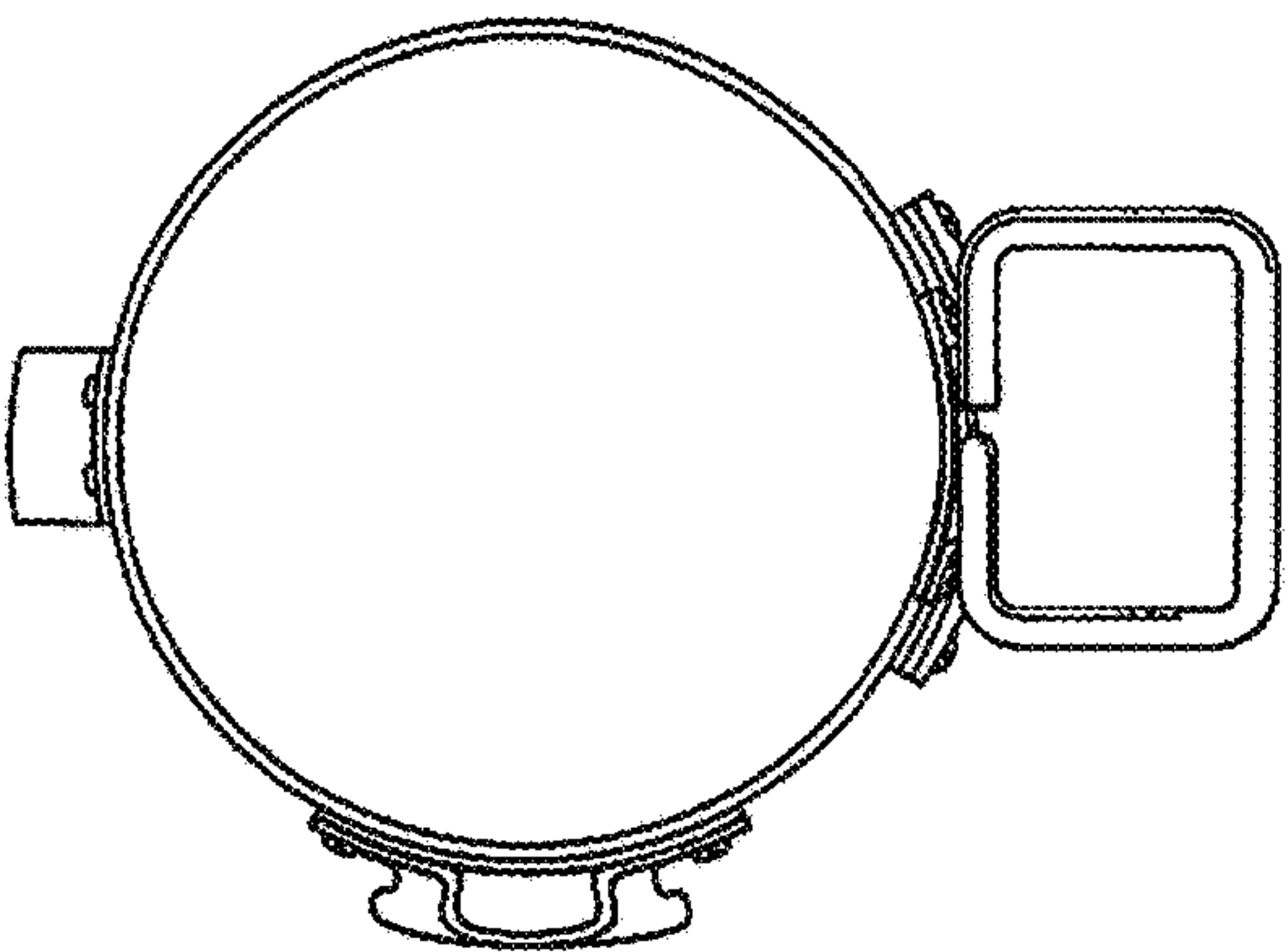
**Fig. 2**



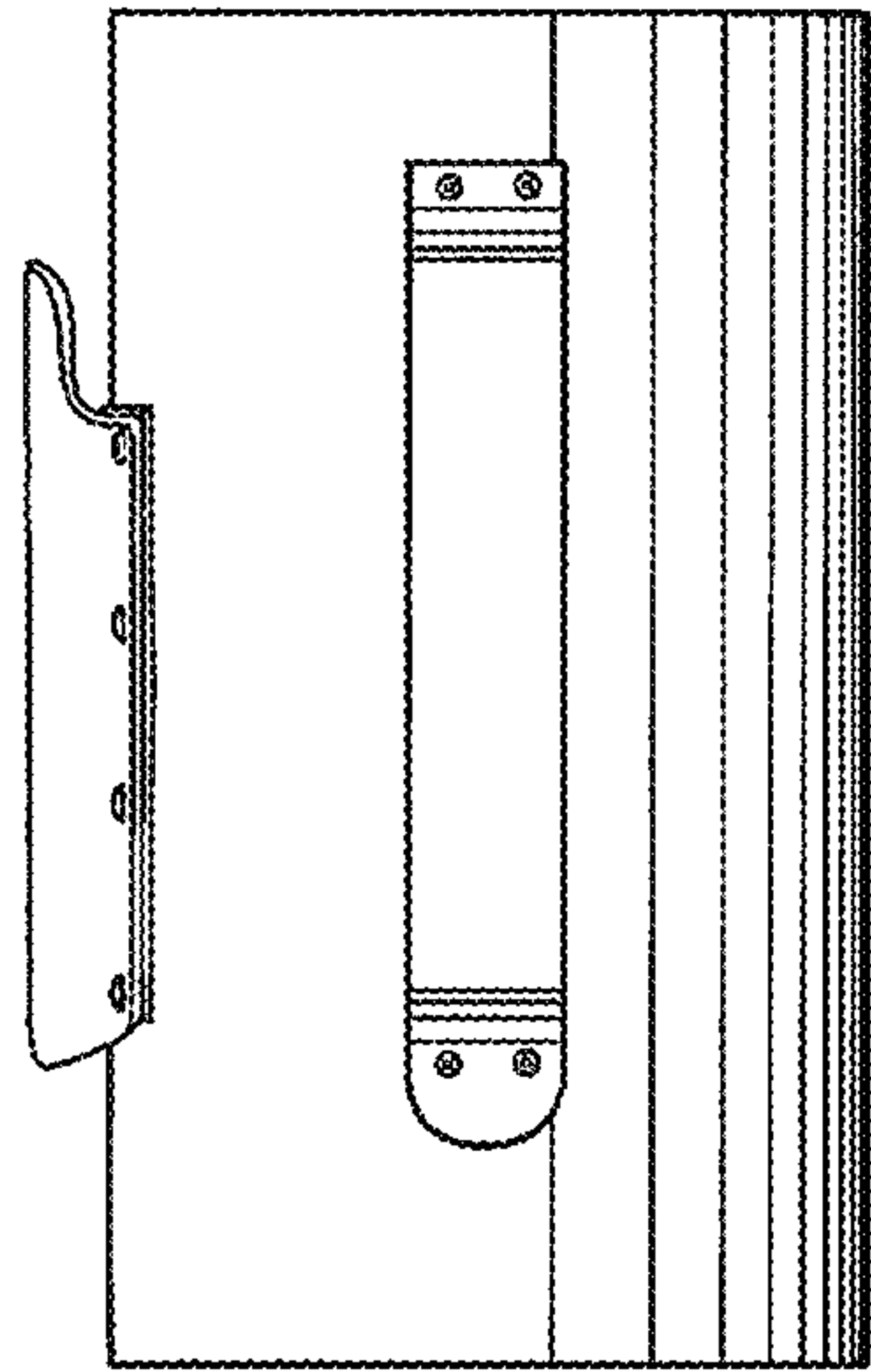
**Fig. 3**



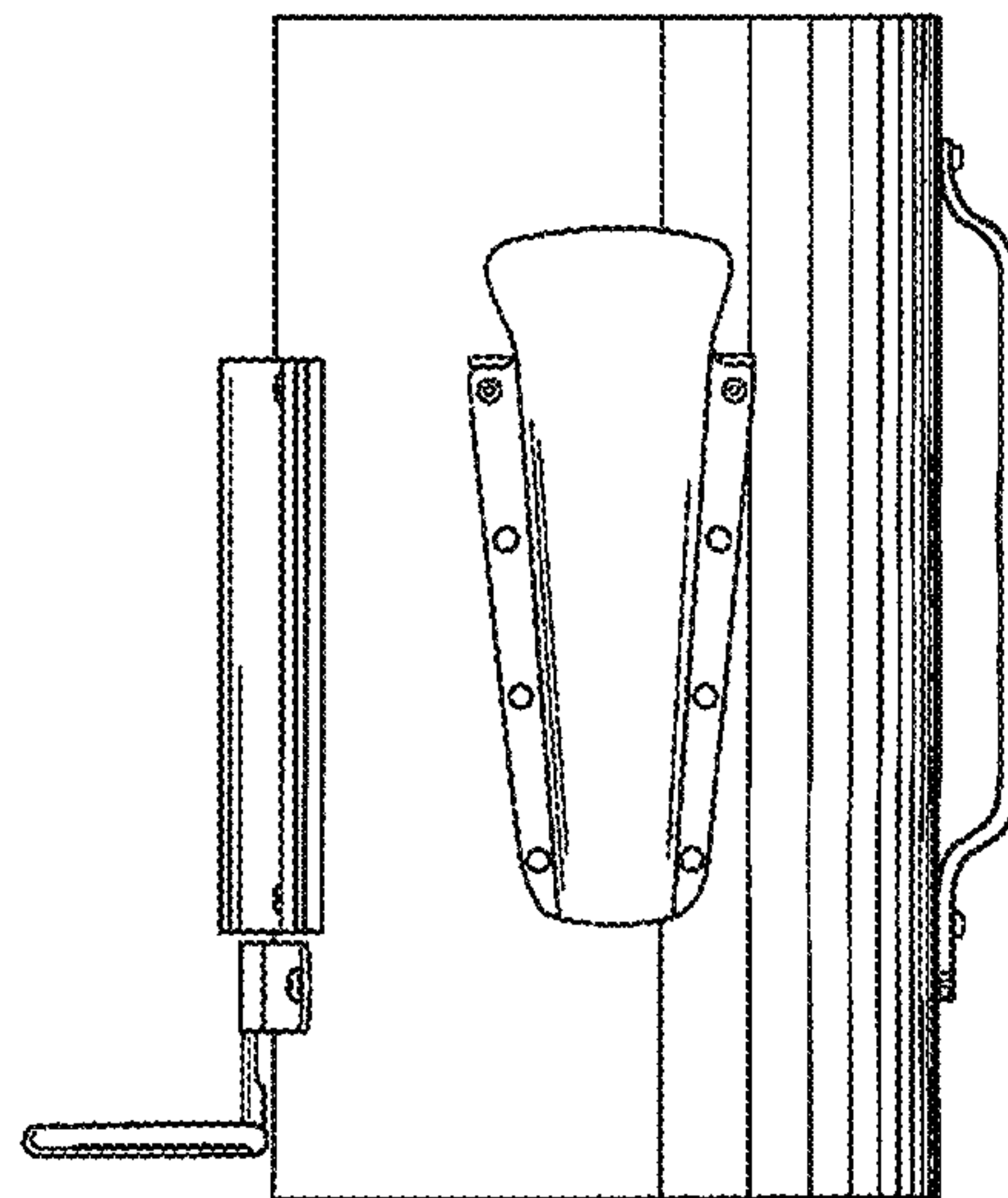
**Fig. 4**



**Fig. 5**



**Fig. 6**



**Fig. 7**