



US00D795550S

(12) **United States Design Patent** (10) **Patent No.:** **US D795,550 S**  
**Weiss** (45) **Date of Patent:** **\*\* Aug. 29, 2017**

(54) **SHOE INSERT**  
(71) Applicant: **WASHINGTON UNIVERSITY**, St. Louis, MO (US)  
(72) Inventor: **Michael D. Weiss**, University City, MO (US)  
(73) Assignee: **WASHINGTON UNIVERSITY**, St. Louis, MO (US)

(\*\*) Term: **15 Years**  
(21) Appl. No.: **29/552,470**

(22) Filed: **Jan. 22, 2016**  
(51) **LOC (10) Cl.** ..... **02-04**  
(52) **U.S. Cl.**  
USPC ..... **D2/961**  
(58) **Field of Classification Search**  
USPC ..... D2/896, 946, 947, 961, 968, 976  
CPC .... A43B 1/00; A43B 1/10; A43B 1/12; A43B 1/14; A43B 3/00; A43B 3/0036; A43B 7/14; A43B 7/1405; A43B 7/141; A43B 7/1415; A43B 7/142; A43B 7/1425; A43B 7/143; A43B 7/1435; A43B 7/144; A43B 7/1445; A43B 7/145; A43B 7/1465; A43B 7/1475; A43B 7/32; A43B 13/00; A43B 13/02; A43B 13/04; A43B 13/14; A43B 17/00; A43B 17/003; A43B 17/02; A43B 17/023; A43B 17/14; A43B 19/00; A43B 23/28  
See application file for complete search history.

(56) **References Cited**  
U.S. PATENT DOCUMENTS  
2,255,100 A \* 9/1941 Brady ..... A43B 21/32 36/173  
D383,894 S \* 9/1997 Snyder ..... D2/961  
6,070,342 A \* 6/2000 Brown ..... A43B 7/142 36/174

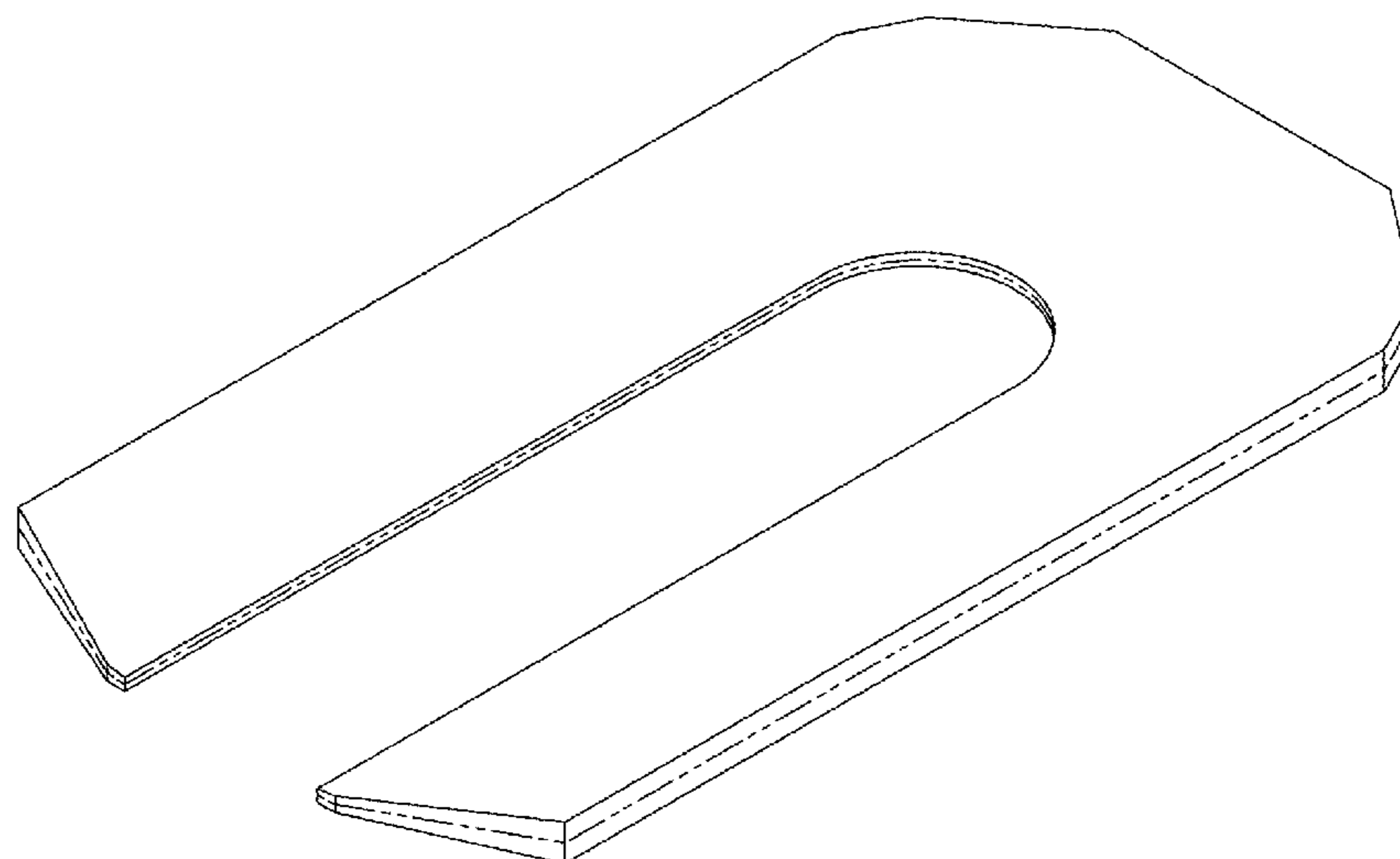
D446,917 S \* 8/2001 Brown ..... D2/946  
D485,424 S \* 1/2004 Kiert ..... D2/961  
6,732,456 B2 \* 5/2004 Hussain ..... A43B 7/1455 36/140  
D497,472 S \* 10/2004 Vasyli ..... D2/961  
D599,994 S \* 9/2009 Elliott ..... D2/961  
D707,936 S \* 7/2014 Nash ..... D2/961  
D718,519 S \* 12/2014 Glazer ..... D2/961

\* cited by examiner  
*Primary Examiner* — Elizabeth J Oswecki  
(74) *Attorney, Agent, or Firm* — Armstrong Teasdale LLP

(57) **CLAIM**  
The ornamental design for a shoe insert, as shown and described.

**DESCRIPTION**  
FIG. 1 is a perspective view of a shoe insert showing my new design;  
FIG. 2 is a front elevation view thereof;  
FIG. 3 is a back elevation view thereof;  
FIG. 4 is a right side elevation view thereof;  
FIG. 5 is a top plan view thereof; and,  
FIG. 6 is a bottom plan view thereof.  
The phantom lines in the drawings indicate environmental structure which forms no part of the claimed design.  
All surfaces not shown form no part of the claimed design.

**1 Claim, 5 Drawing Sheets**



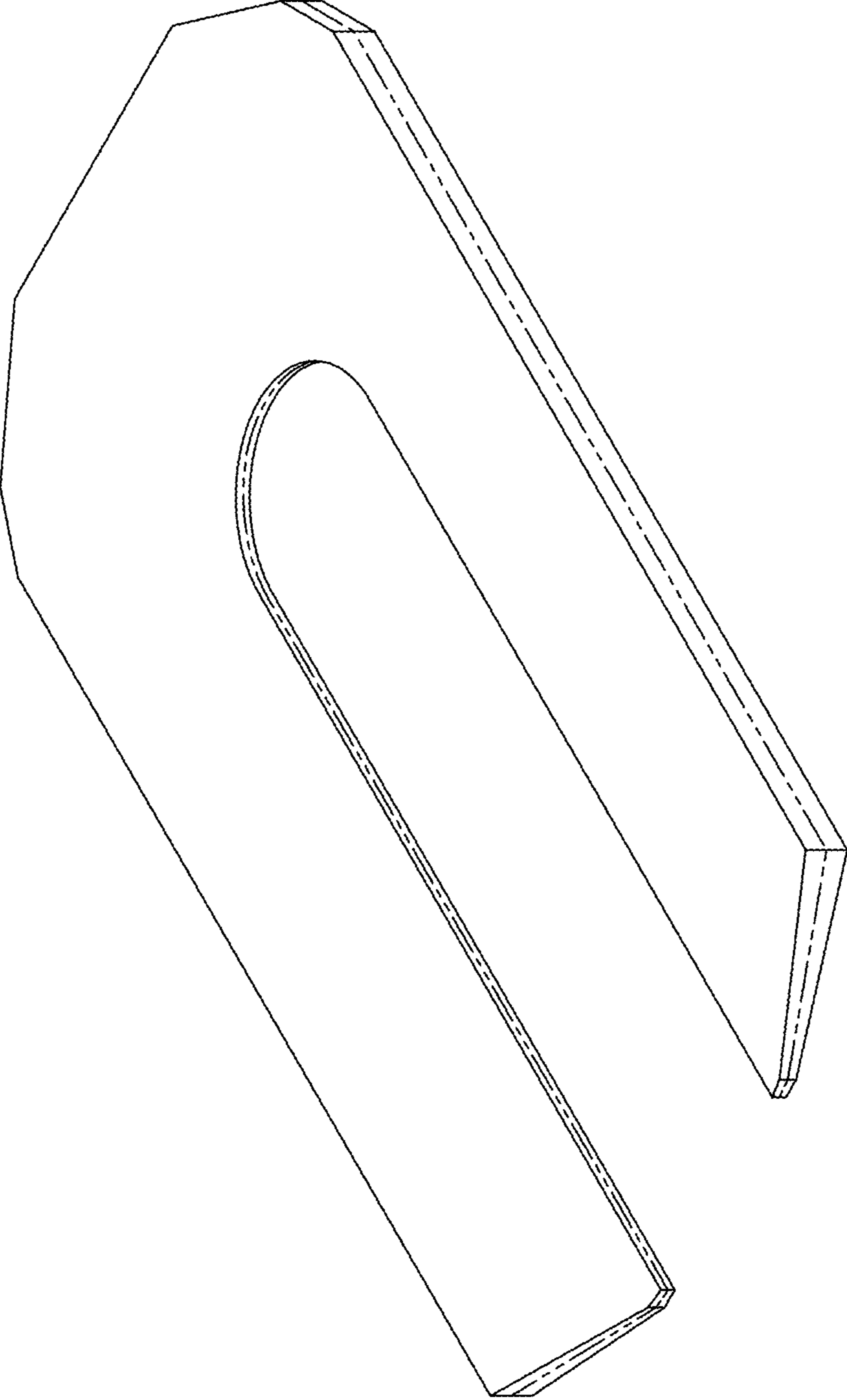


FIG. 1

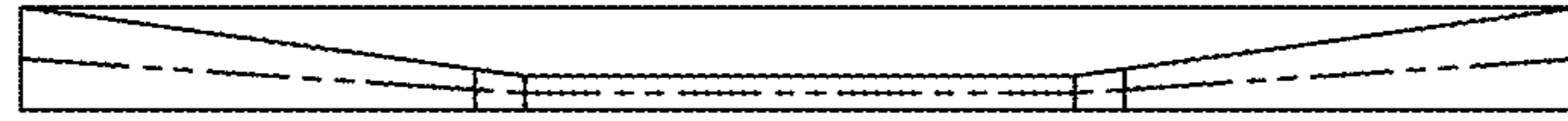


FIG. 2



FIG. 3

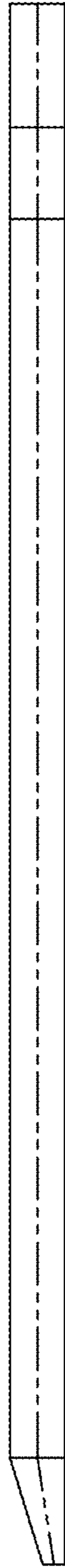


FIG. 4

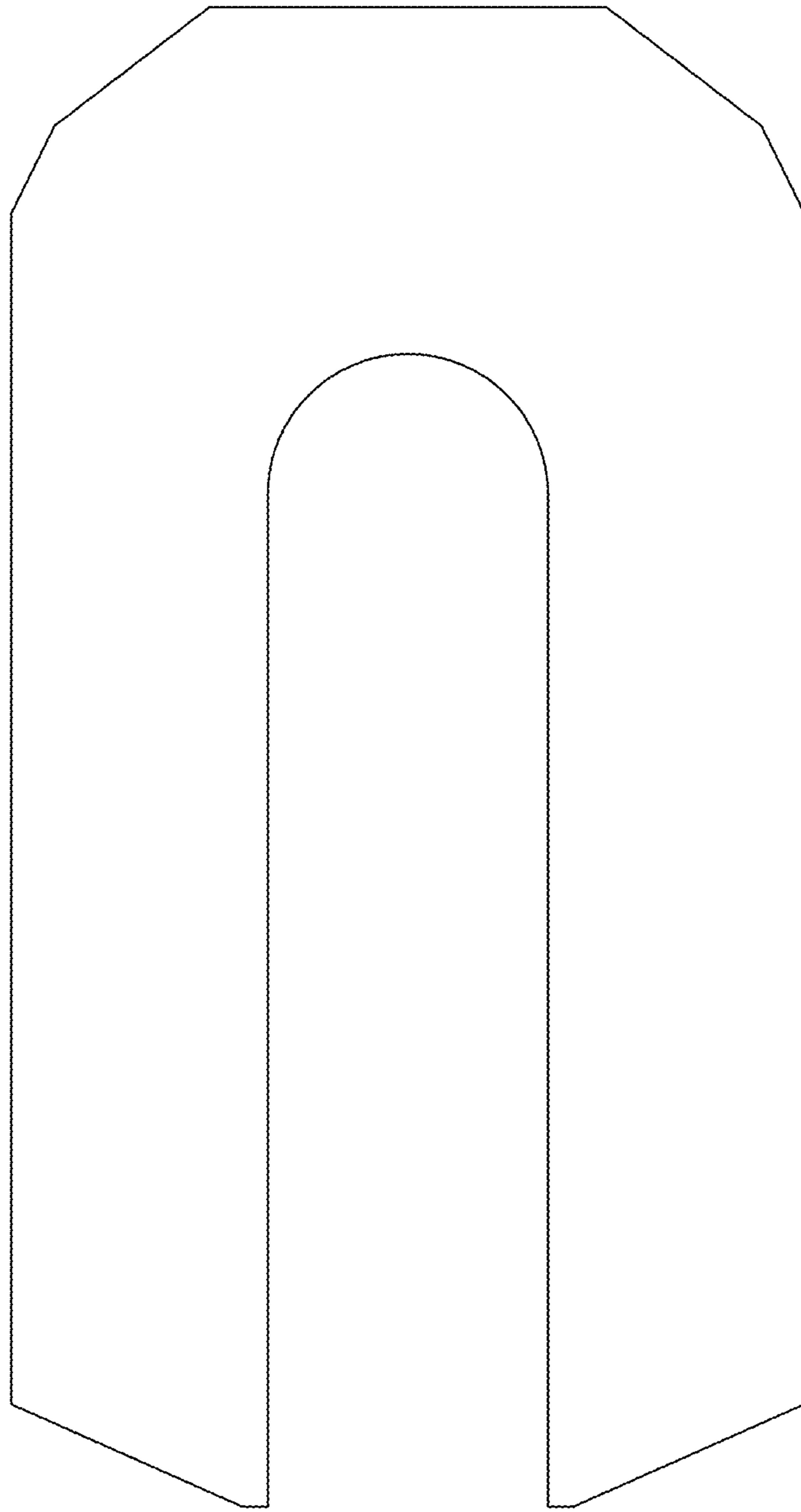


FIG. 5

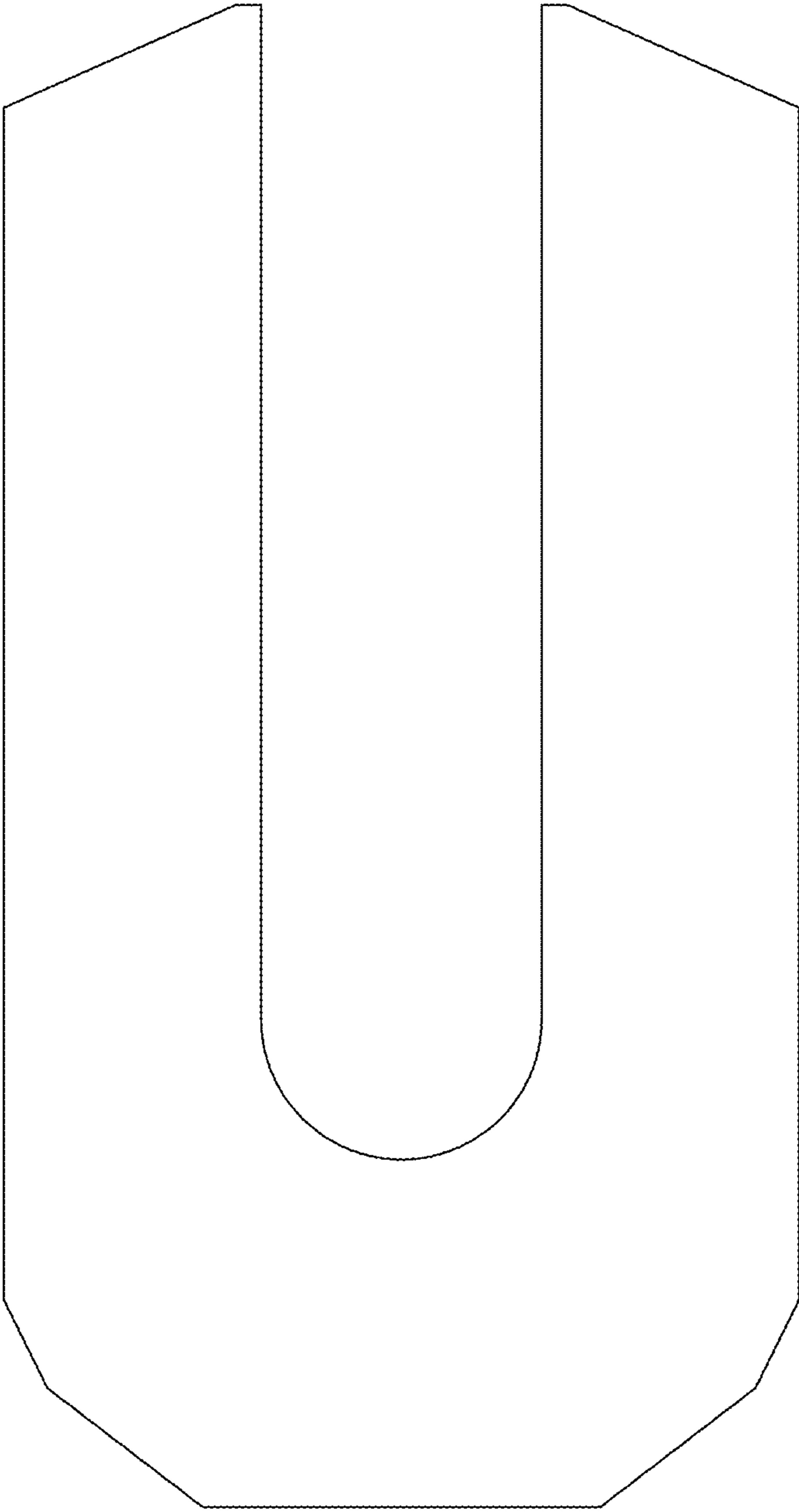


FIG. 6