



US00D795536S

(12) **United States Design Patent**
Lavin, Jr.

(10) **Patent No.:** **US D795,536 S**

(45) **Date of Patent:** **** *Aug. 29, 2017**

- (54) **BUTTON FOR HEATING KIT**
- (71) Applicant: **My Core Control Development, LLC**,
Houston, TX (US)
- (72) Inventor: **Edward F. Lavin, Jr.**, Houston, TX
(US)
- (73) Assignee: **My Core Control Development, LLC**,
Houston, TX (US)
- (*) Notice: This patent is subject to a terminal disclaimer.
- (**) Term: **14 Years**
- (21) Appl. No.: **29/515,137**
- (22) Filed: **Jan. 20, 2015**
- (51) **LOC (10) Cl.** **02-01**
- (52) **U.S. Cl.**
USPC **D2/853**
- (58) **Field of Classification Search**
USPC D2/614, 623, 823, 824, 828, 840, 853,
D2/866, 891, 999; D11/184, 228;
D13/103, 106, 118, 119, 121, 171, 199;
D24/167, 168, 187; 2/94, 97, 162, 272,
2/458, 910; 136/225; 219/211
CPC A41D 13/00; A41D 13/005; A41D 13/08;
A41D 13/12; A41D 19/00; A41D 19/015;
A41D 27/02; A41D 27/20; A62B 17/00
See application file for complete search history.

- (56) **References Cited**
U.S. PATENT DOCUMENTS
1,416,653 A * 5/1922 Lenneberg A41D 19/0027
2/160
3,316,732 A * 5/1967 Burton A41D 13/005
165/64
3,425,487 A * 2/1969 Tucker A41D 13/005
126/204
3,632,966 A * 1/1972 Arron H05B 3/342
2/158

- 4,515,872 A * 5/1985 Okano H01M 2/1055
429/123
 - 4,793,005 A * 12/1988 Hetzel, Jr. A41D 19/01547
2/161.1
 - D302,711 S * 8/1989 Burlison D16/309
 - D307,579 S * 5/1990 Layne D13/137.3
 - D340,027 S * 10/1993 Tortola D13/103
 - D411,165 S * 6/1999 Deslyper D13/103
 - D457,132 S * 5/2002 Petherbridge D13/103
 - D457,634 S * 5/2002 Rouns D24/168
 - D490,370 S * 5/2004 Picardo D13/103
 - D556,679 S * 12/2007 Weinstein D13/103
- (Continued)

OTHER PUBLICATIONS

Martin, Joe. "Hot Houston startup lands former Barclay's head"
Posted: Feb. 6, 2015. Houston business journal. <http://www.bizjournals.com/houston/blog/2015/02/hot-houston-startup-lands-former-barclays-head.html>.*

(Continued)

Primary Examiner — Susan Bennett Hattan
Assistant Examiner — Suzanne Tisdell
(74) *Attorney, Agent, or Firm* — Winstead PC

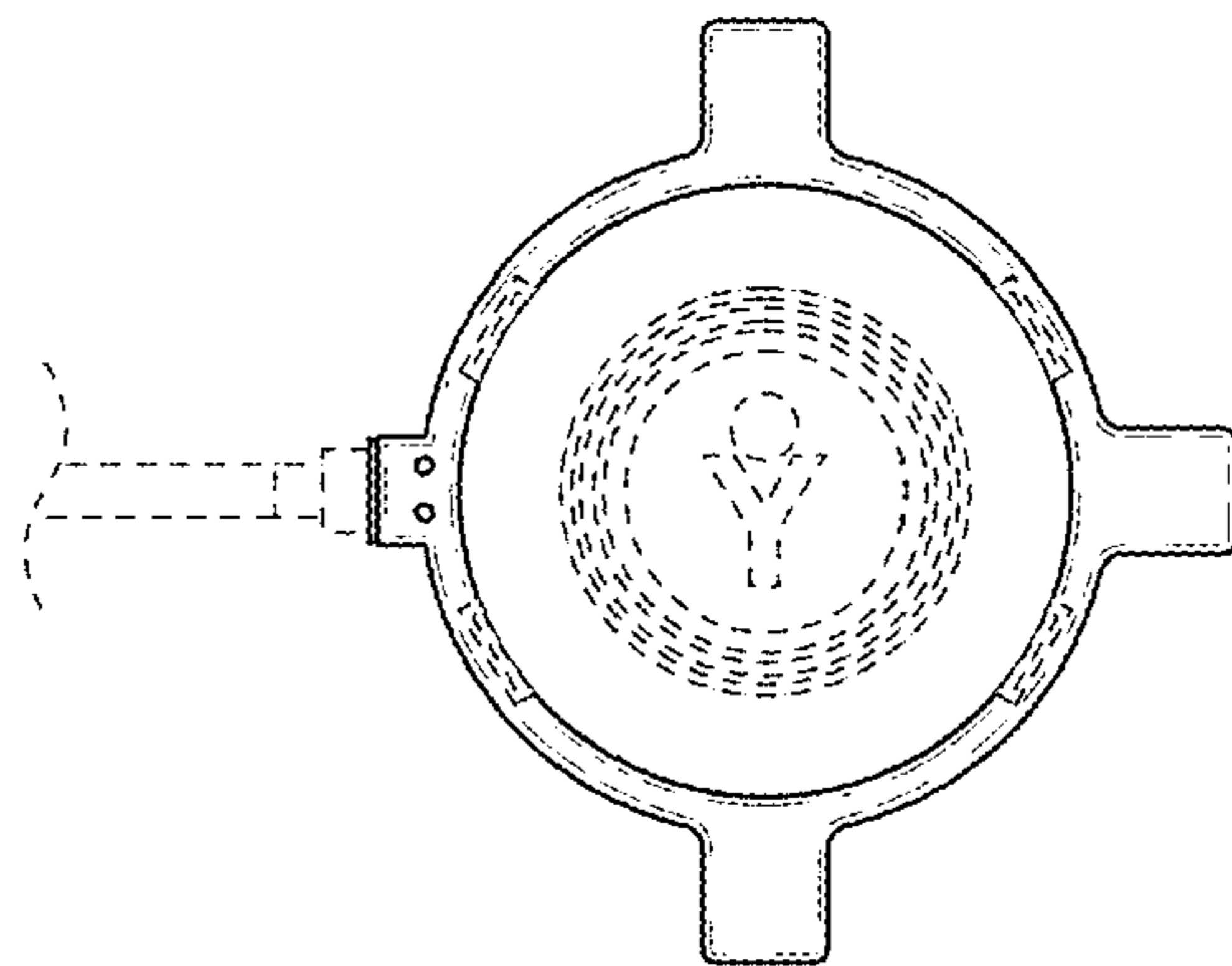
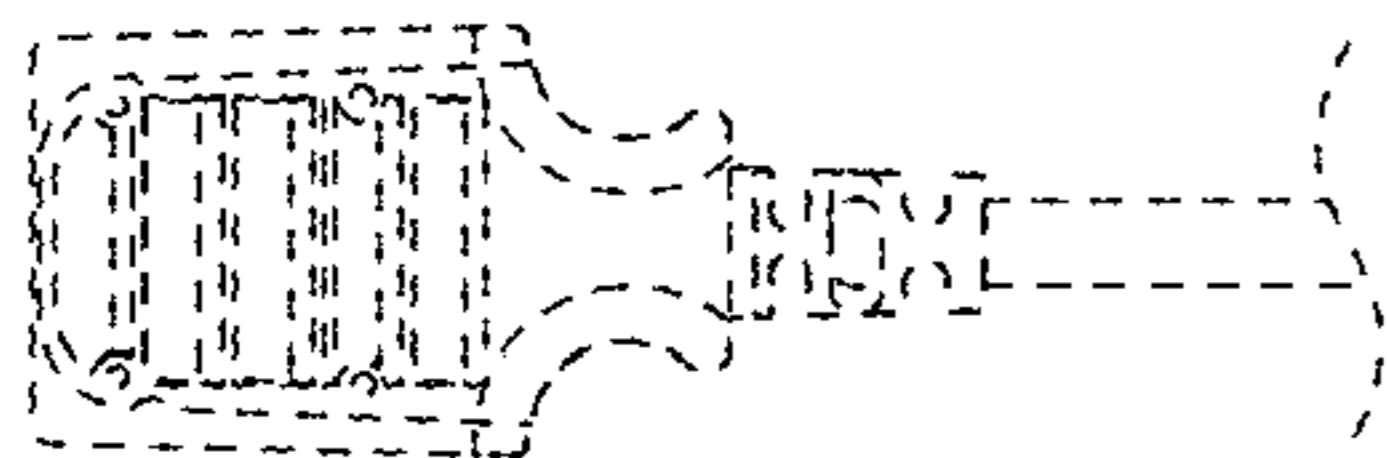
(57) **CLAIM**

I claim the ornamental design for a button for heating kit, as shown and described.

DESCRIPTION

FIG. 1 shows a top view of a button for heating kit;
FIG. 2 shows a bottom view of the button for heating kit;
FIG. 3 shows a left side view the button for heating kit;
FIG. 4 shows a right side view the button for heating kit;
FIG. 5 shows a front view the button for heating kit; and,
FIG. 6 shows a rear view the button for heating kit.
The dashed lines are for the purpose of illustrating portions of the button for heating kit and form no part of the claimed design. The dotted lines on the surface portions indicate contour and not surface decoration.

1 Claim, 2 Drawing Sheets



(56)

References Cited

U.S. PATENT DOCUMENTS

7,347,578 B1 * 3/2008 Nourse A41D 19/0157
 2/159
 D581,371 S * 11/2008 Richmond D13/168
 D597,211 S * 7/2009 Ewing D24/187
 D629,524 S * 12/2010 Zeller D24/158
 D639,437 S * 6/2011 Bishay D24/167
 D675,738 S * 2/2013 Baumer D24/168
 D682,197 S * 5/2013 Leung D13/103
 D686,150 S * 7/2013 Lee D13/103
 D697,865 S * 1/2014 Saito D13/103
 D718,867 S * 12/2014 Schroderus D24/167
 D733,078 S * 6/2015 Wu D13/171
 D737,979 S * 9/2015 Selvitelli D24/167
 D742,823 S * 11/2015 Nitz D13/103
 D745,167 S * 12/2015 Canas D10/78
 D745,455 S * 12/2015 Nook D13/103
 D746,770 S * 1/2016 Nook D13/103
 D746,993 S * 1/2016 Lewis, Jr. D24/187
 2002/0153126 A1 * 10/2002 Clemente A41D 13/005
 165/46
 2007/0085340 A1 * 4/2007 Gammons F16L 37/0841
 285/308

2009/0289046 A1 * 11/2009 Richmond A41D 13/0051
 219/211
 2012/0117997 A1 * 5/2012 Coleman A41D 13/0056
 62/259.3
 2012/0144554 A1 * 6/2012 Thellmann A63B 21/4033
 2/161.1
 2014/0021189 A1 * 1/2014 Yue A41D 13/0051
 219/211
 2014/0263264 A1 * 9/2014 Weir A41D 13/0051
 219/211
 2014/0353300 A1 * 12/2014 Swiatek H05B 1/0272
 219/211
 2015/0122791 A1 * 5/2015 Hung H05B 1/0272
 219/211
 2015/0136753 A1 * 5/2015 Cronn H05B 3/00
 219/211

OTHER PUBLICATIONS

“My Core Control Men’s Heated Hunting Jacket” First Posted: Jun. 2, 2015. Rural King, <http://www.ruralking.com/my-core-control-heated-hunting-jacket-570-j.html>.
 “My core control heated jackets” Published Dec. 29, 2014. Youtube. <https://www.youtube.com/watch?y=h3q6xaX7jmk>.

* cited by examiner

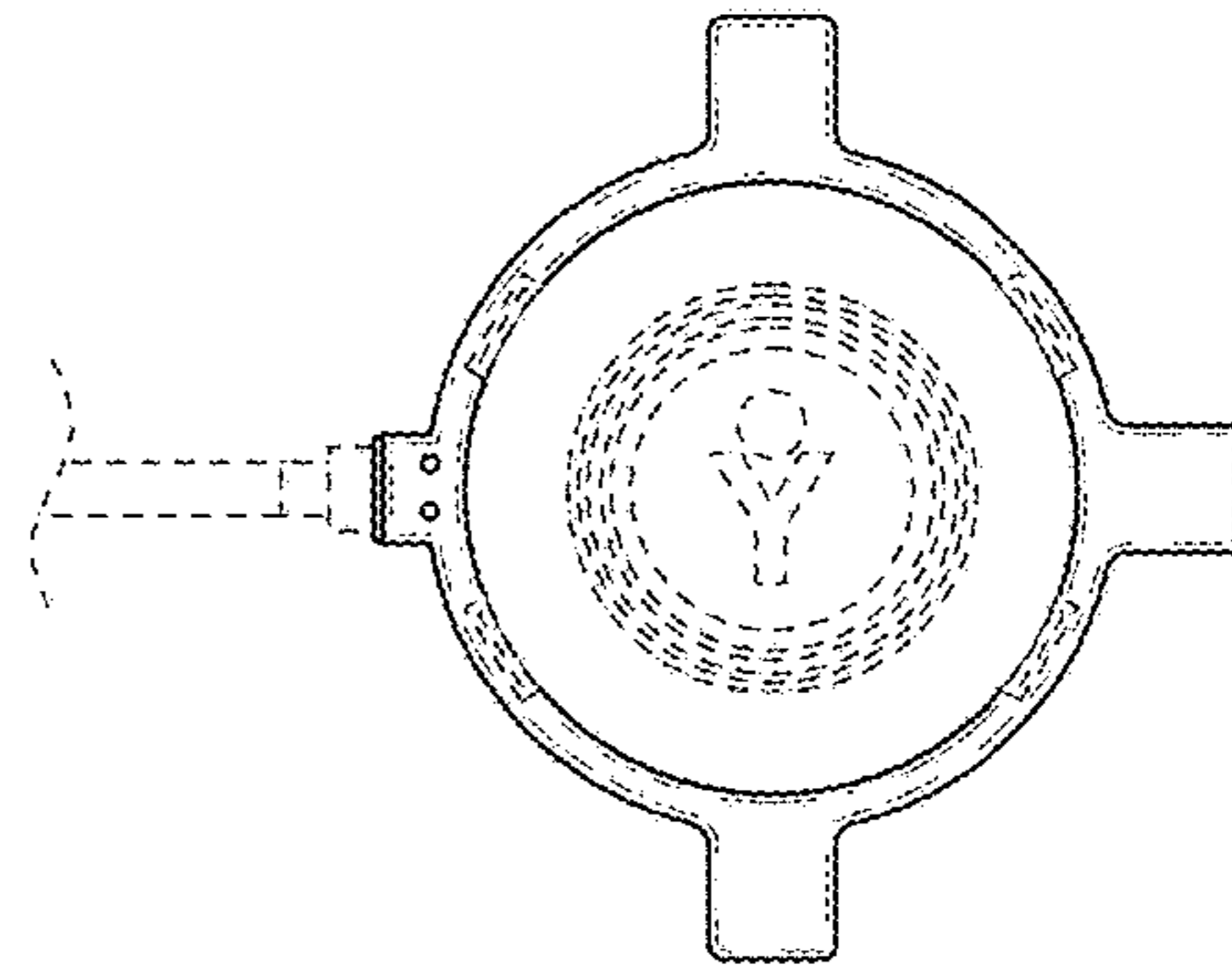
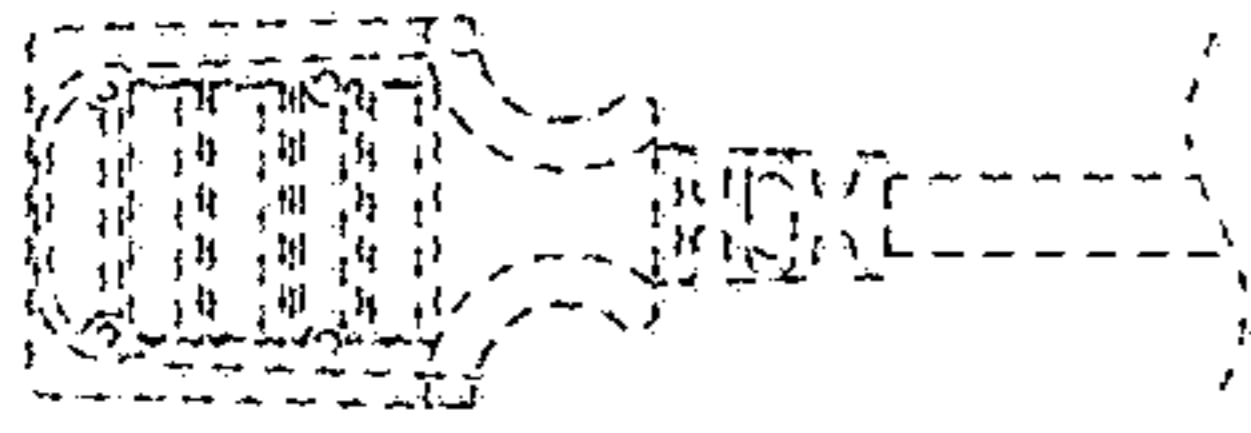


FIG. 1

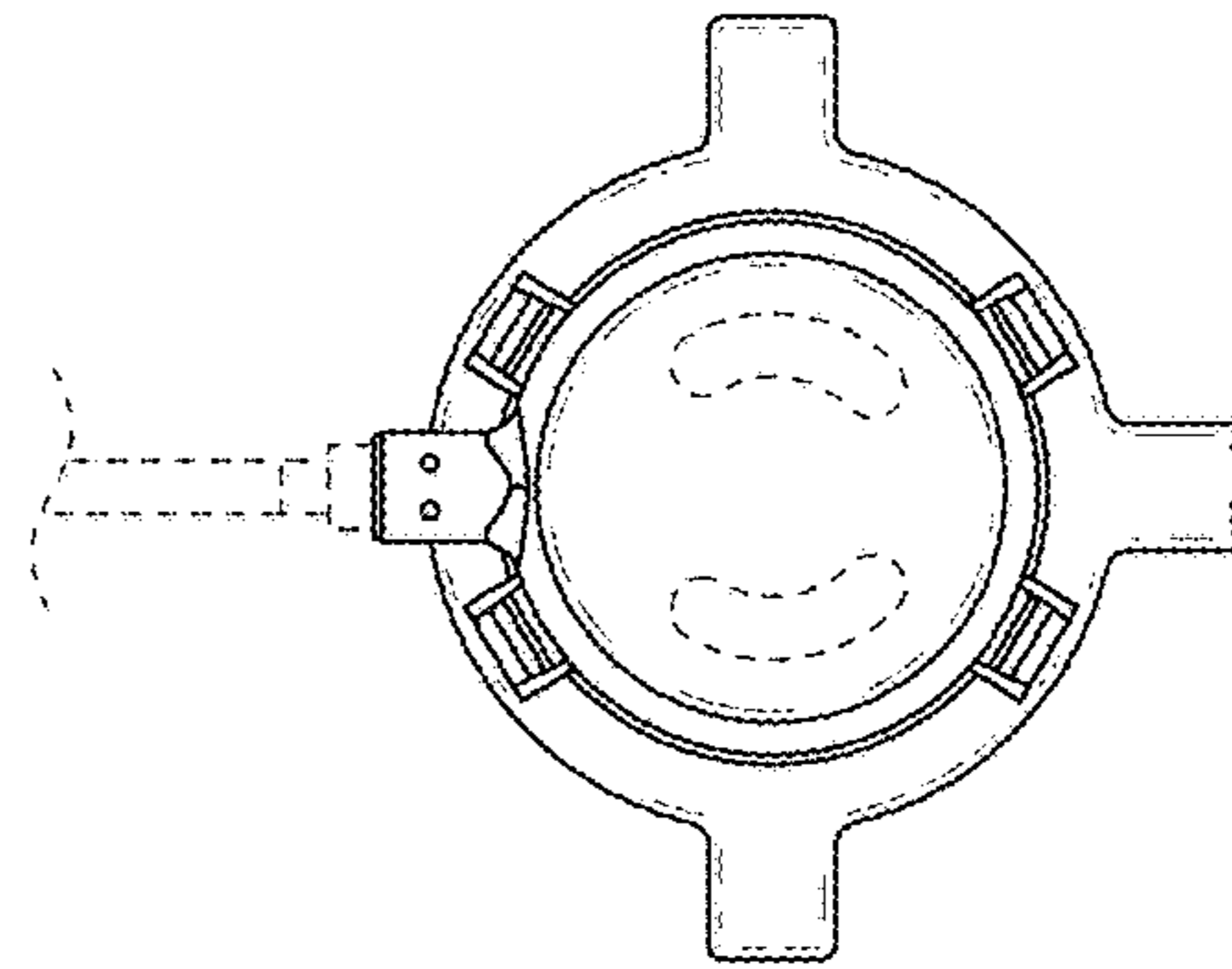
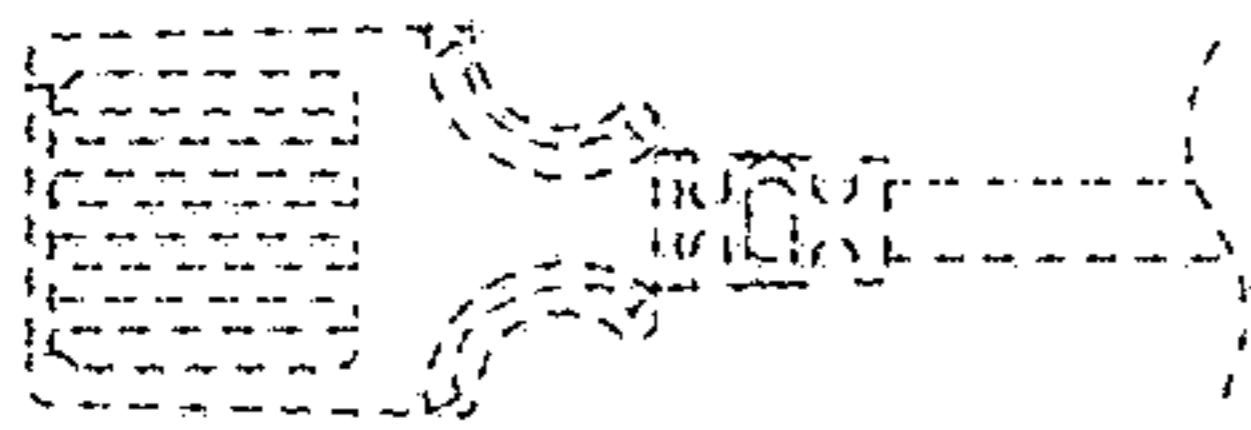


FIG. 2

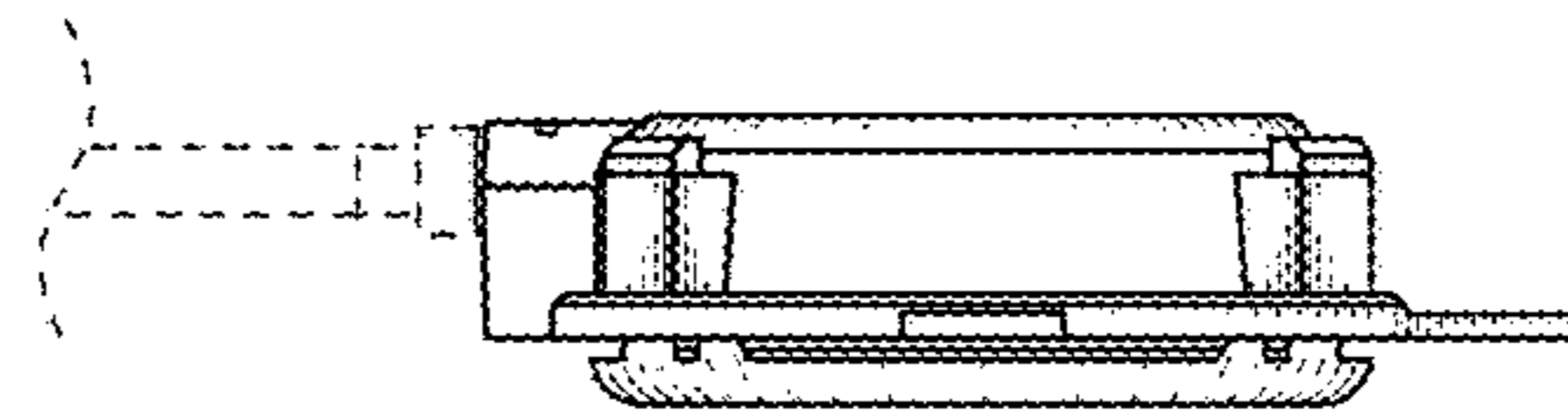
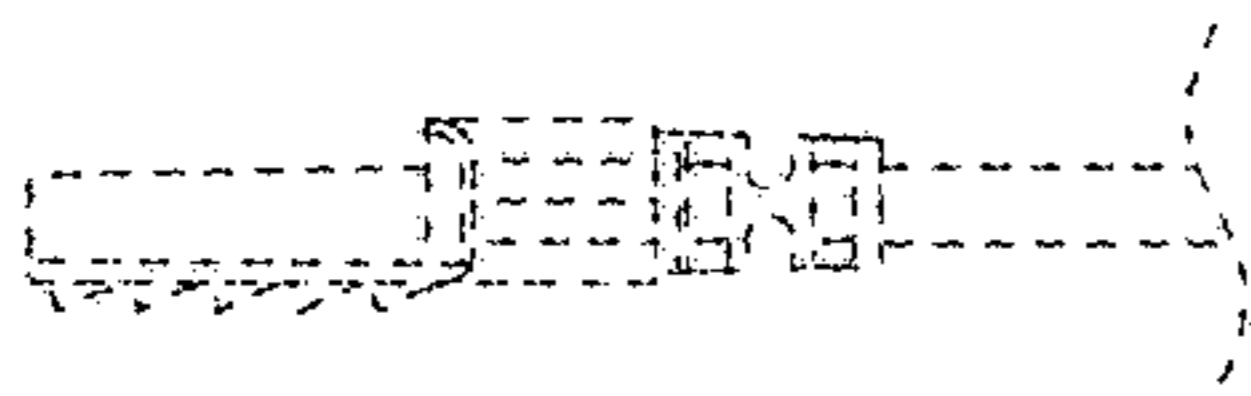


FIG. 3

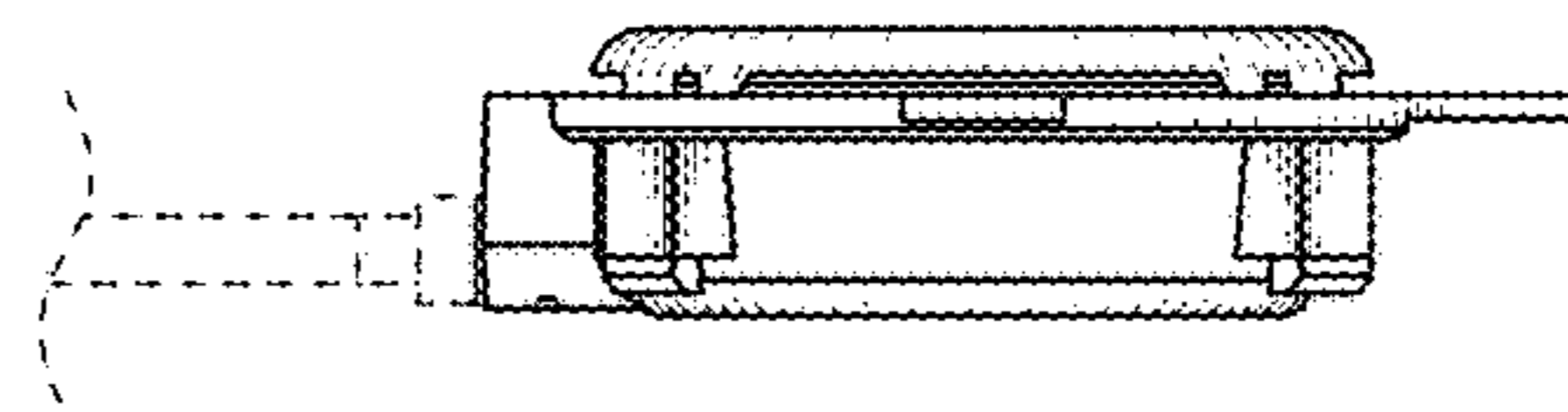
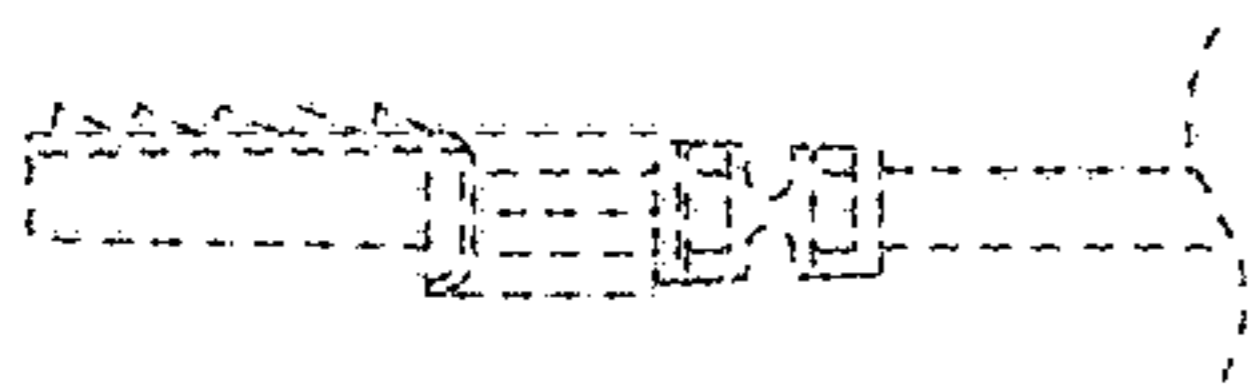


FIG. 4

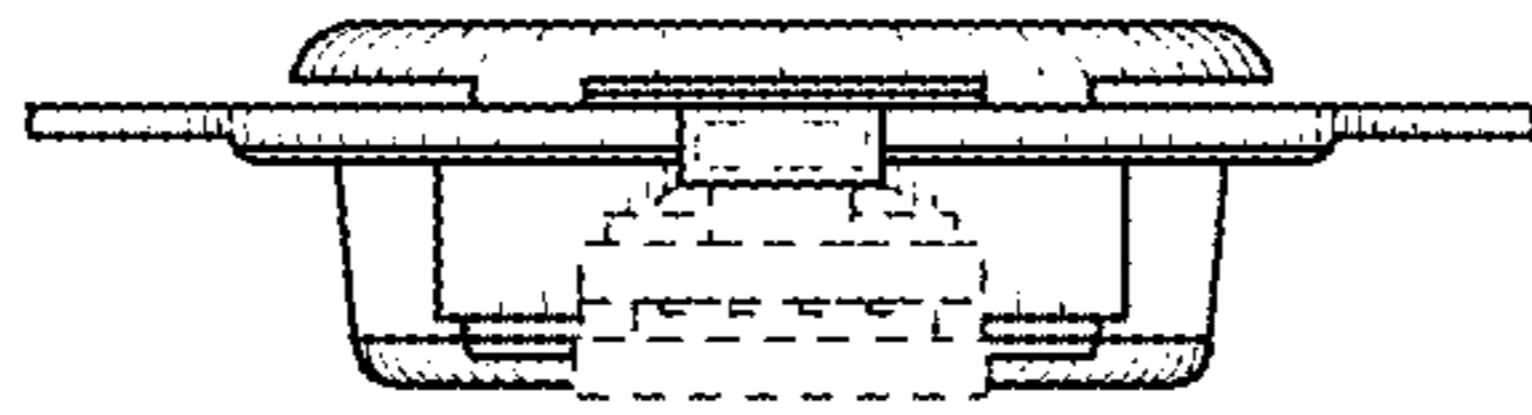


FIG. 5

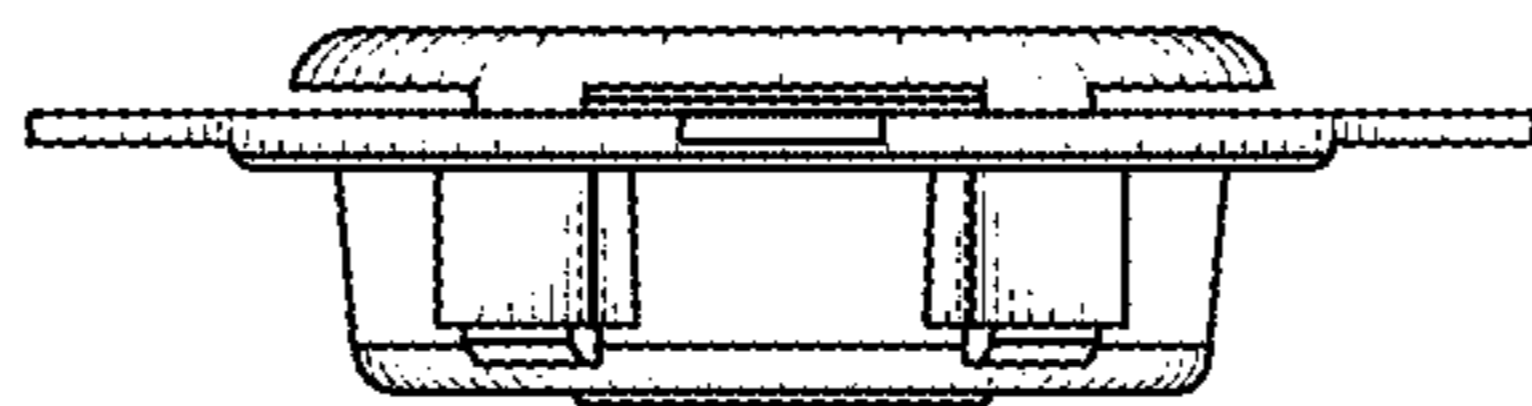


FIG. 6