



US00D795528S

(12) **United States Design Patent**
O'Connor

(10) **Patent No.:** **US D795,528 S**

(45) **Date of Patent:** **** Aug. 29, 2017**

(54) **GARMENT**

(71) Applicant: **Molly T. Sarah O'Connor**, Baldwin,
NY (US)

(72) Inventor: **Molly T. Sarah O'Connor**, Baldwin,
NY (US)

(**) Term: **15 Years**

(21) Appl. No.: **29/553,419**

(22) Filed: **Feb. 1, 2016**

(51) **LOC (10) Cl.** **02-01**

(52) **U.S. Cl.**
USPC **D2/707**

(58) **Field of Classification Search**

USPC D2/703, 706-711, 731, 736, 737, 762,
D2/853, 854; D3/218; D11/200, 218,
D11/220
CPC A41C 3/00; A41C 3/10; A41C 3/02; A41C
3/0057; A41C 3/0028; A41C 3/14; A41C
3/0035; A41C 3/06; A41C 3/04; A41C
3/0085; A41C 3/08; A61M 1/06; A41D
7/00; A41D 5/00

See application file for complete search history.

(56) **References Cited**

U.S. PATENT DOCUMENTS

1,878,755	A *	9/1932	Caldor	A41C 3/00 450/85
2,402,835	A *	6/1946	Nagy	A41C 3/00 2/67
D147,592	S *	9/1947	Laszlo	D2/736
D174,115	S *	3/1955	Dior	D2/703
D630,410	S *	1/2011	Hendrickson	D2/703
2006/0025039	A1 *	2/2006	Barbour	A41C 3/0057 450/1
2008/0064299	A1 *	3/2008	La Fontaine	A41C 3/04 450/36
2014/0087625	A1 *	3/2014	Ironi	A41C 3/04 450/36
2016/0021940	A1 *	1/2016	Carney	A41C 3/0014 450/92

OTHER PUBLICATIONS

Upload!, posted at Luluaddict.com, posted on Jun. 9, 2015 ,
[online], [site visited Feb. 1, 2017]. Available from Internet, <URL:
http://www.luluaddict.com/2015/06/upload_9.html>.*

Lace Not-a-Bomber Bra, posted at Titlenine.com, posted on Mar.
23, 2015 , [online], [site visited Feb. 1, 2017]. Available from
Internet, <URL: http://www.titlenine.com/product/320923.do>.*

Soft French Terry Nursing Sleep Bra, posted at Amazon.com,
posted on Oct. 12, 2015 , [online], [site visited Feb. 1, 2017].
Available from Internet, <URL: https://www.amazon.com/French-
Terry-Nursing-Maternity-Breastfeeding/dp/B01N1RRZLW/>.*

Oops Outlet Women's Plain Sleeveless Wrap, posted at Amazon.
com, posted on Mar. 3, 2015 , [online], [site visited Feb. 1, 2017].
Available from Internet, <URL: https://www.amazon.com/Oops-
Outlet-Womens-Sleeveless-Strappy/dp/B00U7UM7MW/>.*

* cited by examiner

Primary Examiner — Thomas Johannes

Assistant Examiner — Catherine Ho

(74) *Attorney, Agent, or Firm* — Arent Fox LLP

(57) **CLAIM**

The ornamental design for a garment, as shown and
described.

DESCRIPTION

FIG. 1 is a front left perspective view of a garment showing
my new design;

FIG. 2 is a front view of the design shown in FIG. 1;

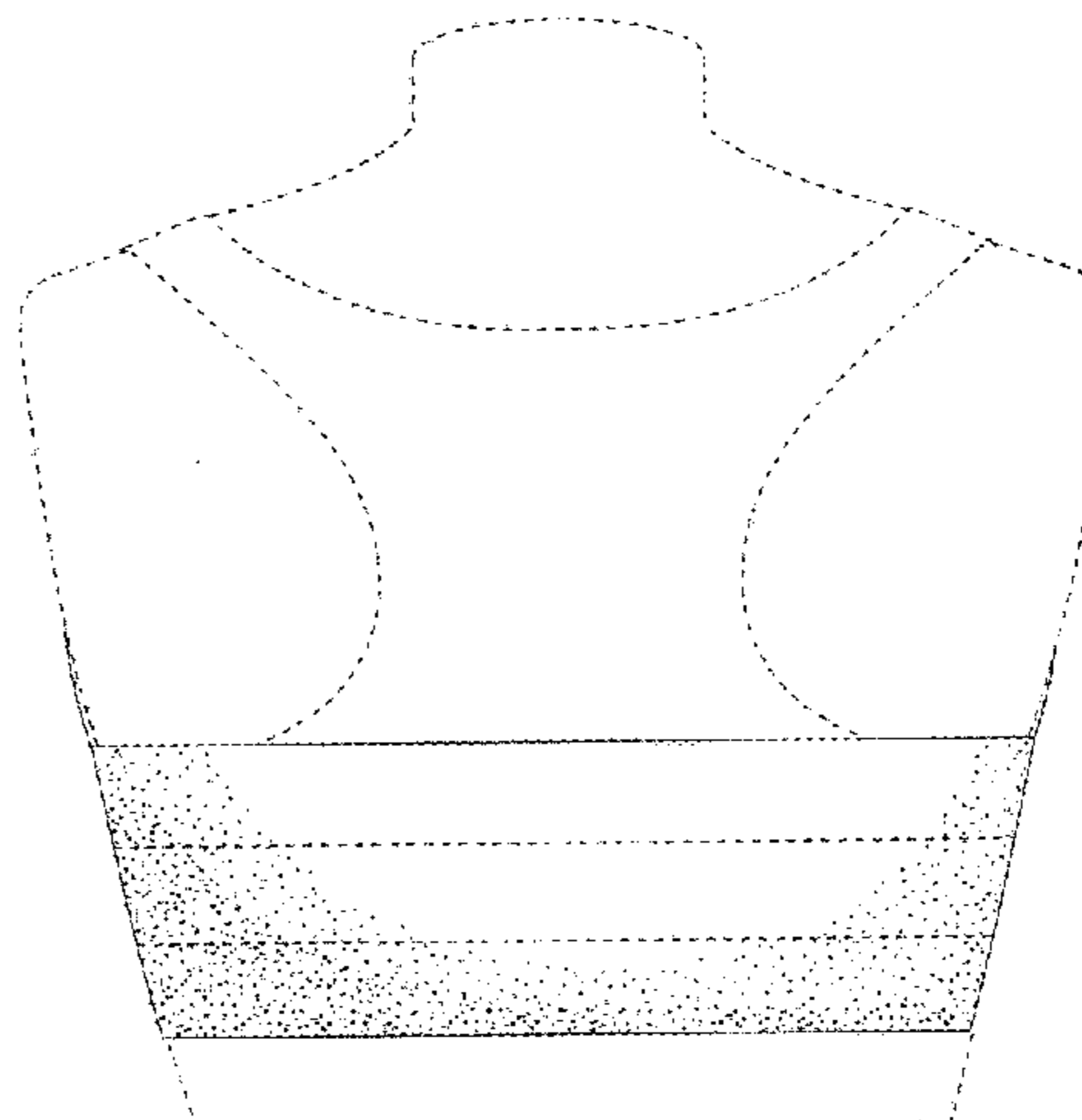
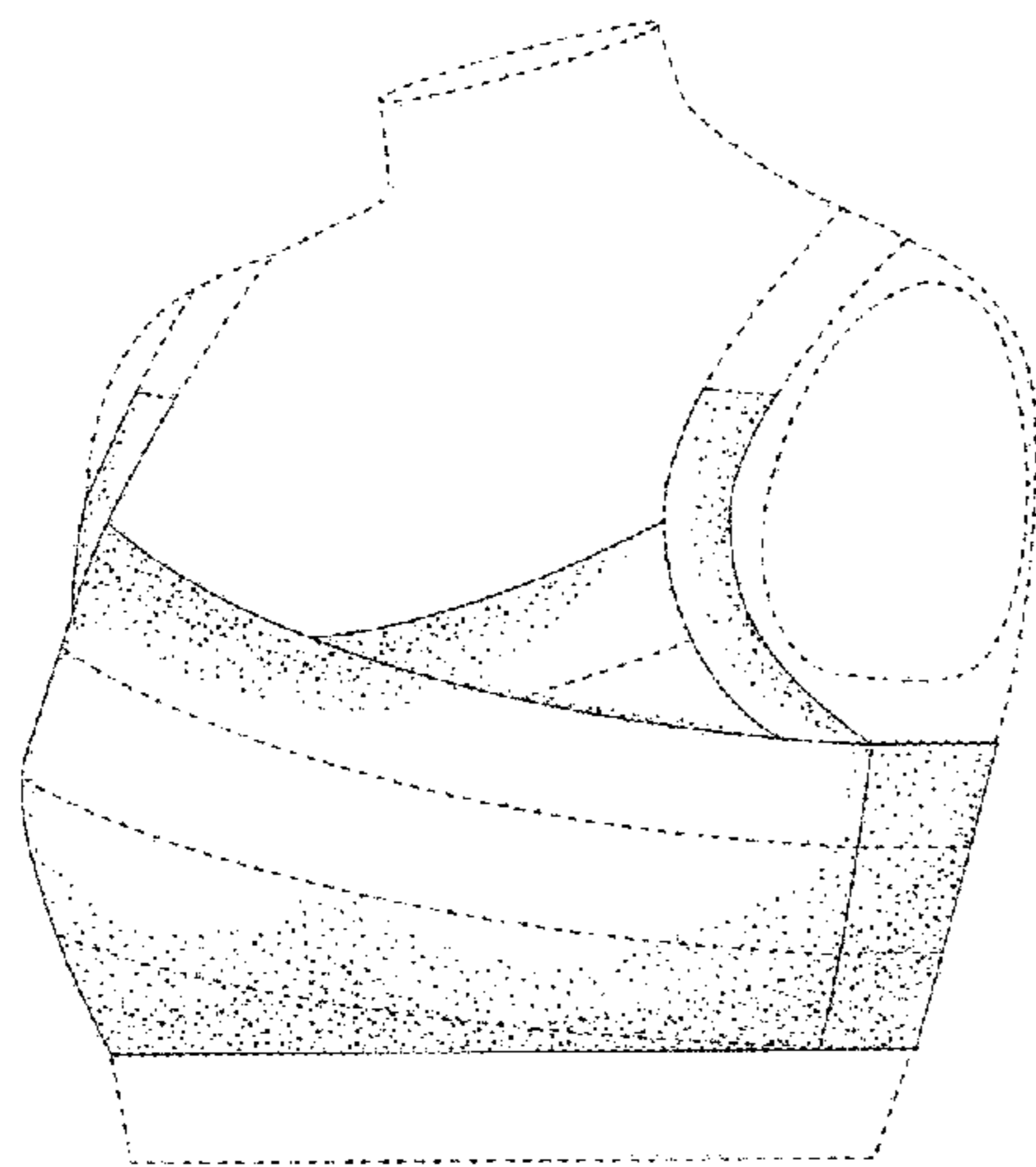
FIG. 3 is a rear view of the design shown in FIG. 1;

FIG. 4 is a right side view of the design shown in FIG. 1;
and,

FIG. 5 is a left side view of the design shown in FIG. 1.

All broken lines shown in the drawings represent unclaimed
environment only and form no part of the claimed design.

1 Claim, 5 Drawing Sheets



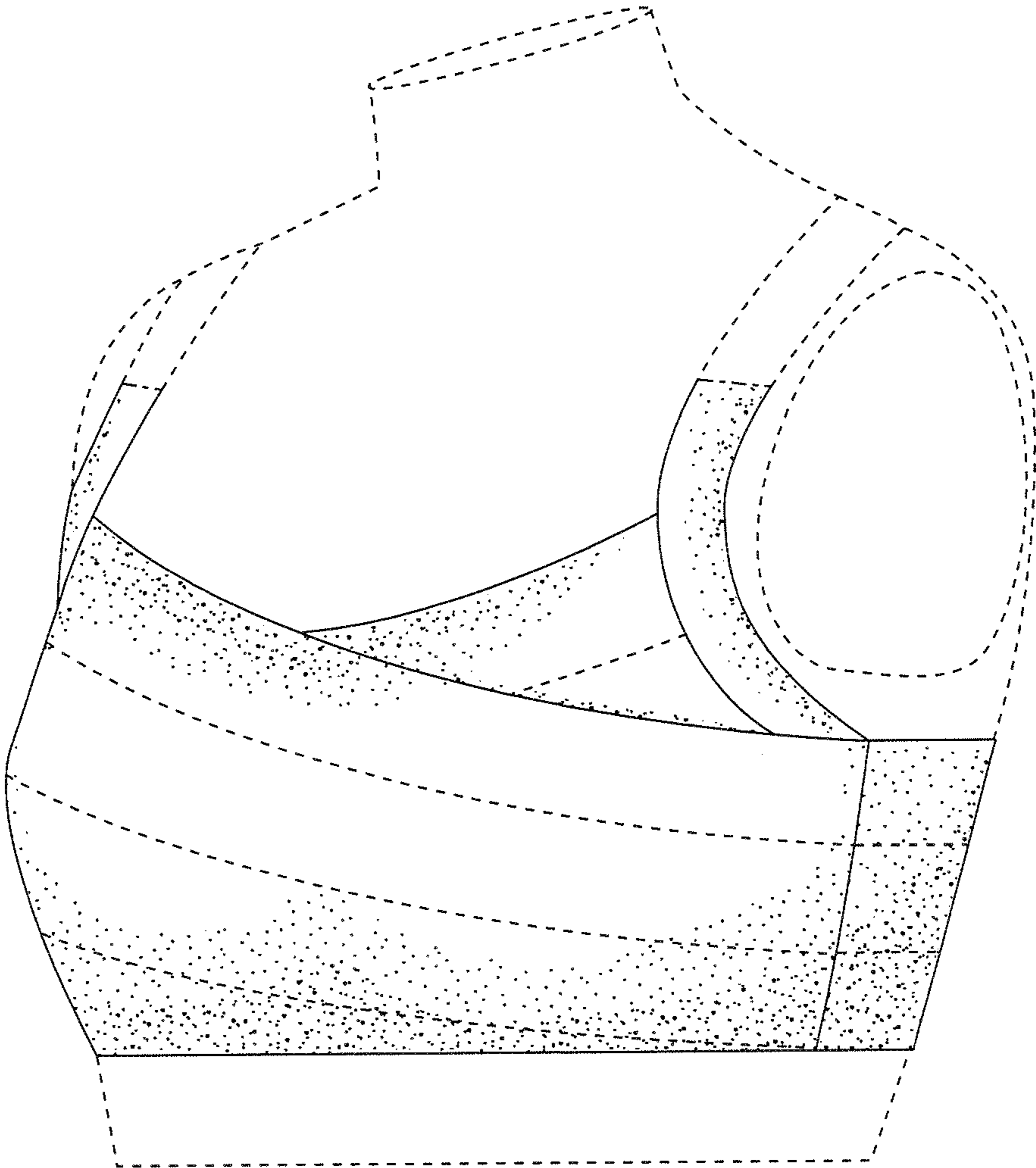


FIG. 1

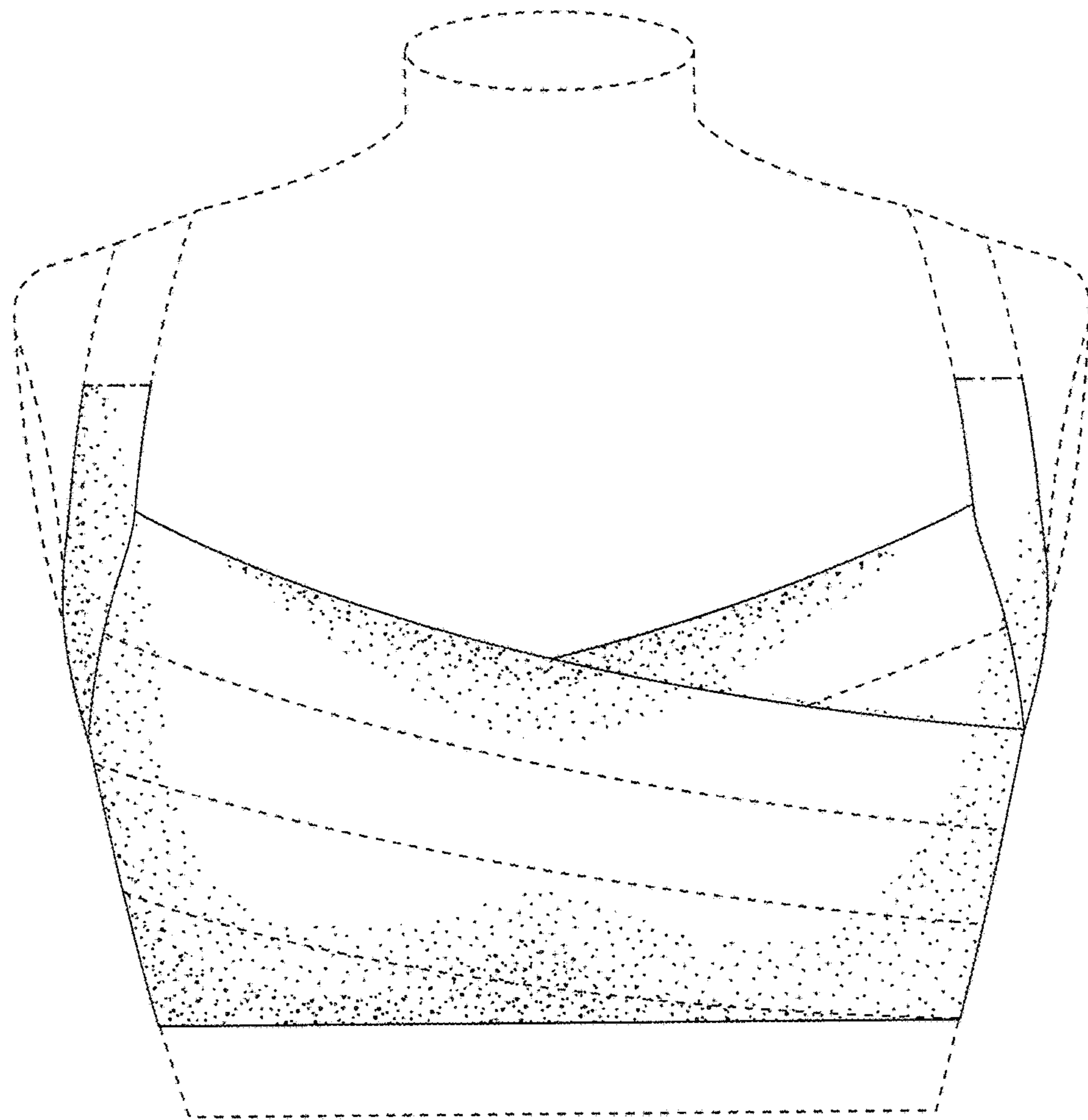


FIG. 2

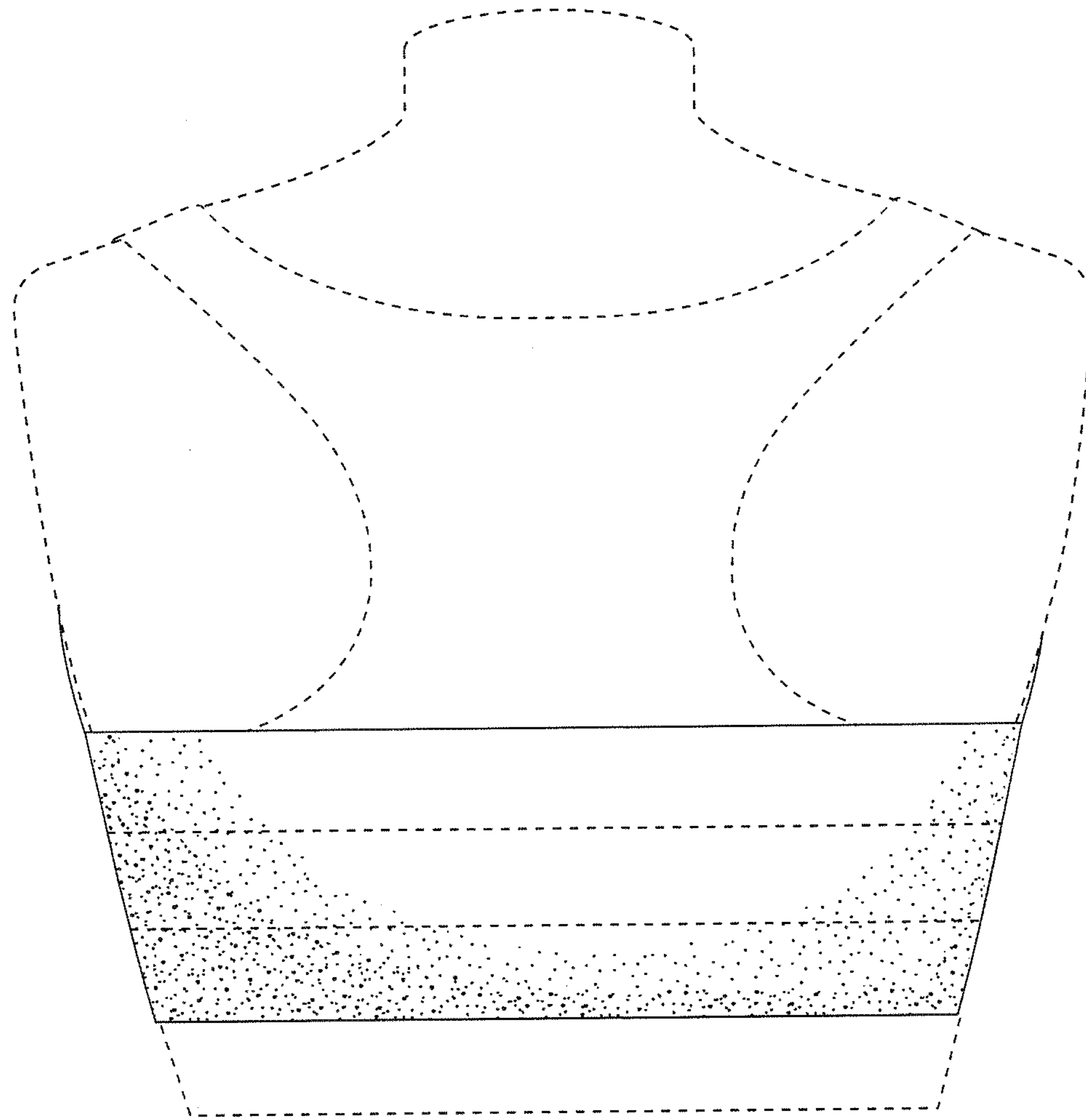


FIG. 3

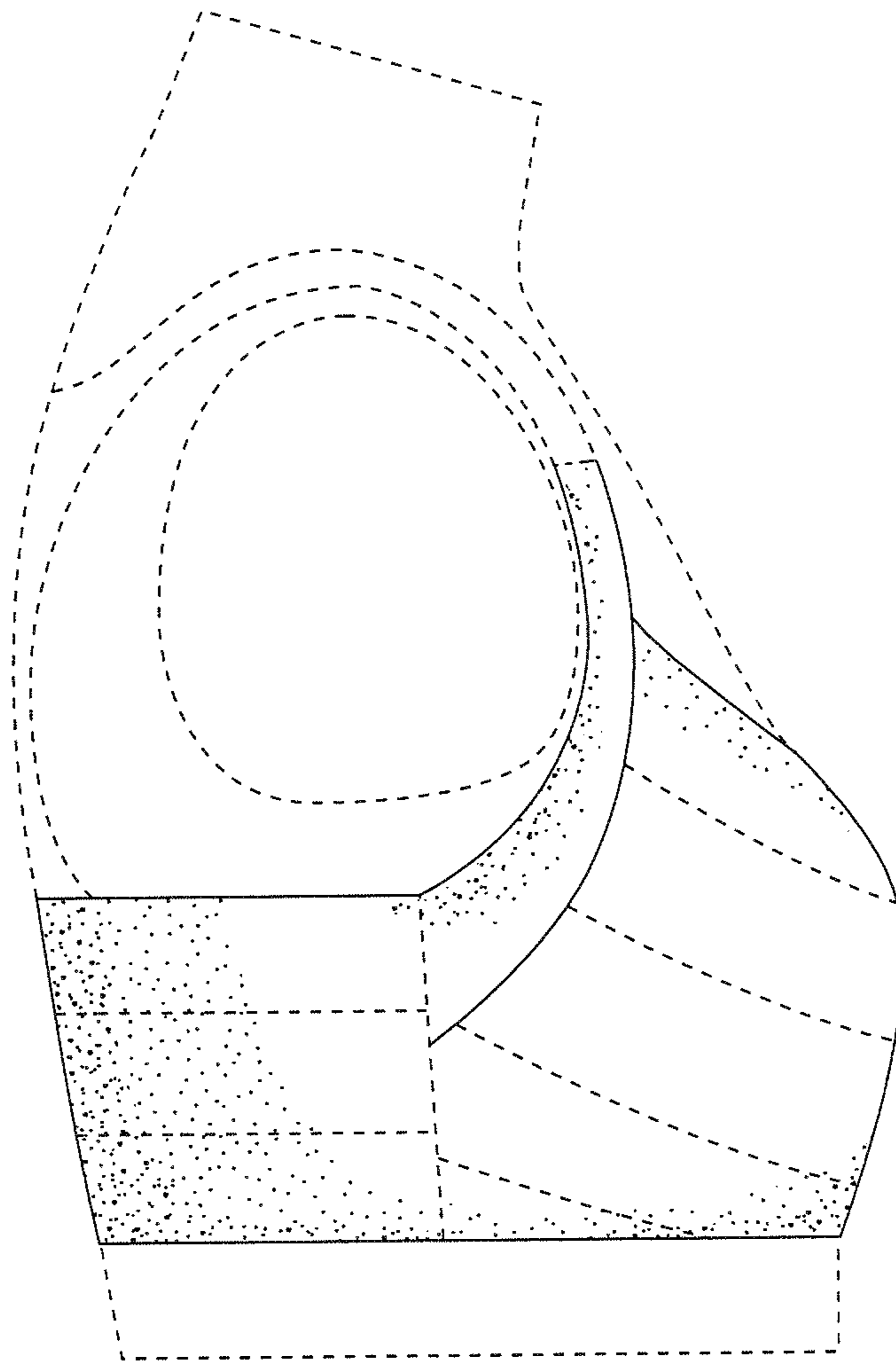


FIG. 4

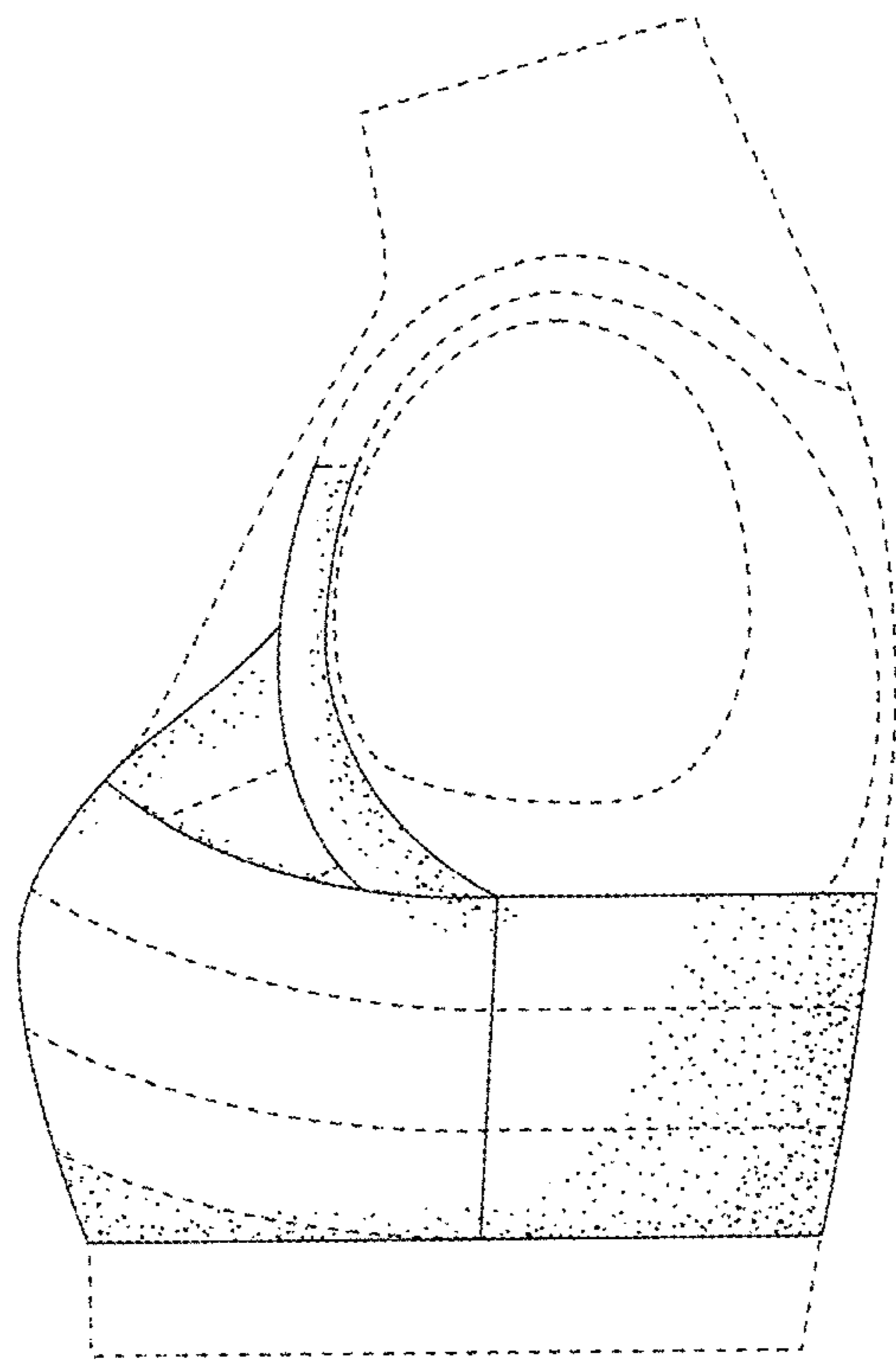


FIG. 5